



US00D911049S

(12) **United States Design Patent**
Napier

(10) **Patent No.:** **US D911,049 S**

(45) **Date of Patent:** **** Feb. 23, 2021**

(54) **BASSINET FOR BABY CARRIAGE**

(71) Applicant: **CYBEX GmbH**, Bayreuth (DE)

(72) Inventor: **Petra Napier**, Bayreuth (DE)

(73) Assignee: **Cybex GmbH**, Bayreuth (DE)

(**) Term: **15 Years**

(21) Appl. No.: **35/507,457**

(22) Filed: **Mar. 18, 2019**

(80) **Hague Agreement Data**

Int. Filing Date: **Mar. 18, 2019**

Int. Reg. No.: **DM/202790**

Int. Reg. Date: **Mar. 18, 2019**

Int. Reg. Pub. Date: **Sep. 20, 2019**

(30) **Foreign Application Priority Data**

Sep. 19, 2018 (EM) 005649118-0014

(51) **LOC (13) Cl.** **06-01**

(52) **U.S. Cl.**
USPC **D6/333; D12/129**

(58) **Field of Classification Search**

USPC D12/128-133; D6/333, 344, 382, 385,
D6/386, 390, 391, 392, 718, 718.26
CPC . B62B 7/00-04; B62B 7/147; B62B 9/00-28;
A47D 9/00; A47D 9/02; A47D 9/005;
A47D 7/03

See application file for complete search history.

(56) **References Cited**

U.S. PATENT DOCUMENTS

2,777,706 A * 1/1957 Welsh B62B 7/12
280/31

4,836,573 A * 6/1989 Gebhard B62B 7/147
280/47.38

D336,234 S * 6/1993 Burgin D8/323
5,947,552 A * 9/1999 Wilkins A47C 7/66
297/16.1

D432,464 S * 10/2000 Gehr, Jr. D12/129

D526,601 S * 8/2006 Oxseth D12/129

D527,316 S * 8/2006 Oxseth D12/129

D575,535 S * 8/2008 Bizzell D6/333

D577,918 S * 10/2008 Bizzell D6/333

D631,402 S * 1/2011 Bagwell D12/129

D640,483 S * 6/2011 Daley A47D 9/005
D6/333

D699,635 S * 2/2014 Slotteroy D12/133

D804,200 S * 12/2017 Ka Hung D6/333

D818,400 S * 5/2018 Barenbrug D12/133

9,980,579 B2 * 5/2018 Walker A47D 13/02

D839,625 S * 2/2019 Sclare D6/390

10,524,594 B2 * 1/2020 Yang A47G 9/083

2017/0360216 A1 * 12/2017 Sclare A47D 9/02

* cited by examiner

Primary Examiner — Darlington Ly

(74) *Attorney, Agent, or Firm* — Boyle Fredrickson. S.C.

(57) **CLAIM**

The ornamental design for a bassinet for baby carriage, as shown and described.

DESCRIPTION

1. Bassinet for baby carriage

1.1 is a front, top, and left side perspective view of a bassinet for baby carriage showing our new design;

1.2 is a front elevation view thereof;

1.3 is a rear elevation view thereof;

1.4 is a left side elevation view thereof;

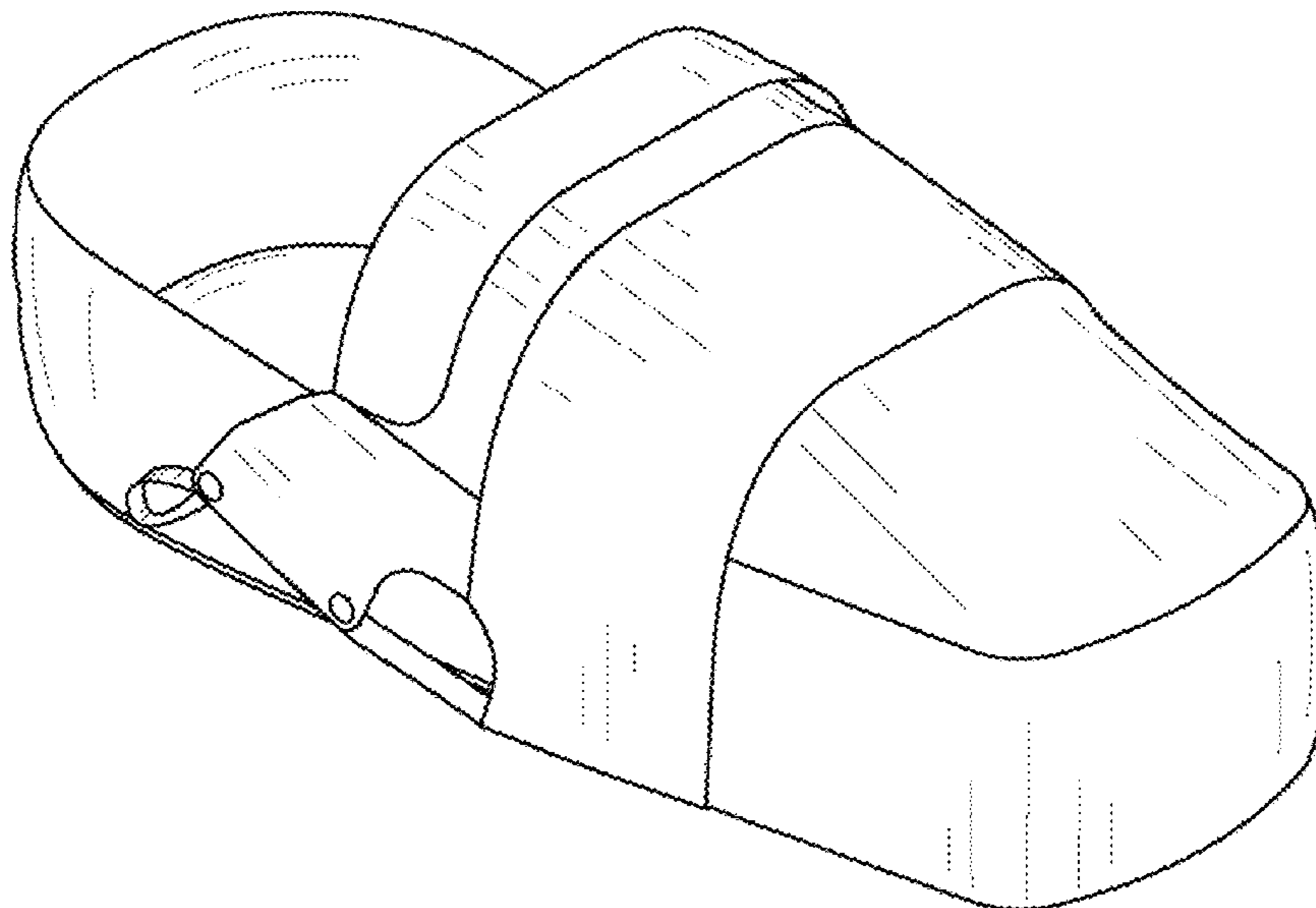
1.5 is a right side elevation view thereof;

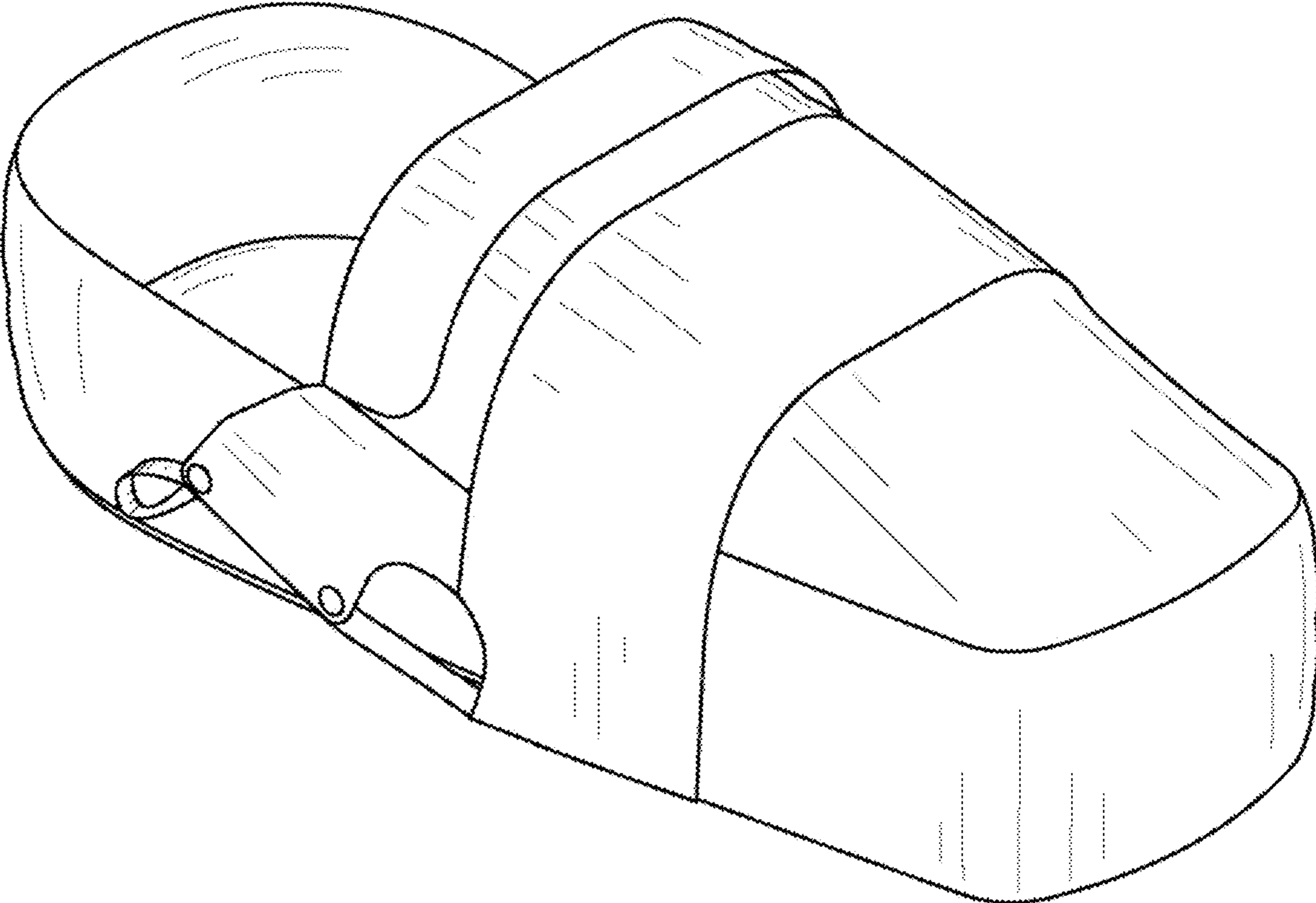
1.6 is a top plan view thereof; and

1.7 is a bottom plan view thereof.

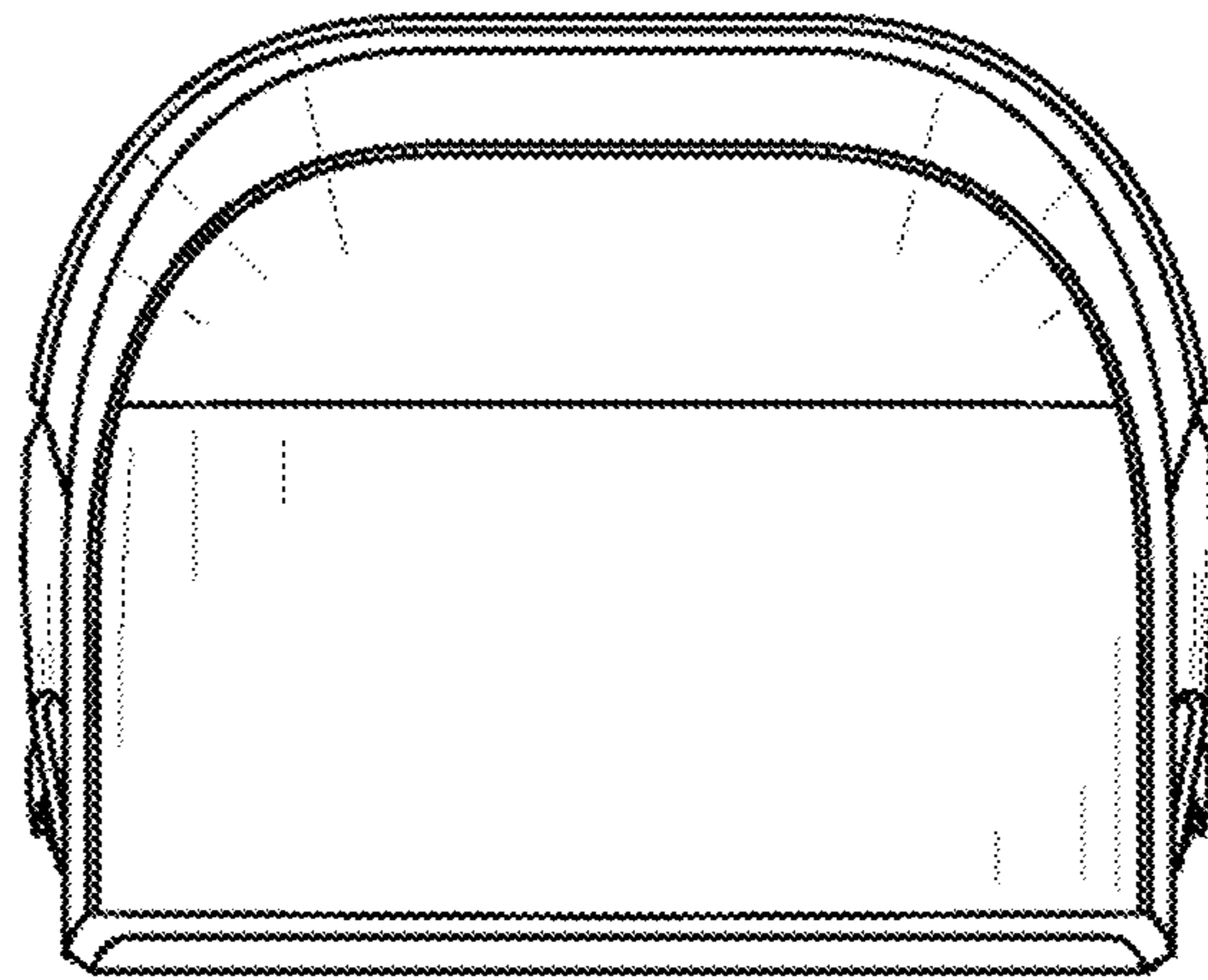
The broken lines in the drawings depict portions of the bassinet for baby carriage that form no part of the claim.

1 Claim, 7 Drawing Sheets

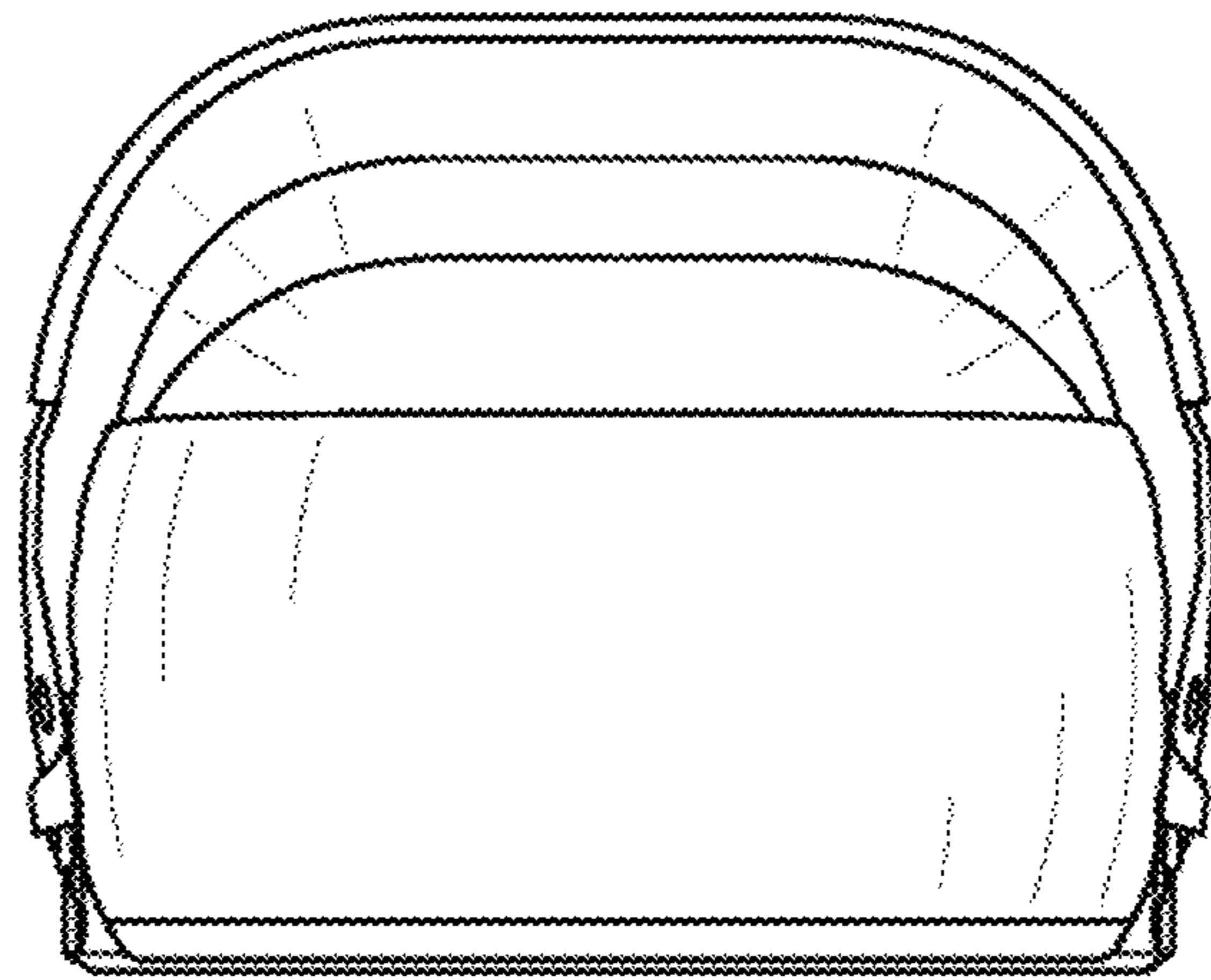




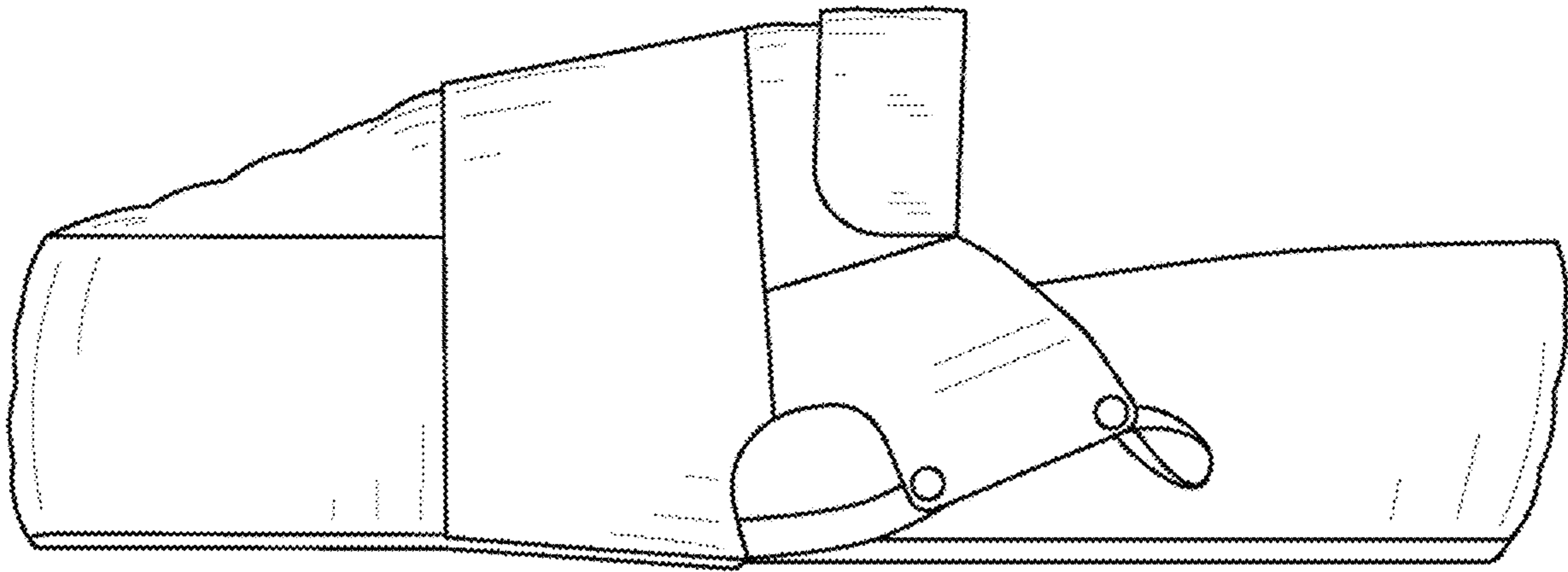
1.1



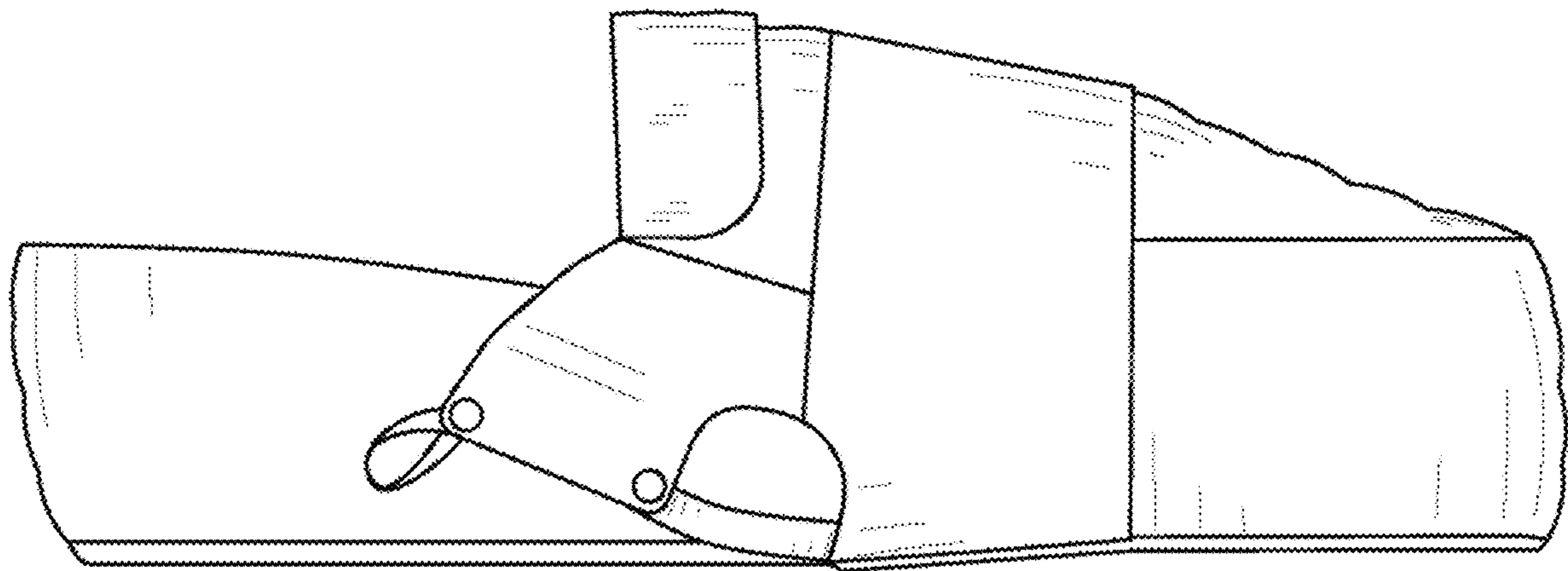
1.2



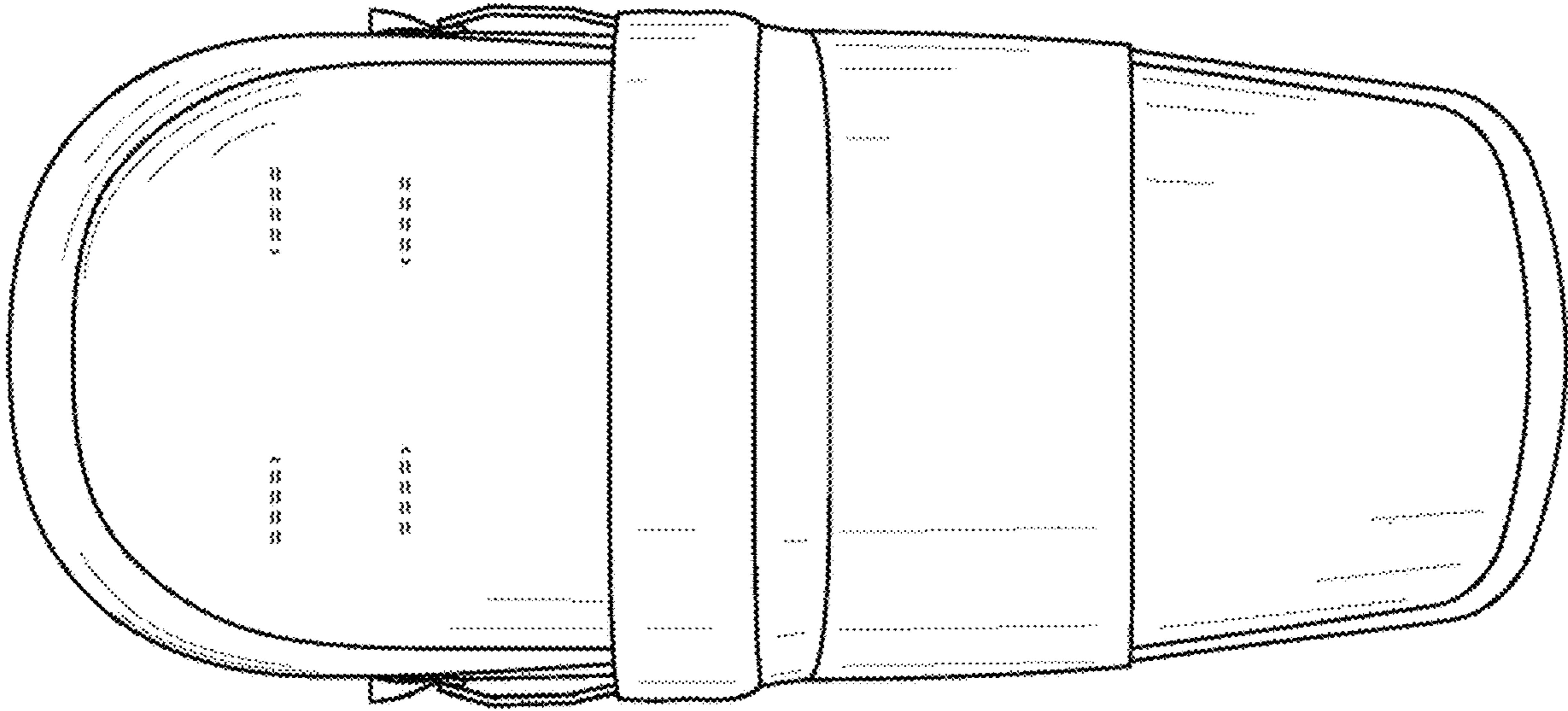
1.3



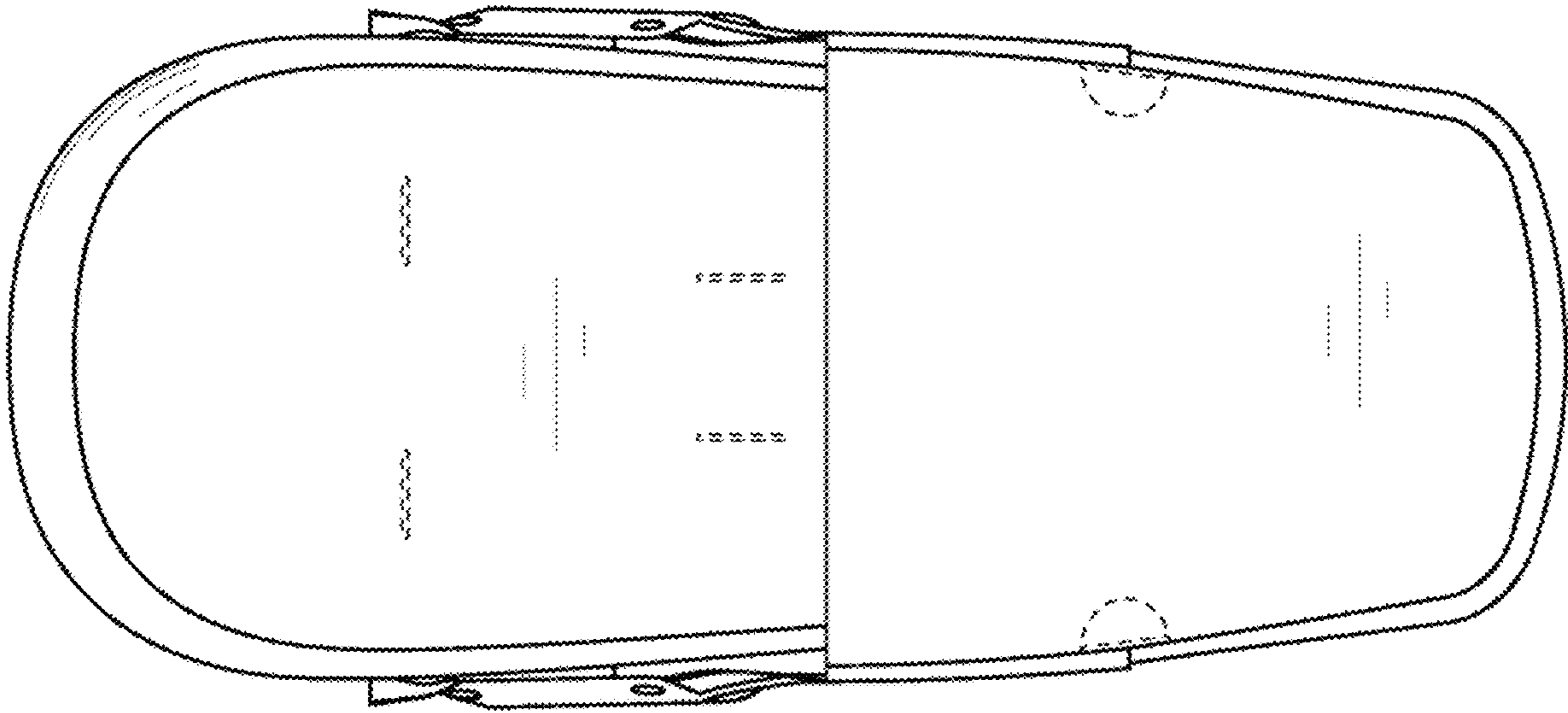
1.4



1.5



1.6



1.7