



US00D911046S

(12) **United States Design Patent** (10) **Patent No.:** **US D911,046 S**  
**DiLorenzo et al.** (45) **Date of Patent:** **\*\* Feb. 23, 2021**

- (54) **FOOTWEAR HANGER**
- (71) Applicant: **TYR Sport, Inc.**, Farmingdale, NY (US)
- (72) Inventors: **Matthew Vito DiLorenzo**, New York, NY (US); **Sunki Jeon**, Palisades Park, NJ (US); **Yang Wang**, Syosset, NY (US); **Jimmy Cai**, New York, NY (US)
- (73) Assignee: **TYR Sport, Inc.**, Farmingdale, NY (US)

- D297,483 S \* 9/1988 Yann-San ..... D6/315  
 4,768,657 A \* 9/1988 Lonow ..... A47G 25/005  
 211/113  
 D327,371 S \* 6/1992 Walker ..... D6/318  
 D355,980 S \* 3/1995 Dallaire ..... D6/318  
 5,718,358 A \* 2/1998 Long ..... A47G 25/442  
 223/85  
 D412,405 S \* 8/1999 Webb ..... D6/315

(Continued)

*Primary Examiner* — Lauren R Calve

(74) *Attorney, Agent, or Firm* — Stetina Brunda Garred and Brucker

(\*\*) Term: **15 Years**

(57) **CLAIM**

(21) Appl. No.: **29/700,714**

The ornamental design for a footwear hanger, as shown and described.

(22) Filed: **Aug. 5, 2019**

**DESCRIPTION**

(51) **LOC (13) Cl.** ..... **06-08**

(52) **U.S. Cl.**  
USPC ..... **D6/326; D6/552**

(58) **Field of Classification Search**  
USPC ..... D6/315–328, 672, 682, 512, 513, 552, D6/553, 556, 567, 574  
CPC .... A47G 25/28; A47G 25/487; A47G 25/485; A47G 25/473; A47G 25/66; A47G 25/36; A47G 25/48; A47G 25/50; A47G 25/34; A47G 25/445; A47G 2025/1492; A47F 5/0006; A47F 7/19

See application file for complete search history.

FIG. 1 is a front perspective view of a footwear hanger of the present invention showing our new design in use in a first operational configuration;  
 FIG. 2 is a top plan view thereof;  
 FIG. 3 is front elevational view thereof;  
 FIG. 4 is a left end view thereof;  
 FIG. 5 is a right end view thereof;  
 FIG. 6 is a rear elevational view thereof;  
 FIG. 7 is a bottom plan view thereof;  
 FIG. 8 is a front perspective view of the footwear hanger of the present invention showing our new design in use in a second operational configuration;  
 FIG. 9 is a top plan view thereof;  
 FIG. 10 is a front elevational view thereof;  
 FIG. 11 is a right end view thereof;  
 FIG. 12 is a left end view thereof;  
 FIG. 13 is a rear elevational view thereof; and,  
 FIG. 14 is a bottom plan view thereof.

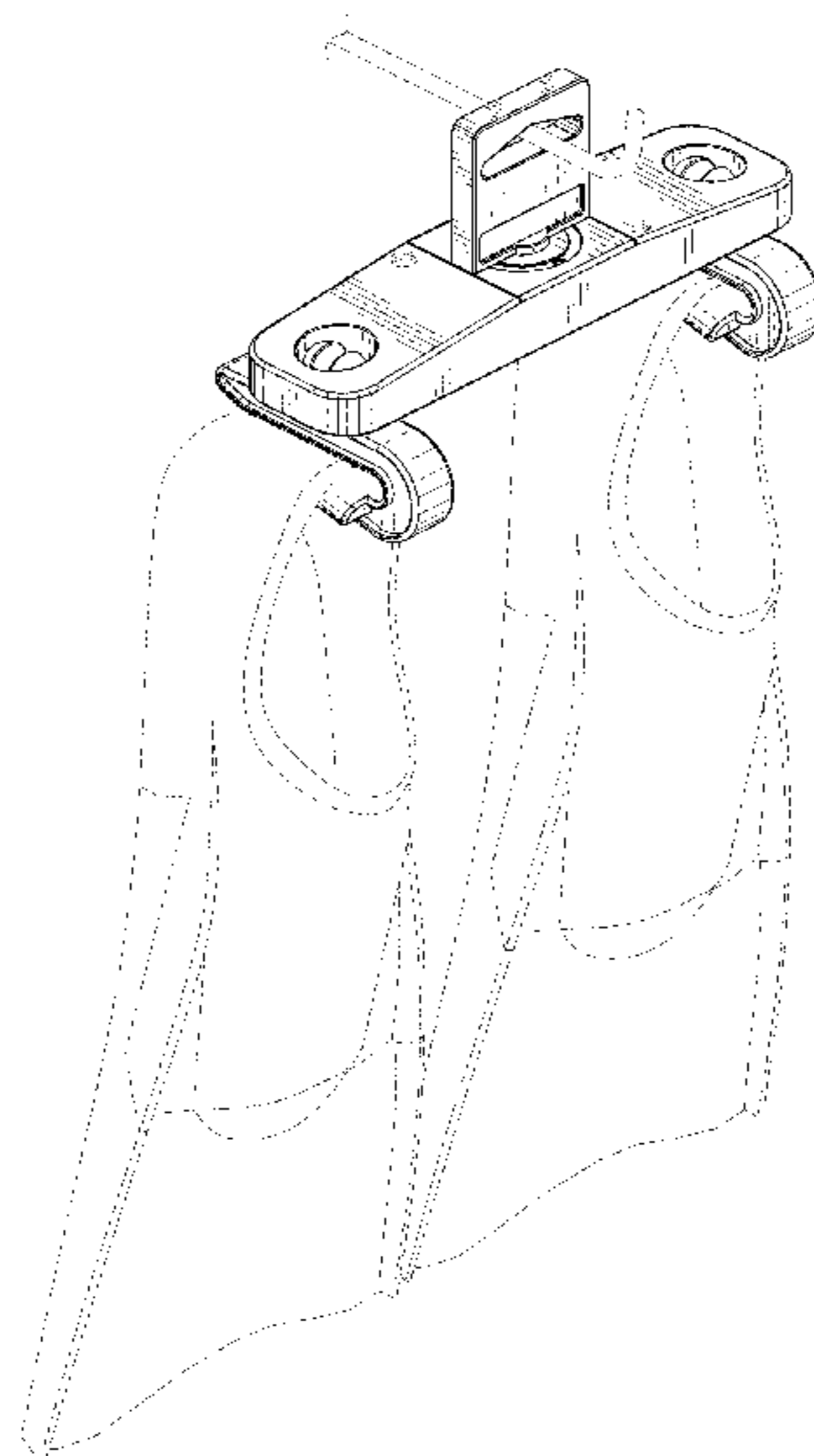
The broken lines illustrate environmental structure and portions of the hanger that form no part of the claimed design.

(56) **References Cited**

**U.S. PATENT DOCUMENTS**

- 2,426,292 A \* 8/1947 Appleman ..... A47G 25/32  
 223/90  
 2,939,588 A \* 6/1960 Nalle, Jr. .... D06F 59/00  
 211/113  
 3,102,668 A \* 9/1963 Milligan ..... A47G 25/628  
 223/95  
 3,262,617 A \* 7/1966 McDonald ..... A47G 25/622  
 223/95  
 D258,336 S \* 2/1981 Yacoe ..... D6/326

**1 Claim, 6 Drawing Sheets**





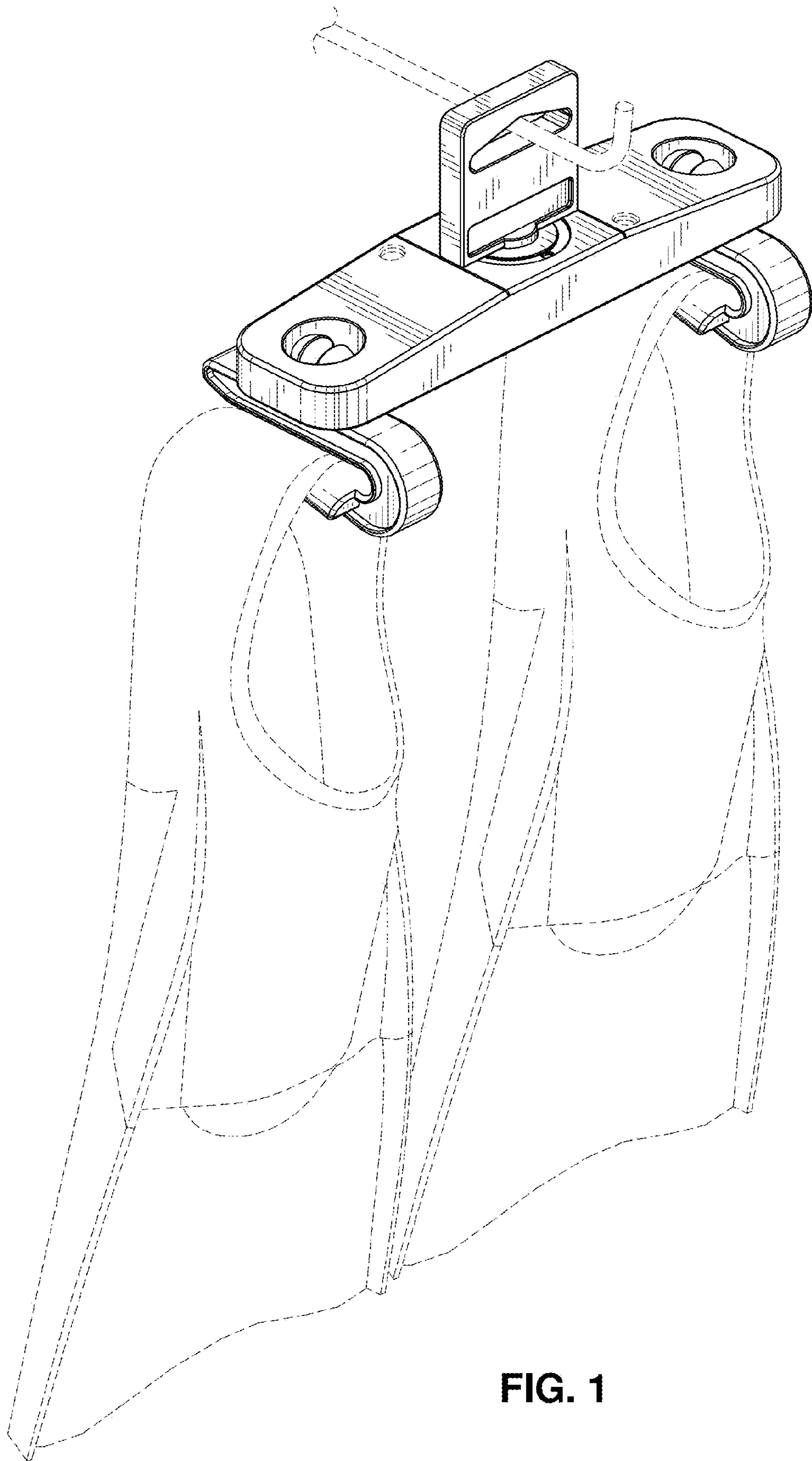


FIG. 1

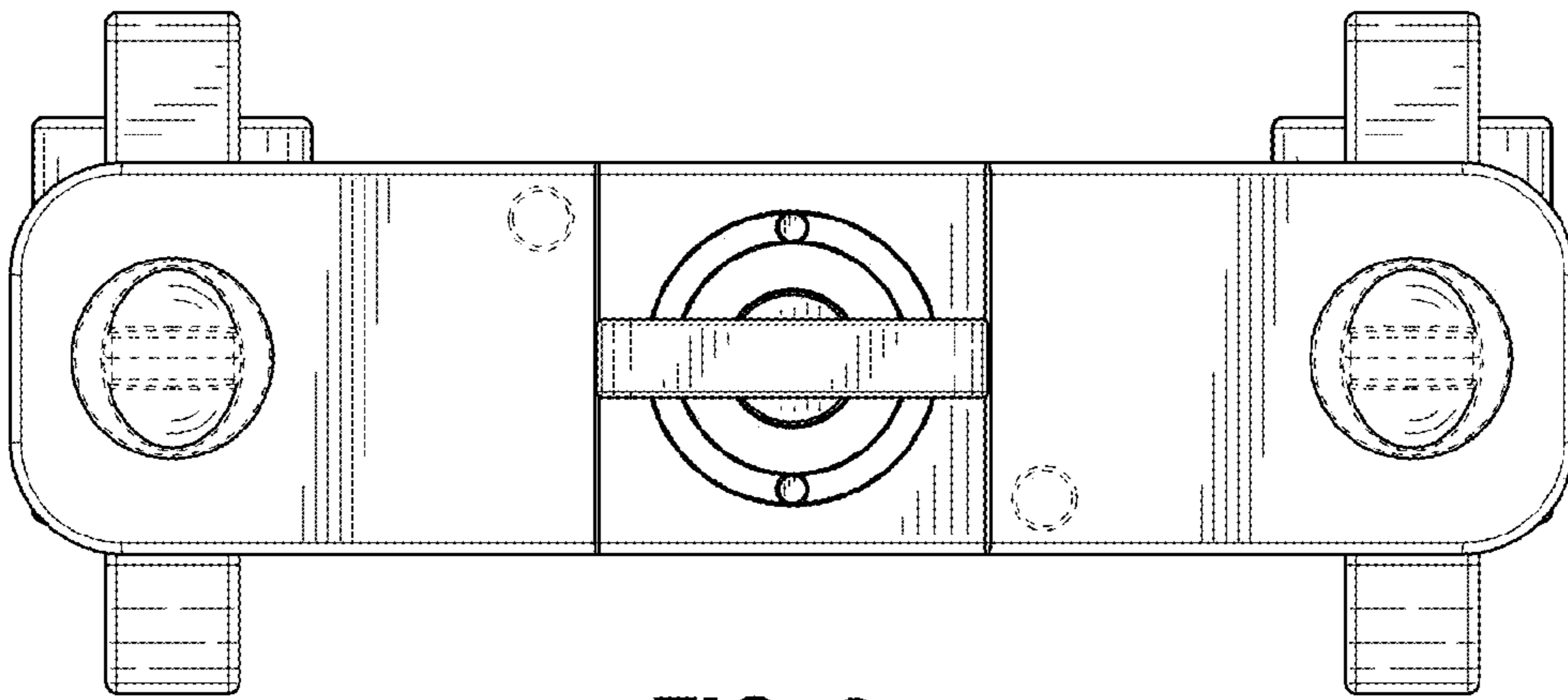


FIG. 2

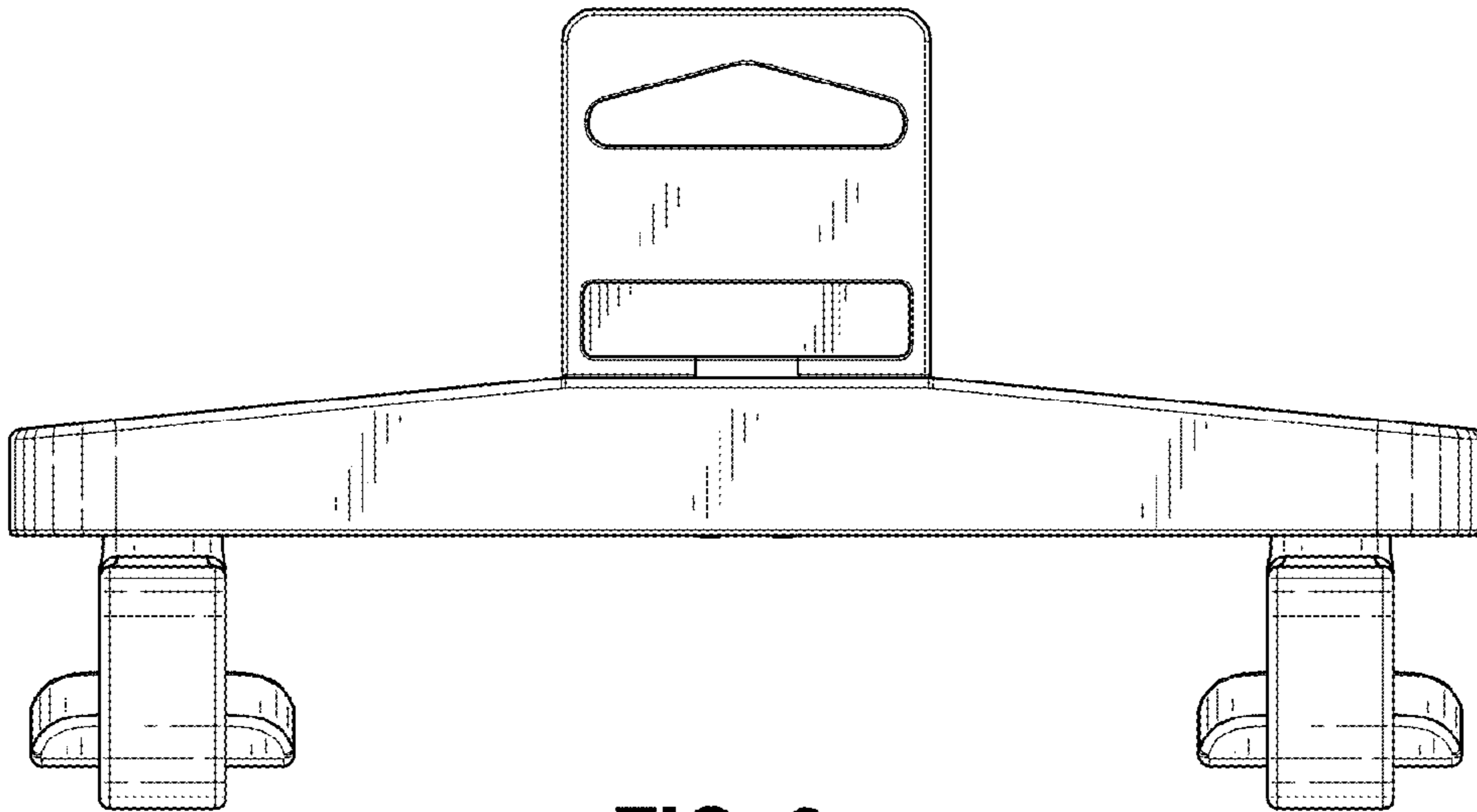


FIG. 3

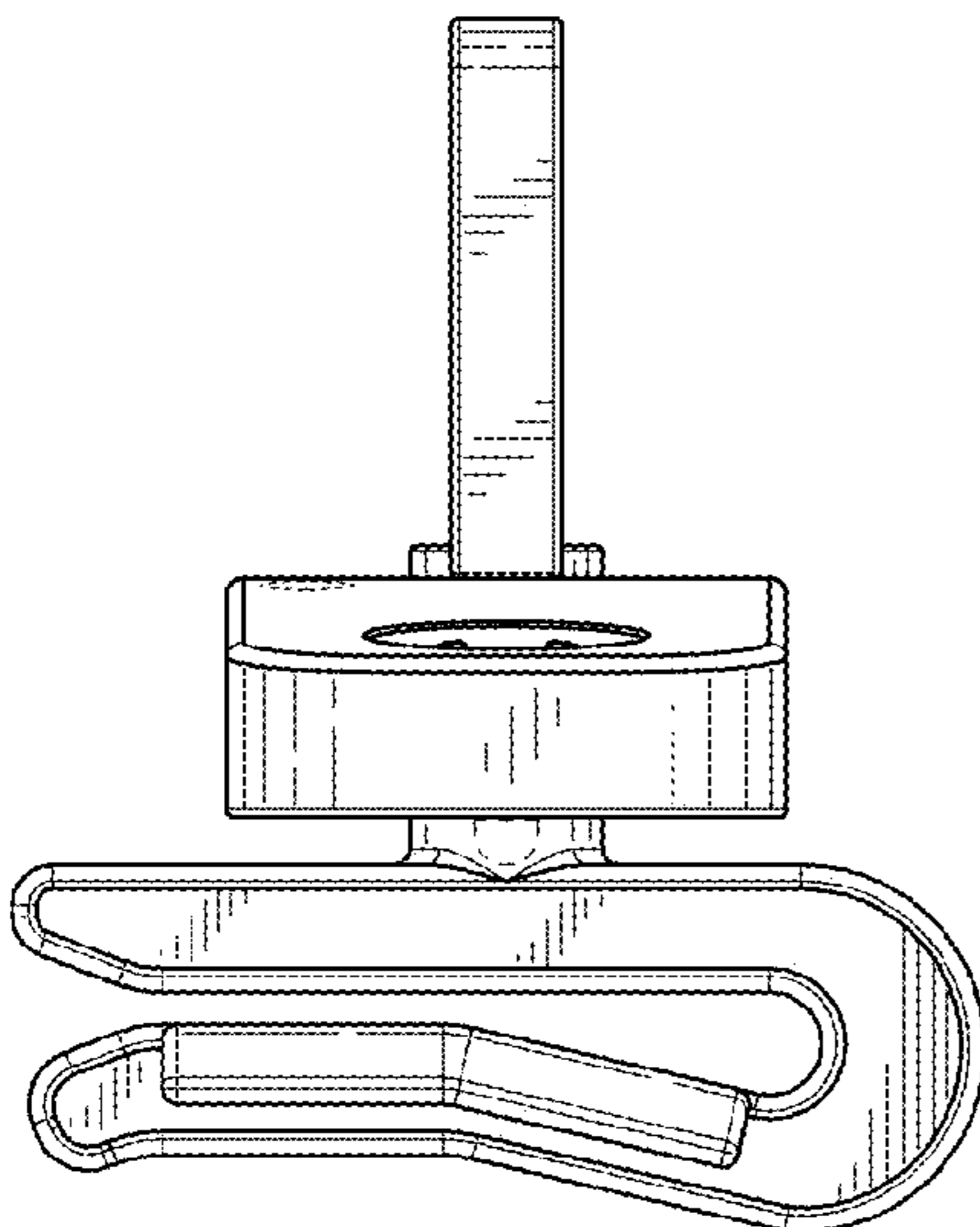


FIG. 4

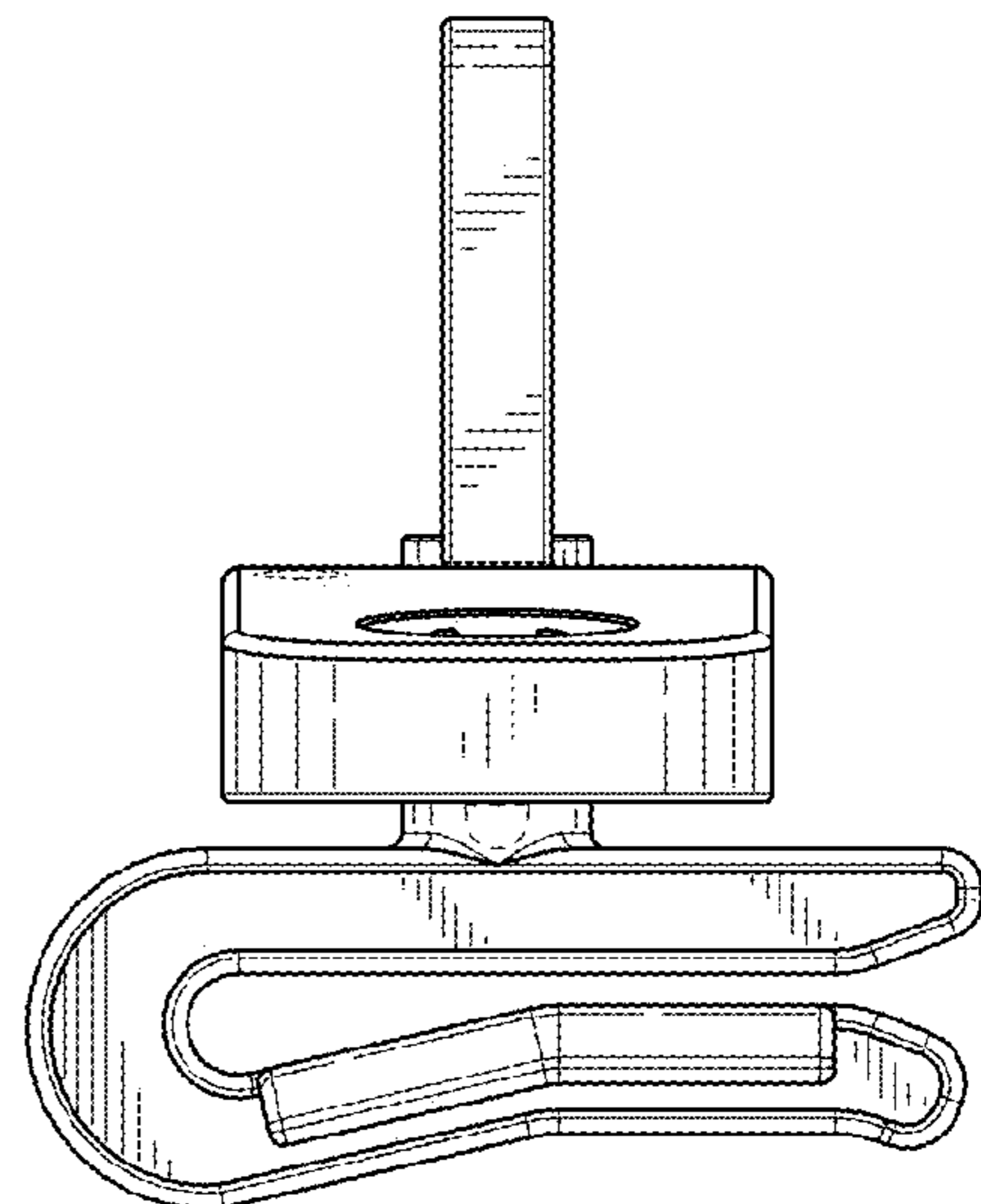


FIG. 5

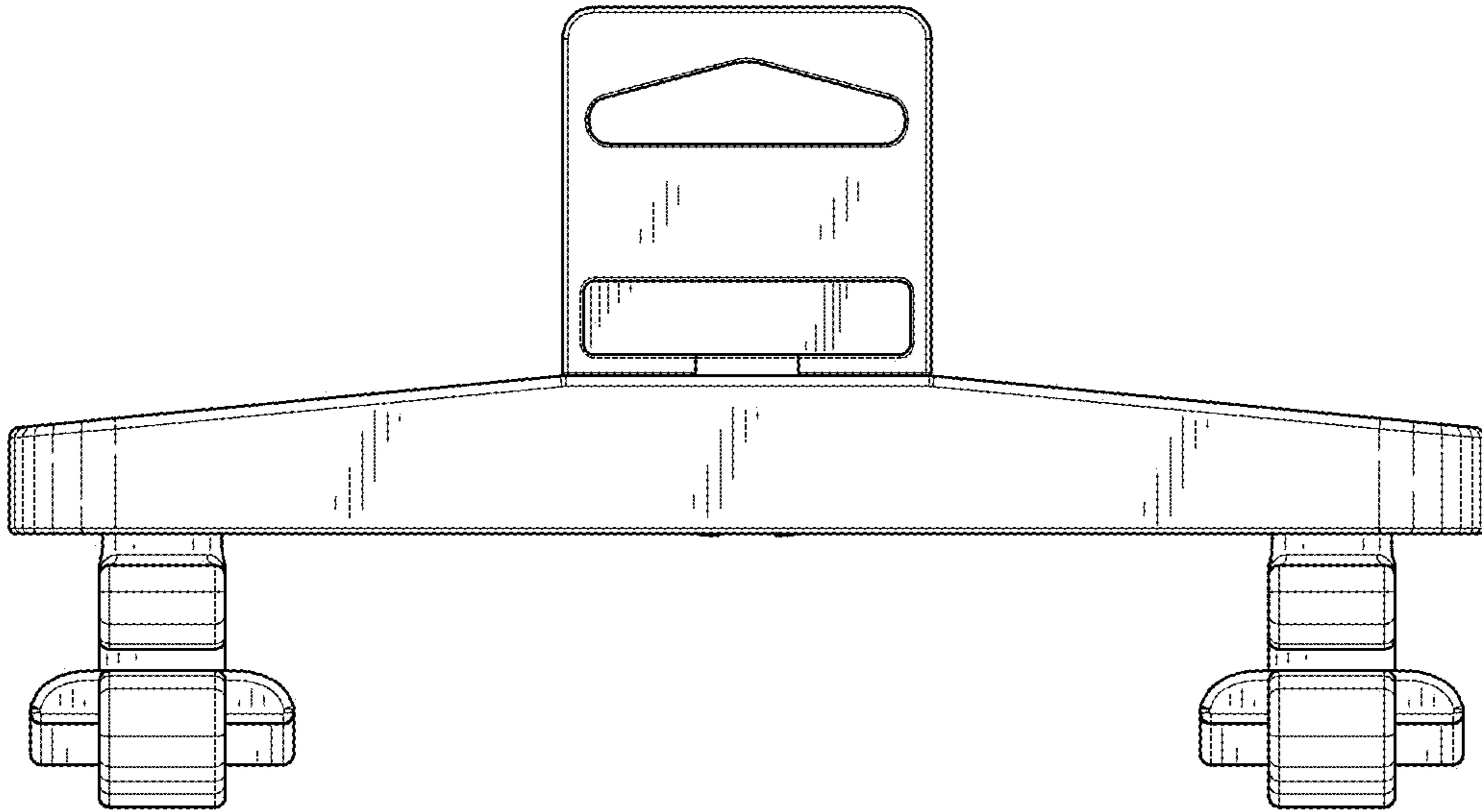


FIG. 6

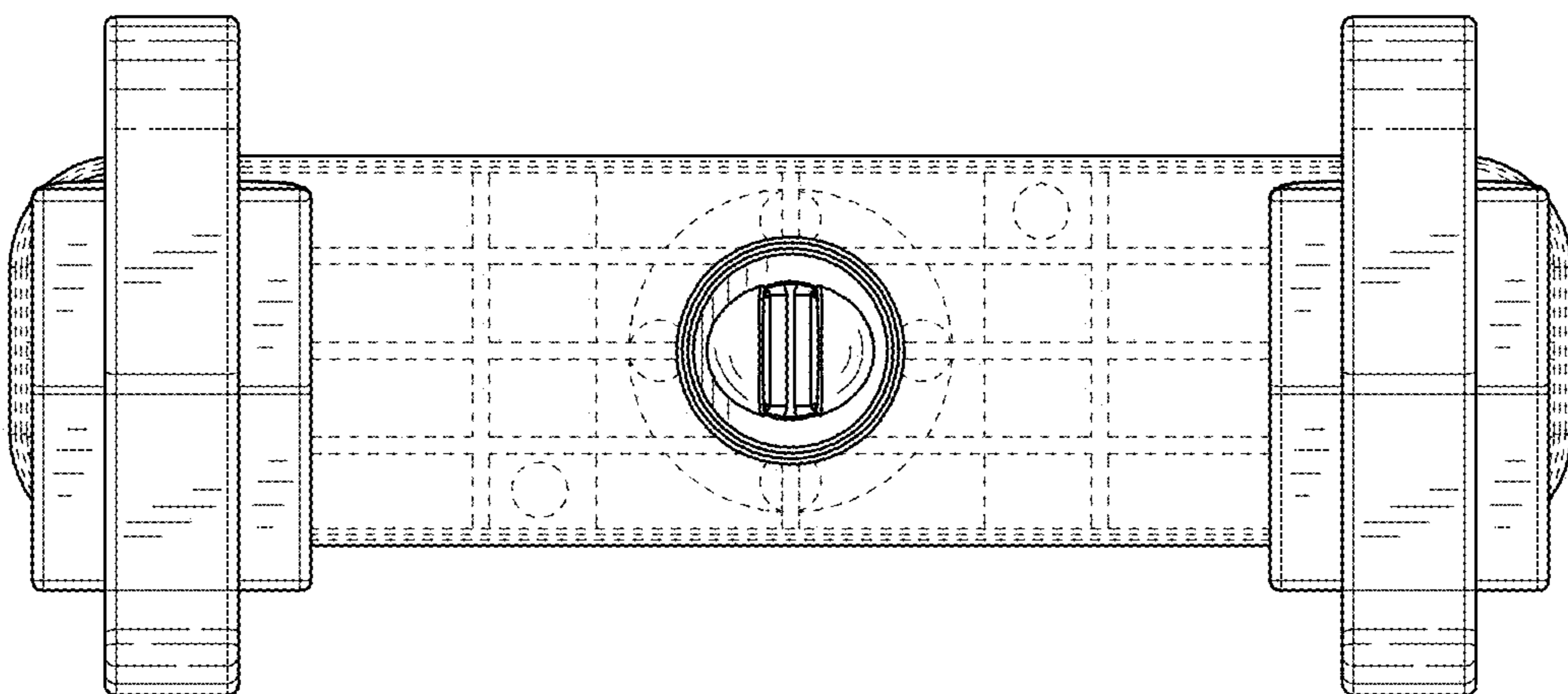


FIG. 7

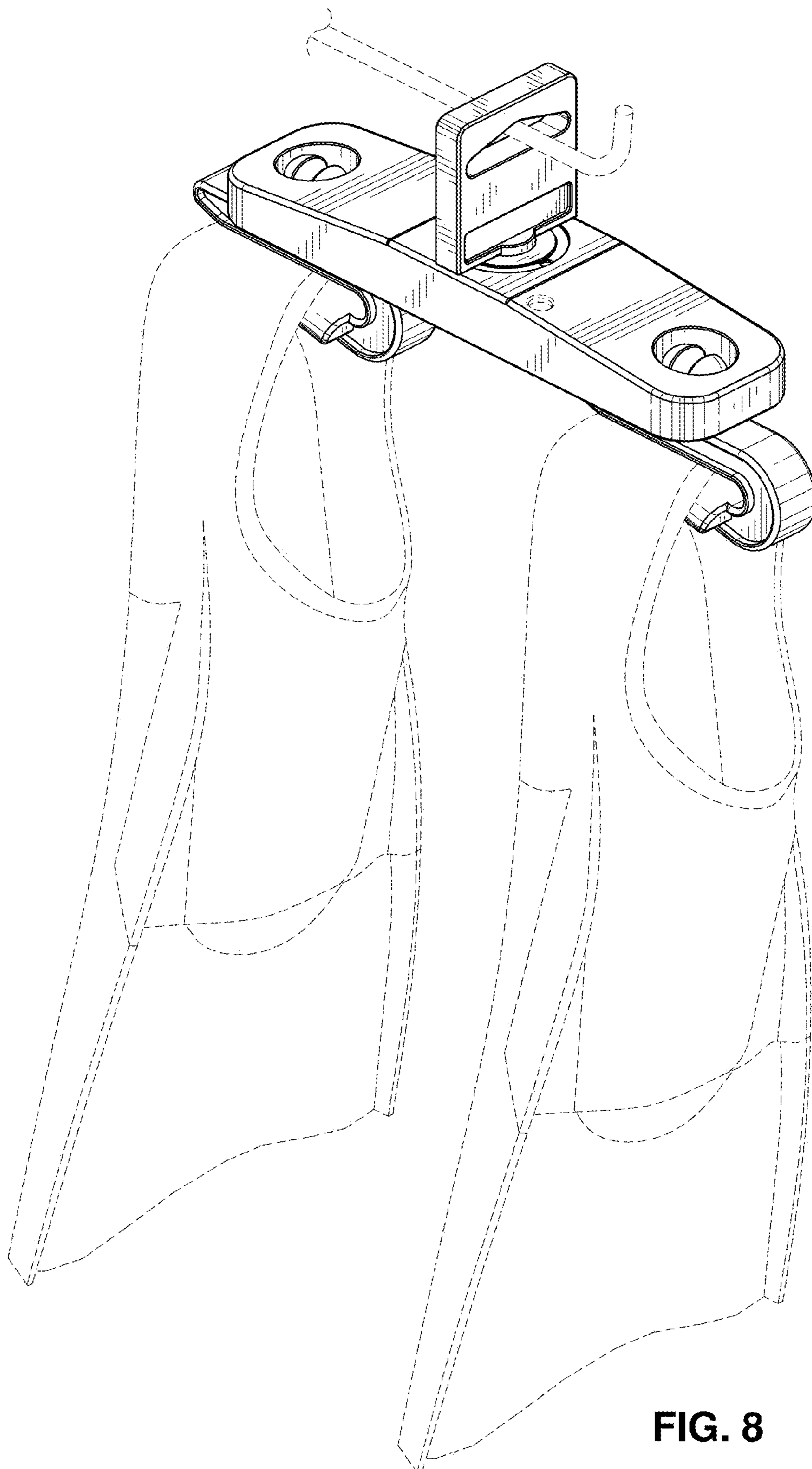


FIG. 8

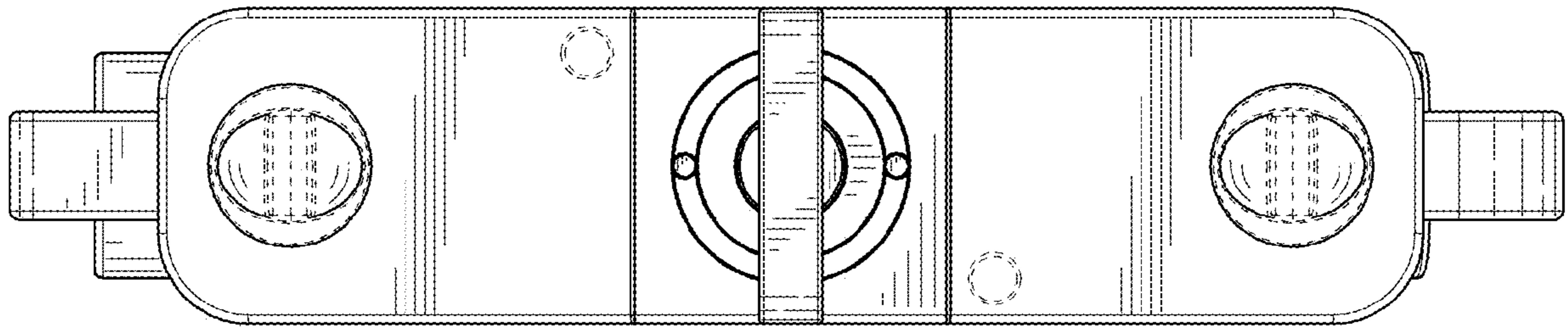


FIG. 9

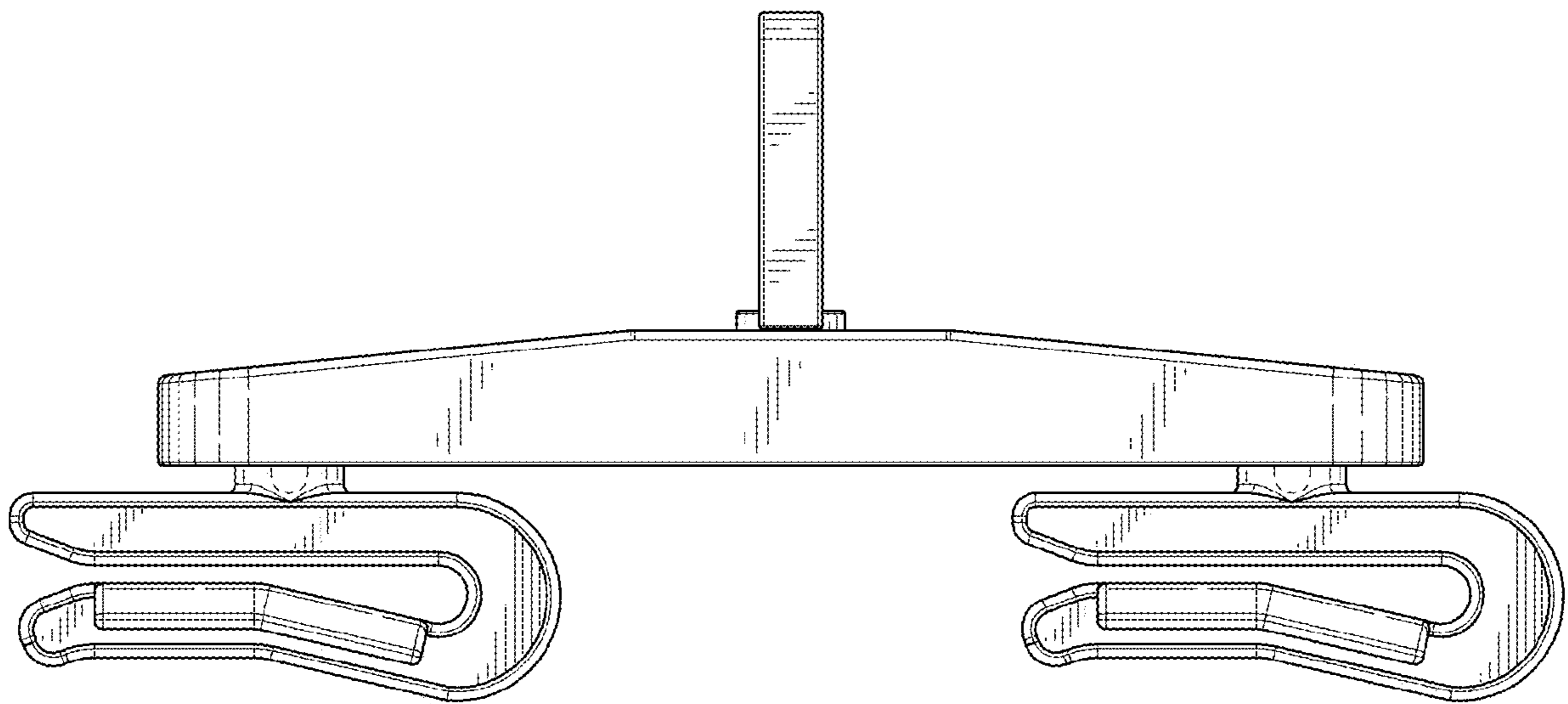


FIG. 10

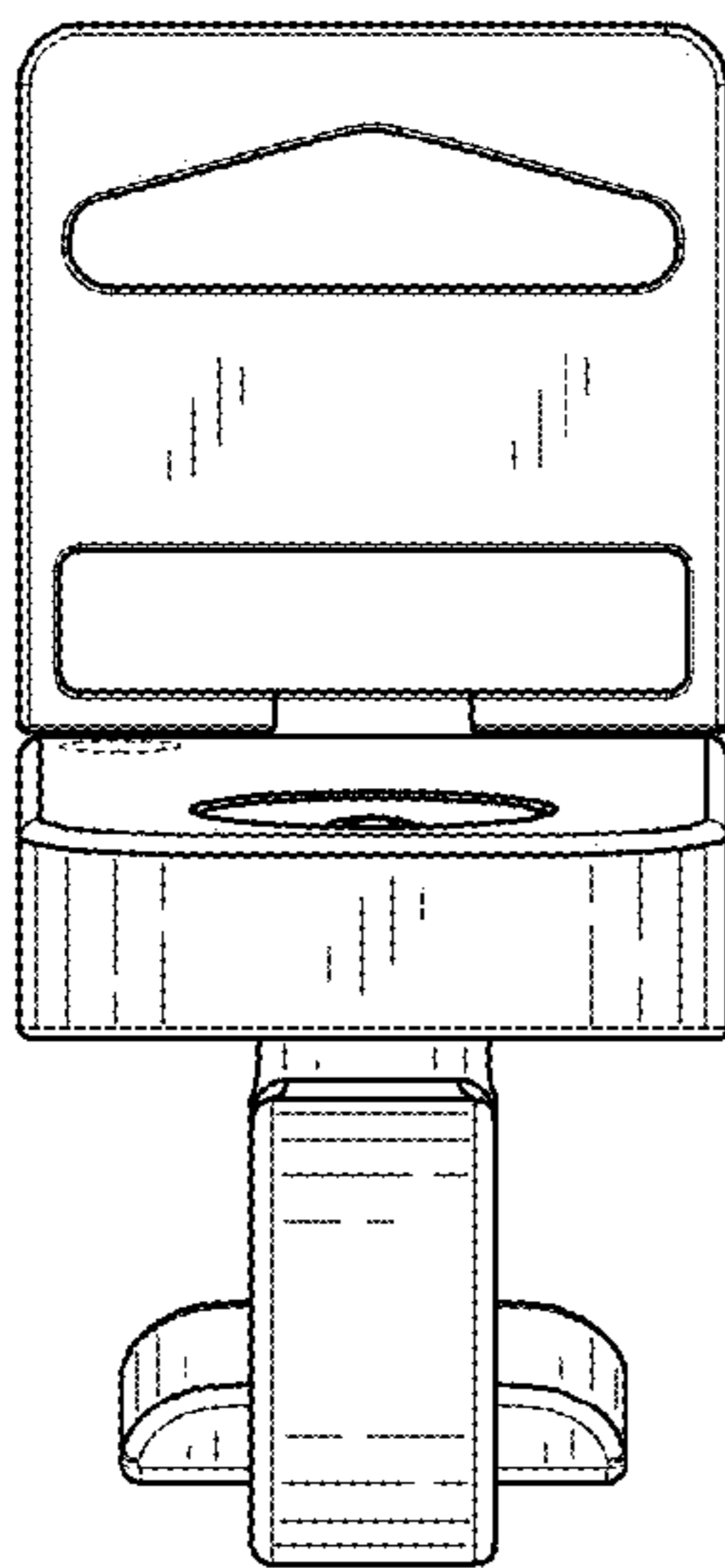


FIG. 11

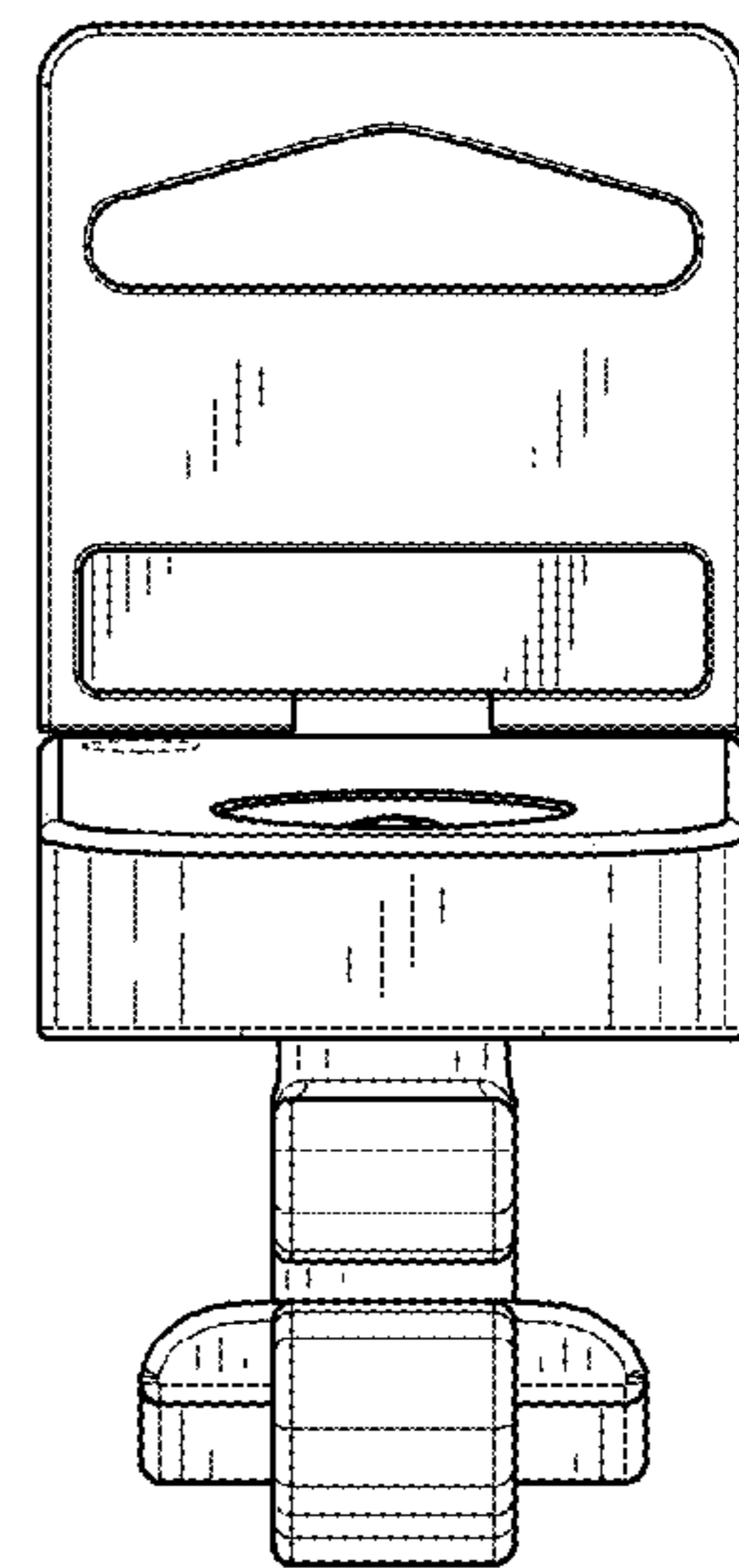


FIG. 12

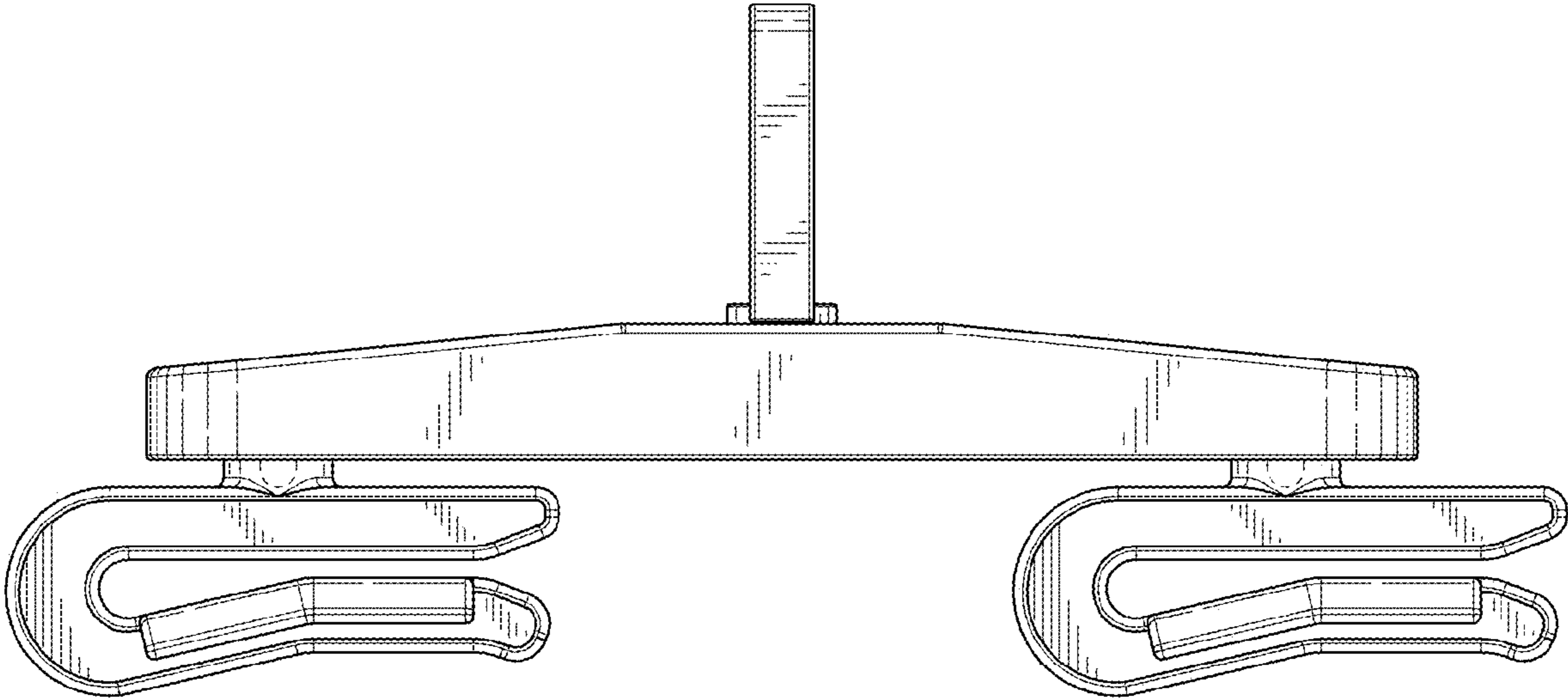


FIG. 13

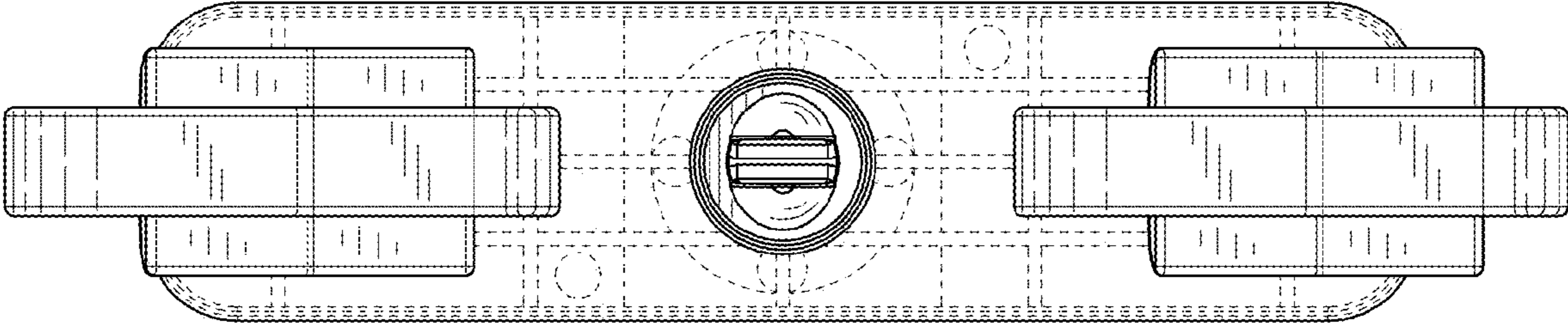


FIG. 14