



US00D911037S

(12) **United States Design Patent** (10) **Patent No.:** **US D911,037 S**
Rodriguez et al. (45) **Date of Patent:** **** Feb. 23, 2021**

(54) **PASTRY BRUSH**
(71) Applicants: **Brandon Rodriguez**, Coral Gables, FL (US); **Mason Adam Umholtz**, Sunnyvale, CA (US); **Edward Lee**, Brooklyn, NY (US); **Min Kim**, Jersey City, NJ (US); **Marc-Aurelien Vivant**, Brooklyn, NY (US)

D448,973 S * 10/2001 Hay D7/395
D450,459 S * 11/2001 Woodnorth D4/138
D455,559 S * 4/2002 Wang D4/132
D574,156 S * 8/2008 Davis D28/20
D646,899 S * 10/2011 Dombrowski D4/138
D790,864 S * 7/2017 Zemel D4/135
D801,699 S * 11/2017 Knittig D4/116
2010/0199449 A1 * 8/2010 Ho A46B 7/04
15/207.2

(Continued)

(72) Inventors: **Brandon Rodriguez**, Coral Gables, FL (US); **Mason Adam Umholtz**, Sunnyvale, CA (US); **Edward Lee**, Brooklyn, NY (US); **Min Kim**, Jersey City, NJ (US); **Marc-Aurelien Vivant**, Brooklyn, NY (US)

FOREIGN PATENT DOCUMENTS

CN 306000568 * 8/2020
EM 000839055-0002 * 2/2008

(73) Assignee: **Helen of Troy Limited**, St. Michael (BB)

OTHER PUBLICATIONS

OXO pastry brush [on-line]. [Retrieved from the Internet Jan. 2, 2021.] [Publicly available prior to Aug. 19, 2019.] URL: >https://www.oxo.com/categories/cooking-and-baking/specialty-use/baking-and-pastry-tools/1-1-2-pastry-brush-317.html< (Year: 2019).*

(**) Term: **15 Years**

Primary Examiner — Karen E Eldridge Powers
(74) *Attorney, Agent, or Firm* — Rankin, Hill & Clark LLP

(21) Appl. No.: **29/702,385**

(22) Filed: **Aug. 19, 2019**

(51) **LOC (13) Cl.** **04-01**

(52) **U.S. Cl.**
USPC **D4/138; D4/135**

(58) **Field of Classification Search**
USPC D4/100, 102, 109, 114, 115, 116, 117, D4/118, 119, 120, 121, 122, 123, 124, D4/125, 126, 127, 128, 129, 130, 131, D4/132, 133, 134, 135, 136, 137, 138, D4/199; D32/40, 41, 42, 46, 49, 50, 51; 15/245
CPC A46B 5/02; A46B 2200/3013; A46B 2200/3006; A46B 2200/3073; A46B 5/021; A46B 5/0016; A46B 9/005; A46B 2200/3033; A47L 17/00
See application file for complete search history.

(57) **CLAIM**

The ornamental design for a pastry brush, as shown, and described.

DESCRIPTION

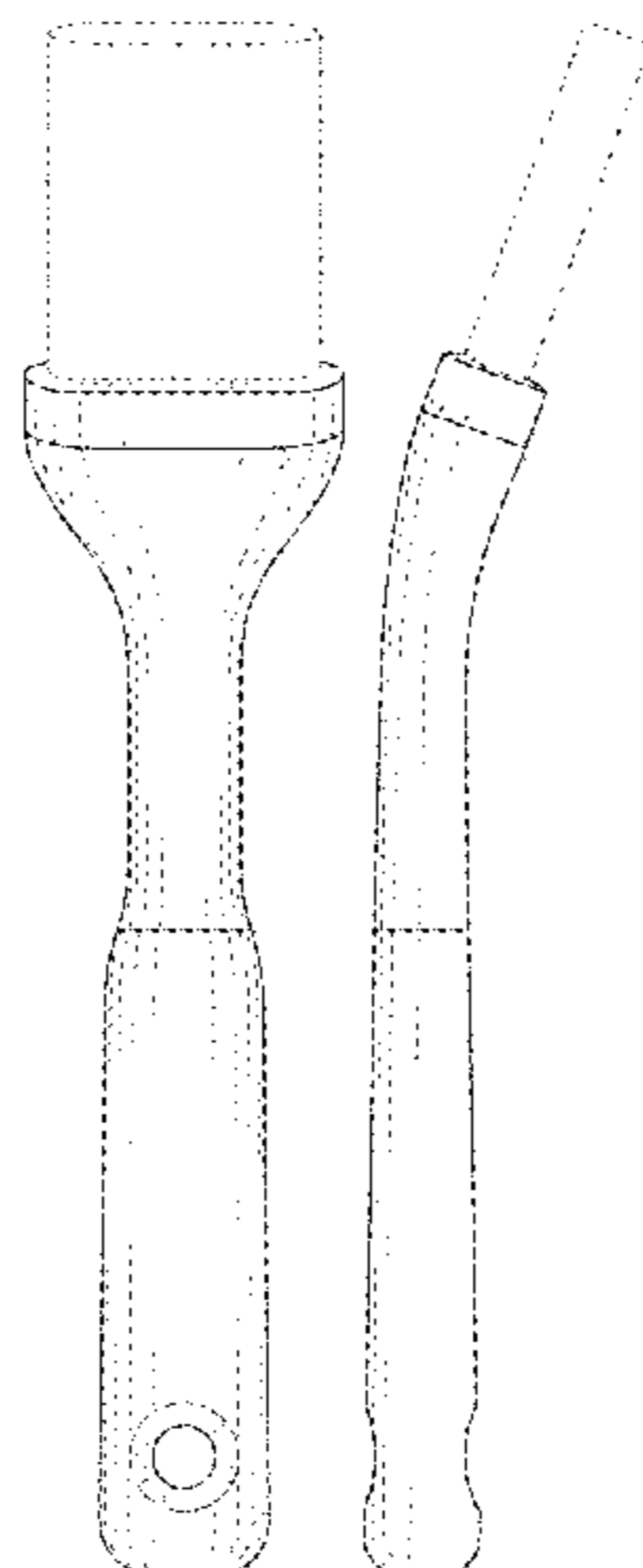
FIG. 1 is a perspective view of a pastry brush; FIG. 2 is a front elevation view thereof; FIG. 3 is a rear elevation view thereof; FIG. 4 is a right side elevation view thereof, the left side elevation view being a mirror image thereof; FIG. 5 is a top plan view thereof; and, FIG. 6 is a bottom plan view thereof. The broken lines represent unclaimed matter and form no part of the claimed design.

(56) **References Cited**

U.S. PATENT DOCUMENTS

D405,614 S * 2/1999 Geardino D28/25
D441,963 S * 5/2001 Harris D4/118

1 Claim, 6 Drawing Sheets



(56)

References Cited

U.S. PATENT DOCUMENTS

2010/0239359 A1 * 9/2010 Repp A46B 11/0013
401/282

* cited by examiner

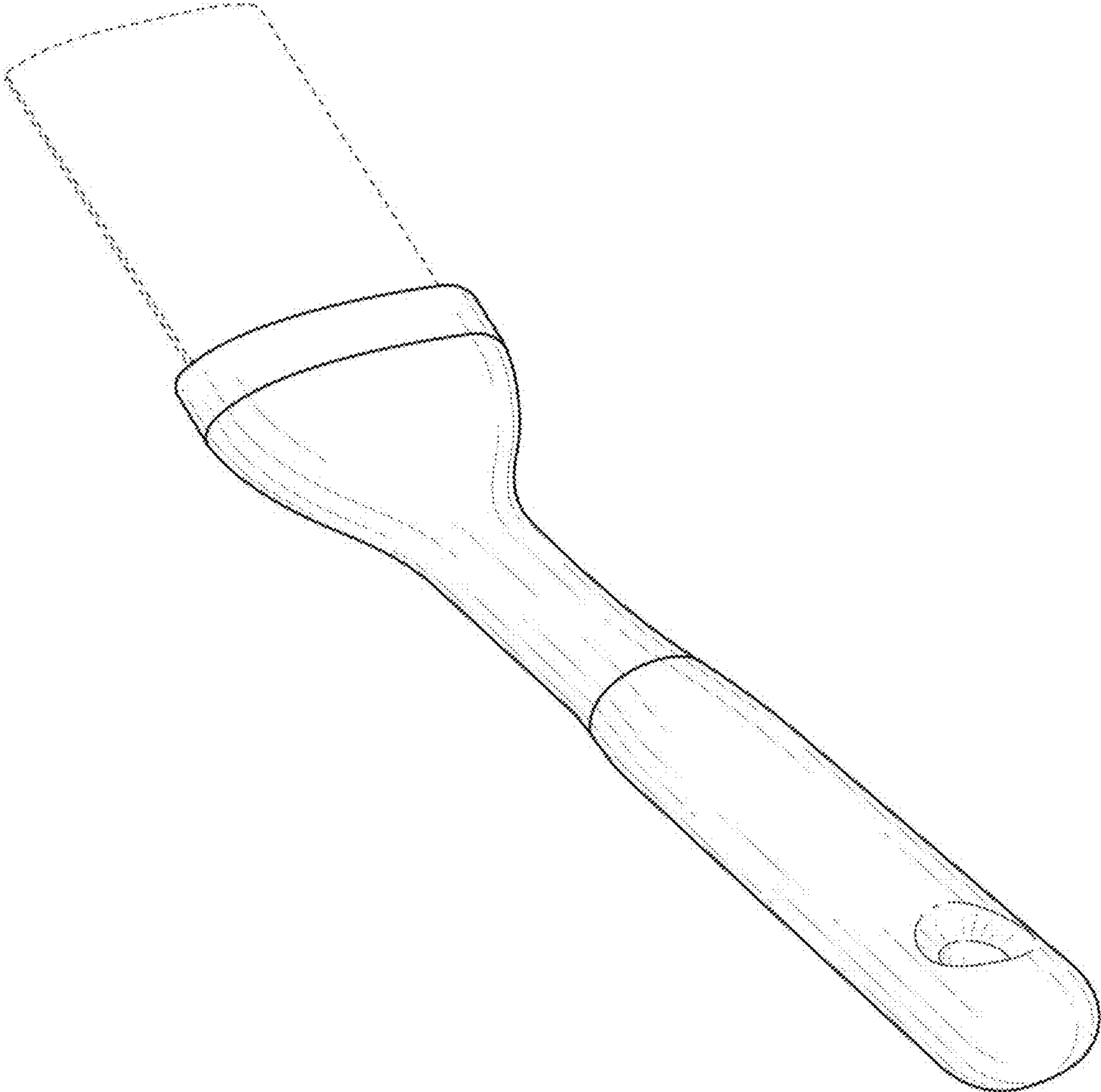


FIG. 1

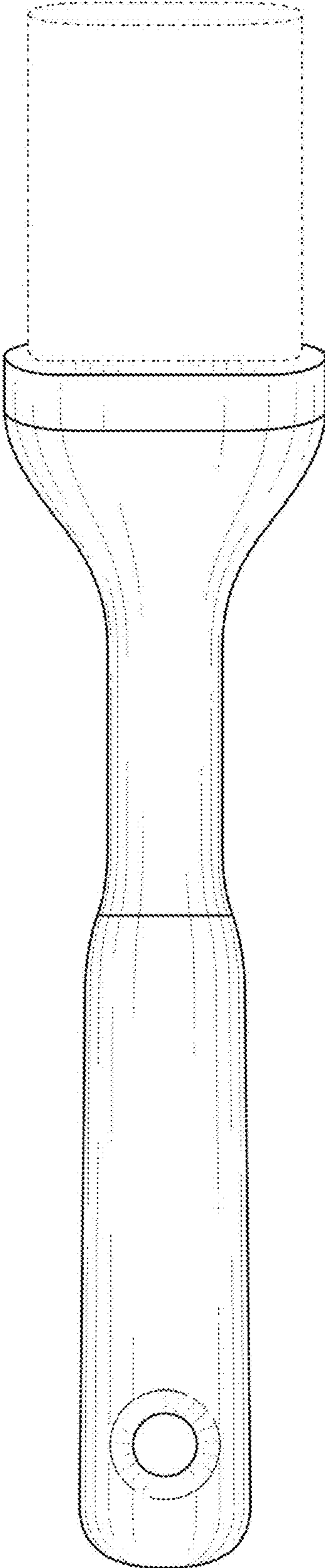


FIG. 2

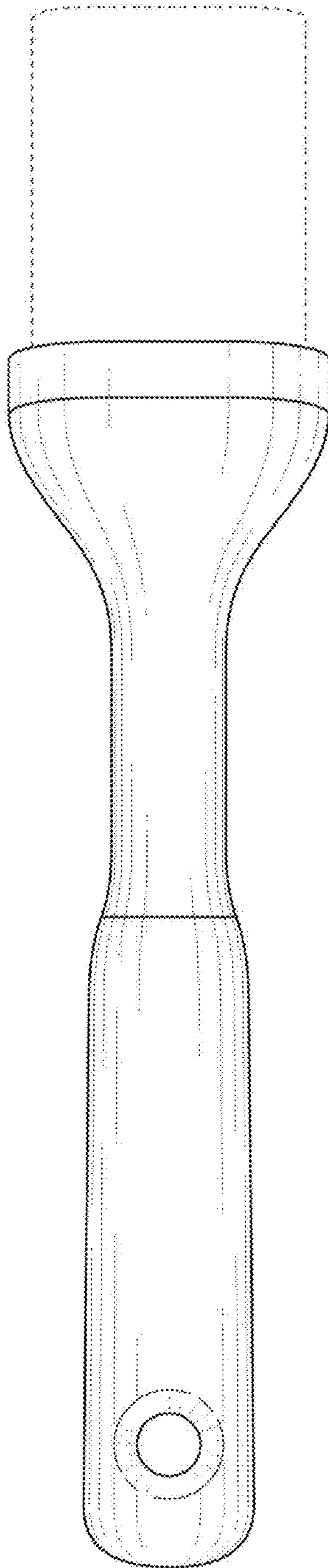


FIG. 3

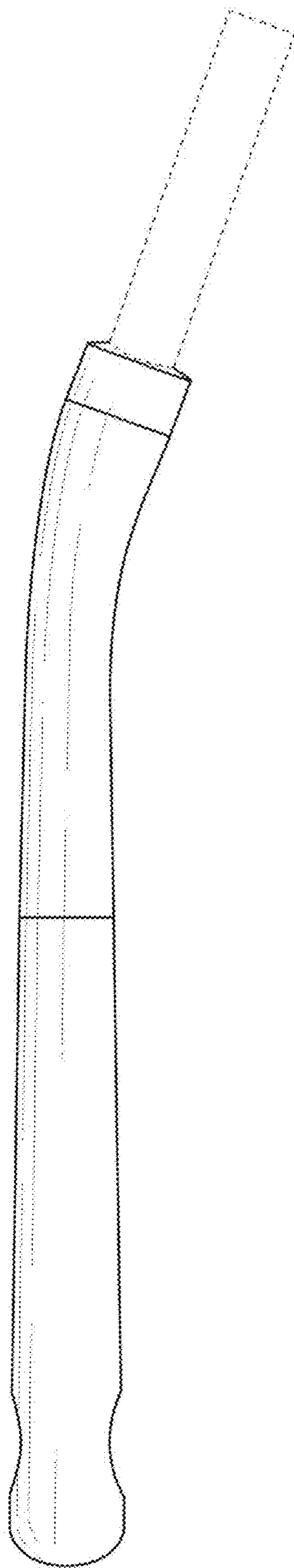


FIG. 4

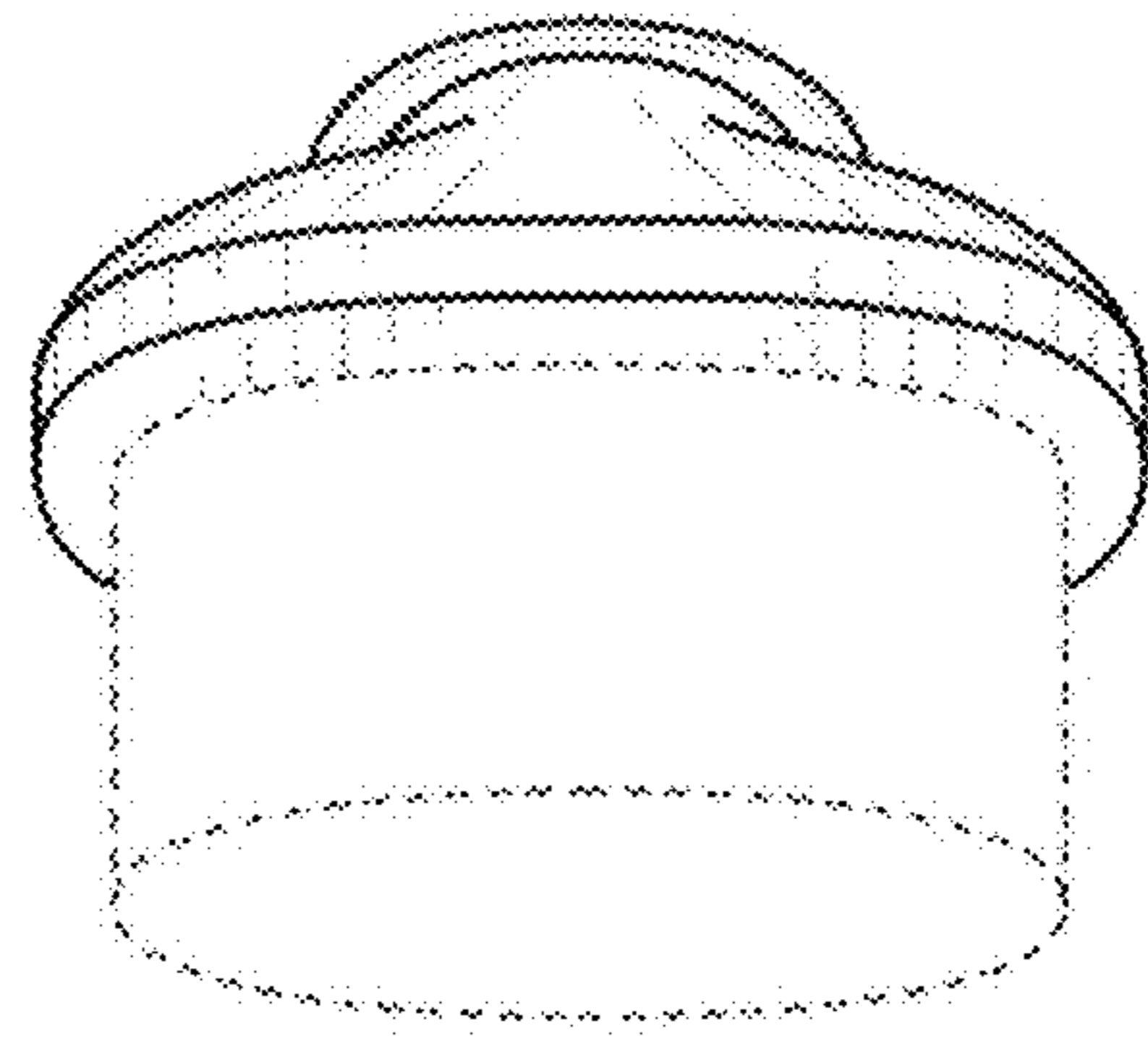


FIG. 5

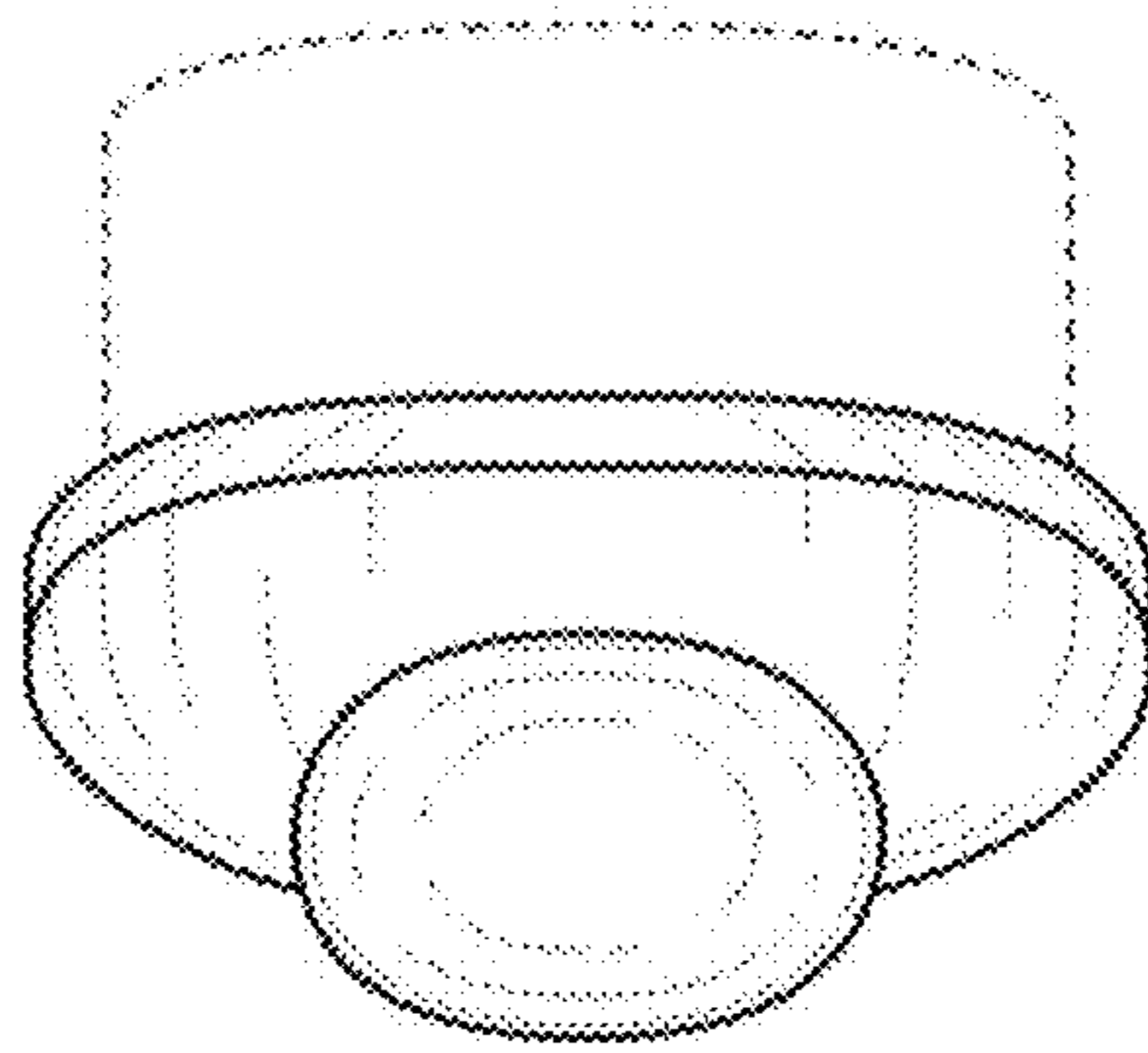


FIG. 6