



US00D911036S

(12) **United States Design Patent** (10) **Patent No.:** **US D911,036 S**  
**Pawluskiewicz** (45) **Date of Patent:** **\*\* Feb. 23, 2021**

(54) **BRUSH**

(71) Applicant: **Spectrum Diversified Designs, LLC**,  
Streetsboro, OH (US)  
(72) Inventor: **Jan Pawluskiewicz**, Seattle, WA (US)  
(73) Assignee: **SPECTRUM DIVERSIFIED  
DESIGNS, LLC**, Streetsboro, OH (US)  
(\*\*) Term: **15 Years**

(21) Appl. No.: **29/704,446**

(22) Filed: **Sep. 5, 2019**

(51) **LOC (13) Cl.** ..... **04-01**

(52) **U.S. Cl.**  
USPC ..... **D4/134**

(58) **Field of Classification Search**  
USPC ..... D4/114, 115, 116, 118, 119, 120, 121,  
D4/127, 128, 129, 130, 131, 132, 133,  
D4/134, 135, 136, 137, 138, 199; D28/7,  
D28/63; D32/35, 40, 49, 52; D7/393,  
D7/395; D8/DIG. 7  
CPC ..... A46B 5/02; A46B 2200/3033  
See application file for complete search history.

(56) **References Cited**

**U.S. PATENT DOCUMENTS**

D201,006 S	*	5/1965	Hauser	.....	D4/134
D438,354 S	*	2/2001	Cann	.....	D32/35
D485,940 S	*	1/2004	Dixon	.....	D28/63
D532,608 S	*	11/2006	Berti	.....	D4/120
D740,604 S	*	10/2015	Barberi	.....	D7/395
D746,103 S	*	12/2015	Zucchi	.....	D7/395
D813,595 S	*	3/2018	Narvaez Lopez	.....	D7/395

**OTHER PUBLICATIONS**

Dish Brush—Made by Design, Target website, [https://www.target.com/p/dish-brush-made-by-design-8482/-/A-75564419?ref=tgt\\_adv\\_XS000000&AFID=google\\_pla\\_df&fndsrc=tgtao&CPNG=PLA\\_Household%2BEssentials%2BShopping\\_Local&adgroup=SC\\_Household&LID=700000001170770pgs&network=g&device=c&location=90333098&ds\\_rl=1246978&ds\\_rl=1247077&ds\\_rl=1246978&gclid=Cj0KCQjw4s7qBRCzARIsAlmcAxYFTMGFkkftFajRX01tkiA1jxNYgv8037-\\_NXSffgDnWvKmc-h1qsaApSbEALw\\_wcB&gclsrc=aw.ds](https://www.target.com/p/dish-brush-made-by-design-8482/-/A-75564419?ref=tgt_adv_XS000000&AFID=google_pla_df&fndsrc=tgtao&CPNG=PLA_Household%2BEssentials%2BShopping_Local&adgroup=SC_Household&LID=700000001170770pgs&network=g&device=c&location=90333098&ds_rl=1246978&ds_rl=1247077&ds_rl=1246978&gclid=Cj0KCQjw4s7qBRCzARIsAlmcAxYFTMGFkkftFajRX01tkiA1jxNYgv8037-_NXSffgDnWvKmc-h1qsaApSbEALw_wcB&gclsrc=aw.ds), dated Aug. 15, 2019, 1 page.

\* cited by examiner

*Primary Examiner* — Karen E Eldridge Powers

(74) *Attorney, Agent, or Firm* — Tucker Ellis LLP

(57) **CLAIM**

The ornamental design for a brush, as shown and described.

**DESCRIPTION**

FIG. 1 is a perspective view of a brush showing my new design.

FIG. 2 is a front elevation view thereof.

FIG. 3 is a rear elevation view thereof.

FIG. 4 is a right side elevation view thereof.

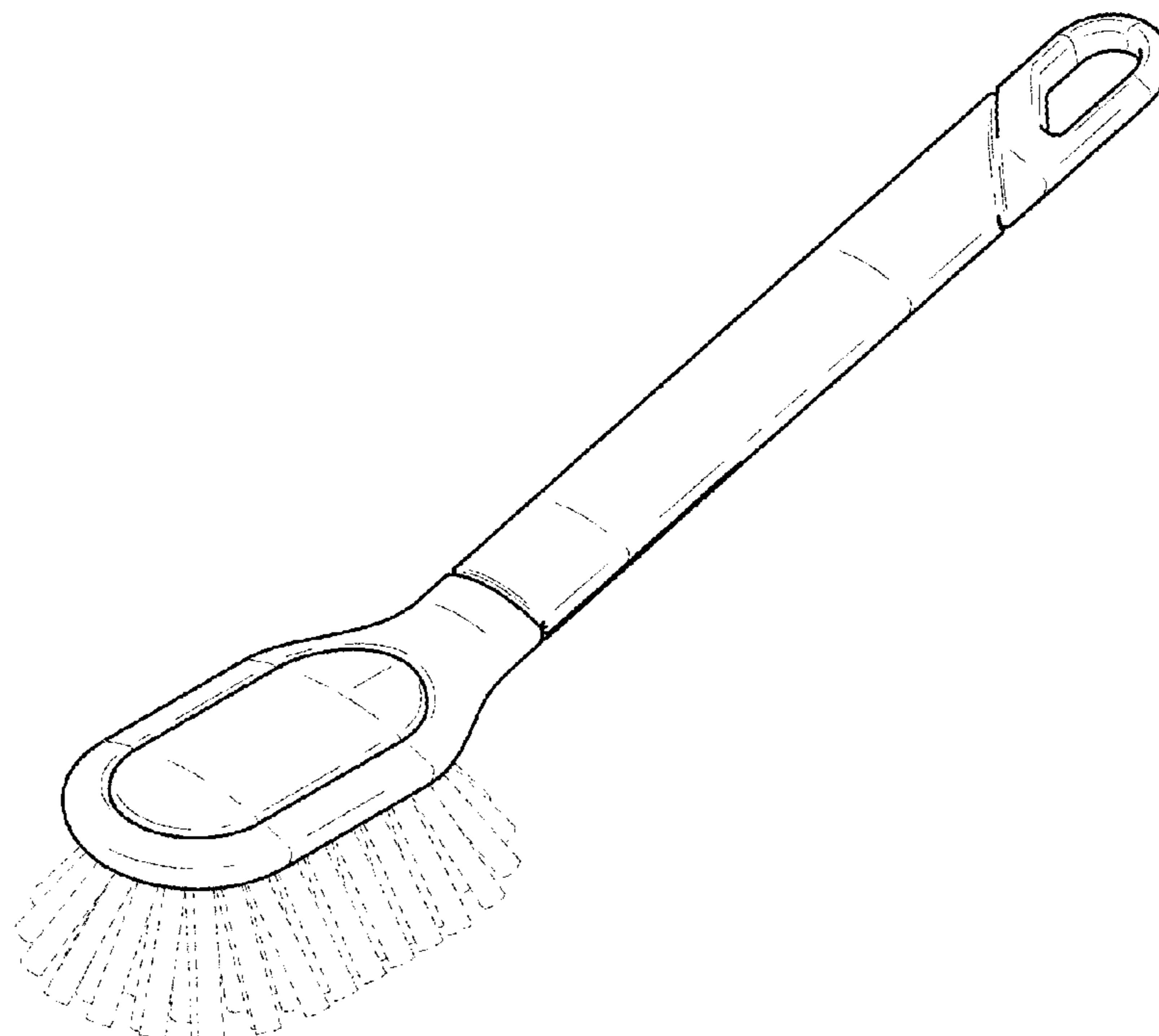
FIG. 5 is a left side elevation view thereof.

FIG. 6 is a top plan view thereof; and,

FIG. 7 is a bottom plan view thereof.

The broken lines show portions of the design that form no part of the claimed design.

**1 Claim, 4 Drawing Sheets**



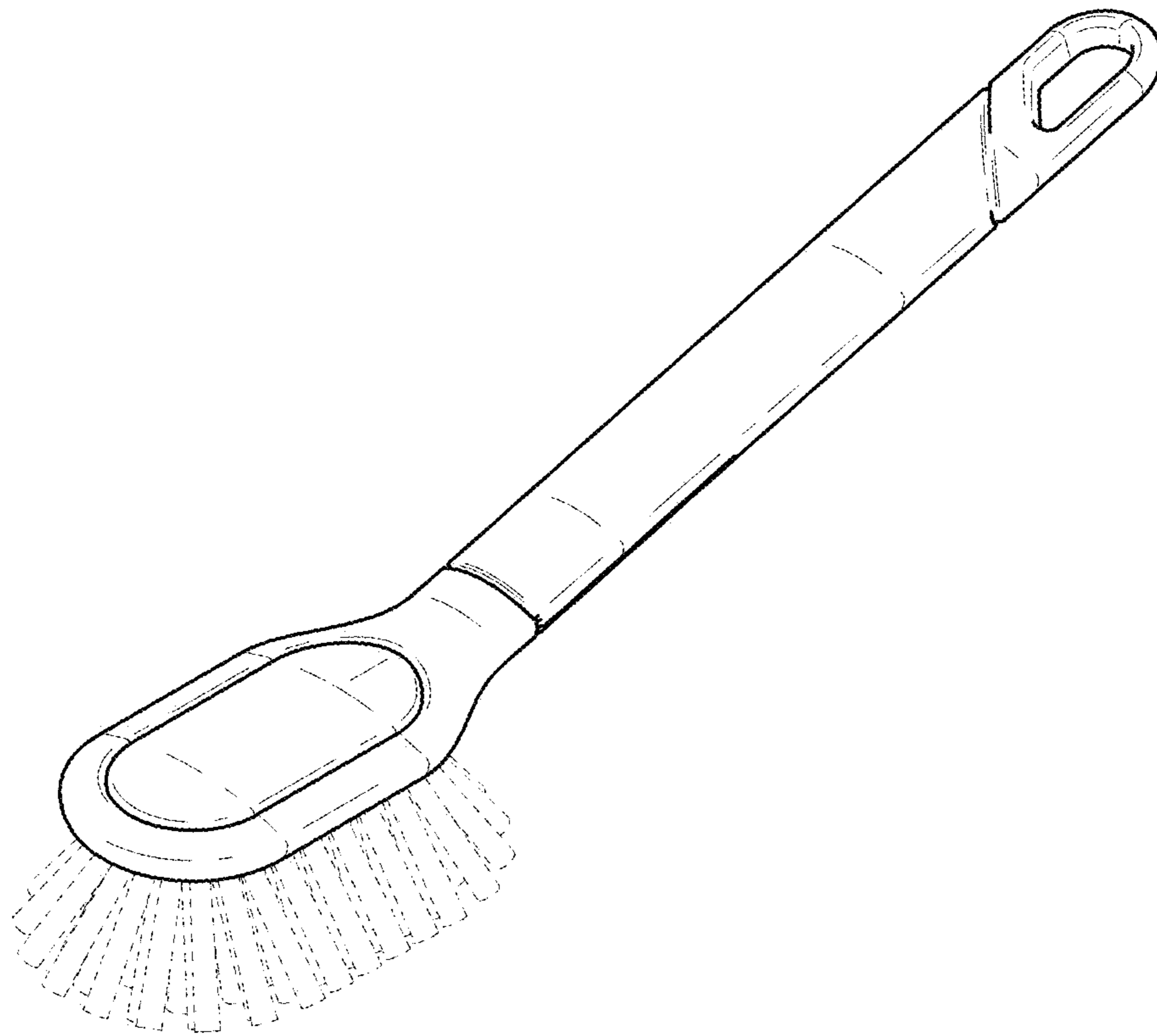


FIG. 1

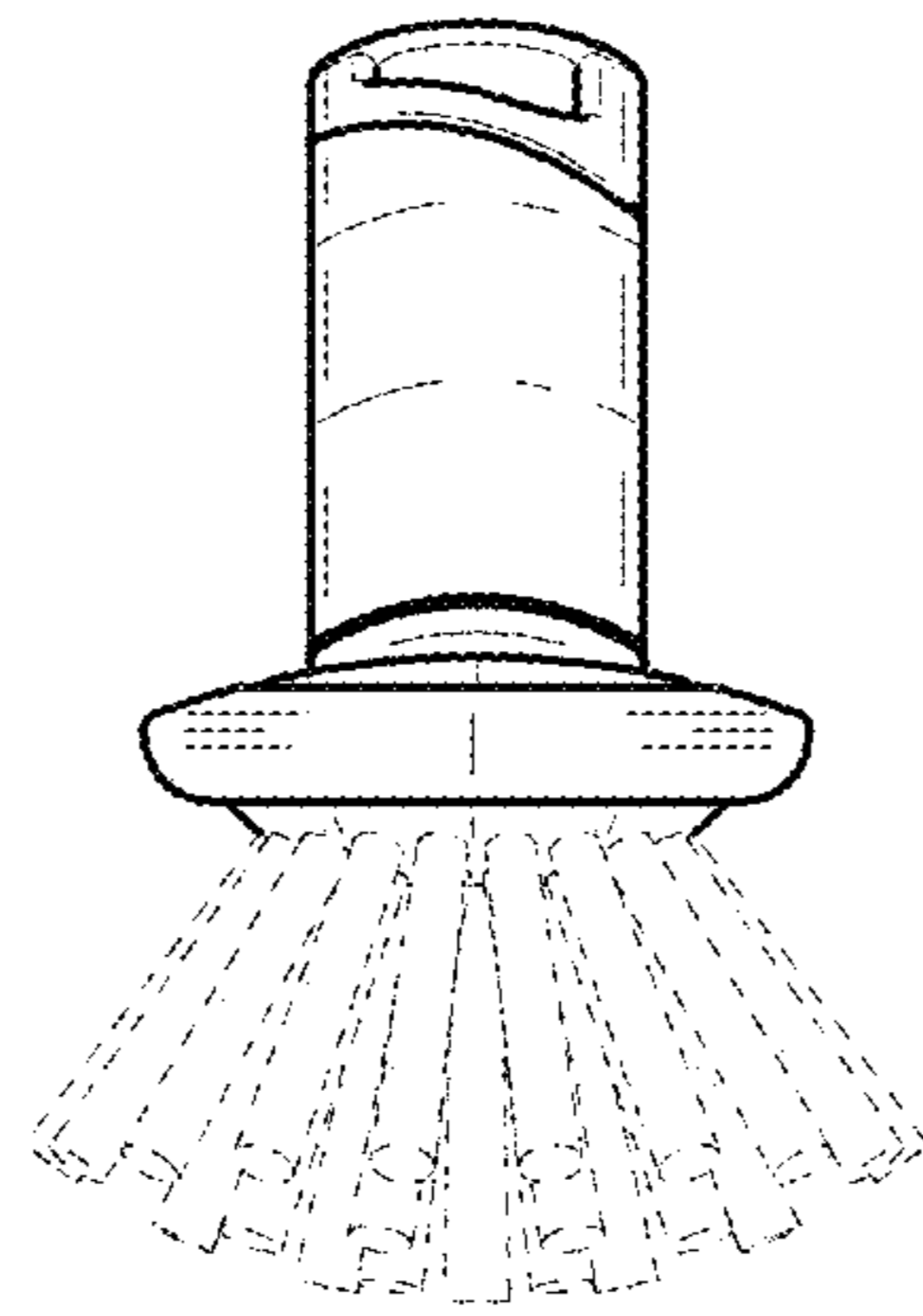


FIG. 2

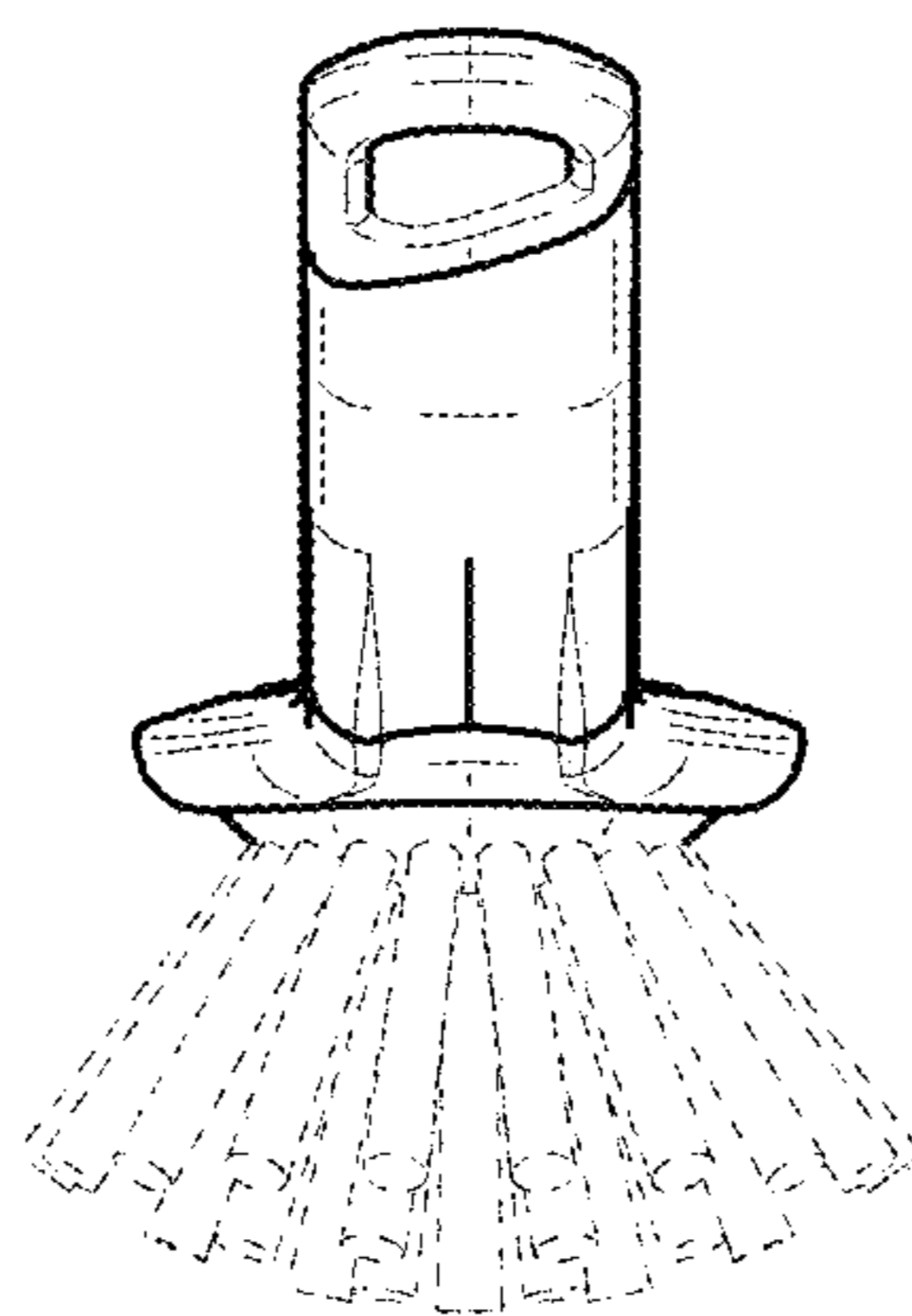


FIG. 3

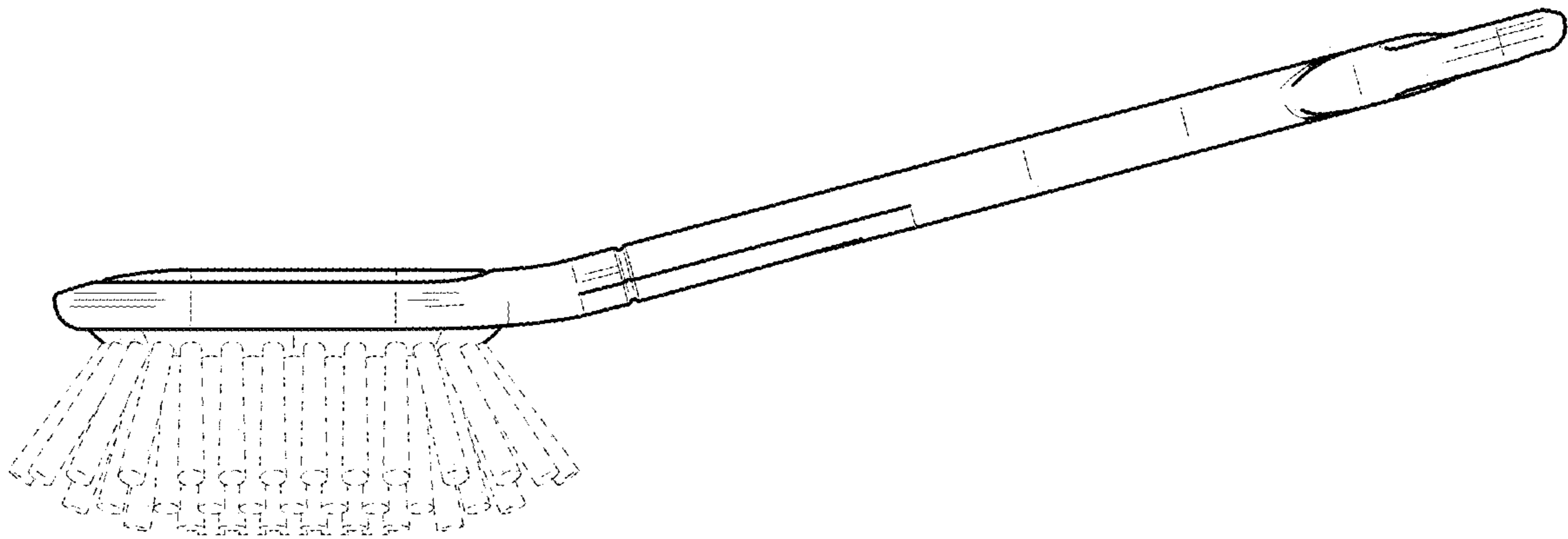


FIG. 4

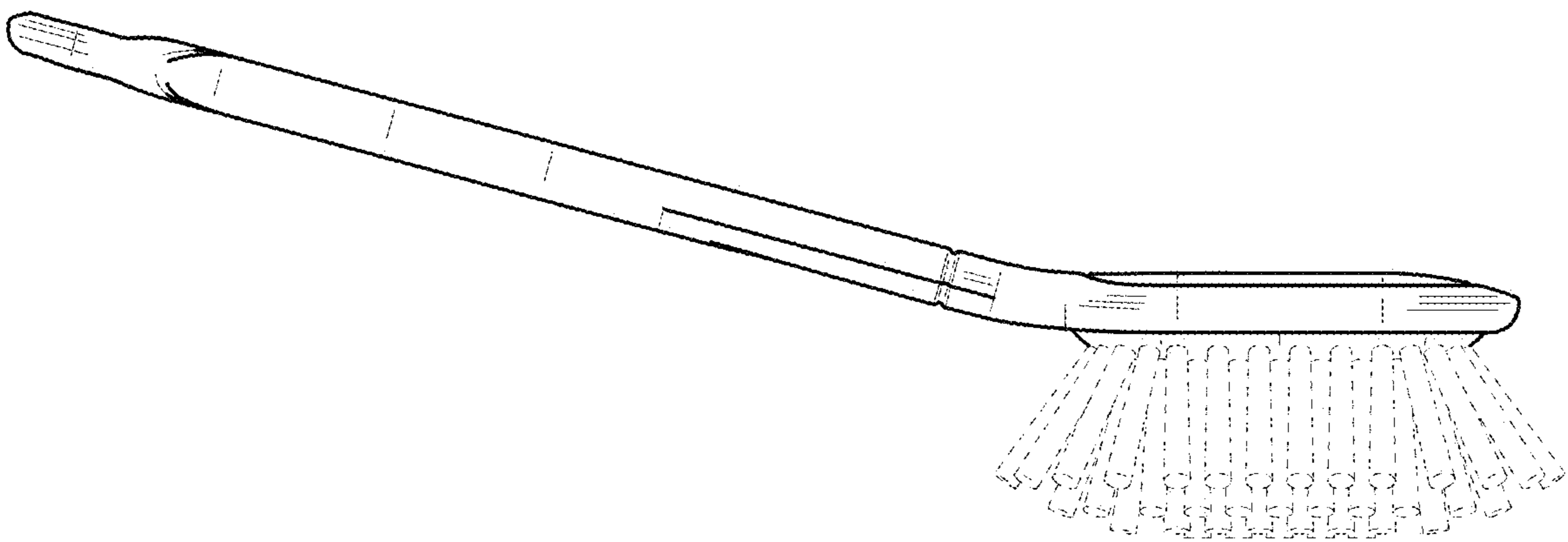


FIG. 5

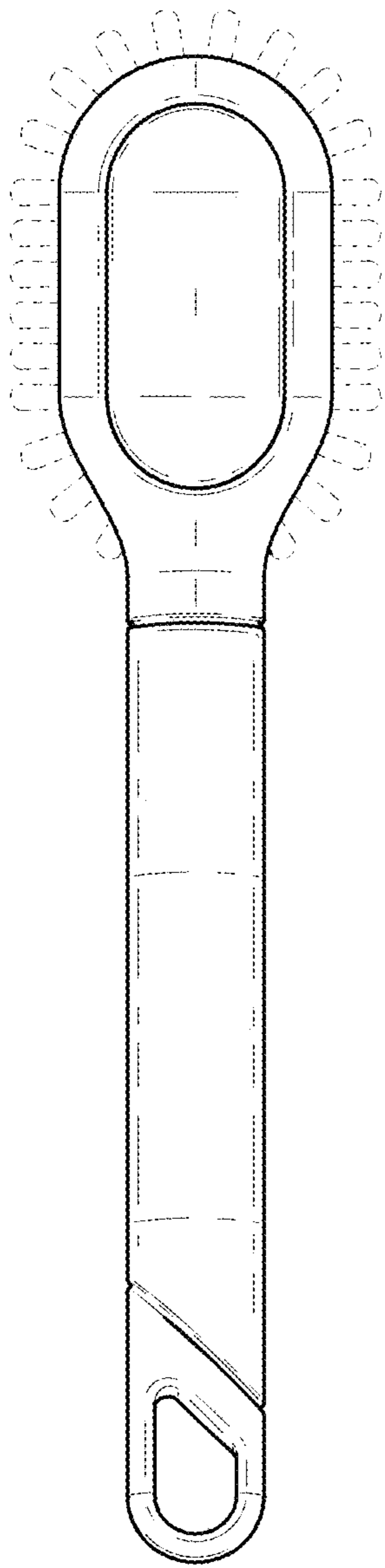


FIG. 6

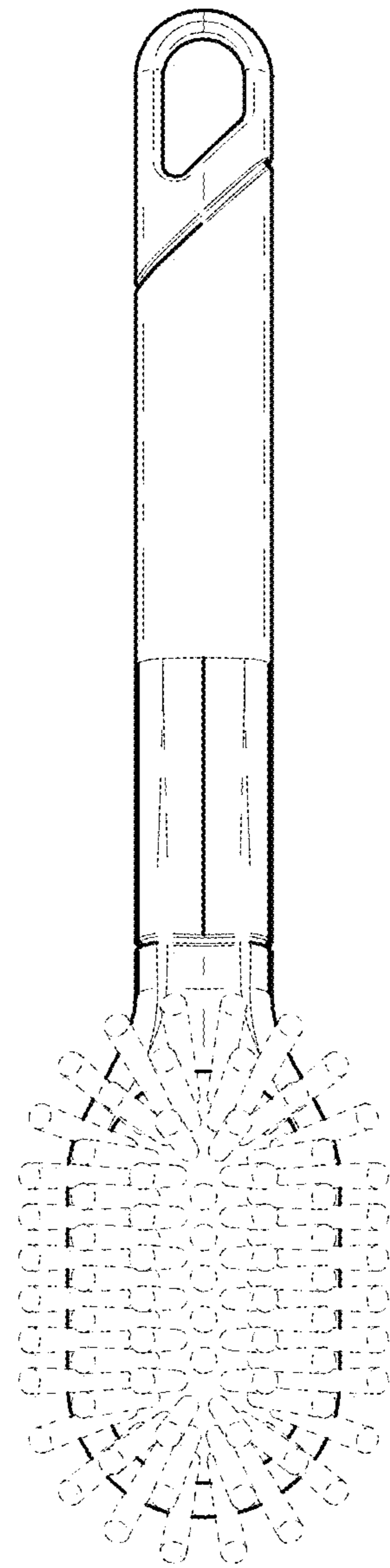


FIG. 7