



US00D911035S

(12) **United States Design Patent**  
**Zhou**

(10) **Patent No.:** **US D911,035 S**

(45) **Date of Patent:** **\*\* Feb. 23, 2021**

(54) **DUST CLEANING BRUSH**

(71) Applicant: **Dehua Zhou**, Wenchang (CN)

(72) Inventor: **Dehua Zhou**, Wenchang (CN)

(\*\*) Term: **15 Years**

(21) Appl. No.: **29/683,205**

(22) Filed: **Mar. 12, 2019**

(51) **LOC (13) Cl.** ..... **04-01**

(52) **U.S. Cl.**  
USPC ..... **D4/133; D4/135**

(58) **Field of Classification Search**  
USPC ..... D4/114, 115, 116, 118, 119, 120, 121,  
D4/127, 128, 129, 130, 131, 132, 133,  
D4/134, 135, 136, 137, 138, 199; D28/7,  
D28/63; D32/35, 40, 49, 52; D7/393,  
D7/395; D8/DIG. 7  
CPC ..... A46B 5/02; A46B 2200/3033  
See application file for complete search history.

(56) **References Cited**

**U.S. PATENT DOCUMENTS**

D215,416 S *	9/1969	Posada	D9/436
D234,074 S *	1/1975	Nilsson	D4/114
D362,965 S *	10/1995	Tastanis	D4/127
D414,528 S *	9/1999	Bocock	D21/400
D543,704 S *	6/2007	Leung	D4/133
D543,705 S *	6/2007	Leung	D4/133
7,594,292 B1 *	9/2009	Pelo	A46B 15/0055
			15/105
D616,204 S *	5/2010	Zemel	D4/114

D648,088 S *	11/2011	Raven	D32/40
8,382,208 B2 *	2/2013	Baertschi	A46B 5/026
			300/21
D708,597 S *	7/2014	Hile	D4/135
D845,002 S *	4/2019	DiSanti	D4/134

\* cited by examiner

*Primary Examiner* — Karen E Eldridge Powers

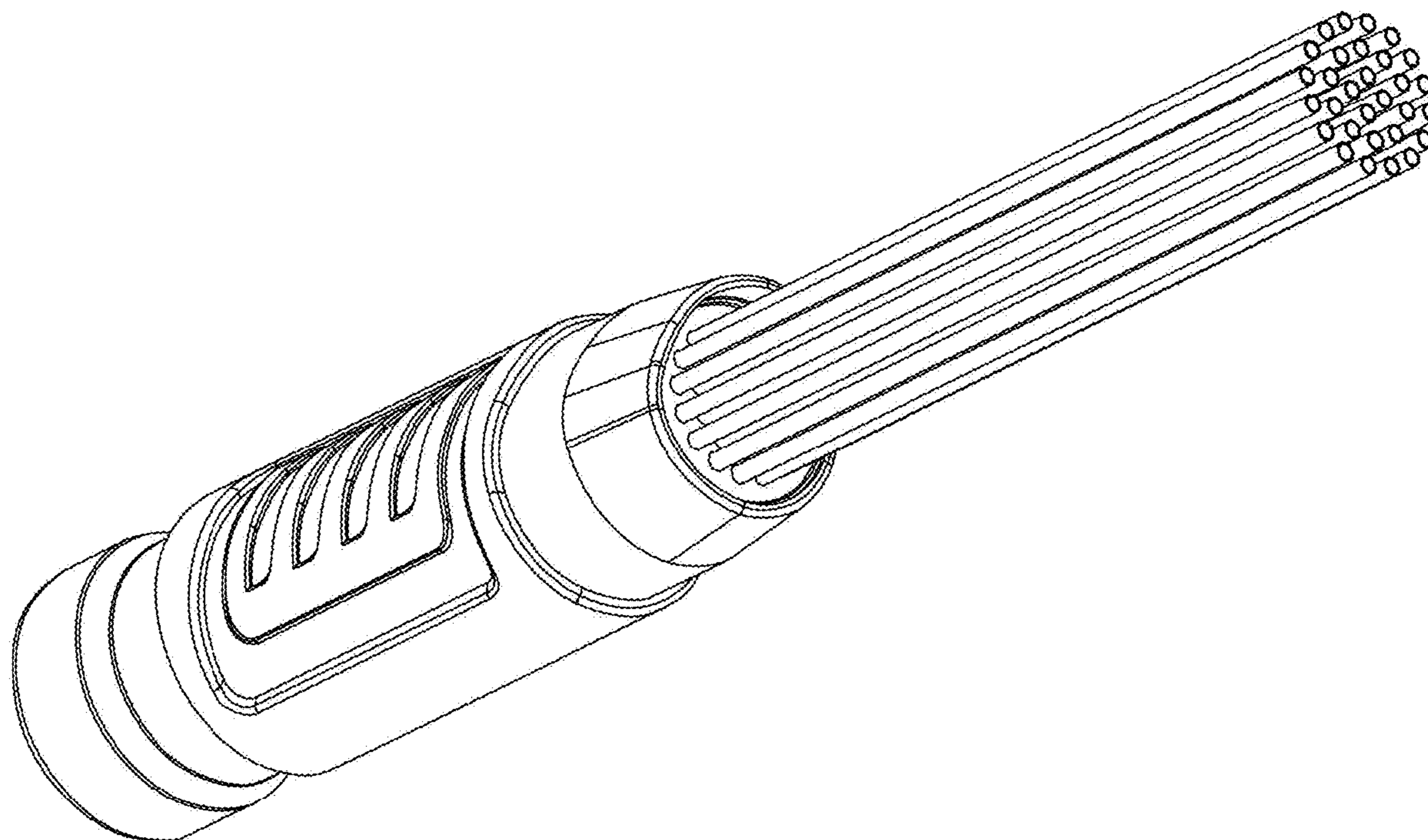
(57) **CLAIM**

The ornamental design for a dust cleaning brush, as shown and described.

**DESCRIPTION**

FIG. 1 is a bottom and rear perspective view of a dust cleaning brush showing my new design;  
 FIG. 2 is a top and front perspective view thereof;  
 FIG. 3 is a front elevation view thereof;  
 FIG. 4 is a rear elevation view thereof;  
 FIG. 5 is a left side elevation view thereof;  
 FIG. 6 is a right side elevation view thereof;  
 FIG. 7 is a top plan view thereof, shown enlarged in scale;  
 and,  
 FIG. 8 is a bottom plan view thereof, shown enlarged in scale.  
 The inside of the brush handle is hollow, so in the bottom view, the bottom of the bristle can be seen, that is, the plurality of smallest round holes in FIG. 8.

**1 Claim, 8 Drawing Sheets**



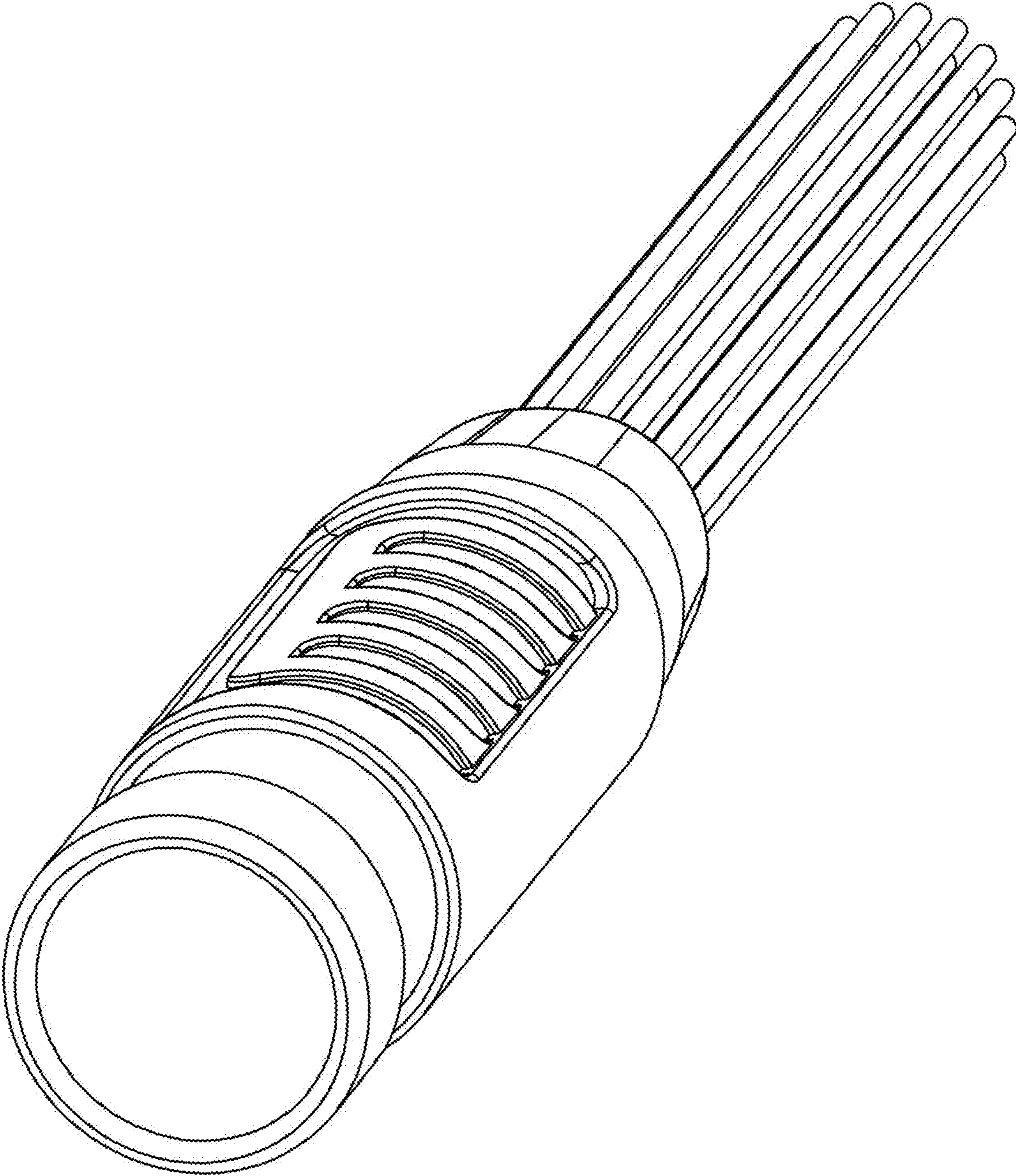


FIG.1

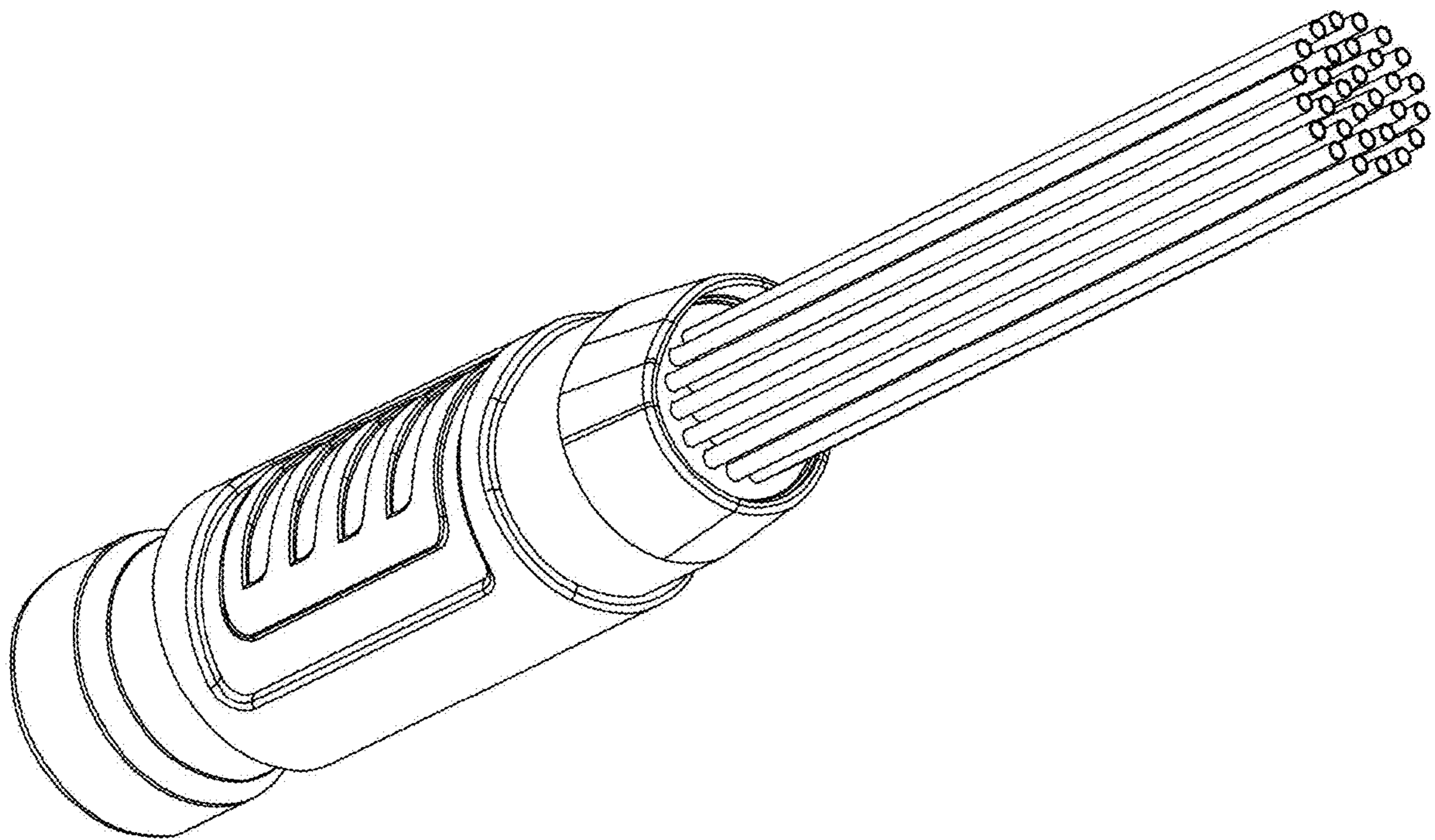


FIG.2

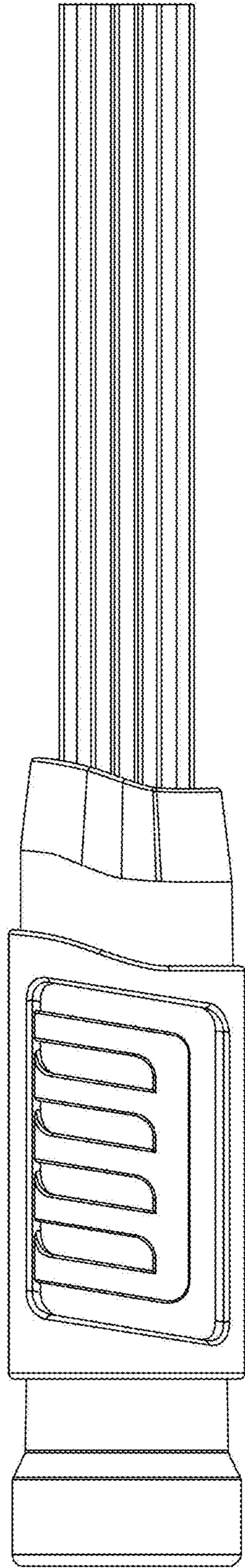


FIG.3

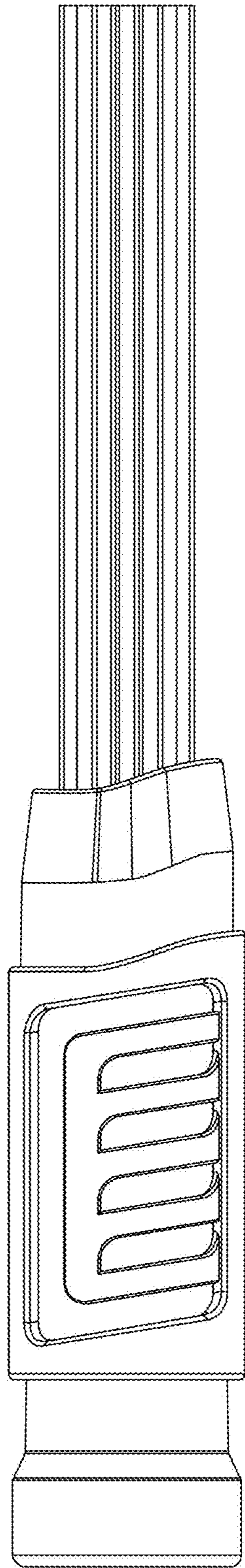


FIG.4

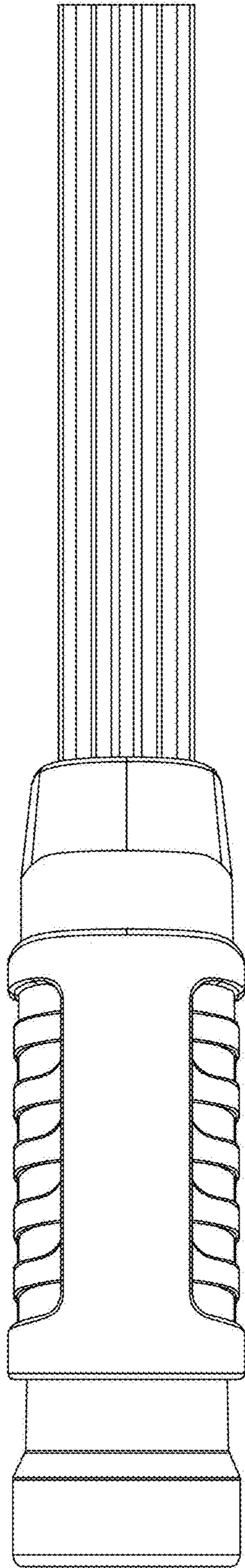


FIG.5

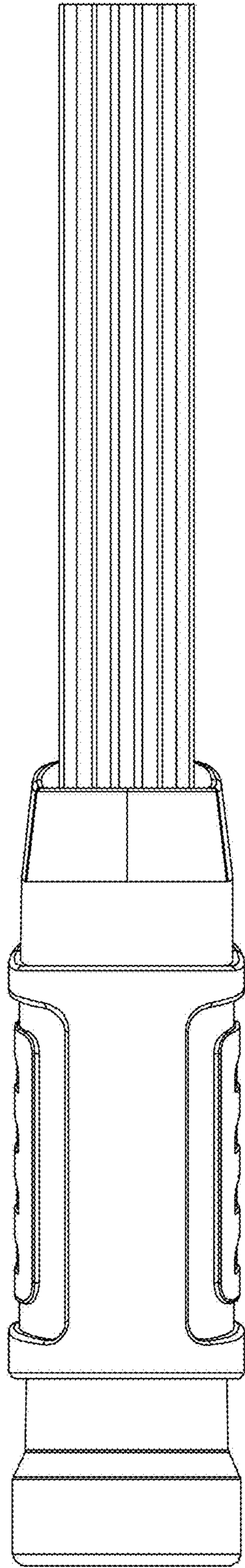


FIG.6

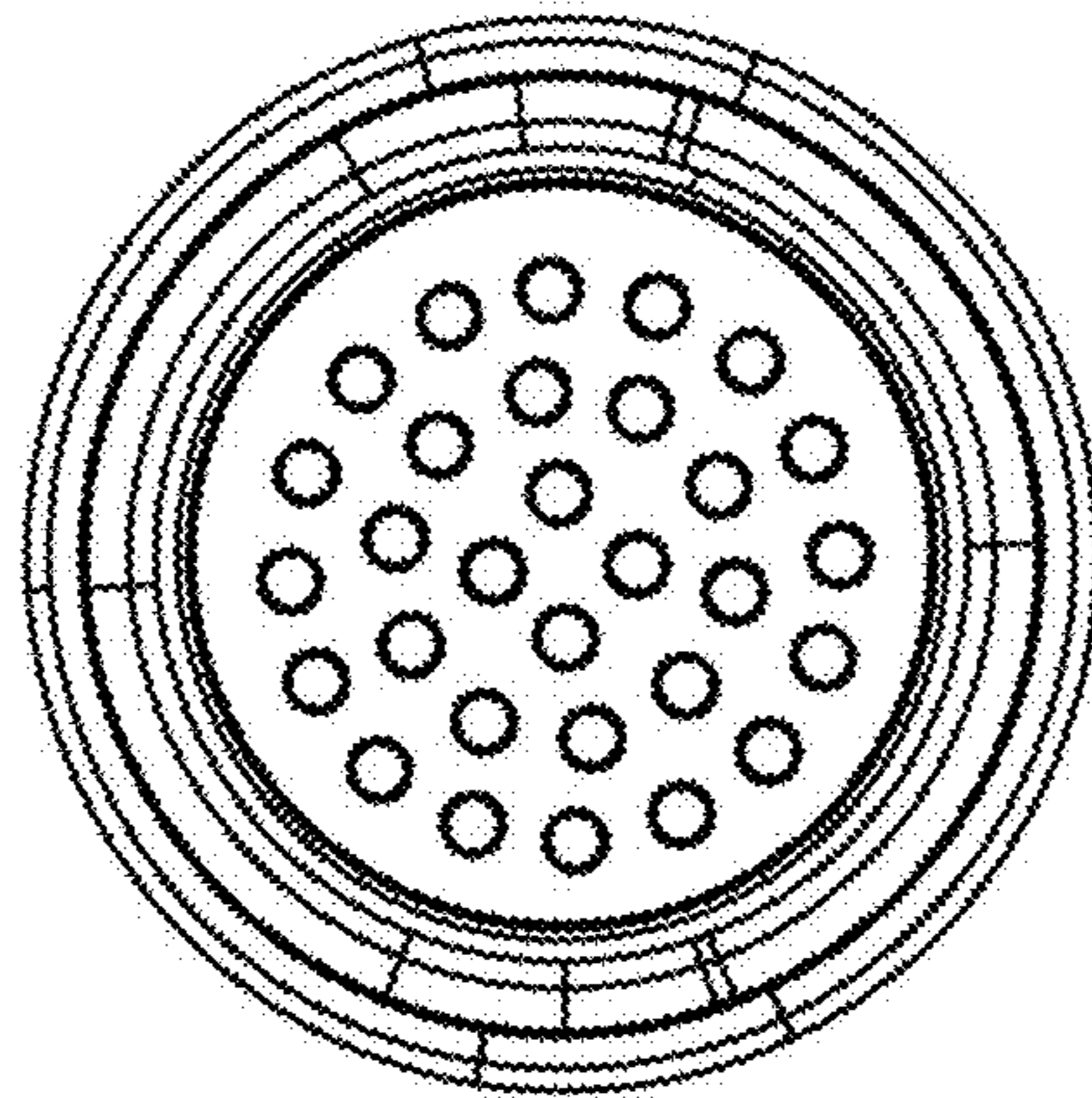


FIG.7



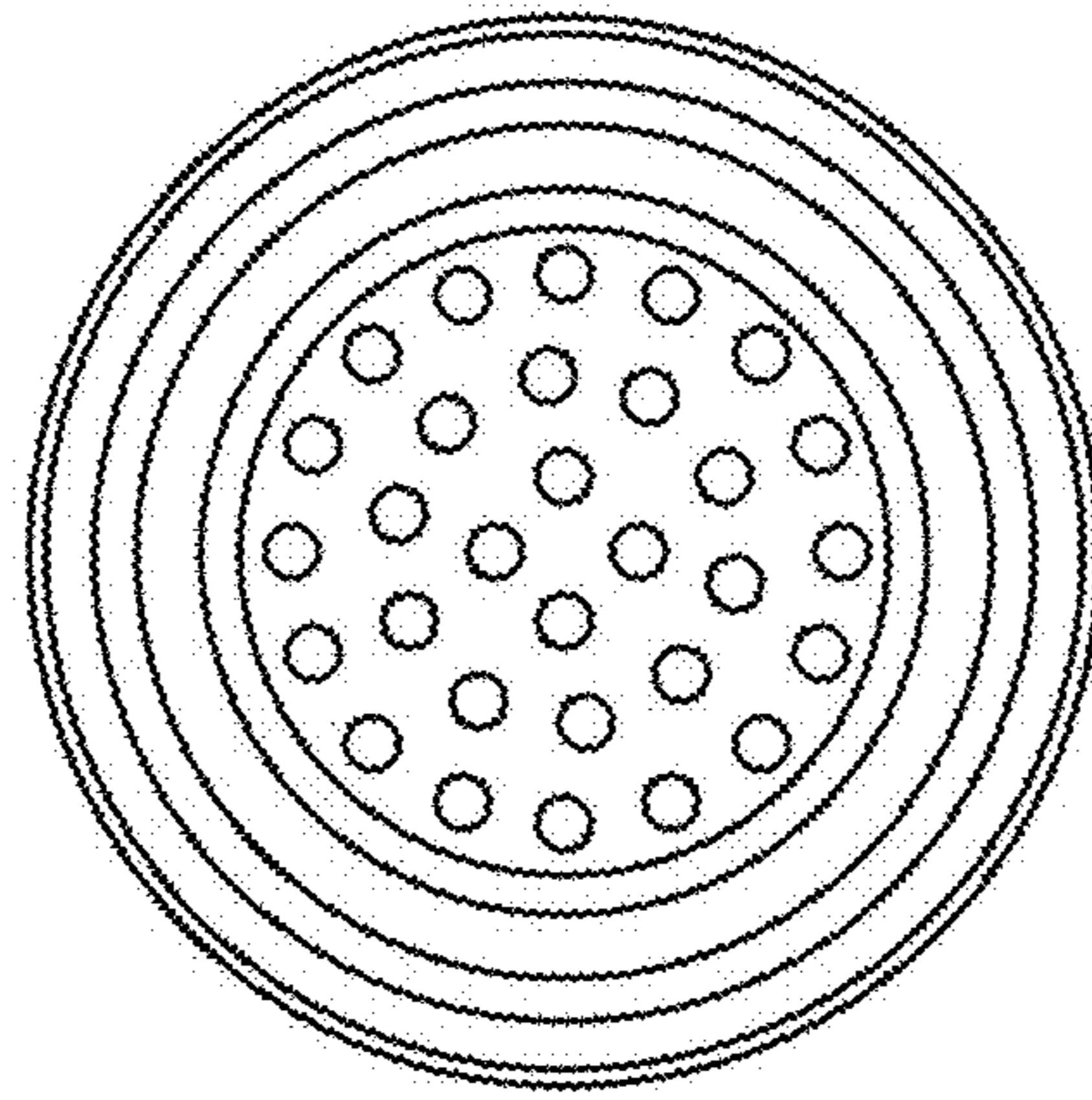


FIG. 8