



US00D911034S

(12) **United States Design Patent** (10) **Patent No.:** **US D911,034 S**
Rodriguez et al. (45) **Date of Patent:** **** Feb. 23, 2021**

(54) **PASTRY BRUSH**

(56) **References Cited**

(71) Applicants: **Brandon Rodriguez**, Coral Gables, FL (US); **Mason Adam Umholtz**, Sunnyvale, CA (US); **Edward Lee**, Brooklyn, NY (US); **Min Kim**, Jersey City, NJ (US); **Marc-Aurelien Vivant**, Brooklyn, NY (US)

U.S. PATENT DOCUMENTS

D333,217 S	*	2/1993	Gingras	D4/132
D365,210 S	*	12/1995	Bell	D4/132
D449,932 S	*	11/2001	Ancona	D4/199
D454,432 S	*	3/2002	Ancona	D4/138
D512,839 S	*	12/2005	Lion	D4/132
D704,451 S	*	5/2014	Schouten	D4/138
D804,827 S	*	12/2017	Smith	D4/132
D805,785 S	*	12/2017	Menda	D4/132
D825,192 S	*	8/2018	Duvall	A46B 5/021
					D4/134
D878,058 S	*	3/2020	Luo	D4/132

(72) Inventors: **Brandon Rodriguez**, Coral Gables, FL (US); **Mason Adam Umholtz**, Sunnyvale, CA (US); **Edward Lee**, Brooklyn, NY (US); **Min Kim**, Jersey City, NJ (US); **Marc-Aurelien Vivant**, Brooklyn, NY (US)

OTHER PUBLICATIONS

<https://www.oxo.com/silicone-1-pastry-brush-320.html>, publicly available prior to Aug. 18, 2019.

(73) Assignee: **Helen of Troy Limited**, St. Michael (BB)

* cited by examiner

(**) Term: **15 Years**

Primary Examiner — Austin Murphy

(21) Appl. No.: **29/702,270**

(74) *Attorney, Agent, or Firm* — Rankin, Hill & Clark LLP

(22) Filed: **Aug. 18, 2019**

(51) **LOC (13) Cl.** **04-01**

(57) **CLAIM**

(52) **U.S. Cl.**
USPC **D4/132**

The ornamental design for a pastry brush, as shown, and described.

(58) **Field of Classification Search**

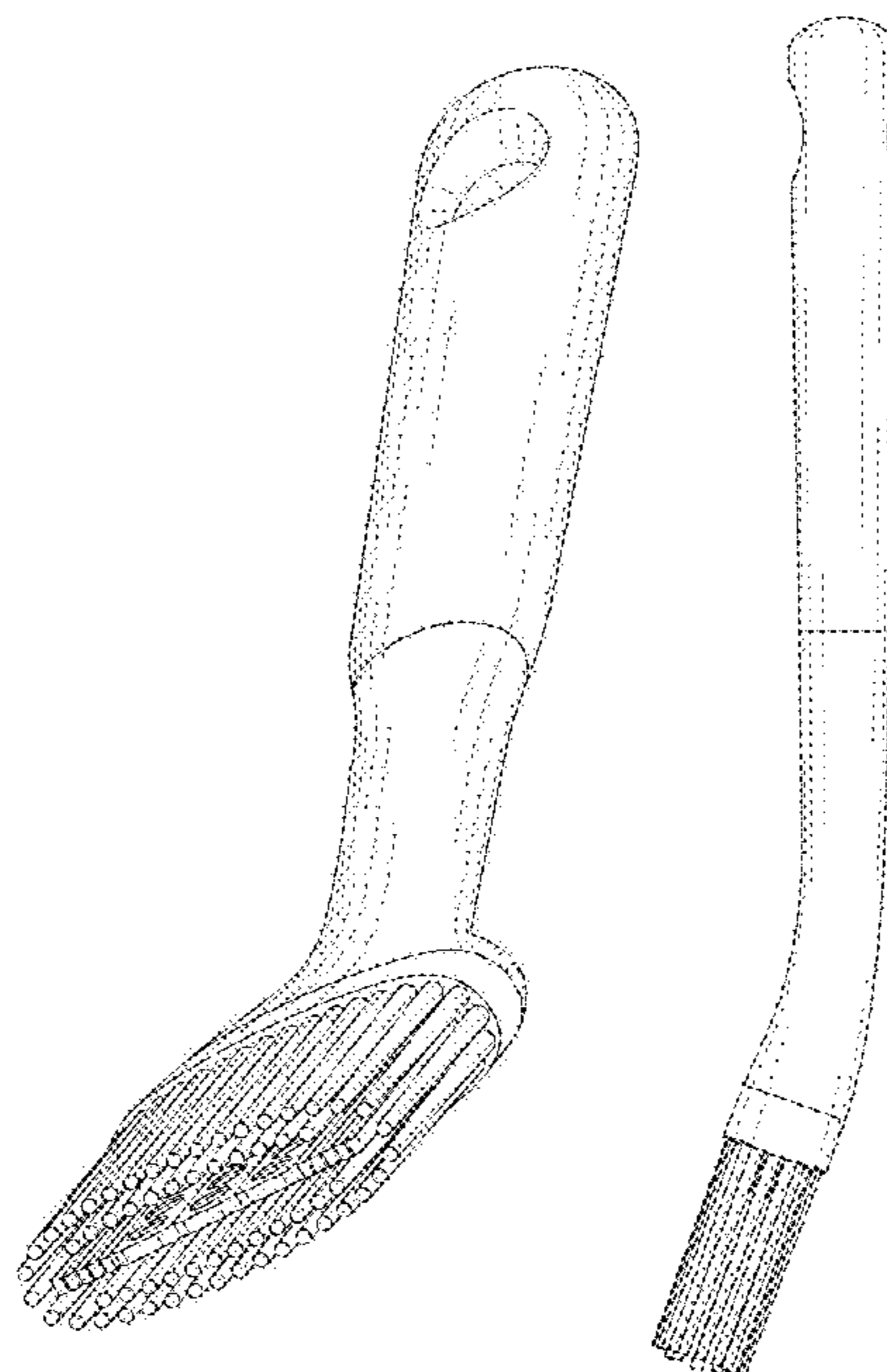
DESCRIPTION

USPC D4/128, 129, 131, 136, 138, 108, 109, D4/119, 132; D32/35, 51; 15/104.5, 15/104.16, 104.2, 104.31, 104.32, 164, 15/165, 206; D28/65; D7/682; 452/298, 452/458
CPC A46B 2200/10; A46B 2200/104; A45D 2/10; A45D 1/00; A46D 1/003; A46D 3/087

FIG. 1 is a perspective view of a pastry brush;
FIG. 2 is a front view thereof;
FIG. 3 is a rear view thereof;
FIG. 4 is a left elevation view thereof, the right elevation view being a mirror image thereof;
FIG. 5 is a top plan view thereof; and,
FIG. 6 is a bottom plan view thereof.

See application file for complete search history.

1 Claim, 6 Drawing Sheets



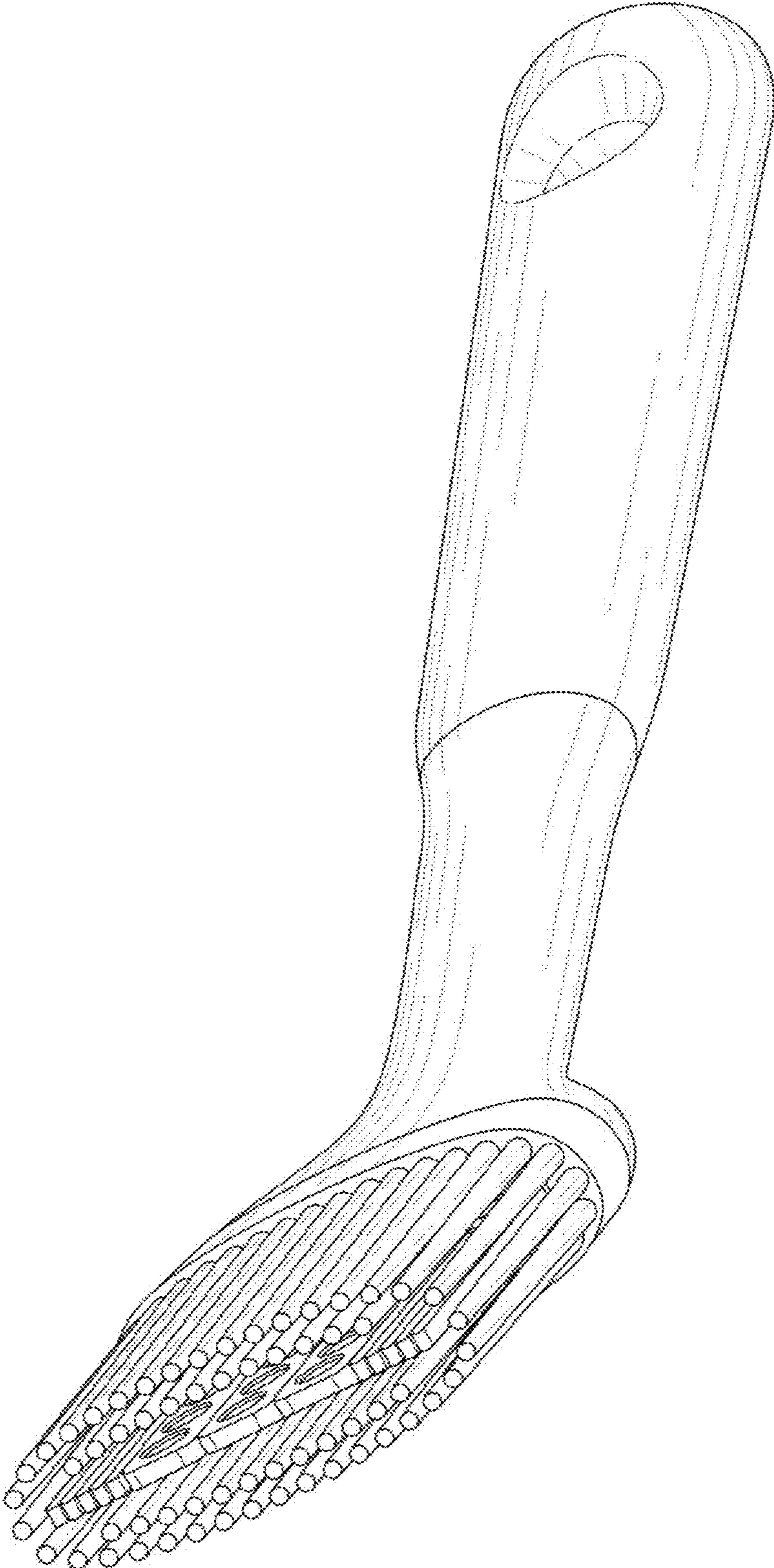


FIG. 1

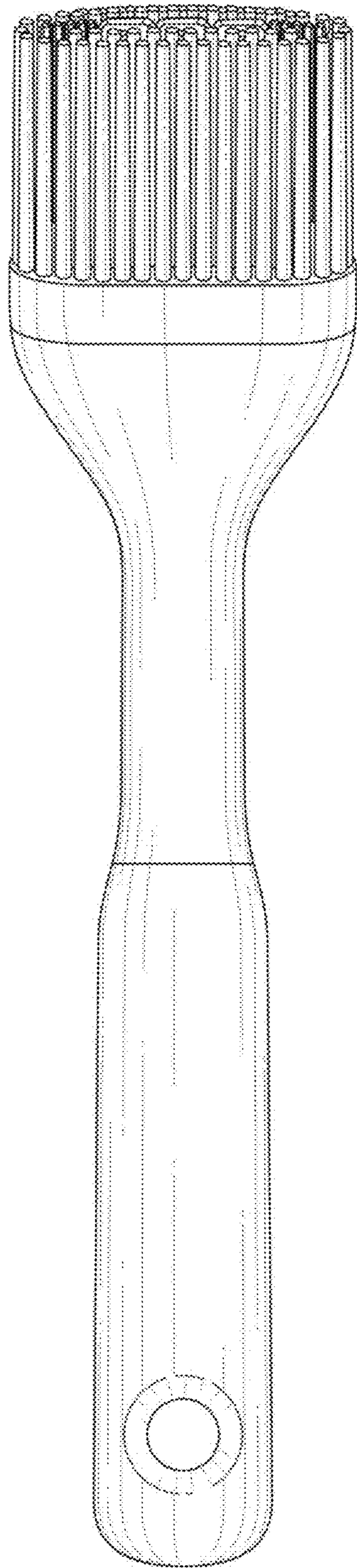


FIG. 2

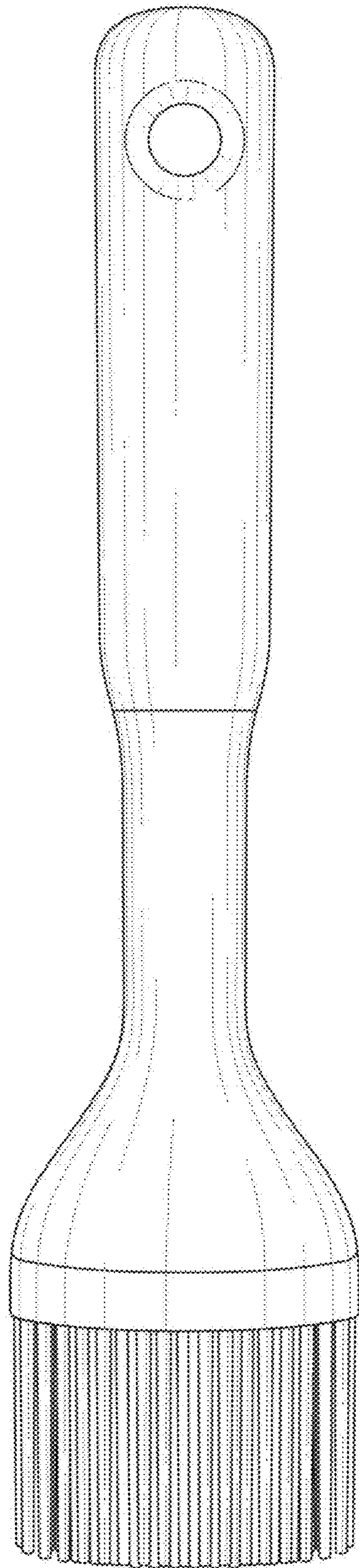


FIG. 3

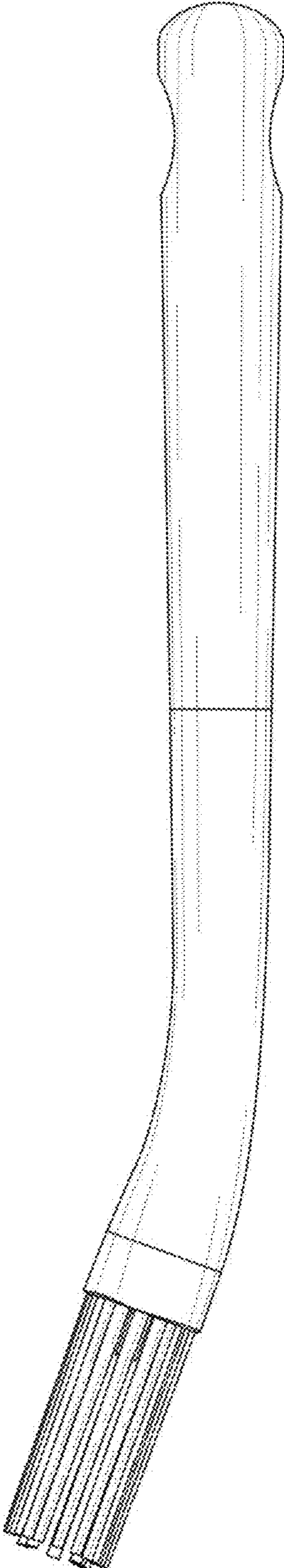


FIG. 4

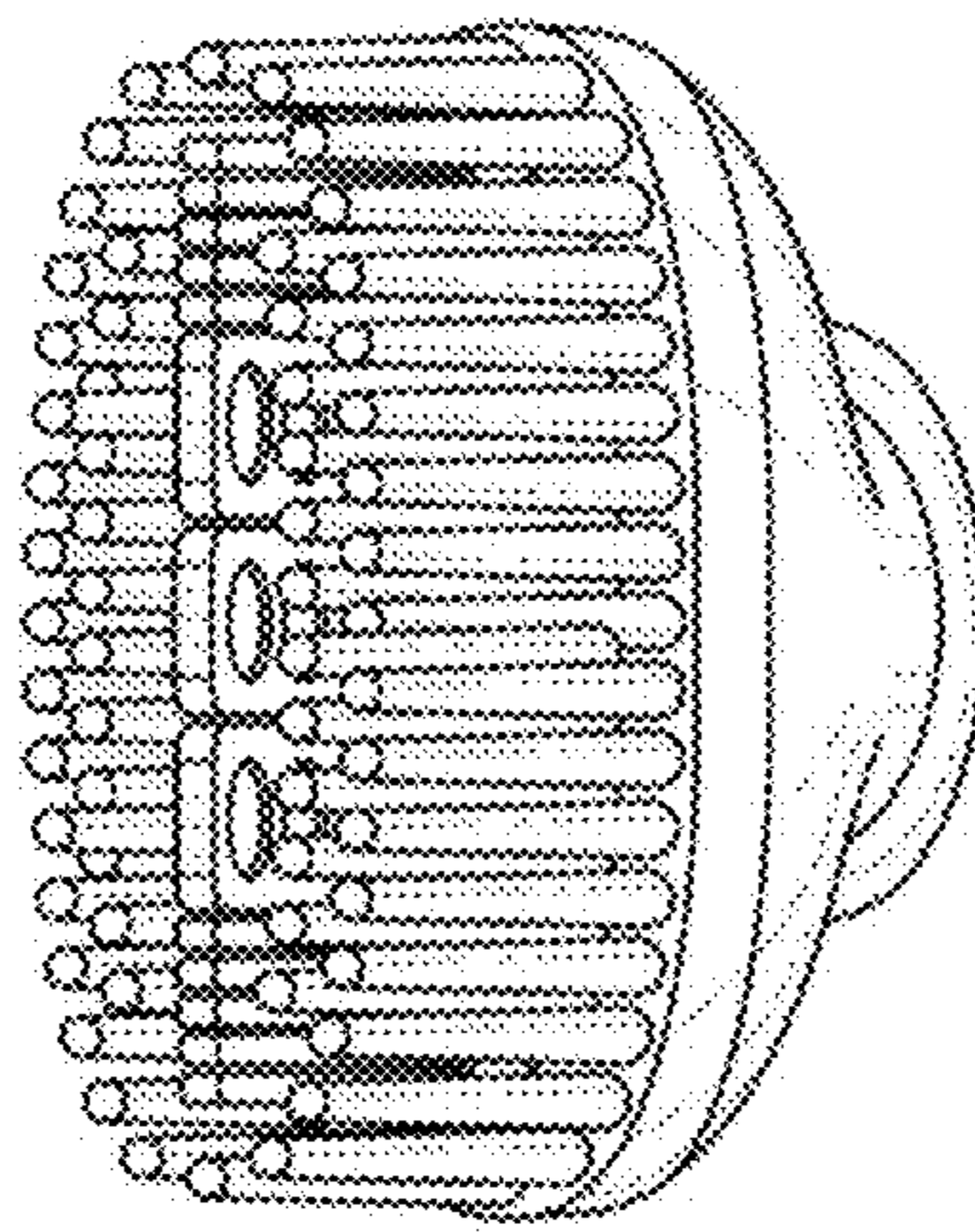


FIG. 5

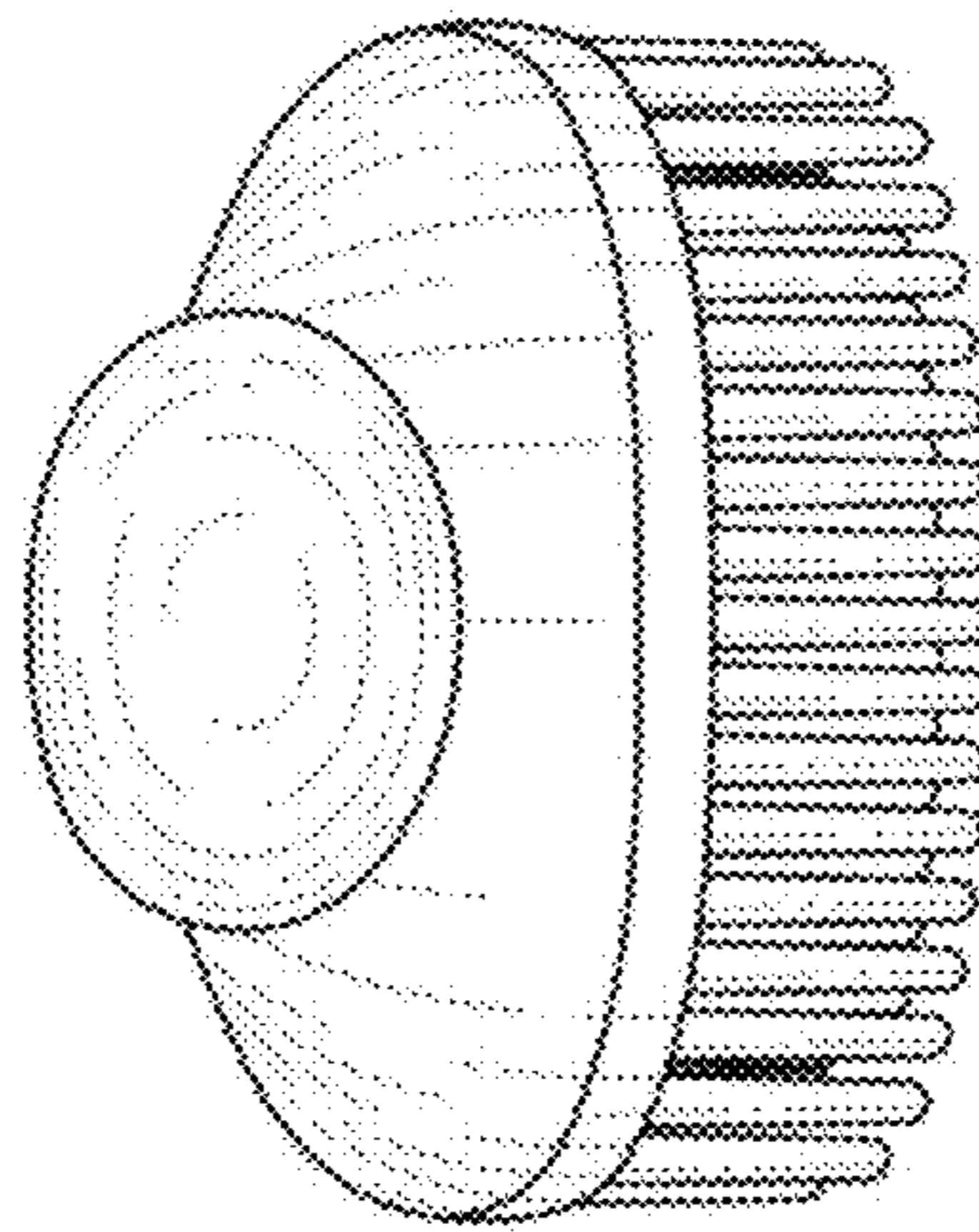


FIG. 6