



US00D911032S

(12) **United States Design Patent** (10) **Patent No.:** **US D911,032 S**
Wang et al. (45) **Date of Patent:** **** Feb. 23, 2021**

(54) **ELECTRIC BRUSH**

(56) **References Cited**

(71) Applicants: **Nine Stars Group (U.S.A.) Inc.**,
Chino, CA (US); **Fujian Nashida**
Electronic Incorporated Company,
Fujian (CN)

U.S. PATENT DOCUMENTS

1,055,981	A	*	3/1913	Reichert et al.	A46B 13/001 15/179
D334,287	S	*	3/1993	Ingles	D4/102
D356,443	S	*	3/1995	Willis	D32/42
D581,115	S	*	11/2008	Zannini	D32/35
D718,058	S	*	11/2014	Petti	D4/128
D752,833	S	*	3/2016	Espin	D32/35
D768,390	S	*	10/2016	Hill	D4/119
D823,603	S	*	7/2018	Ballard	D4/102
D825,190	S	*	8/2018	Hu	D4/102
D825,932	S	*	8/2018	Jun	D4/128
D845,640	S	*	4/2019	Adams	D4/119
D874,831	S	*	2/2020	Wang	D4/102

(72) Inventors: **Xin Wang**, Fuzhou (CN); **Wenbin Ye**,
Fuzhou (CN); **Lili Nian**, Fuzhou (CN)

(73) Assignees: **Nine Stars Group (U.S.A.) Inc.**,
Chino, CA (US); **Fujian Nashida**
Electronic Incorporated Company,
Fujian (CN)

* cited by examiner

(**) Term: **15 Years**

Primary Examiner — Karen E Eldridge Powers

(21) Appl. No.: **29/695,870**

(74) *Attorney, Agent, or Firm* — Raymond Y. Chan;
David and Raymond Patent Firm

(22) Filed: **Jun. 23, 2019**

(57) **CLAIM**

(30) **Foreign Application Priority Data**

The ornamental design for an electric brush, as shown and described.

Apr. 17, 2019 (CN) 201930176697.1

DESCRIPTION

(51) **LOC (13) Cl.** **04-01**

FIG. 1 is a bottom, front, left side perspective view of the electric brush showing our new design;
FIG. 2 is a front elevation view thereof;
FIG. 3 is a rear elevation view thereof;
FIG. 4 is a left side elevation view thereof;
FIG. 5 is a right side elevation view thereof;
FIG. 6 is a bottom plan view thereof; and,
FIG. 7 is a top plan thereof.

(52) **U.S. Cl.**

USPC **D4/102**

The port drawn in broken lines on the bottom surface of the electric brush (shown in FIGS. 1 and 6) forms no part of the claimed design.

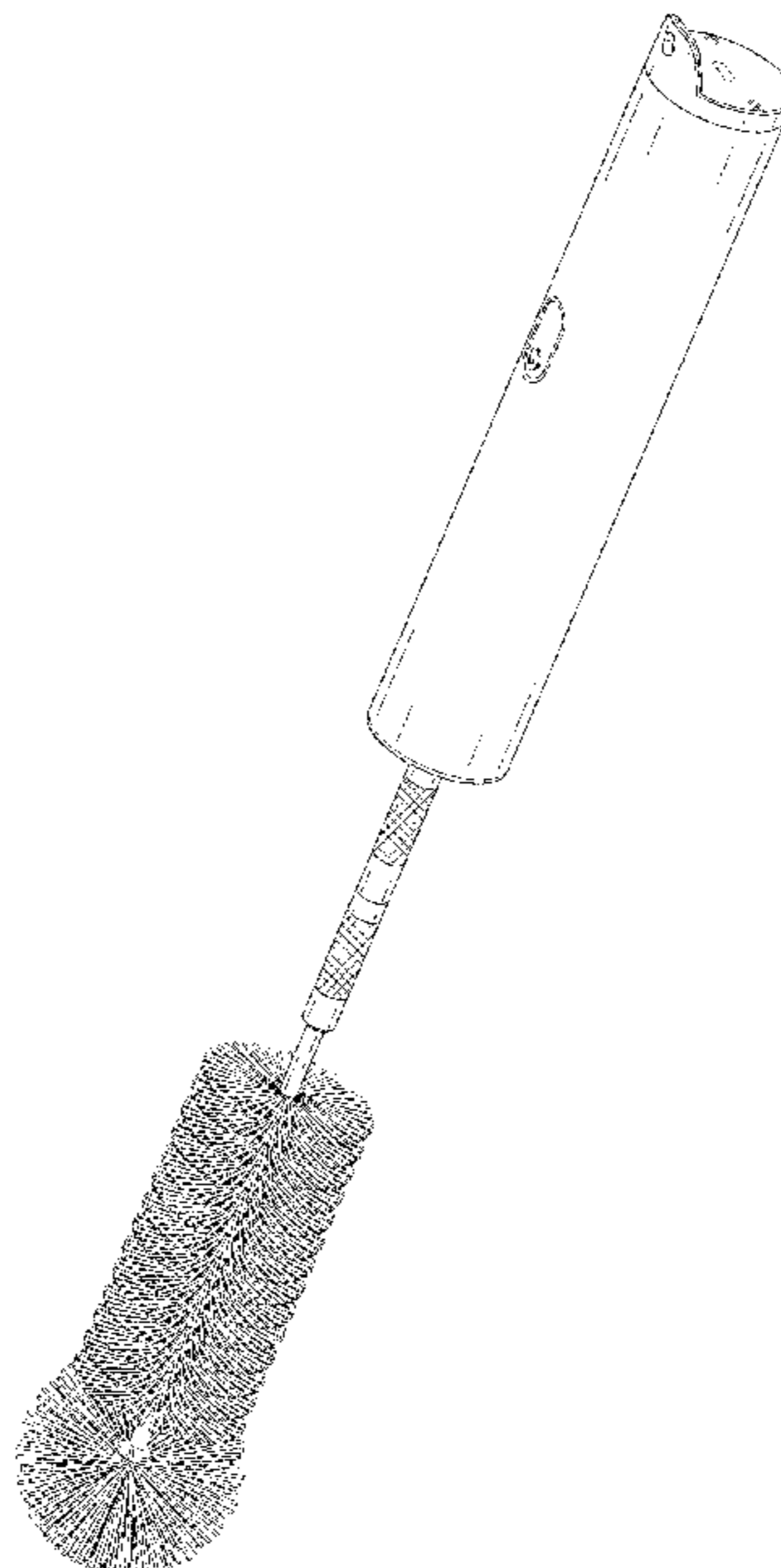
(58) **Field of Classification Search**

USPC D4/100, 102, 109, 114, 115, 116, 117,
D4/118, 119, 120, 121, 122, 123, 124,
D4/125, 126, 127, 128, 129, 130, 131,
D4/132, 133, 134, 135, 136, 137, 138,
D4/199; D32/40, 41, 42, 45, 46, 49, 50,
D32/51; D9/436

CPC . A46B 5/02; A46B 11/002; A46B 2200/3013;
A46B 2200/3006; A46B 2200/3073

See application file for complete search history.

1 Claim, 6 Drawing Sheets



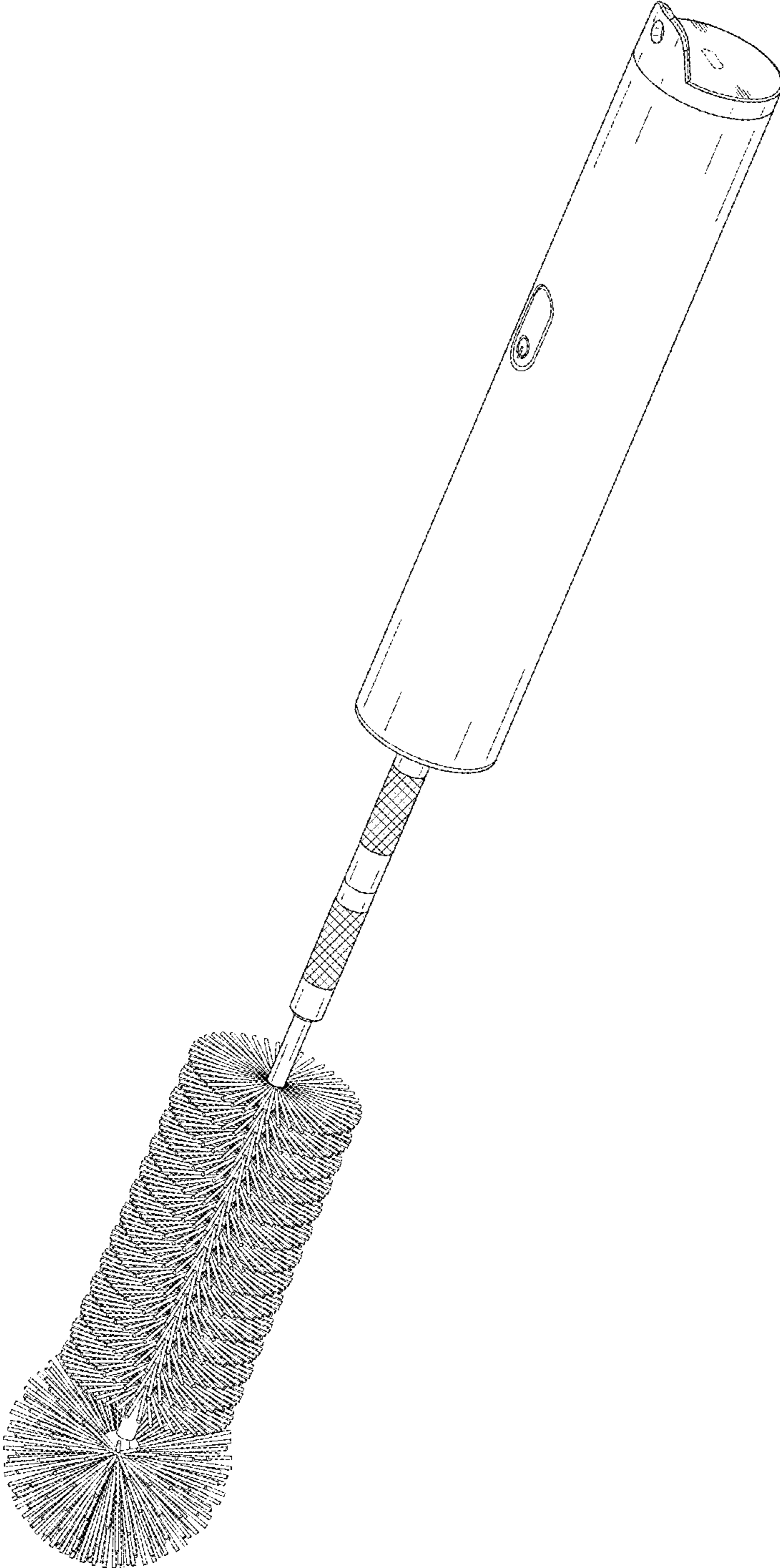


FIG 1

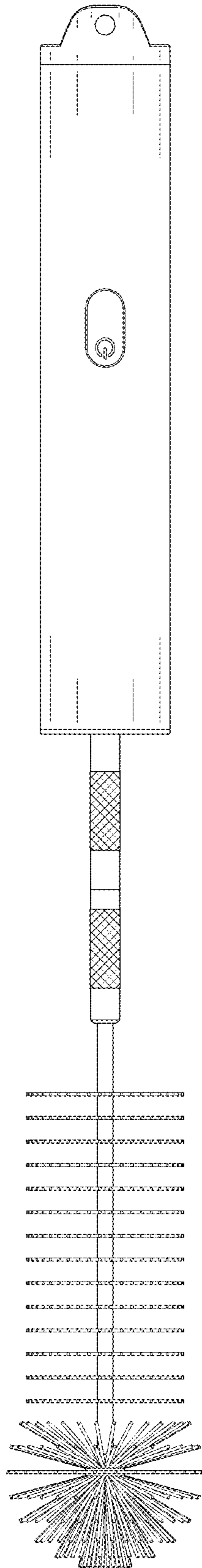


FIG 2

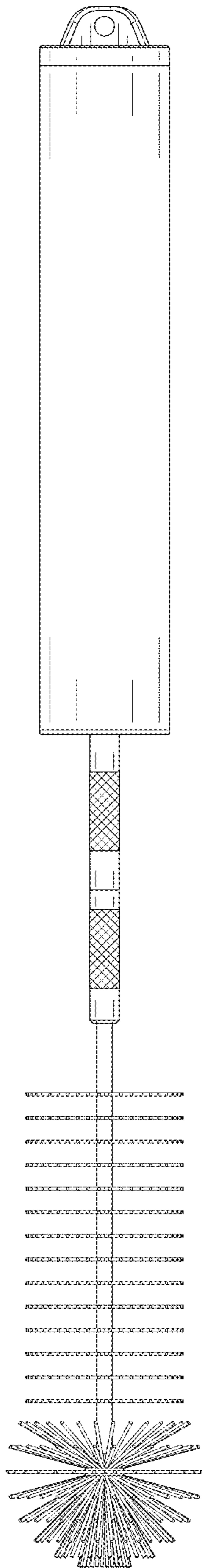


FIG 3

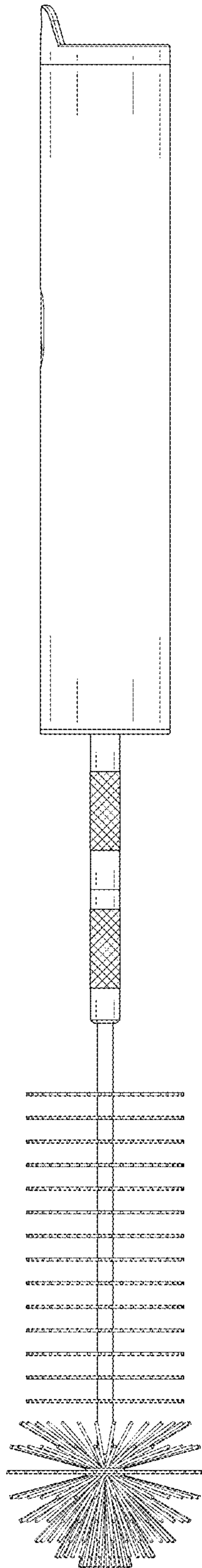


FIG 4

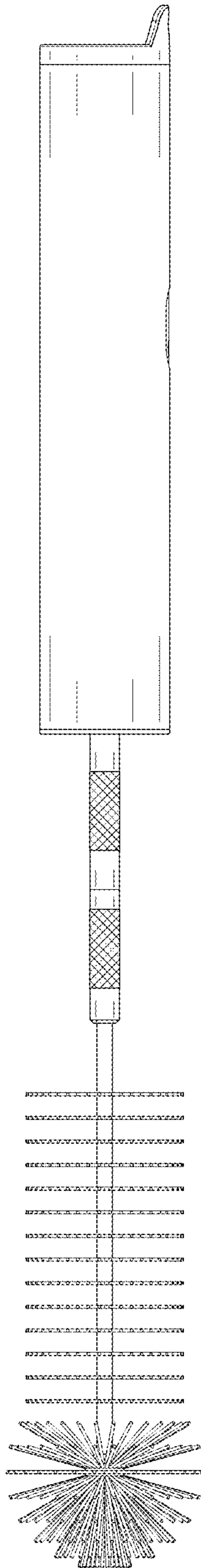


FIG 5

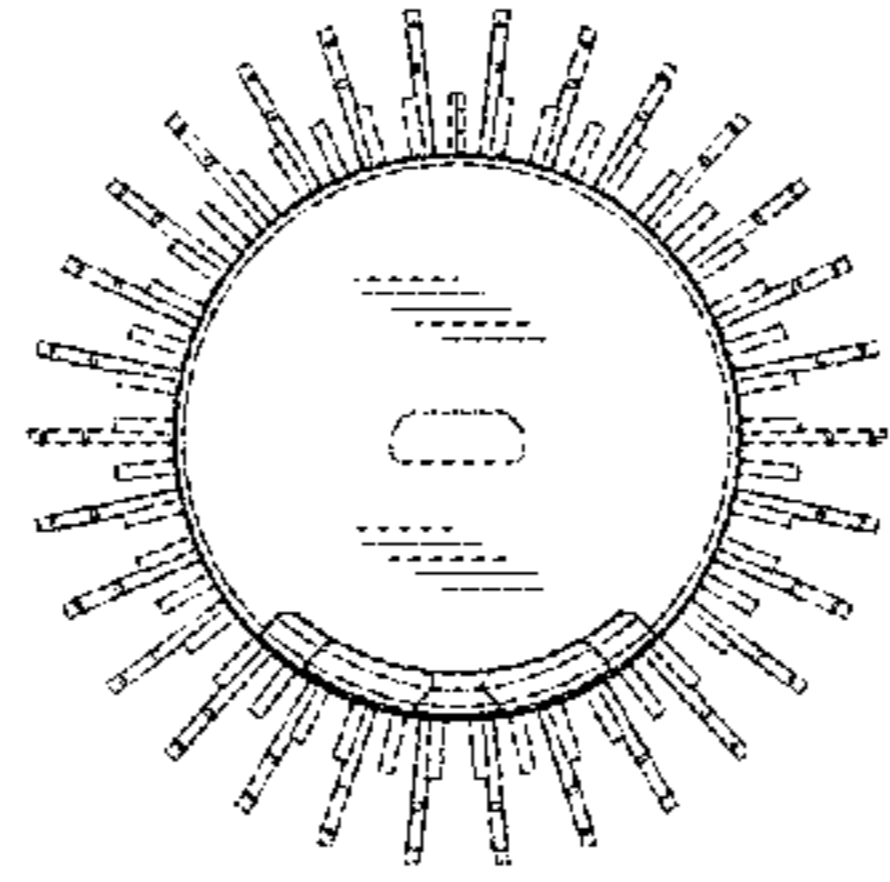


FIG 6

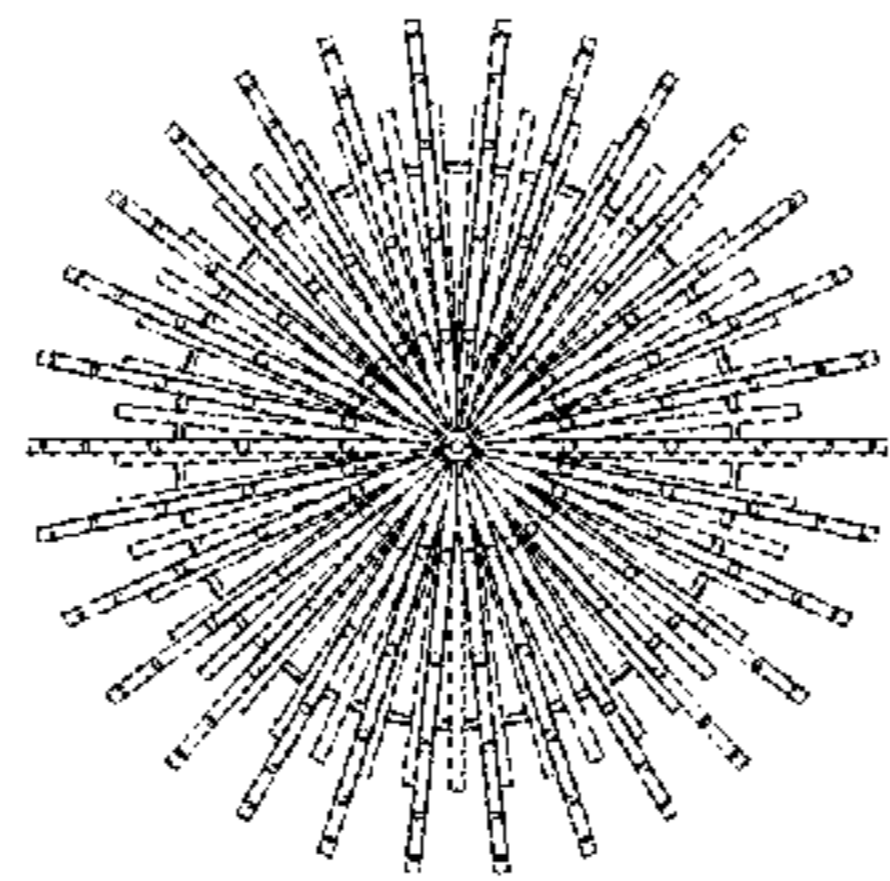


FIG 7