



US00D911027S

(12) **United States Design Patent** (10) **Patent No.:** **US D911,027 S**
Liang et al. (45) **Date of Patent:** **** Feb. 23, 2021**

(54) **EARPHONES WITH CHARGING CASE**

Primary Examiner — April Rivas

(71) Applicant: **Shalin Liang**, Southwest Guizhou Autonomous Prefecture (CN)

(57) **CLAIM**

The ornamental design for an earphones with charging case, as shown and described.

(72) Inventors: **Shalin Liang**, Southwest Guizhou Autonomous Prefecture (CN); **Haihang Lin**, Jieyang (CN)

(73) Assignee: **Shalin Liang**, Southwest Guizhou Autonomous Prefecture (CN)

(**) Term: **15 Years**

(21) Appl. No.: **29/738,941**

(22) Filed: **Jun. 22, 2020**

(30) **Foreign Application Priority Data**

Apr. 30, 2020 (EM) 007845979
Apr. 30, 2020 (EM) 007846001

(51) **LOC (13) Cl.** **03-01**

(52) **U.S. Cl.**
USPC **D3/274**; D3/294; D13/108; D14/223

(58) **Field of Classification Search**
USPC D3/201, 218, 273, 274, 294, 208, 212,
D3/302; D13/108; D14/223
(Continued)

(56) **References Cited**

U.S. PATENT DOCUMENTS

D818,268 S * 5/2018 Akana D3/294
D826,152 S * 8/2018 Christiansen D13/108
(Continued)

OTHER PUBLICATIONS

Amazon, "Bluetooth Earbuds, Bluetooth 5.0 in-Ear Earphones Built-in Mic Headset TWS . . .", First on sale Jan. 2, 2020. (<https://www.amazon.com/Bluetooth-Earphones-Cancelling-Waterproof-Headphones/dp/B083DPVRTD?th=1>) (Year: 2020).*

DESCRIPTION

FIG. 1 is a front perspective view of a charging case of earphones with charging case showing my new design where the charging case is shown separately for ease of illustration;

FIG. 2 is a rear perspective view thereof;

FIG. 3 is another front perspective view thereof;

FIG. 4 is a front elevational view thereof;

FIG. 5 is a rear elevational view thereof;

FIG. 6 is a left side elevational view thereof;

FIG. 7 is a right side elevational view thereof;

FIG. 8 is a top plan view thereof;

FIG. 9 is a bottom plan view thereof;

FIG. 10 is a rear perspective view of earphones of the earphone with charging case where the charging case is removed for ease of illustration;

FIG. 11 is a front perspective view thereof;

FIG. 12 is a front elevational view thereof;

FIG. 13 is a rear elevational view thereof;

FIG. 14 is a left side elevational view thereof;

FIG. 15 is a right side elevational view thereof;

FIG. 16 is a top plan view thereof;

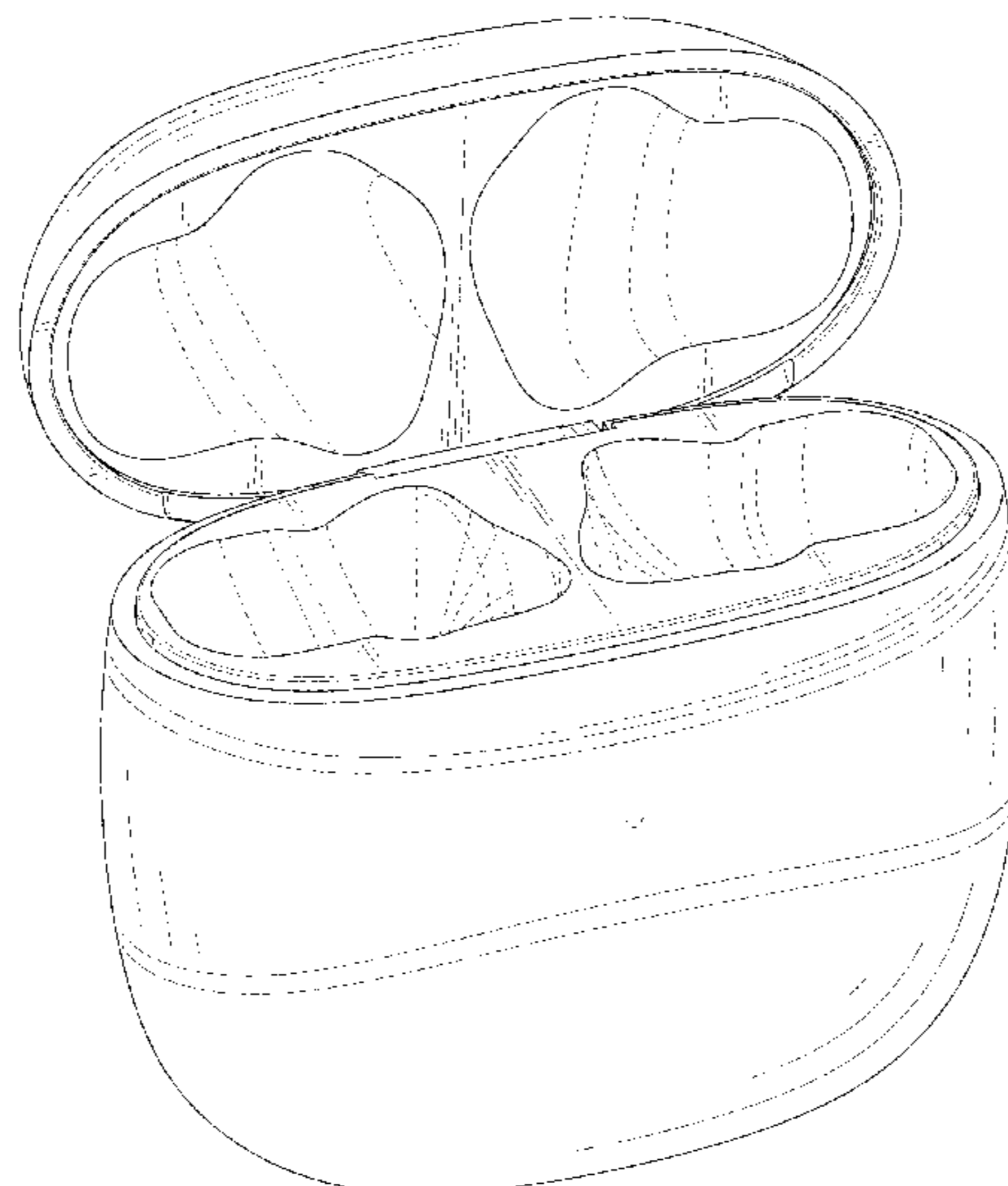
FIG. 17 is a bottom plan view thereof;

FIG. 18 is a front perspective view of the earphones with charging case where the charging case is in an open position; and,

FIG. 19 is a front perspective view of the charging case of the earphones with charging case where the charging case is closed.

The broken lines in the drawings depict portions of the earphones with charging case that form no part of the claimed design.

1 Claim, 19 Drawing Sheets



(58) **Field of Classification Search**

CPC A45C 2011/001; A45C 13/002; H04R
1/1025

See application file for complete search history.

(56) **References Cited**

U.S. PATENT DOCUMENTS

D849,401	S	*	5/2019	Akana	D3/274
D870,451	S	*	12/2019	Birger	D3/201
D878,045	S		3/2020	Akana et al.		
D881,572	S	*	4/2020	Wang	D3/294
D886,453	S	*	6/2020	Wright	D3/294
D890,091	S	*	7/2020	Cramer	D13/108
D893,184	S	*	8/2020	Liu	D3/294
D893,185	S	*	8/2020	Liu	D3/294
10,750,268	B2	*	8/2020	Dang	H04R 1/1025
D895,582	S	*	9/2020	Wu	D14/223
D901,377	S	*	11/2020	Zhou	D13/108
D901,382	S	*	11/2020	Zhang	D13/108

* cited by examiner

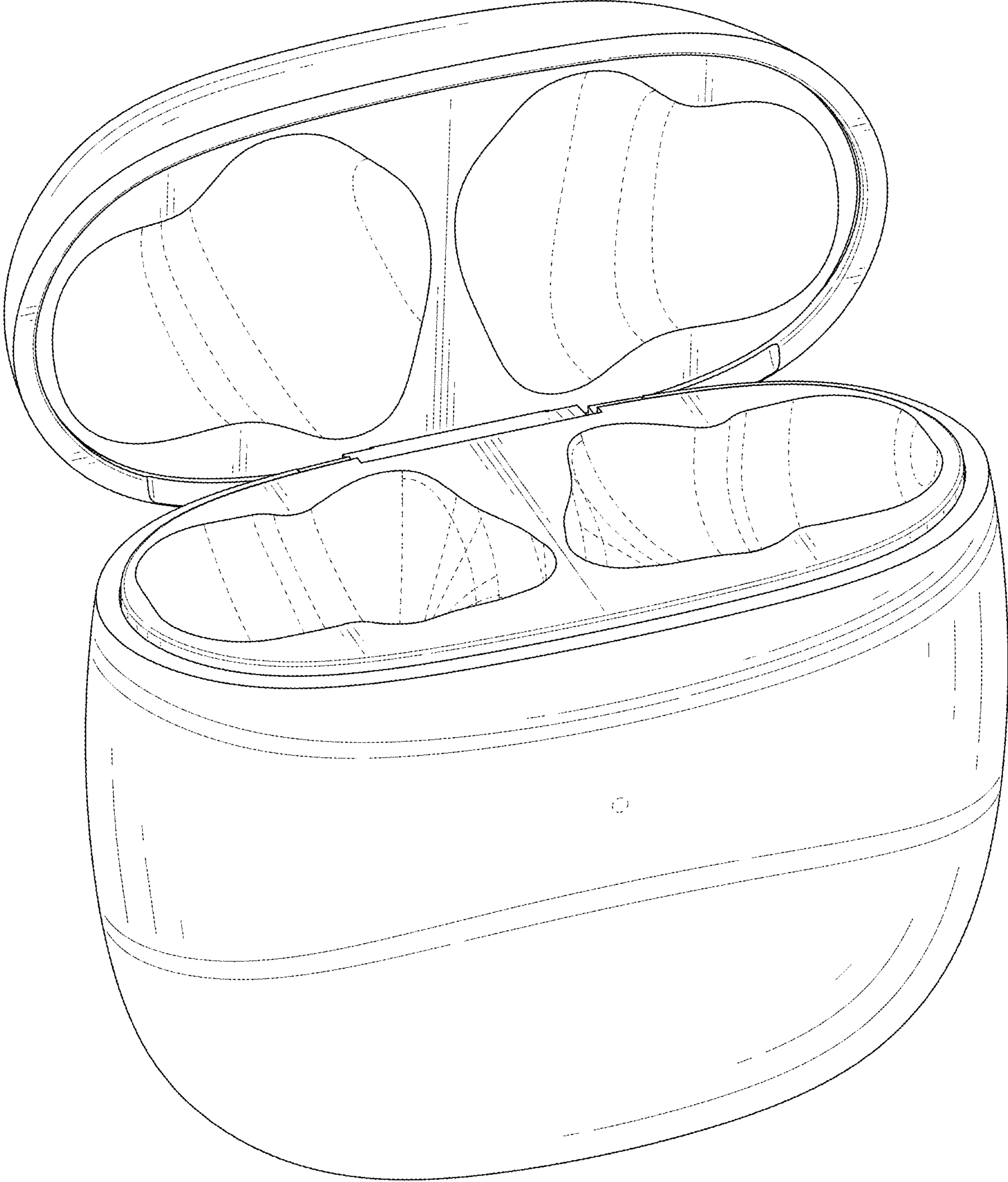


FIG. 1

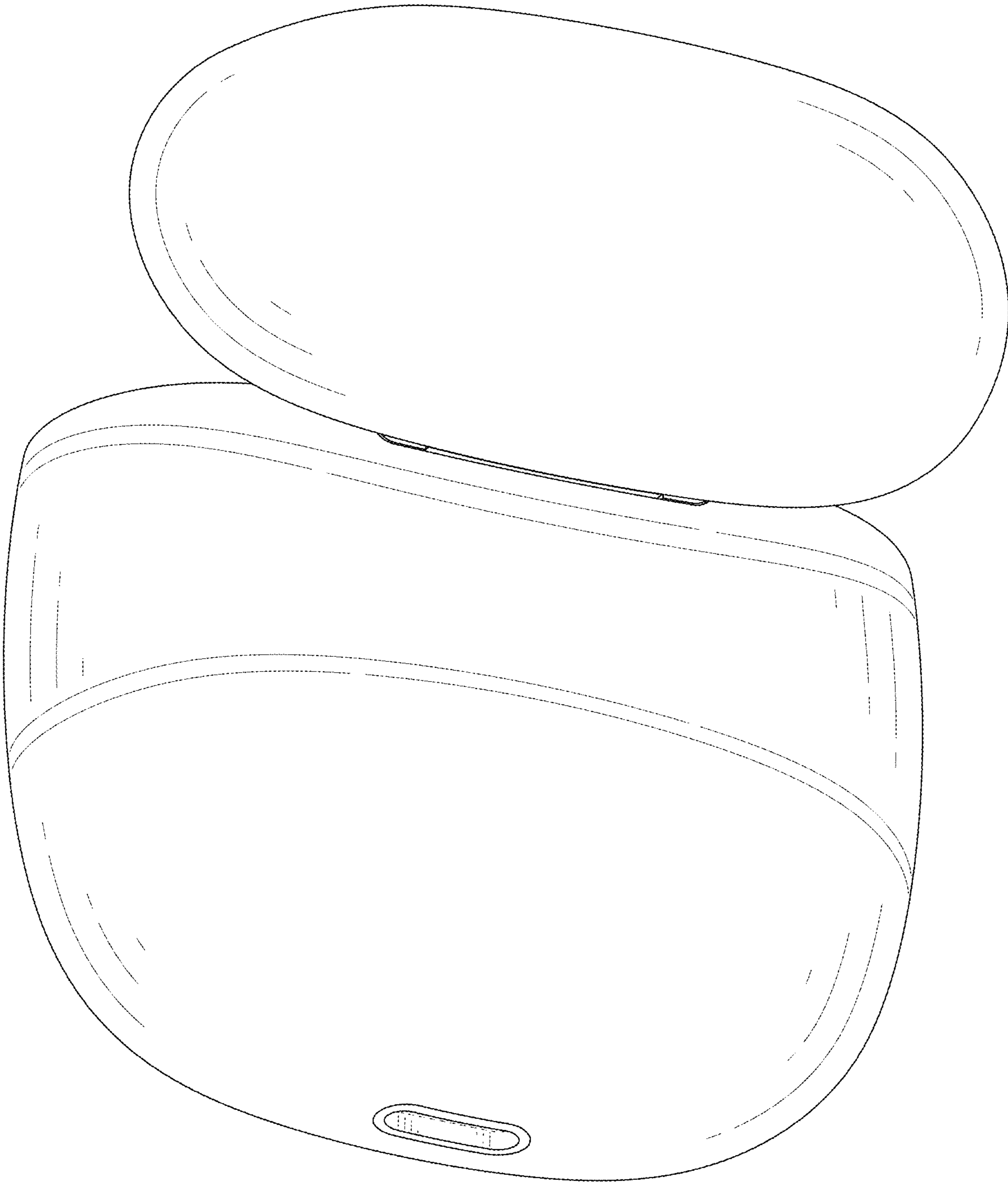


FIG. 2

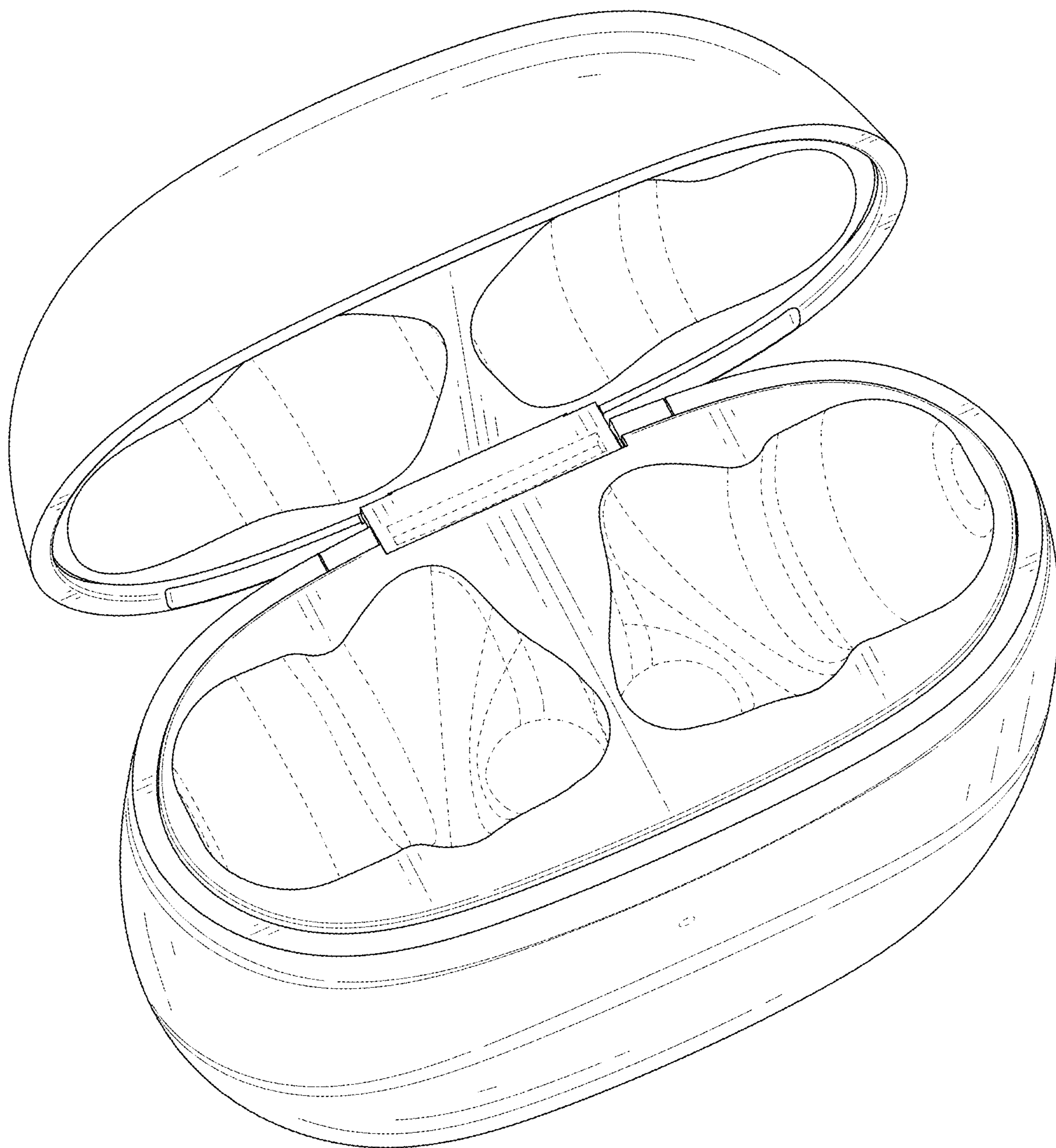


FIG. 3

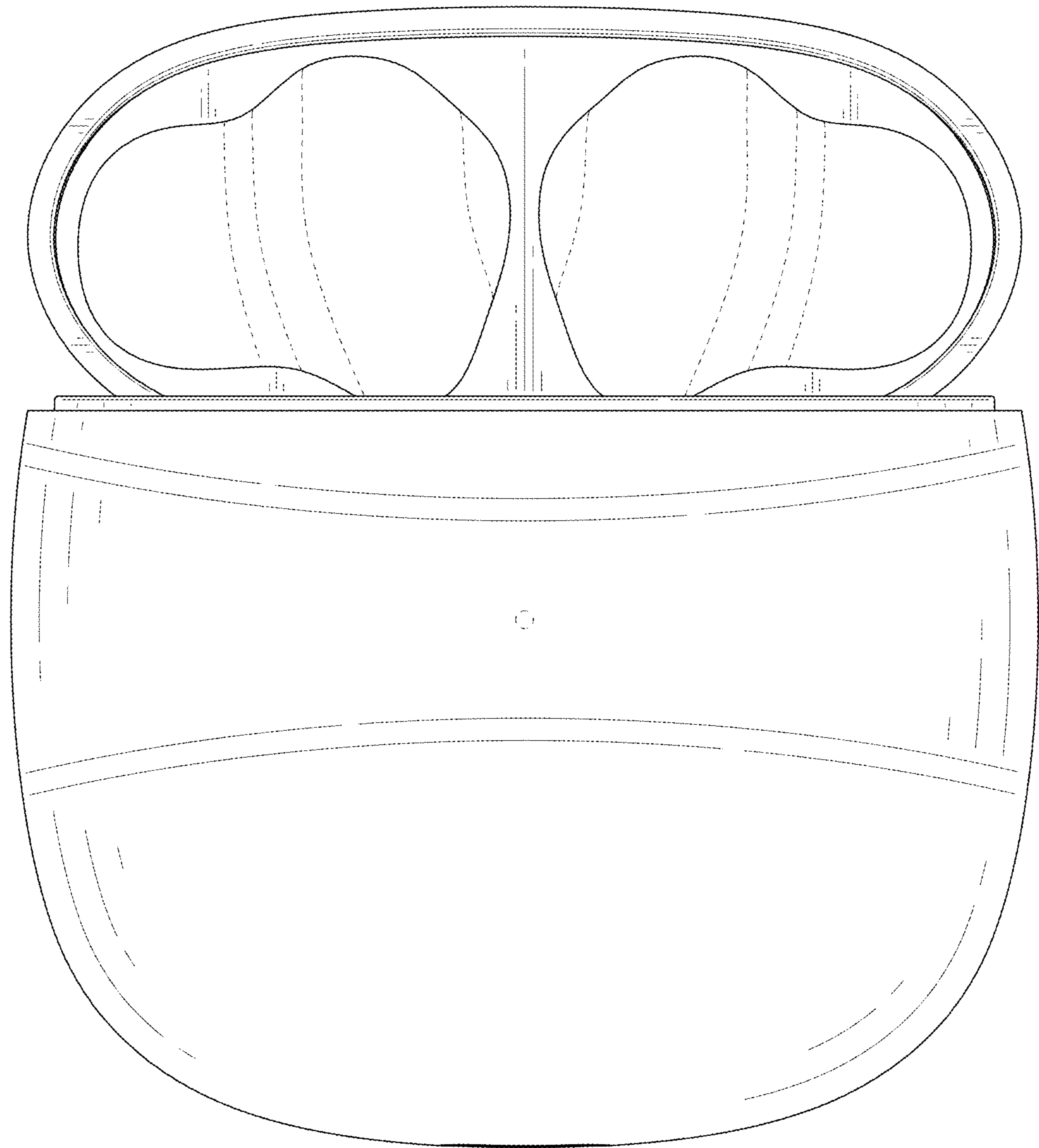


FIG. 4

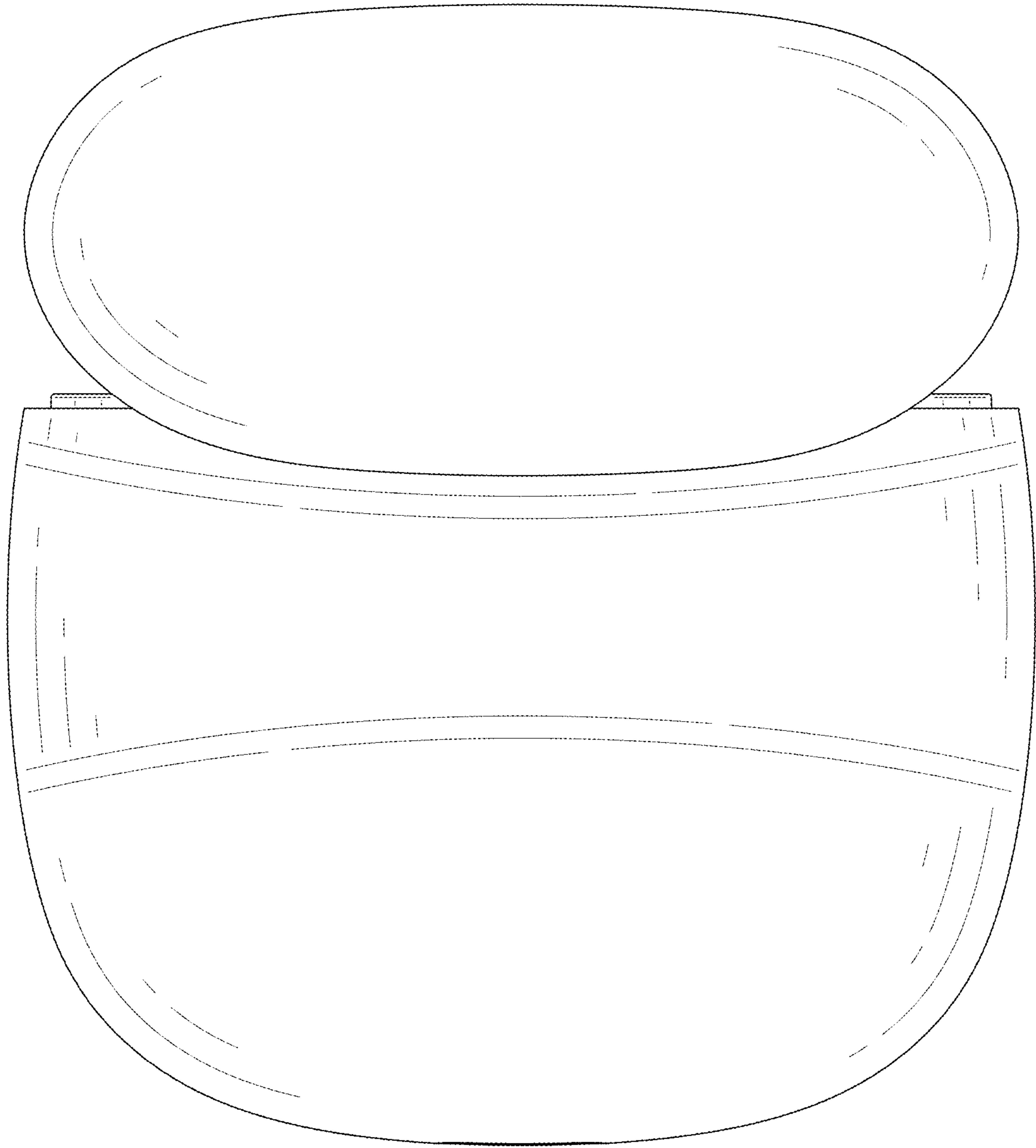


FIG. 5

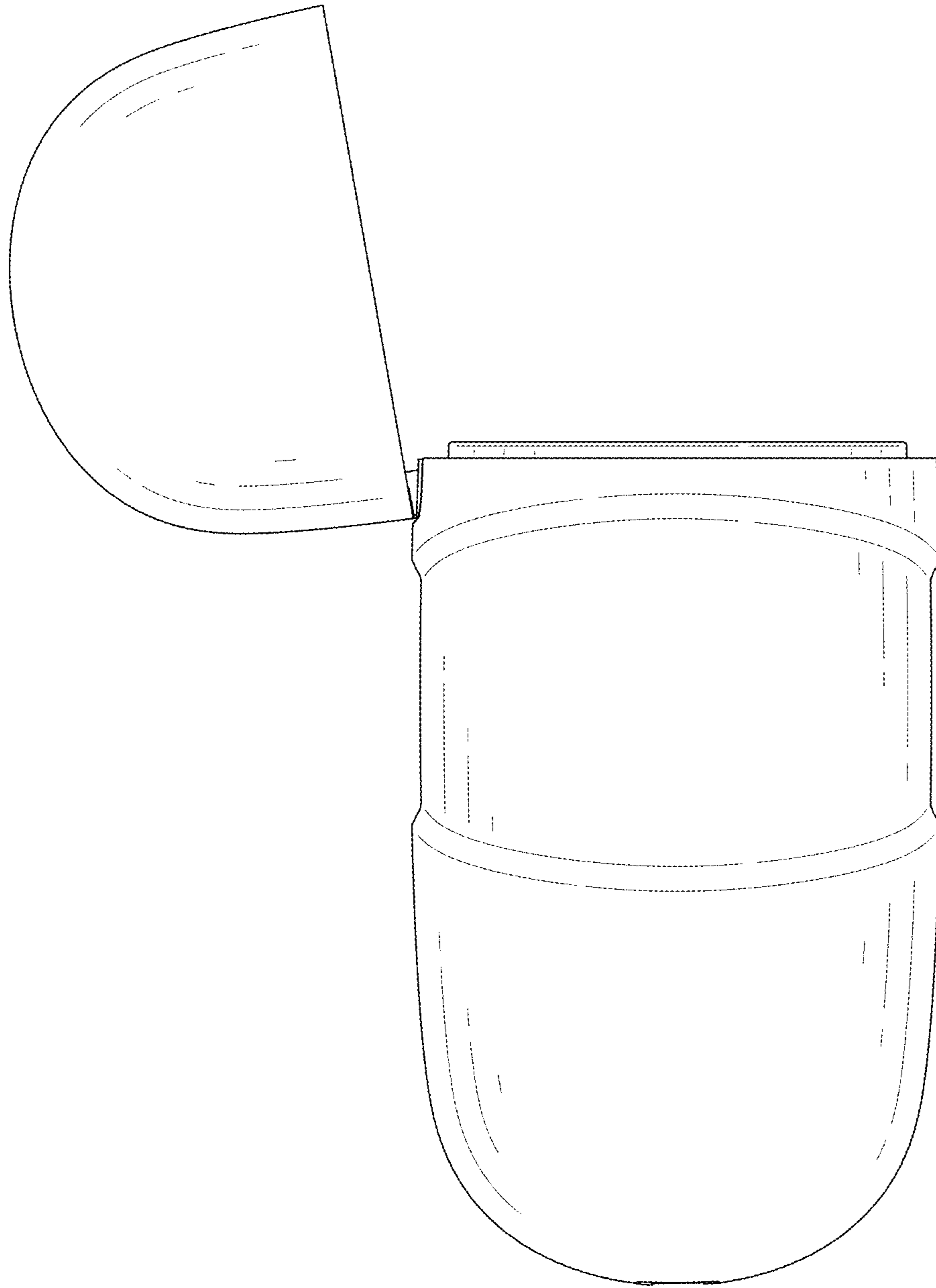


FIG. 6

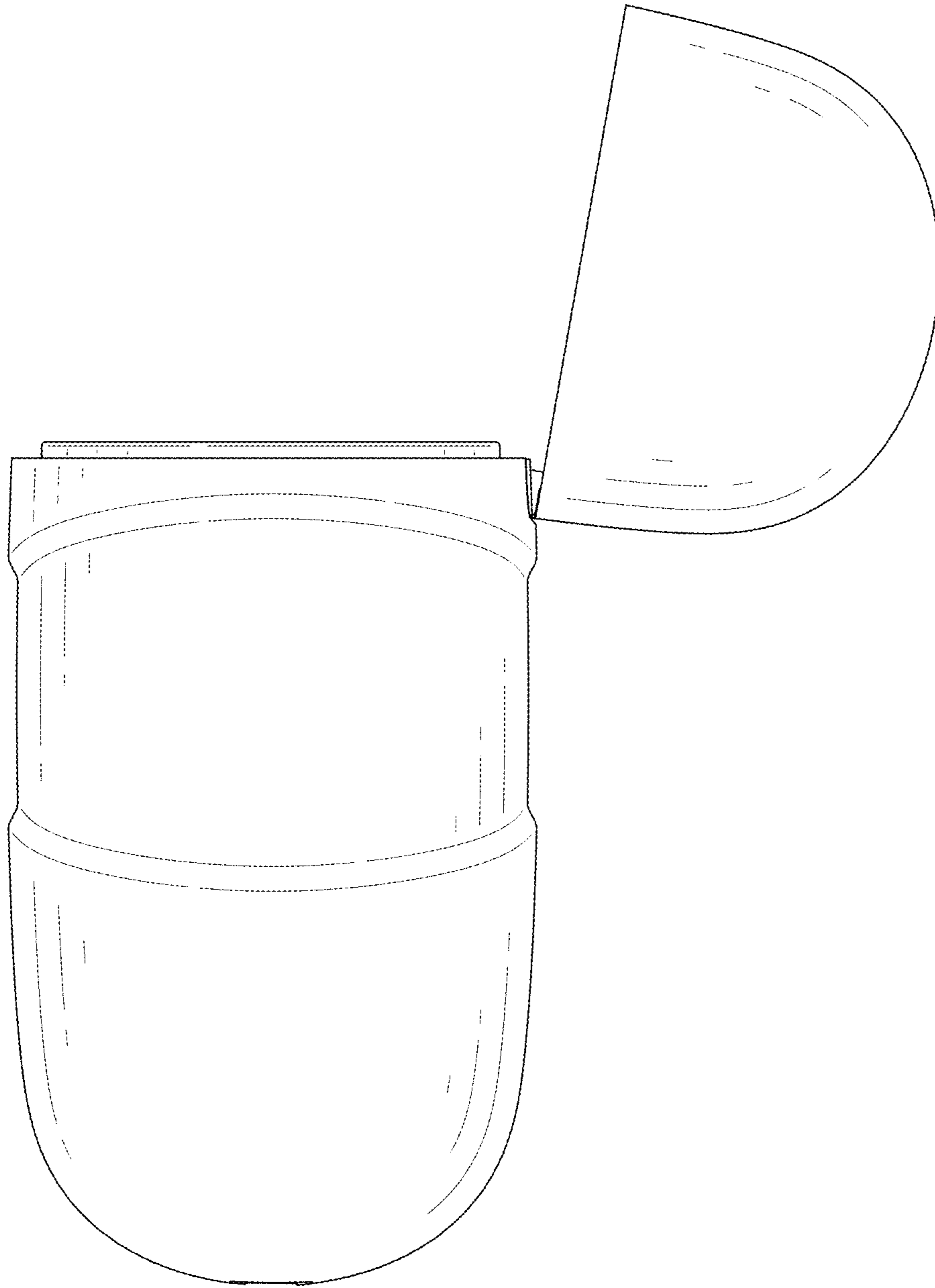


FIG. 7

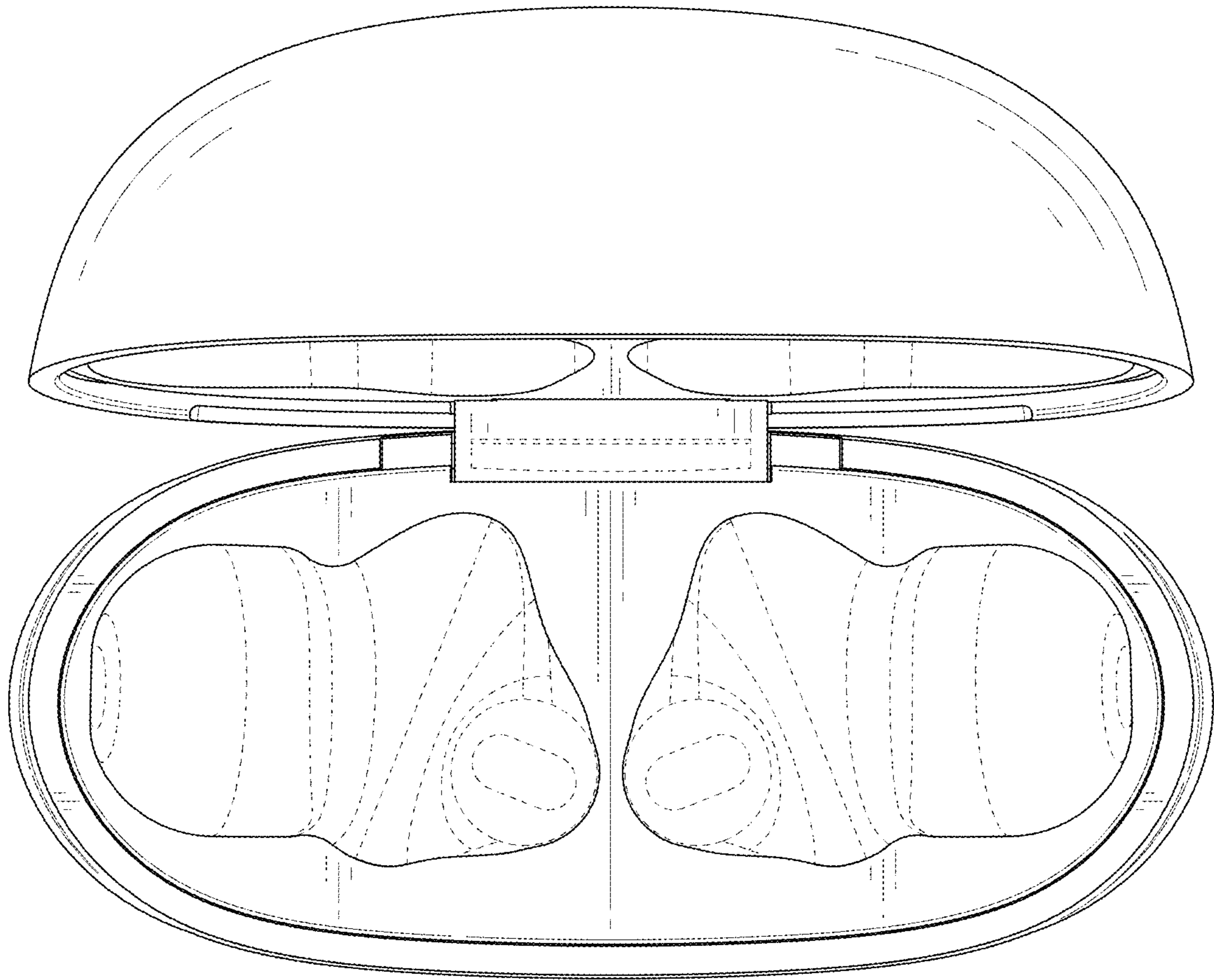


FIG. 8

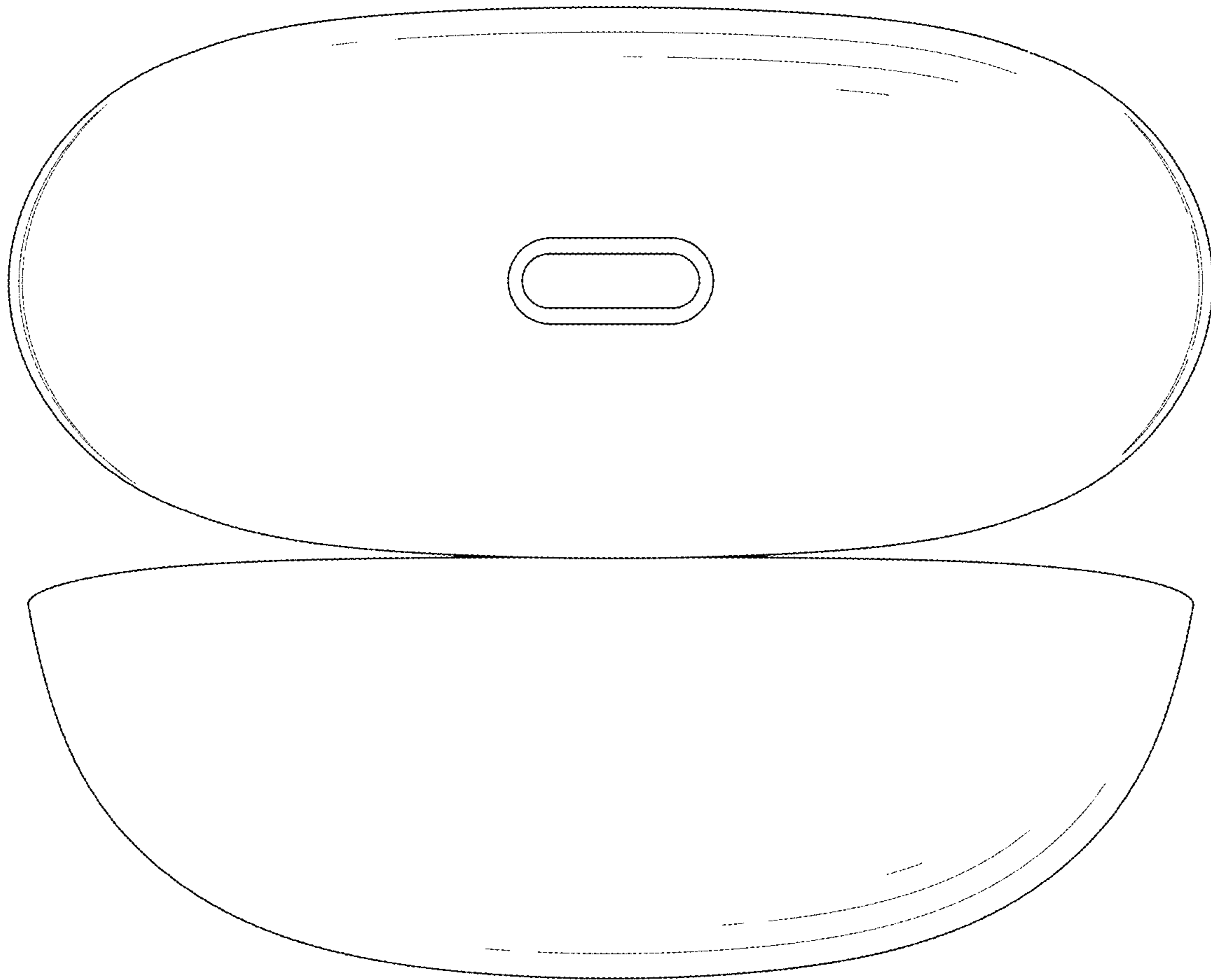


FIG. 9

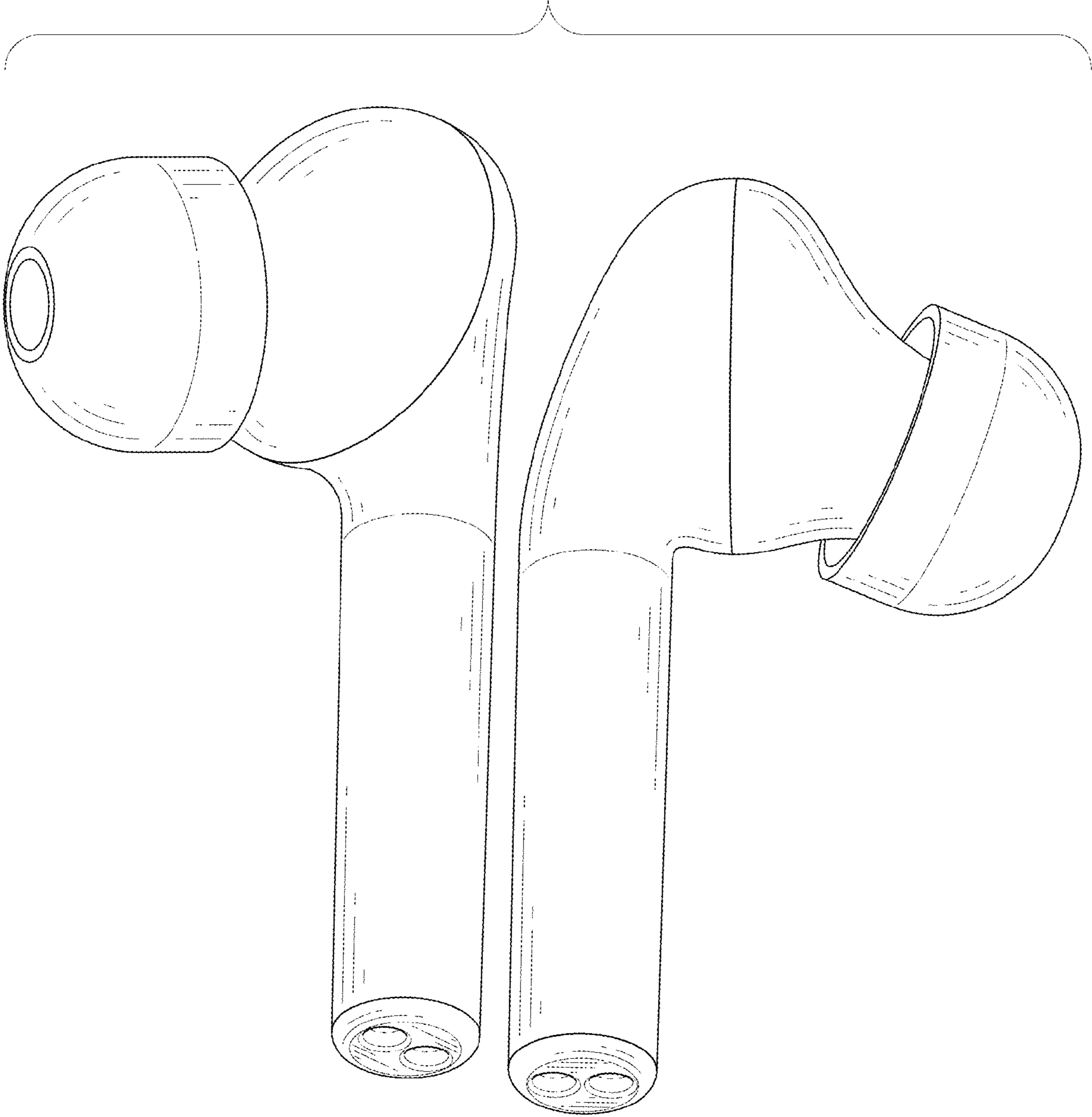


FIG. 10

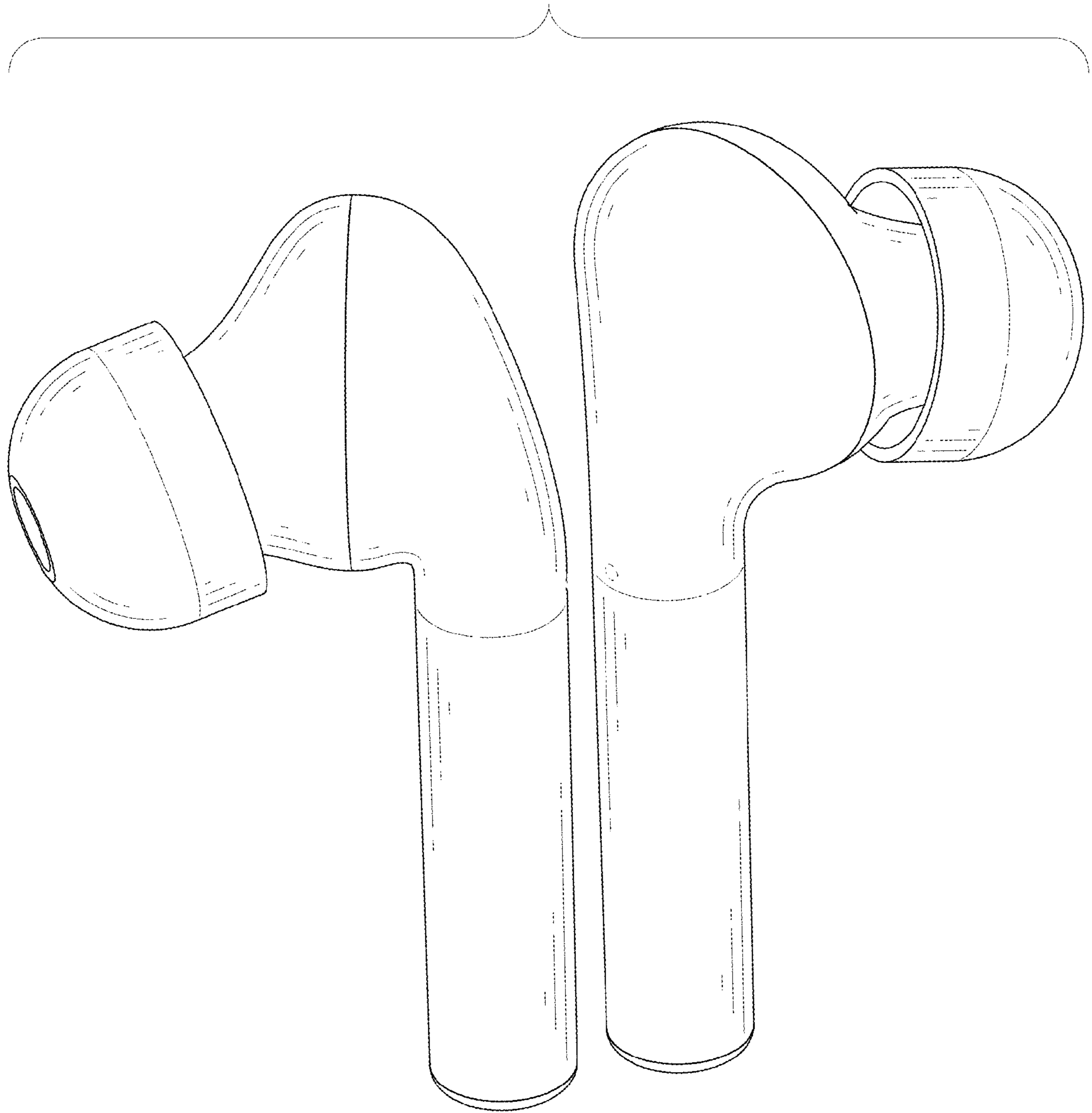


FIG. 11

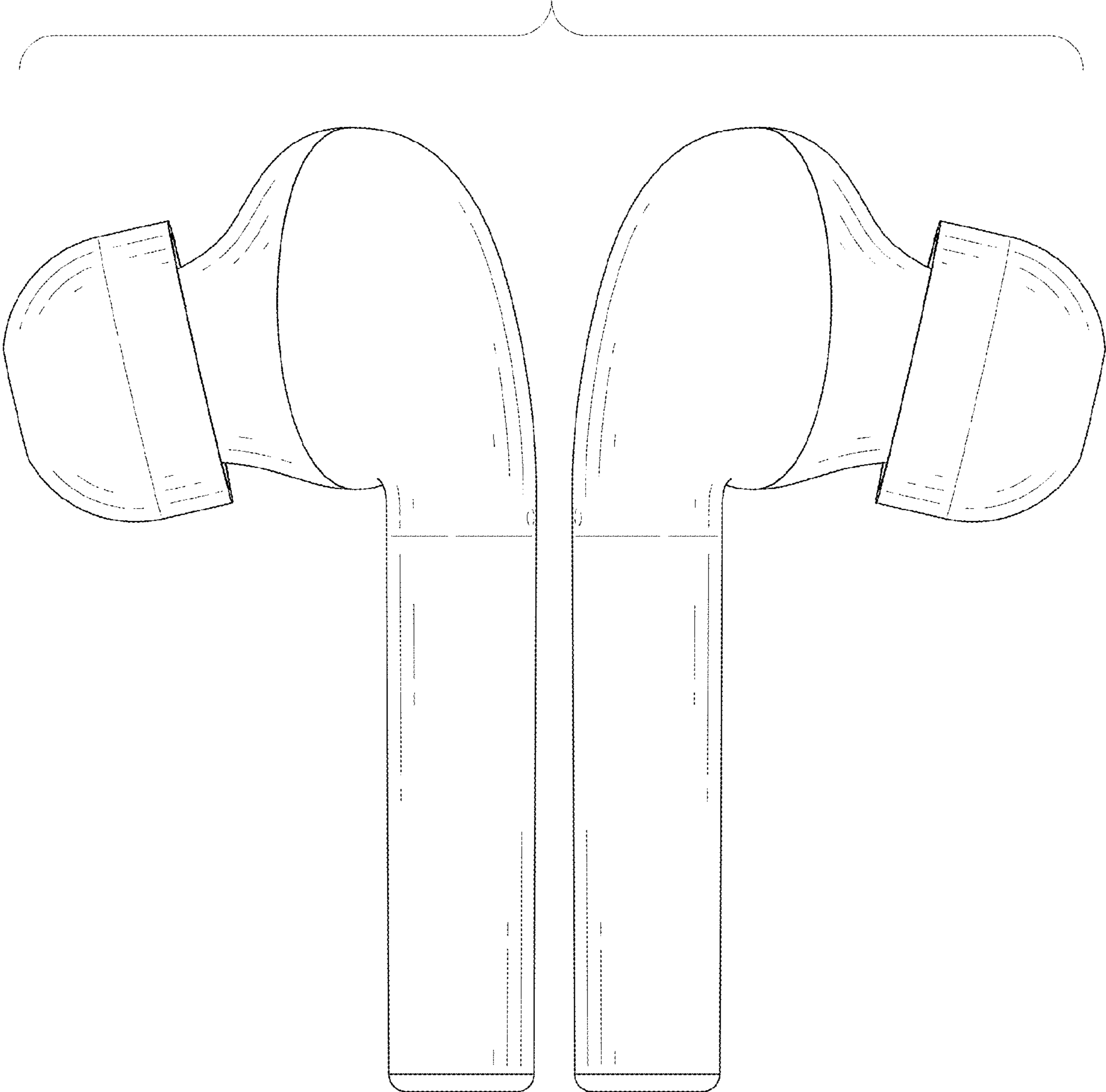


FIG. 12

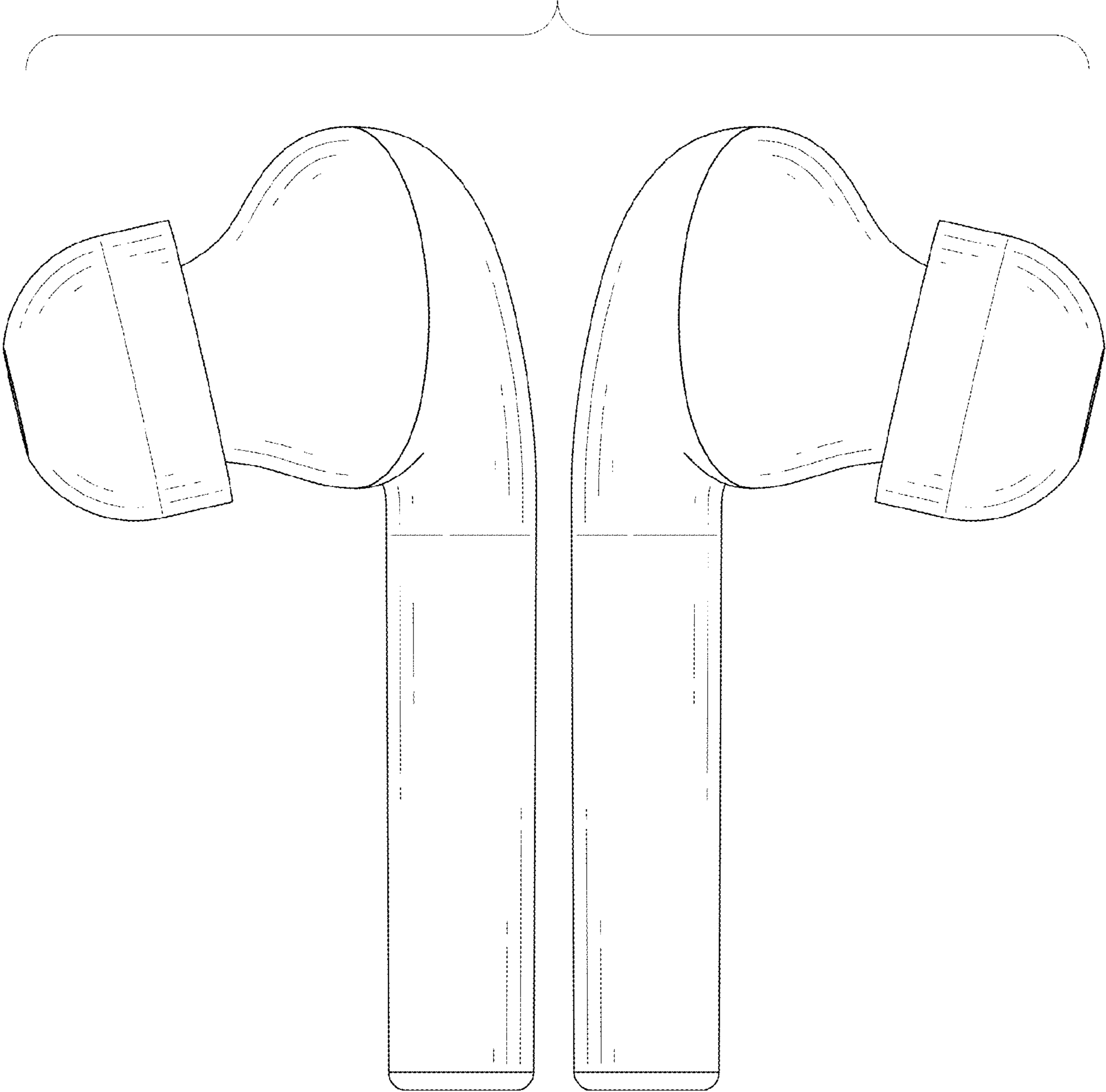


FIG. 13

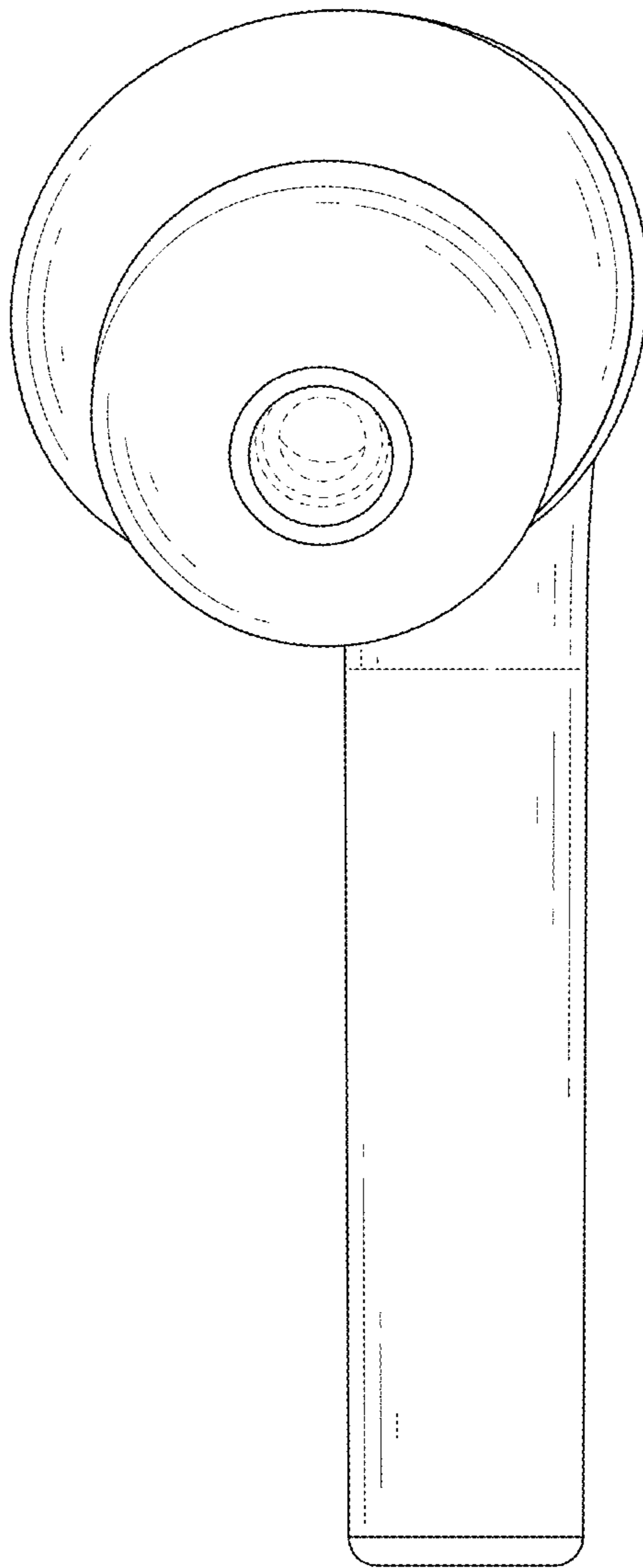


FIG. 14

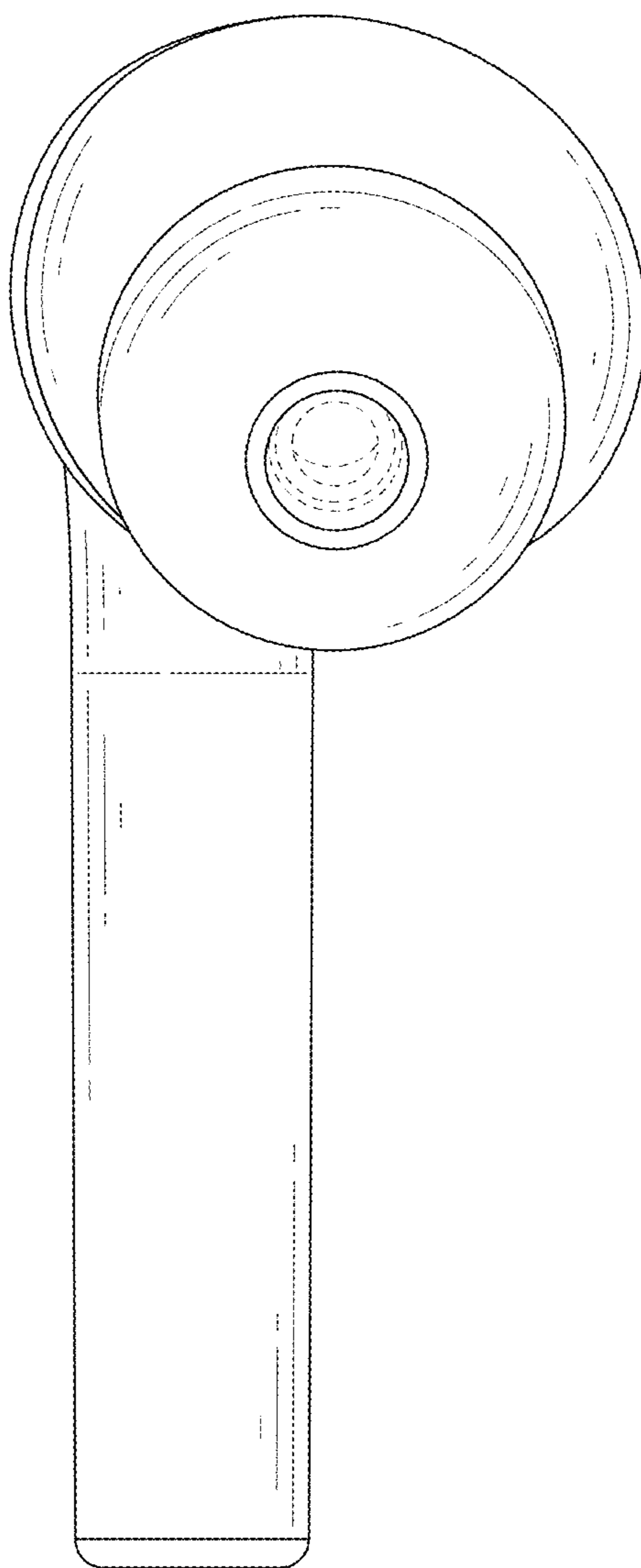


FIG. 15

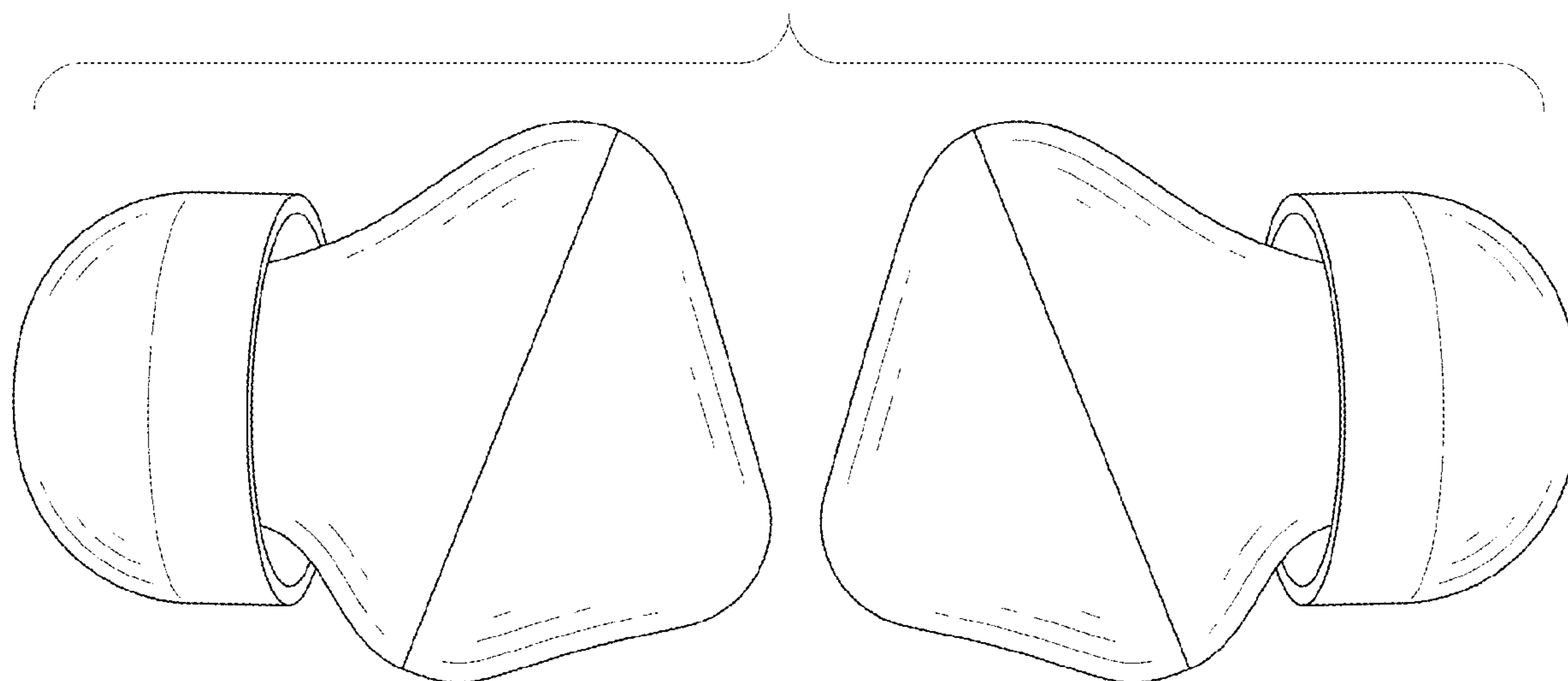


FIG. 16

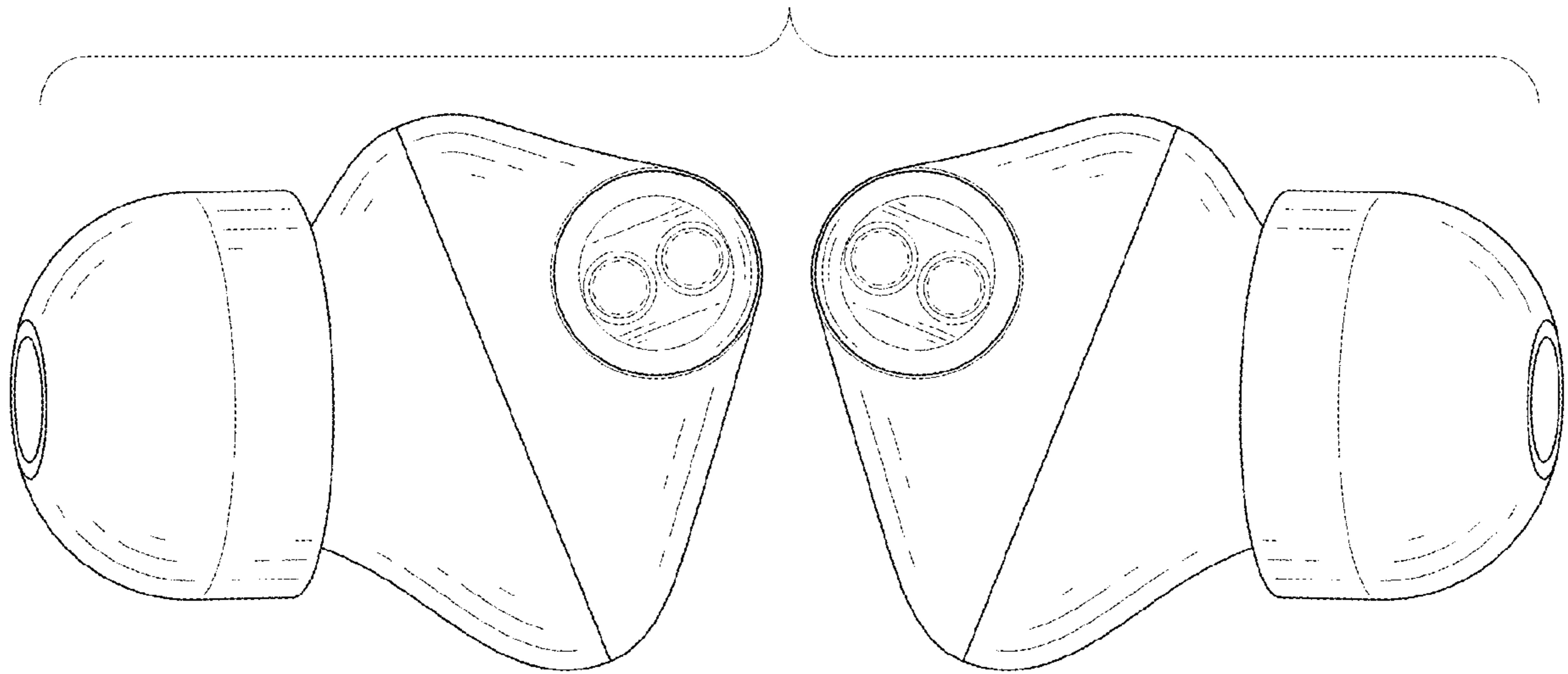


FIG. 17



FIG. 18

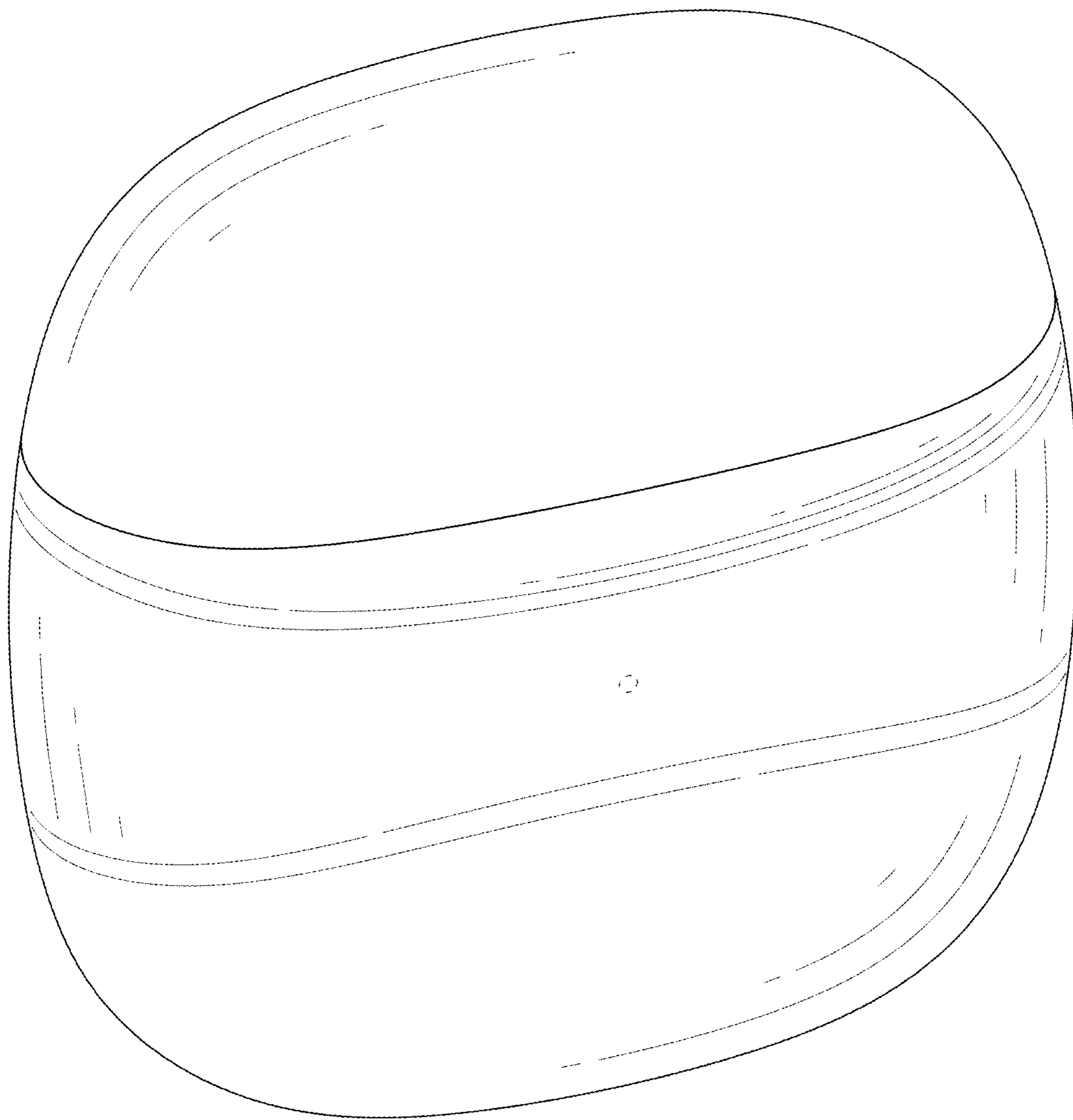


FIG. 19