



US00D911025S

(12) **United States Design Patent** (10) **Patent No.:** **US D911,025 S**
Long (45) **Date of Patent:** **** Feb. 23, 2021**

(54) **CELL PHONE HOLSTER**
(71) Applicant: **Manna Long**, Shenzhen (CN)
(72) Inventor: **Manna Long**, Shenzhen (CN)
(**) Term: **15 Years**
(21) Appl. No.: **29/747,448**
(22) Filed: **Aug. 22, 2020**
(51) **LOC (13) Cl.** **03-01**
(52) **U.S. Cl.**
USPC **D3/218**
(58) **Field of Classification Search**
USPC D3/218, 201, 215, 219, 269, 301, 303;
224/196, 240-241, 578, 674, 676-683,
224/600, 605, 625, 901, 904, 930;
D14/248, 250-251
CPC . A45C 1/04; A45C 11/182; A45F 5/00; A45F
5/02; A45F 5/021; A45F 2200/05; A45F
2200/0508; A45F 2200/0516; A45F
2200/0525; A45F 3/02; A45F 3/14
See application file for complete search history.

D819,960 S * 6/2018 Zhang D3/218
D880,149 S * 4/2020 Yang D3/226
D885,753 S 6/2020 Stewart
D891,760 S * 8/2020 Eremita D3/218
D894,593 S * 9/2020 Zhang D3/218

* cited by examiner

Primary Examiner — Catherine R Oliver-Garcia
(74) *Attorney, Agent, or Firm* — Rumit Ranjit Kanakia

(56) **References Cited**
U.S. PATENT DOCUMENTS
D368,800 S * 4/1996 Shink D3/218
D534,720 S * 1/2007 Infanti D3/218
D619,803 S 7/2010 Fuller
D637,393 S 5/2011 Stampfli
D695,007 S 12/2013 Zhang
8,899,458 B1 * 12/2014 Heien A45F 5/021
224/675
D743,955 S 11/2015 Wu
D773,176 S * 12/2016 Boyd D3/218

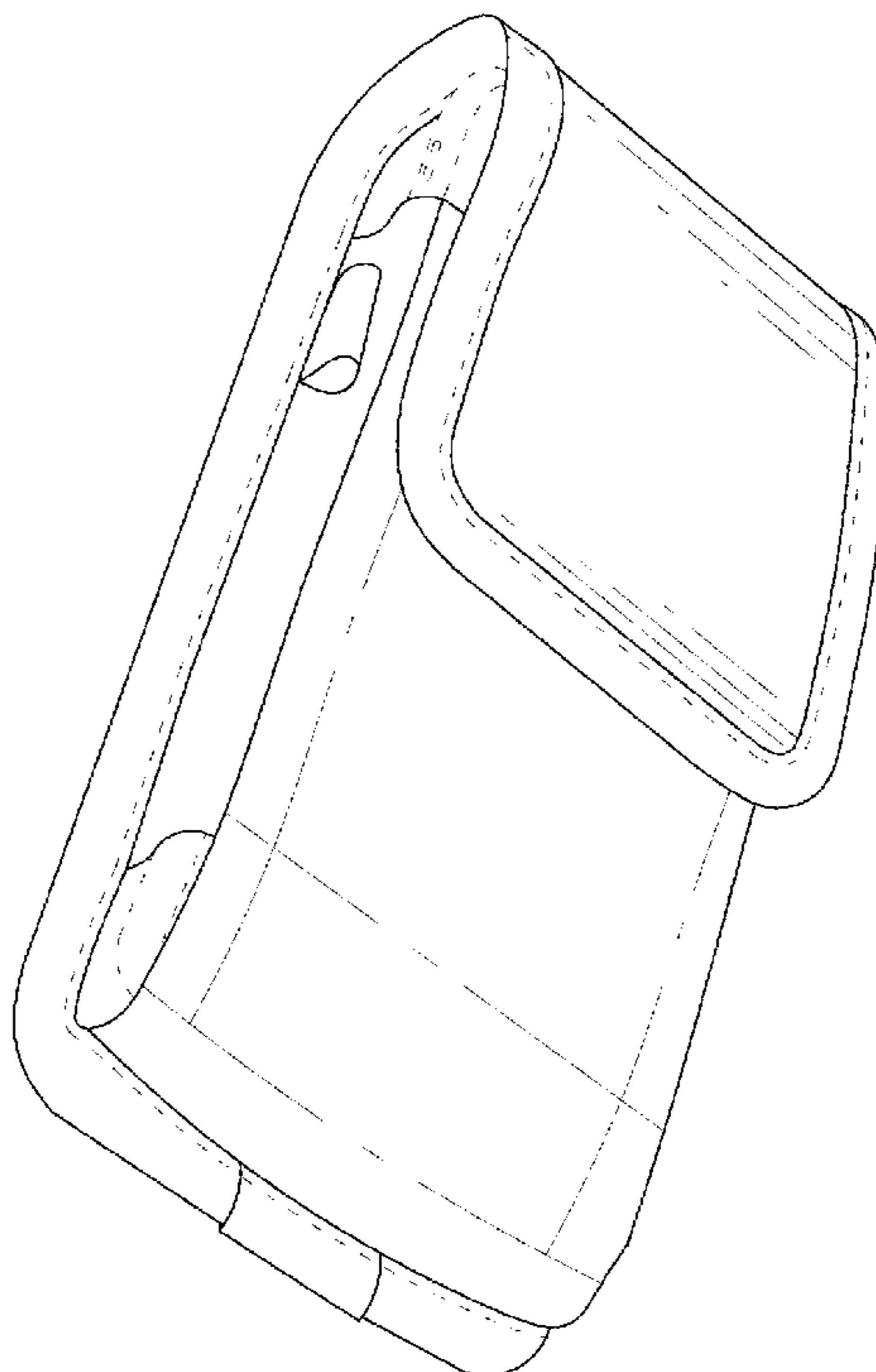
(57) **CLAIM**

I claim the ornamental design for a cell phone holster, as shown and described.

DESCRIPTION

FIG. 1 is a front perspective view of a cell phone holster showing my new design;
FIG. 2 is a front perspective view of a cell phone holster, shown in an open position;
FIG. 3 is a front elevation view of a cell phone holster;
FIG. 4 is a rear elevation view thereof;
FIG. 5 is a right side elevation view thereof;
FIG. 6 is a left side elevation view thereof;
FIG. 7 is a top plan view thereof; and,
FIG. 8 is a bottom plan view thereof.
The broken line showing of a cell phone is included for the purpose of illustrating and forms no part of the claimed design.
The remaining broken lines shown in the drawings represent top-stitching.

1 Claim, 6 Drawing Sheets



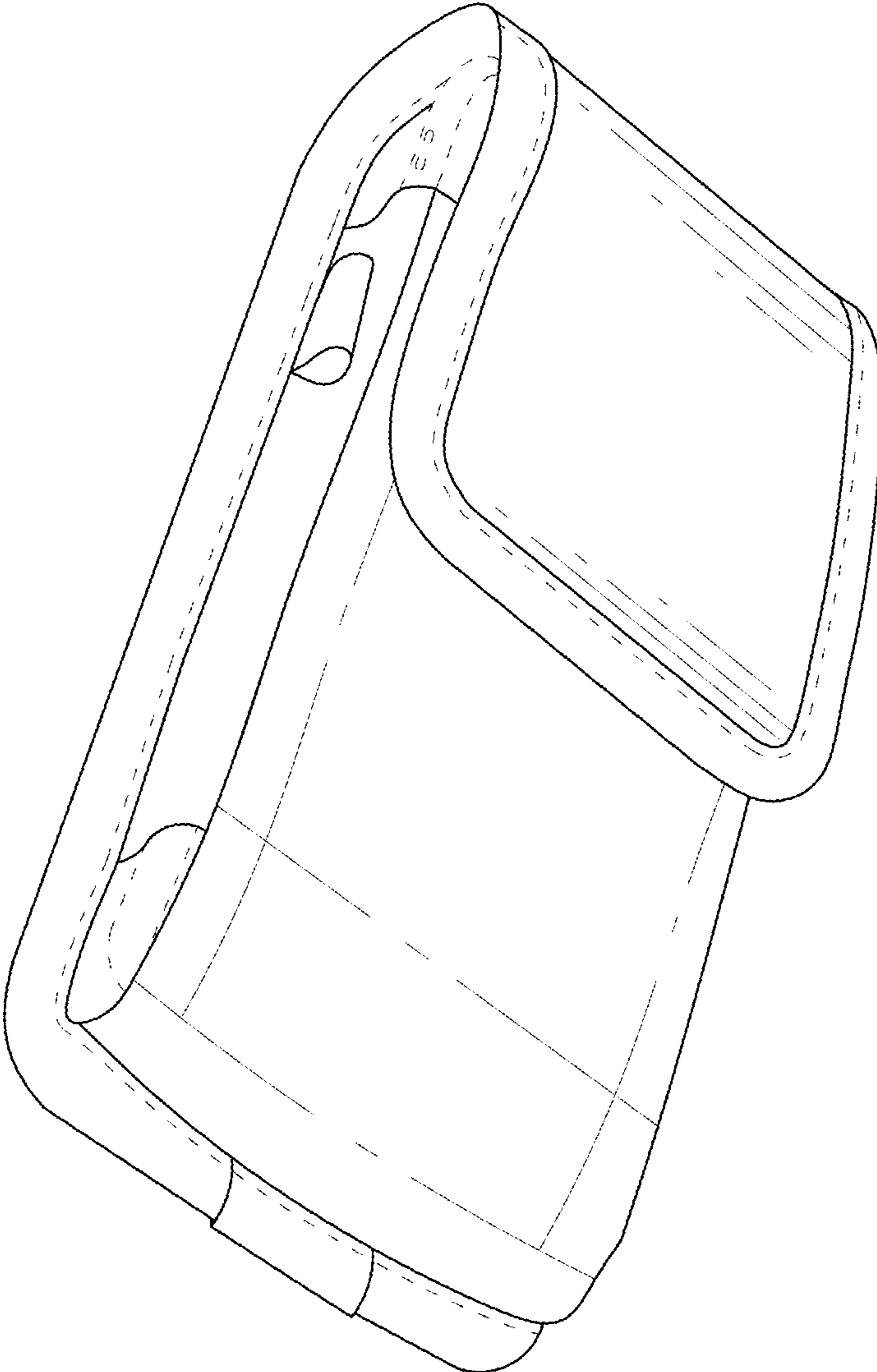


FIG. 1

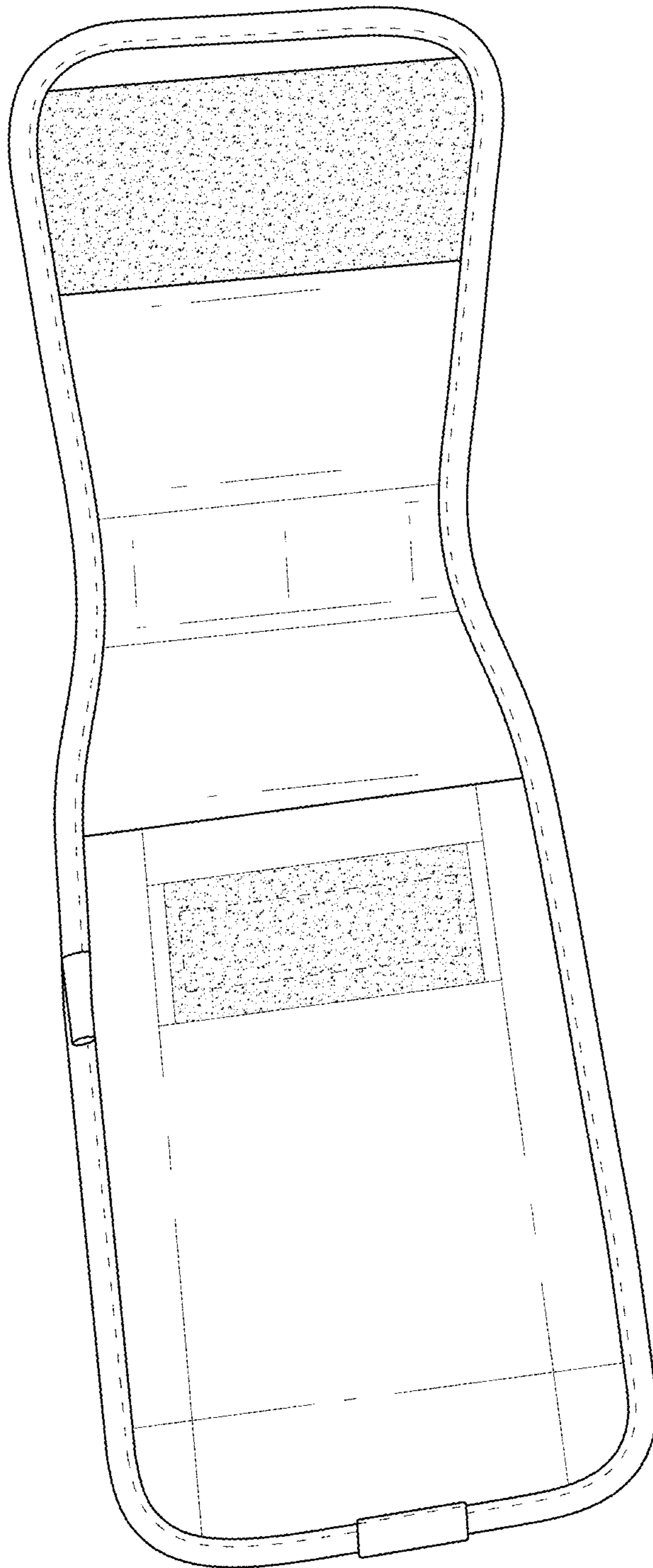


FIG. 2

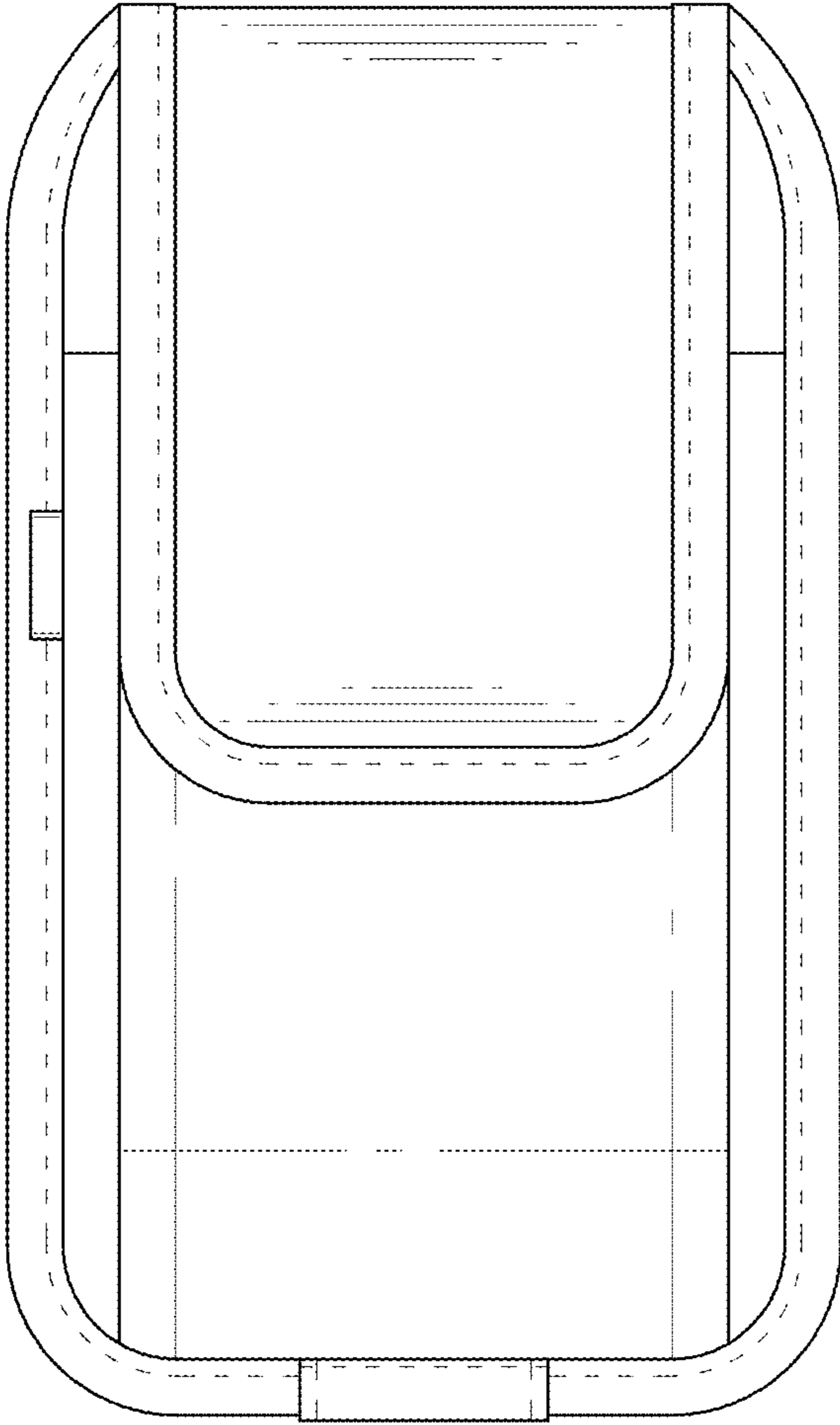


FIG. 3

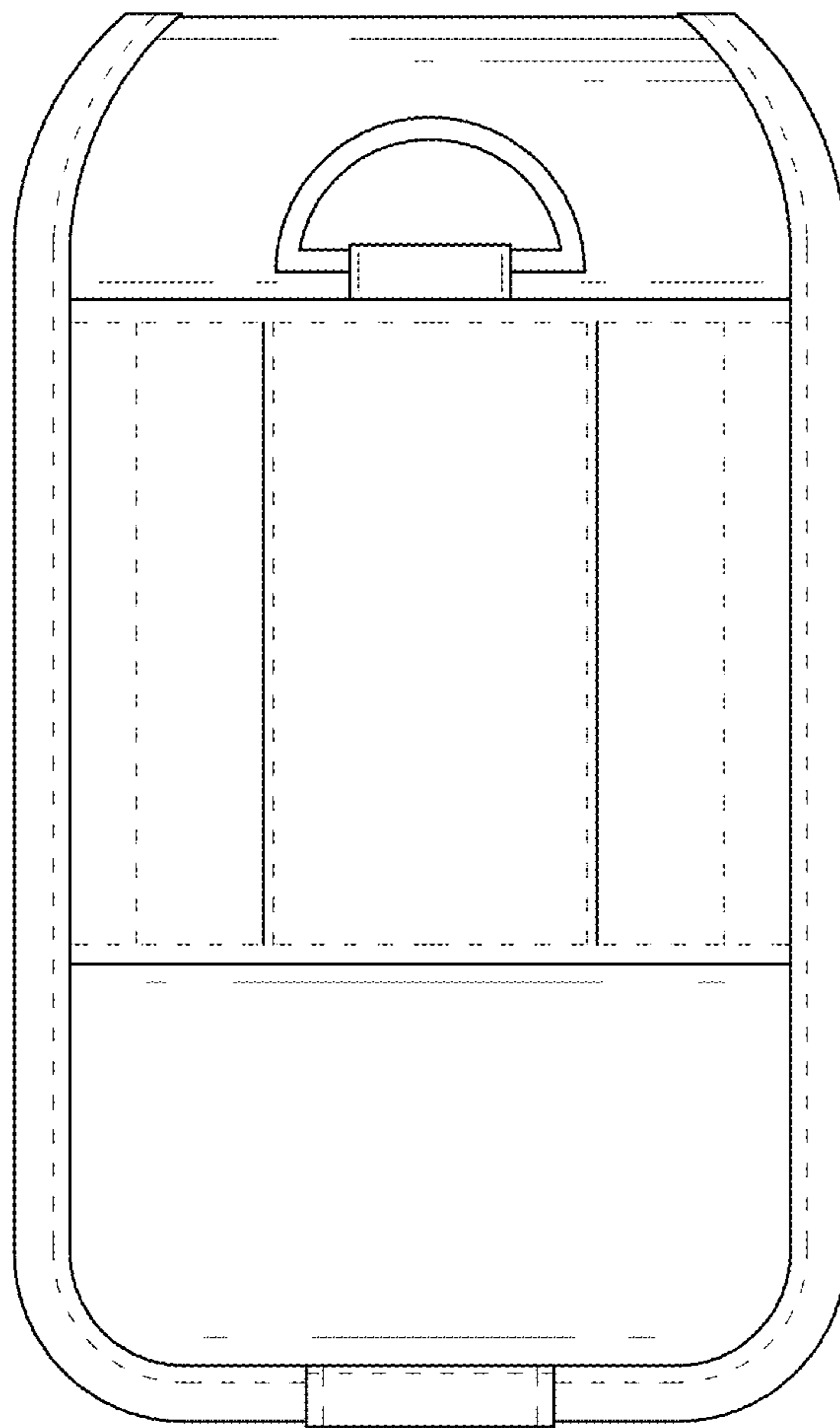


FIG. 4

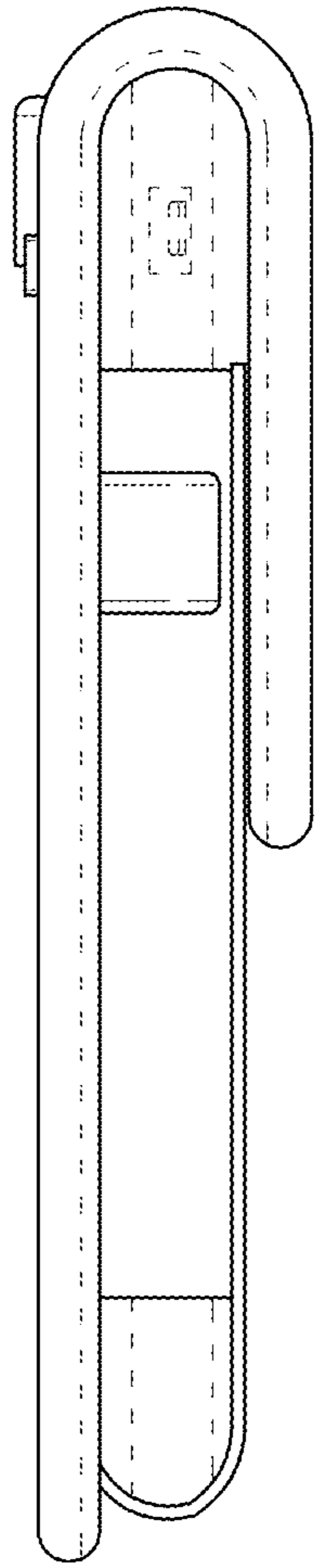


FIG. 5

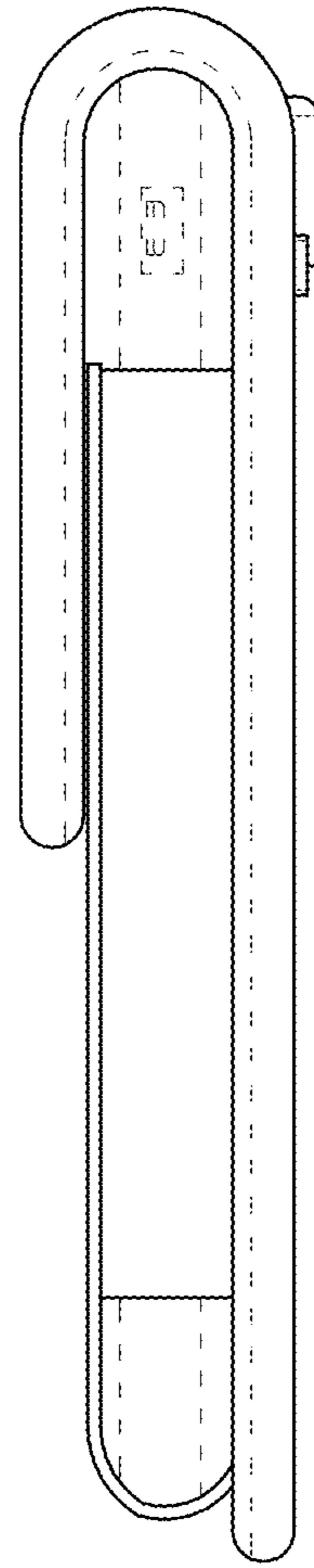


FIG. 6

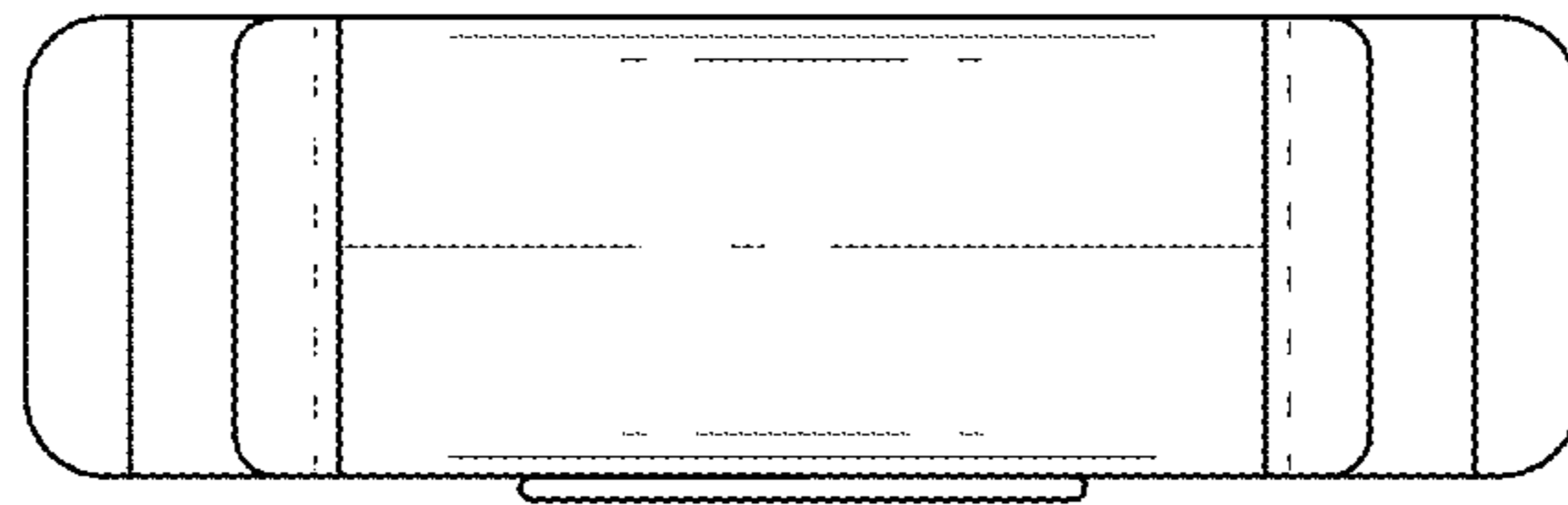


FIG. 7

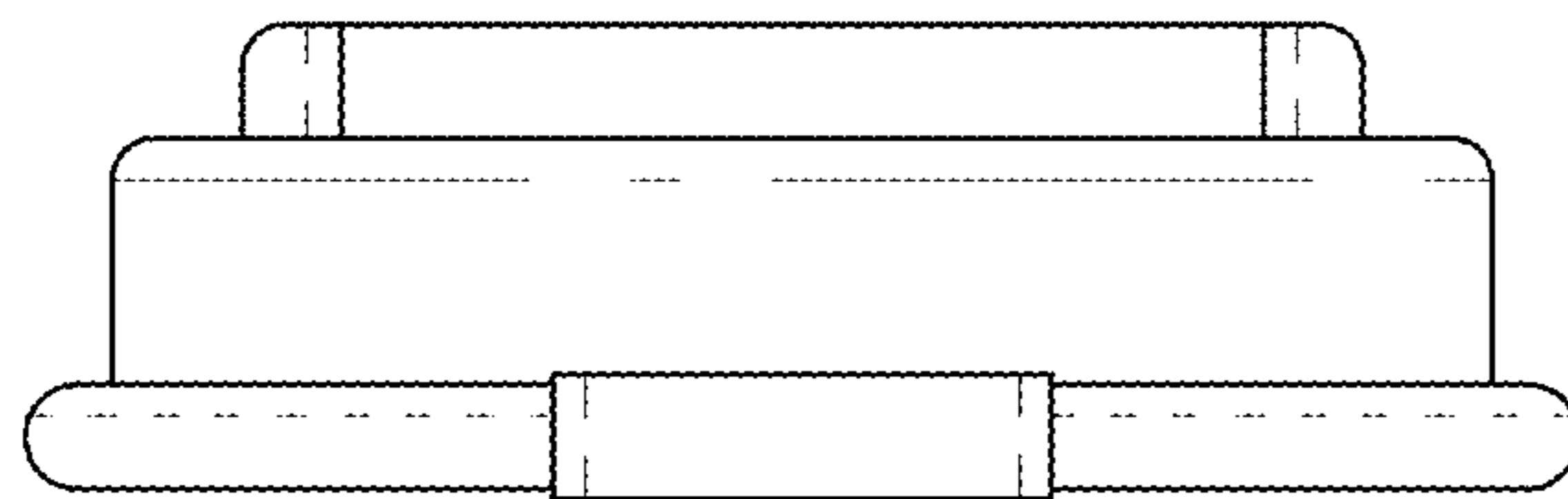


FIG. 8