



US00D911024S

(12) **United States Design Patent** (10) **Patent No.:** **US D911,024 S**
Rabe et al. (45) **Date of Patent:** **** Feb. 23, 2021**

(54) **BACKPACK**
(71) Applicant: **Dell Products L.P.**, Round Rock, TX (US)
(72) Inventors: **Chad Alan Rabe**, Round Rock, TX (US); **Bruce A. Benzon**, Round Rock, TX (US)
(73) Assignee: **Dell Products L.P.**, Round Rock, TX (US)
(**) Term: **15 Years**
(21) Appl. No.: **29/694,842**
(22) Filed: **Jun. 13, 2019**
(51) **LOC (13) Cl.** **03-01**
(52) **U.S. Cl.**
USPC **D3/217**
(58) **Field of Classification Search**
USPC D3/216–217, 273, 289, 290, 318, 321, D3/322, 323, 243, 244, 246, 232, 233, D3/242, 245; 383/72
CPC A45F 4/02; A45F 4/08; A45F 2200/05; A45F 2200/0525; A45F 3/04; A45F 3/042; A45F 3/047; A45F 3/08; A45F 3/10; A45F 3/14; A45C 13/08; A45C 13/083; A45C 13/1046; A45C 2003/007; A45C 3/10
See application file for complete search history.

D802,295 S * 11/2017 Wu D3/217
D829,436 S 10/2018 Benzon et al.
D854,817 S 7/2019 Rabe et al.
D859,818 S * 9/2019 Wu D3/217
D865,355 S * 11/2019 Benzon D3/217
D880,845 S * 4/2020 Sanz D3/217
D880,846 S * 4/2020 Aranbayev D3/217
2016/0007719 A1* 1/2016 Harstvedt A45F 3/04
224/645

(Continued)

FOREIGN PATENT DOCUMENTS

CN 303732718 * 7/2016

OTHER PUBLICATIONS

Choose Dell Pro Backpack 15, posted at amazon.com, available Apr. 4, 2019, retrieved May 6, 2020, online, URL: <https://www.amazon.com/Dell-Earth-Friendly-Solution-Dyeing-Traditional-Shock-Absorbing/dp/B07QGHDK96> (Year: 2019).*

Primary Examiner — Lilyana Bekic
Assistant Examiner — Mary Shannon Malley
(74) *Attorney, Agent, or Firm* — Zagorin Cave LLP;
Robert W. Holland

(57) **CLAIM**

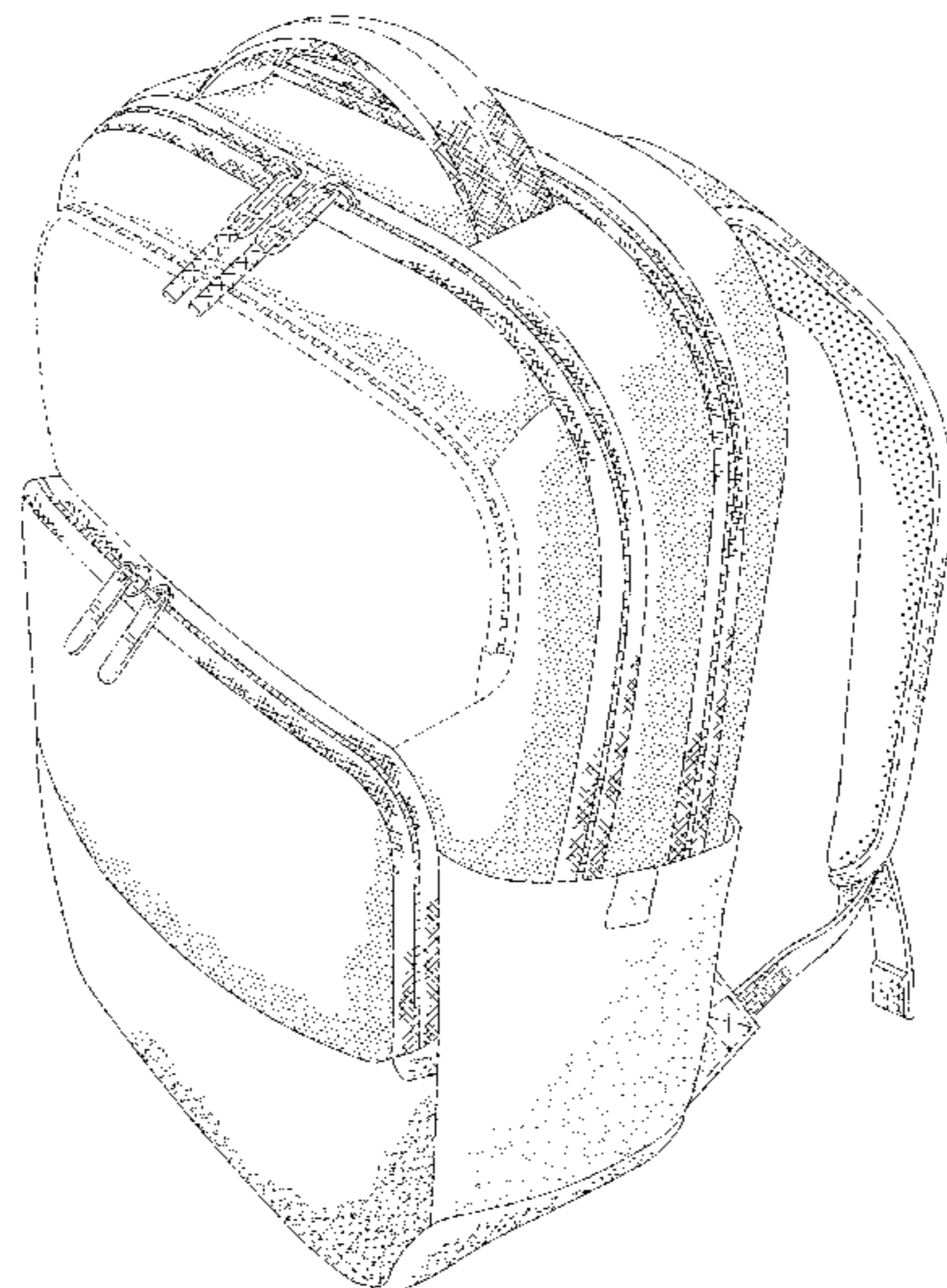
We claim the ornamental design for a backpack, as shown and described.

DESCRIPTION

FIG. 1 is a front perspective view of the backpack comprising the present invention;
FIG. 2 is a front elevation view thereof;
FIG. 3 is a rear elevation view thereof;
FIG. 4 is a right side view thereof;
FIG. 5 is a left side view thereof;
FIG. 6 is a top view thereof; and,
FIG. 7 is a bottom view thereof.
Broken lines depict portions of the backpack that form no part of the claimed design.

1 Claim, 7 Drawing Sheets

(56) **References Cited**
U.S. PATENT DOCUMENTS
D448,160 S * 9/2001 Sijmons D3/216
D448,161 S * 9/2001 Holodnicki D3/216
D457,307 S * 5/2002 Pukall D3/216
D699,942 S * 2/2014 Mather D3/216
D699,943 S * 2/2014 Mather D3/216
D702,434 S * 4/2014 Chalk D3/216
D706,533 S * 6/2014 Hock D3/216
D708,845 S * 7/2014 Taylor D3/216
D748,918 S * 2/2016 Majeau D3/216



(56)

References Cited

U.S. PATENT DOCUMENTS

2020/0000208 A1* 1/2020 Liu A45F 3/06

* cited by examiner

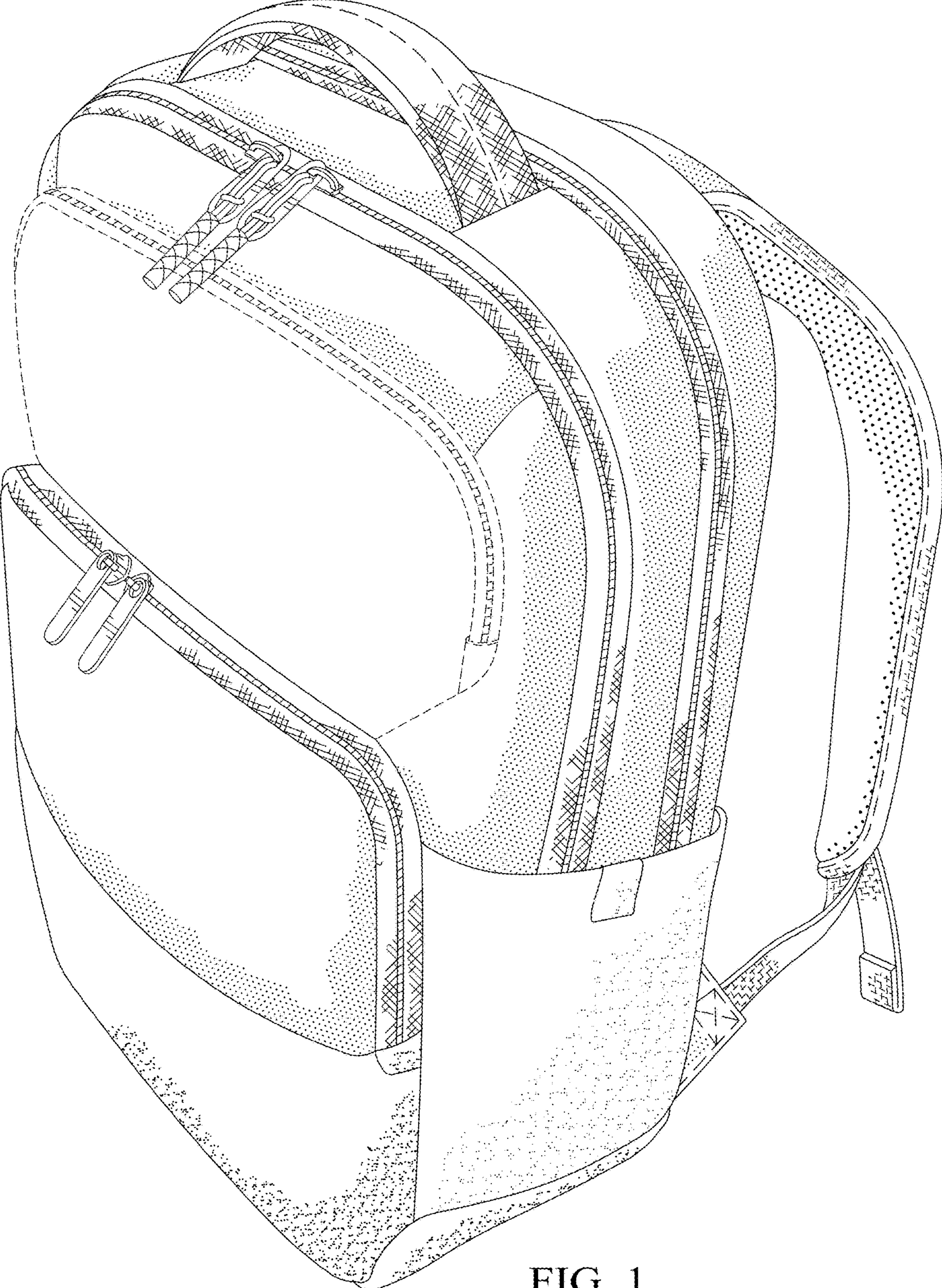


FIG. 1

FIG. 2

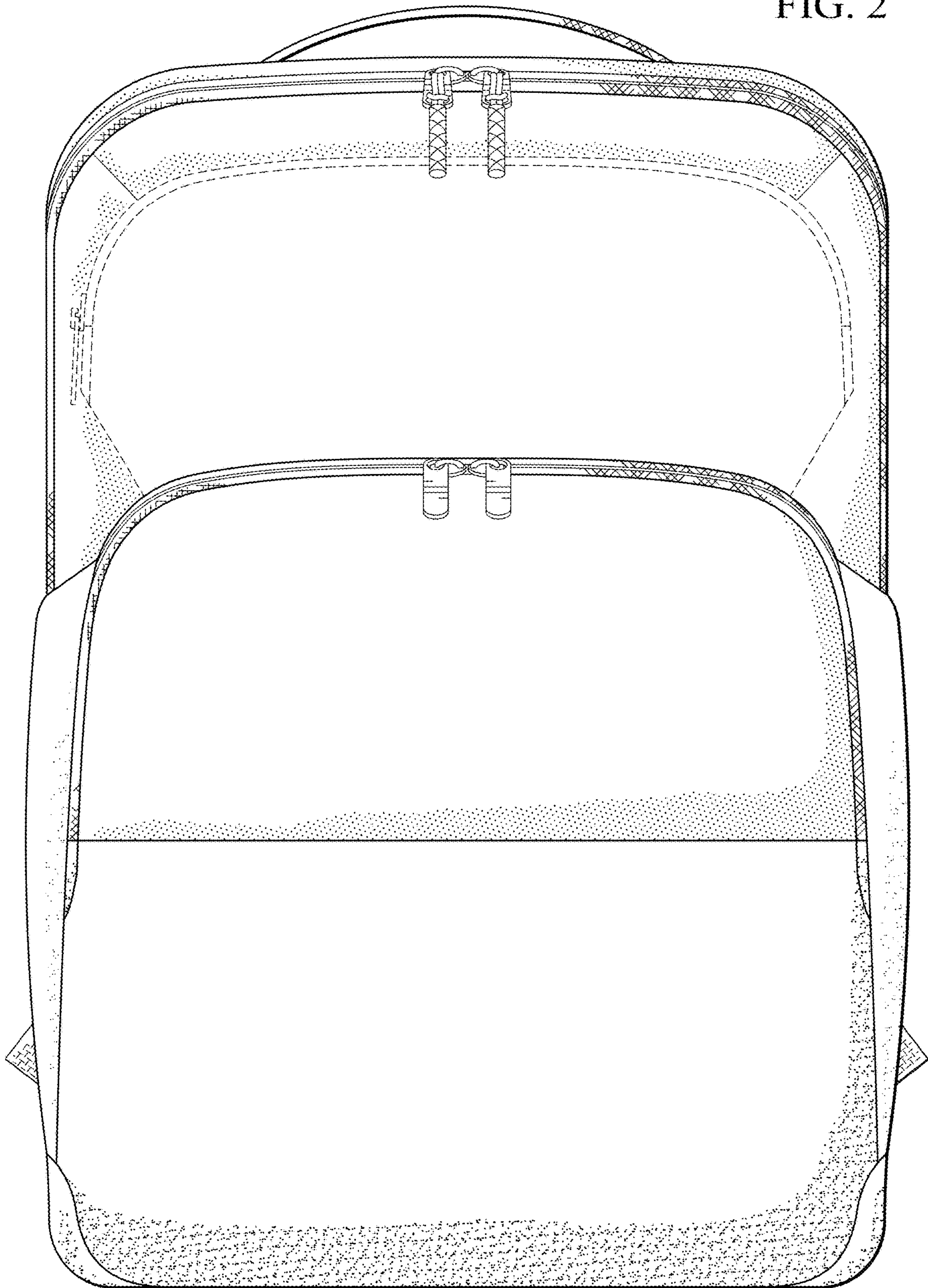
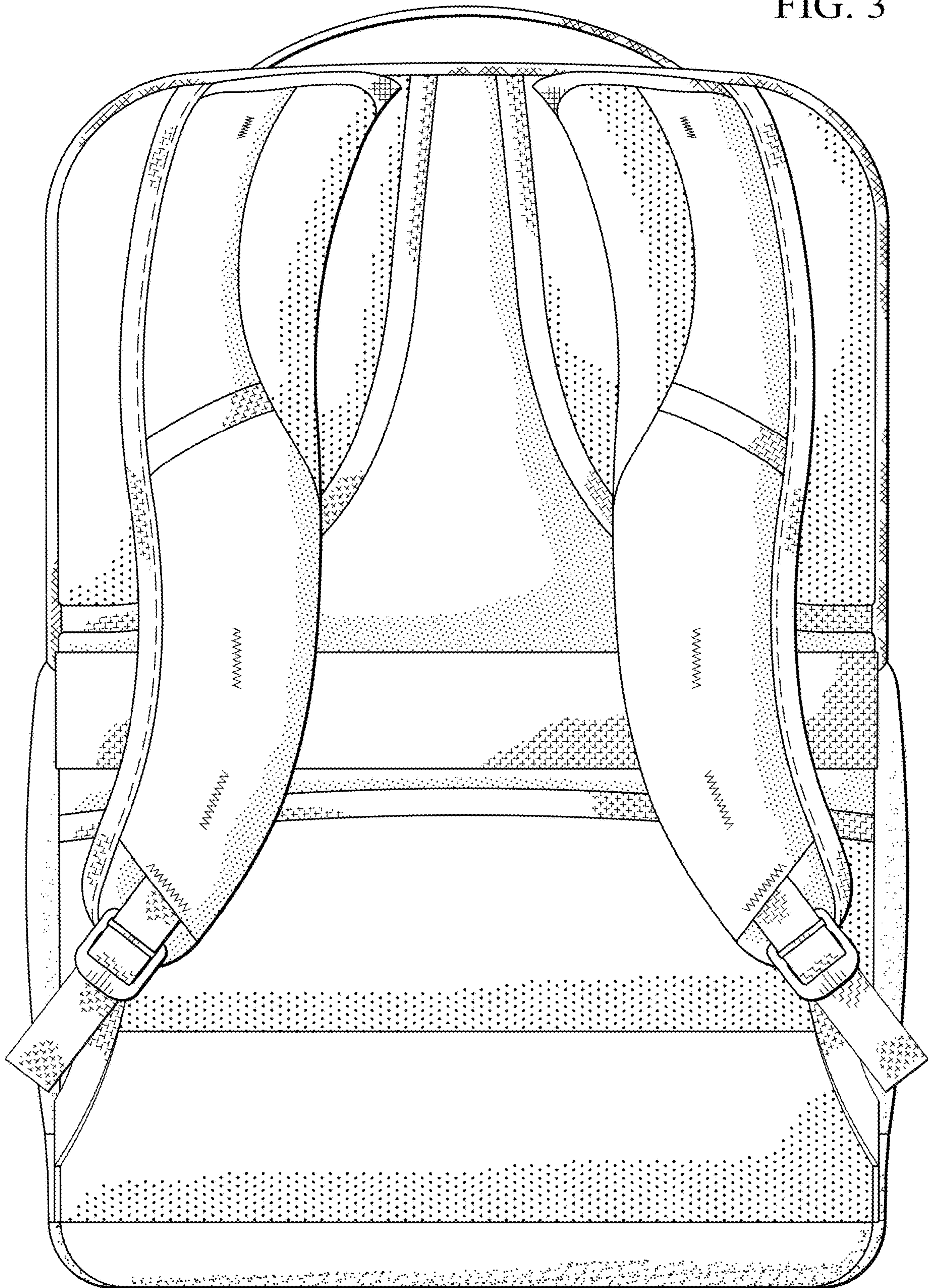


FIG. 3



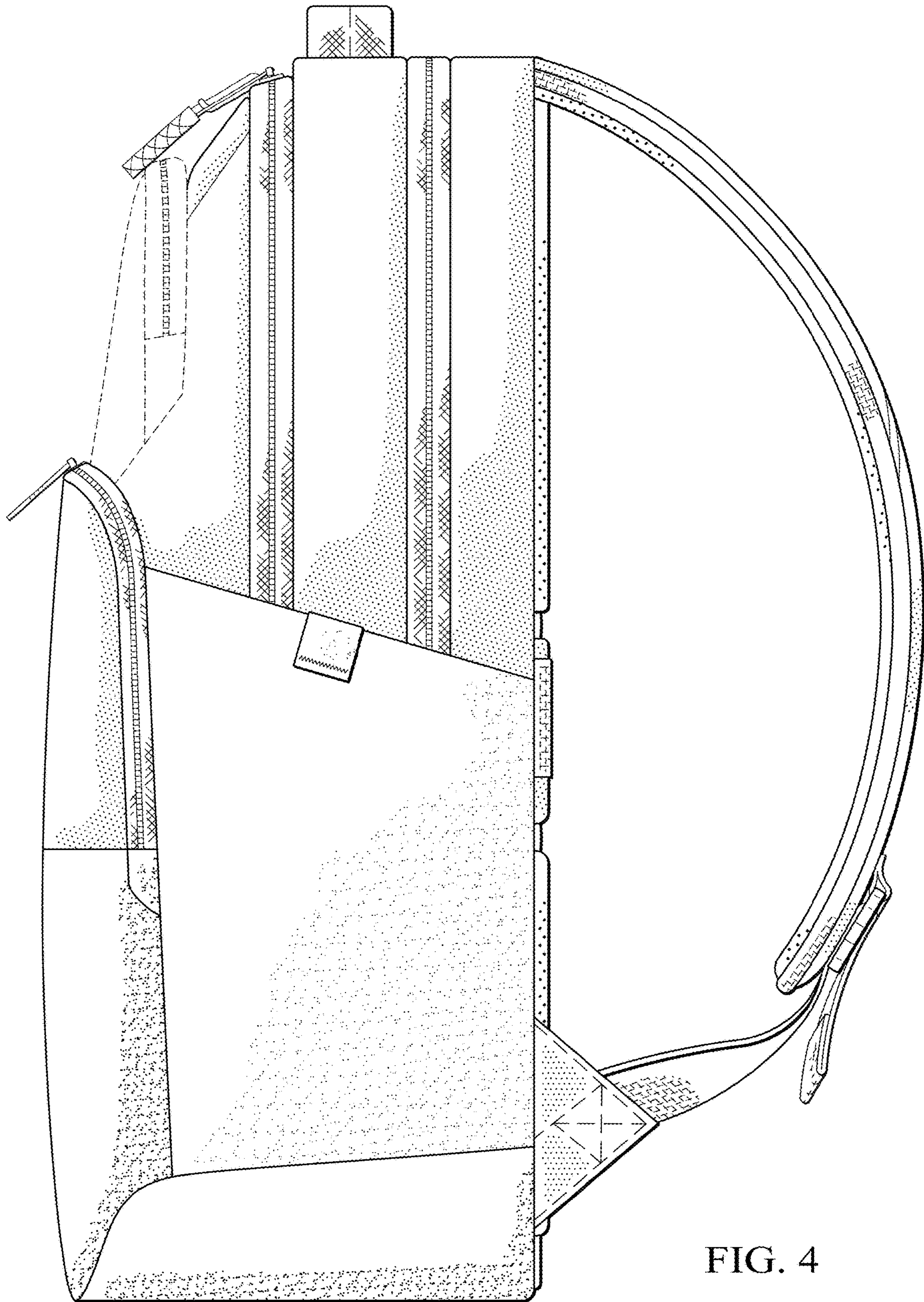


FIG. 4

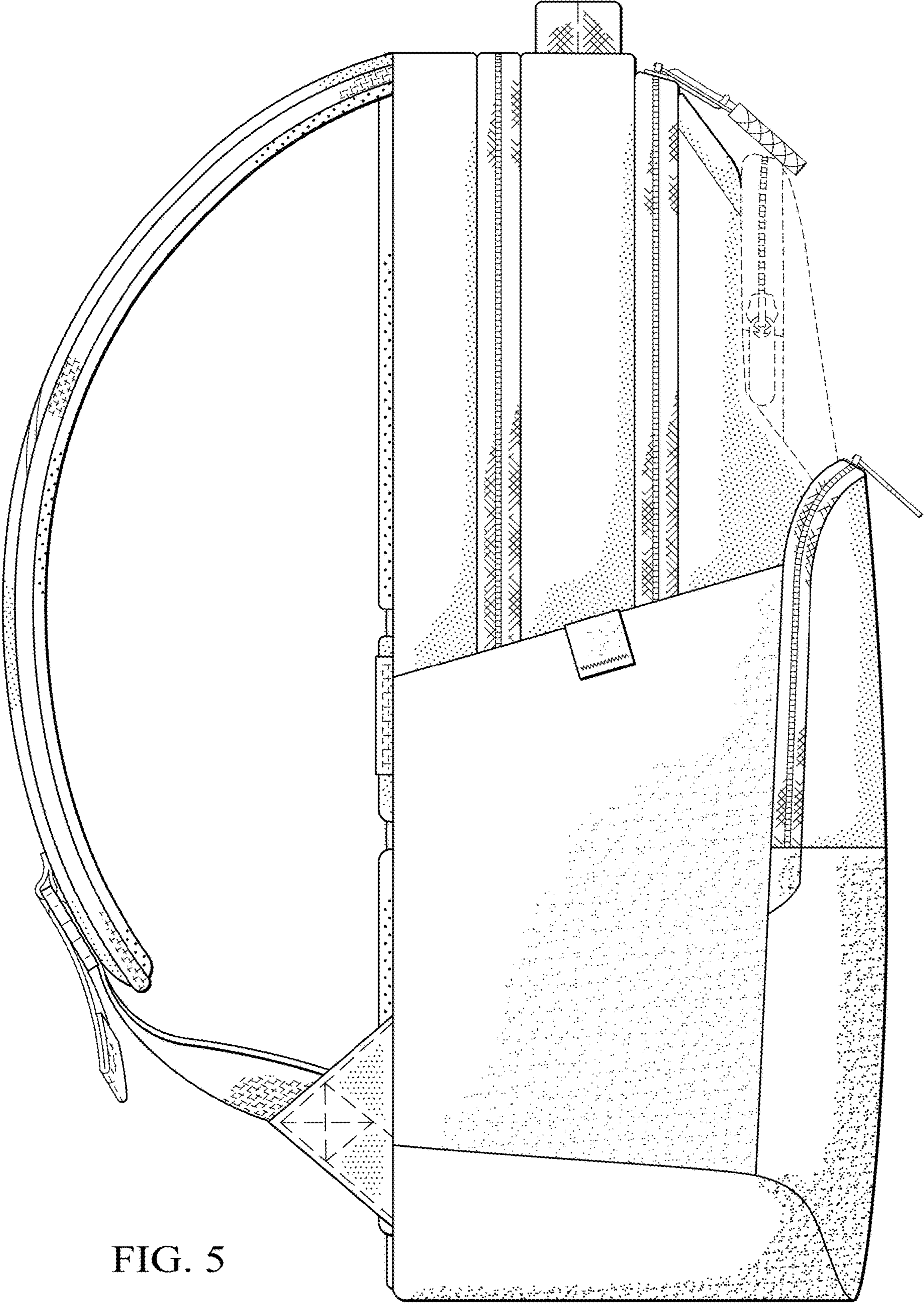


FIG. 5

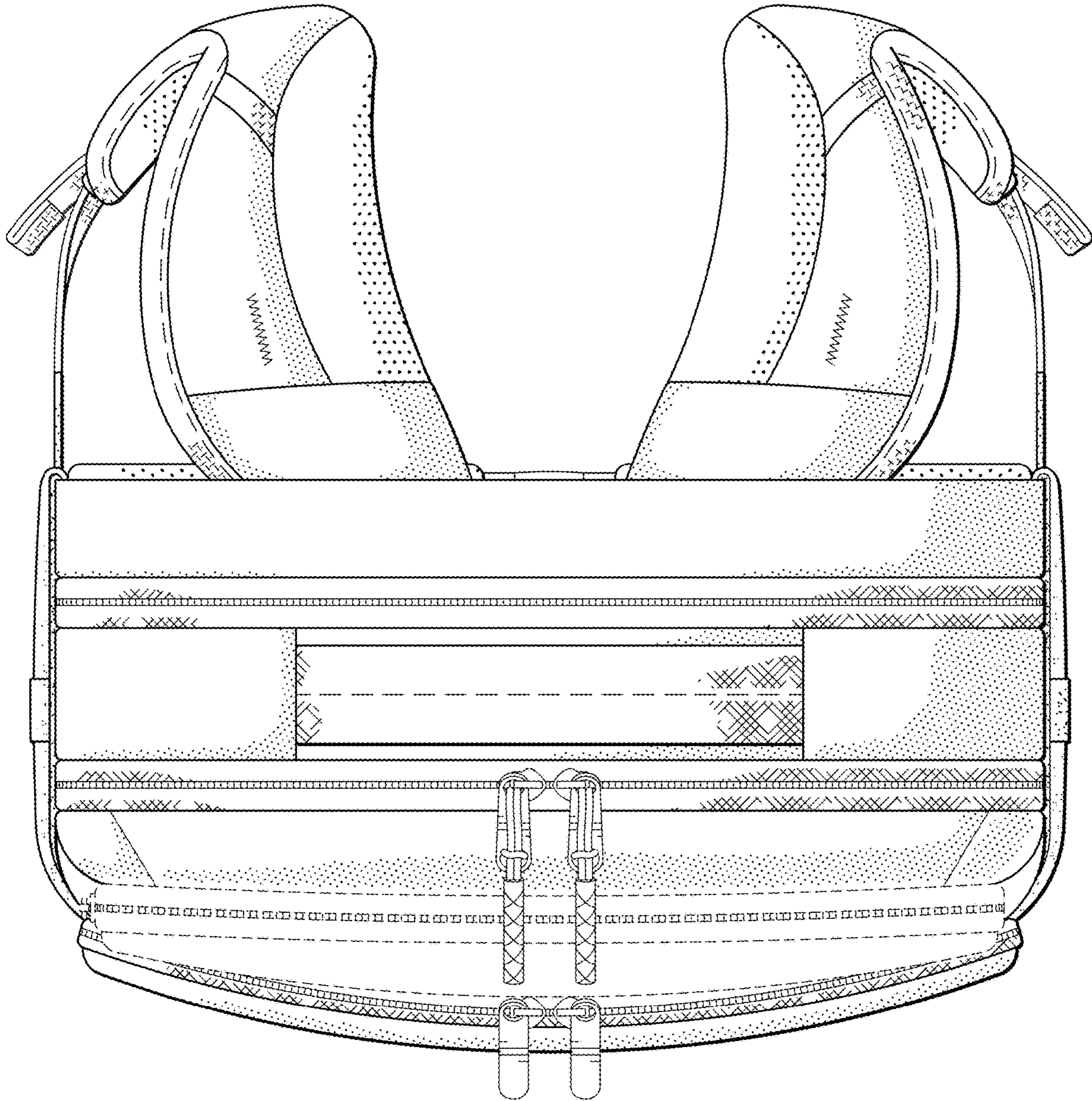


FIG. 6

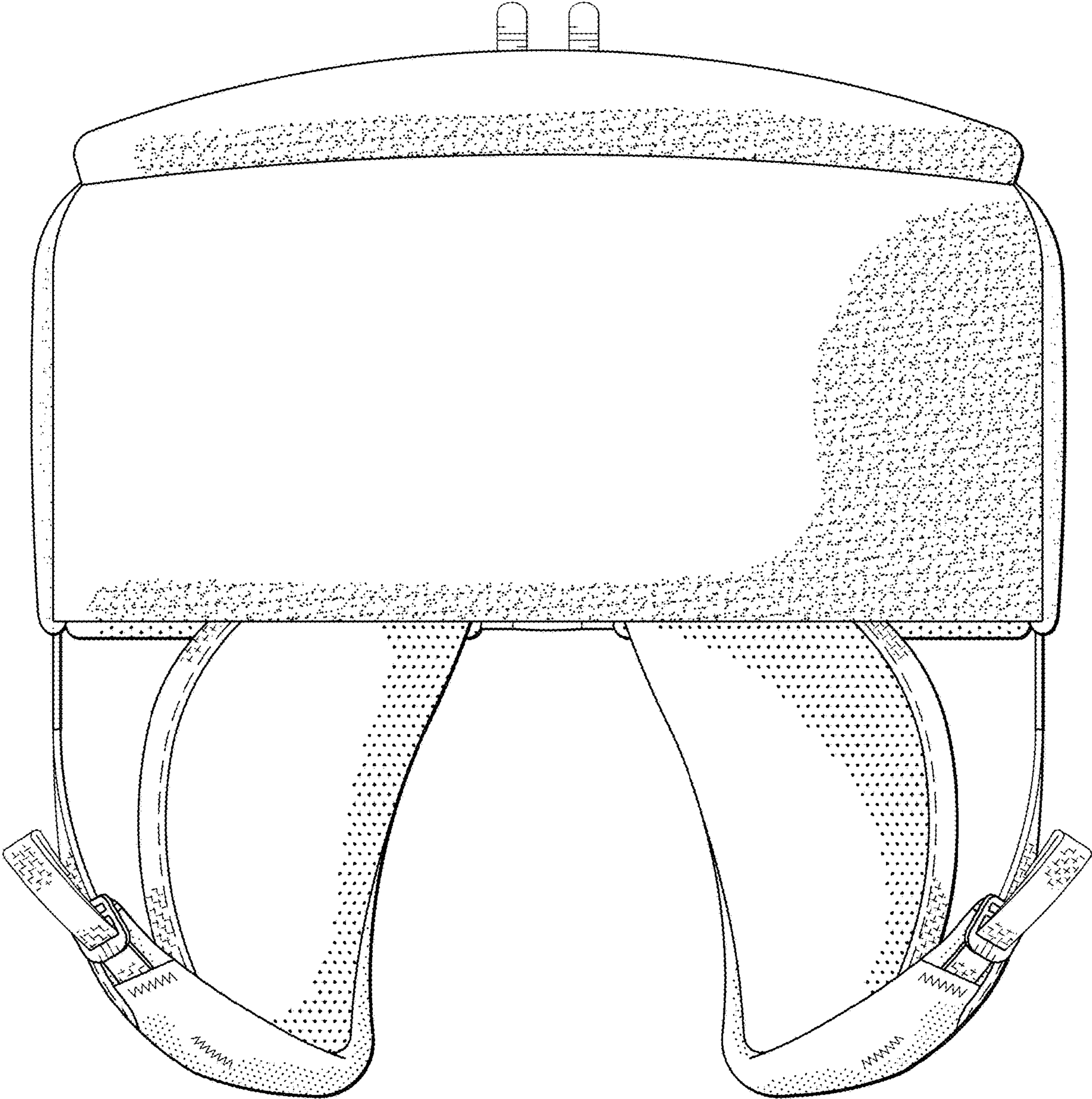


FIG. 7