



US00D911021S

(12) **United States Design Patent** (10) **Patent No.:** **US D911,021 S**
Al-Bayati et al. (45) **Date of Patent:** **** *Feb. 23, 2021**

(54) **DOSAGE CONTAINER**
(71) Applicant: **Reckitt Benckiser Finish B.V.**,
Hoofddorp (NL)
(72) Inventors: **Alias Younis Al-Bayati**, Heidelberg
(DE); **Claudia Schmaelzle**, Heidelberg
(DE); **Daniel Godfrey**, Cambridge
(GB); **Scott Virgo**, Cambridge (GB)
(73) Assignee: **RECKITT BENCKISER FINISH**
B.V., Hoofddorp (NL)
(*) Notice: This patent is subject to a terminal dis-
claimer.
(**) Term: **15 Years**

(21) Appl. No.: **29/707,304**
(22) Filed: **Sep. 27, 2019**

(30) **Foreign Application Priority Data**

Mar. 28, 2019 (EM) 006351656

(51) **LOC (13) Cl.** **03-01**

(52) **U.S. Cl.**
USPC **D3/203.2**

(58) **Field of Classification Search**

USPC D9/414, 420, 422, 428, 449; D3/203.1,
D3/203.2, 203.3; D14/203.1-203.8, 215,
D14/216, 496, 388, 358; D28/76, 85;
D27/186, 187, 189

CPC A24F 23/00; A24F 40/42; A24F 15/00;
A61J 7/0007; A61J 1/03; A61J 1/16;
B65D 85/60

See application file for complete search history.

(56) **References Cited**

U.S. PATENT DOCUMENTS

D355,359 S * 2/1995 Herzog D9/422
D397,865 S * 9/1998 Lin D3/218

D480,634 S * 10/2003 Caroen D9/414
D481,532 S * 11/2003 Sayers D3/203.1
D499,653 S * 12/2004 Karim D19/901
D522,506 S * 6/2006 Chen D14/480.1
D525,120 S * 7/2006 Maskell D9/428
D548,585 S * 8/2007 Okabe D9/420
D609,670 S * 2/2010 Finney D14/138 AC
D609,855 S * 2/2010 Patel D27/189
D617,043 S * 6/2010 Patel D27/189
D650,268 S * 12/2011 Gibson D9/428
D672,642 S * 12/2012 Supranowicz D9/420
D674,688 S * 1/2013 Loftin D9/428
D688,938 S * 9/2013 Bailey D9/428
D689,999 S * 9/2013 Viala D23/366
D756,681 S * 5/2016 MacVittie D6/515
D777,331 S * 1/2017 Jayalath D24/186
D808,791 S * 1/2018 Johnston D9/420
D868,136 S * 11/2019 Tadmor D16/237

(Continued)

Primary Examiner — Shannon W Morgan
Assistant Examiner — Keith Frank
(74) *Attorney, Agent, or Firm* — Troutman Pepper
Hamilton Sanders LLP; Ryan Schneider; Chris N. Davis

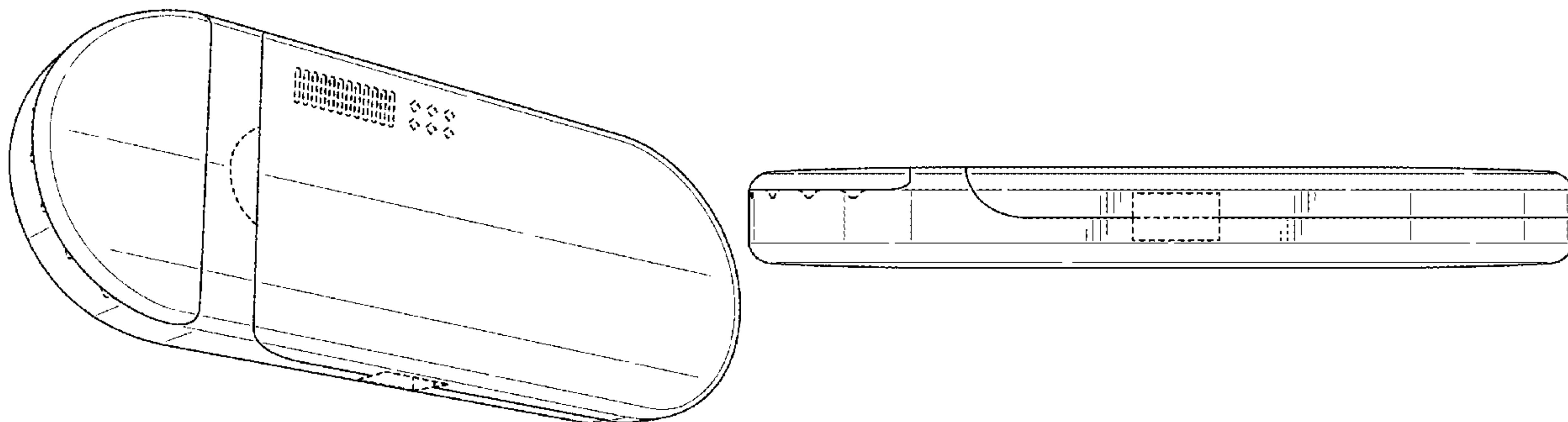
(57) **CLAIM**

The ornamental design for a dosage container, as shown and described.

DESCRIPTION

FIG. 1 is a perspective view of our new design for a dosage container;
FIG. 2 is a right elevation view thereof;
FIG. 3 is a left side elevation view thereof;
FIG. 4 is a front elevation view thereof;
FIG. 5 is a rear side elevation view thereof;
FIG. 6 is a top plan view thereof; and,
FIG. 7 is a bottom plan view thereof.
The broken lines in the drawings showing the dosage container illustrate the portions of the dosage container that form no part of the claimed design.

1 Claim, 3 Drawing Sheets



(56)

References Cited

U.S. PATENT DOCUMENTS

D871,055 S * 12/2019 Fornarelli D3/203.3
D886,181 S * 6/2020 Lu D16/237
D887,703 S * 6/2020 Charm D3/203.3

* cited by examiner

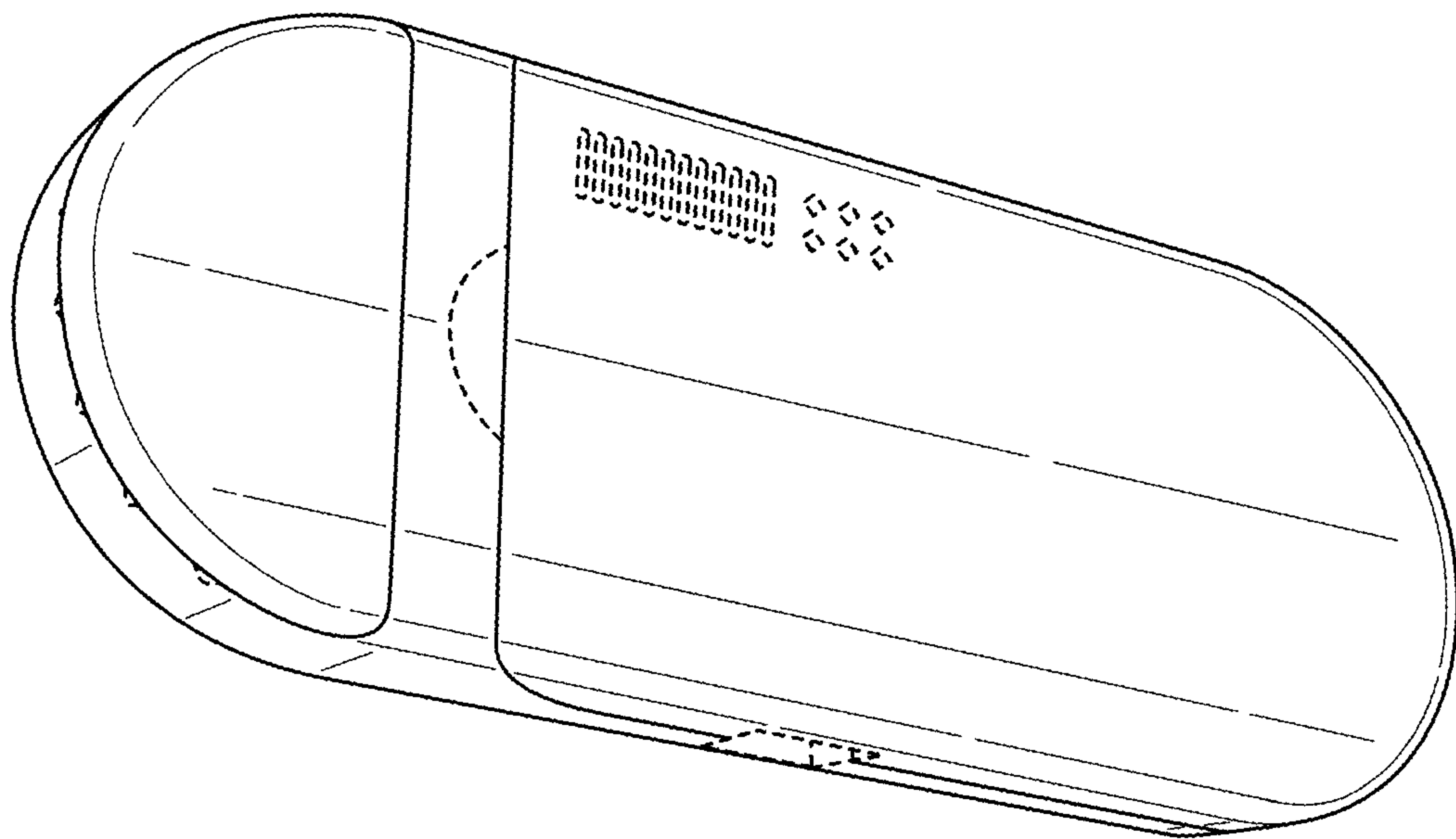


Fig. 1

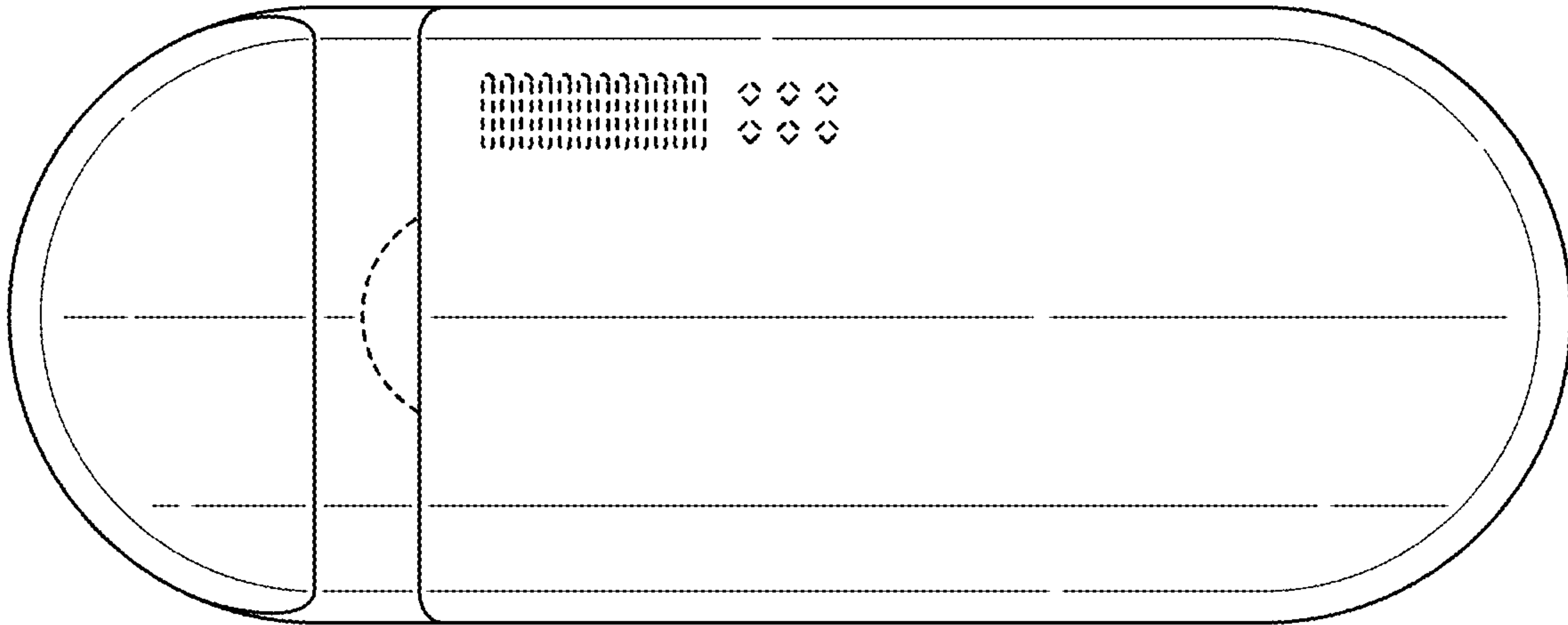


Fig. 2

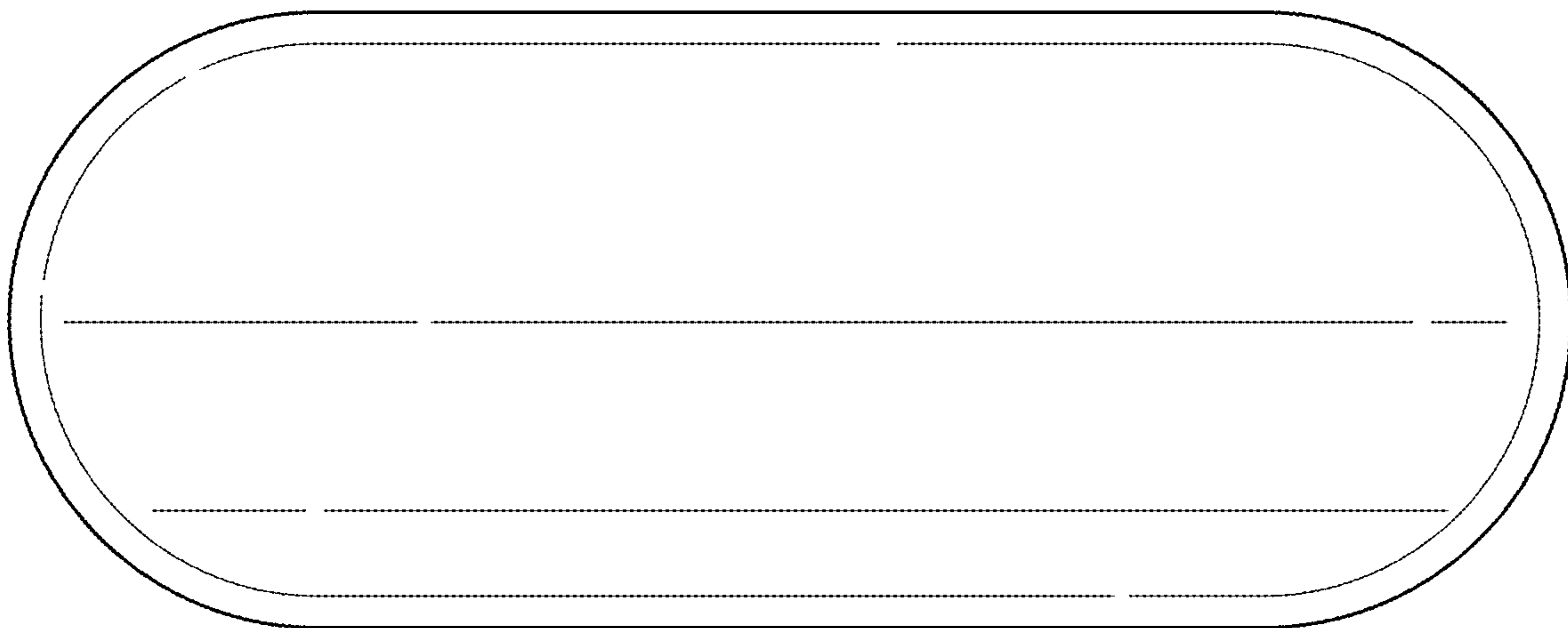


Fig. 3

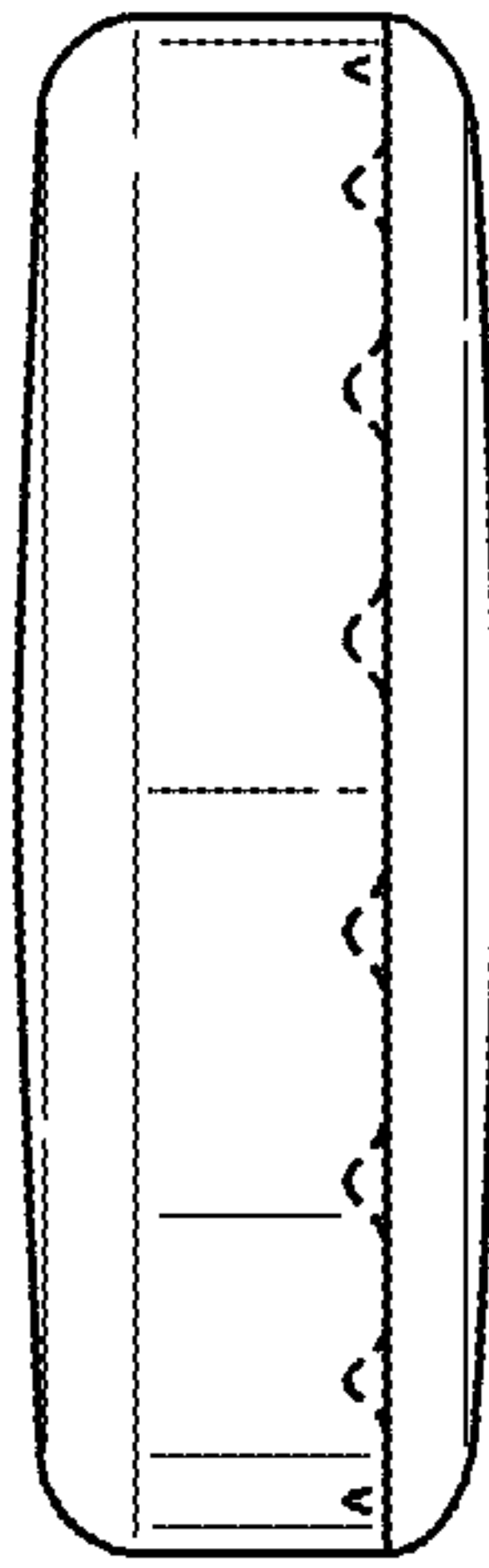


Fig. 4

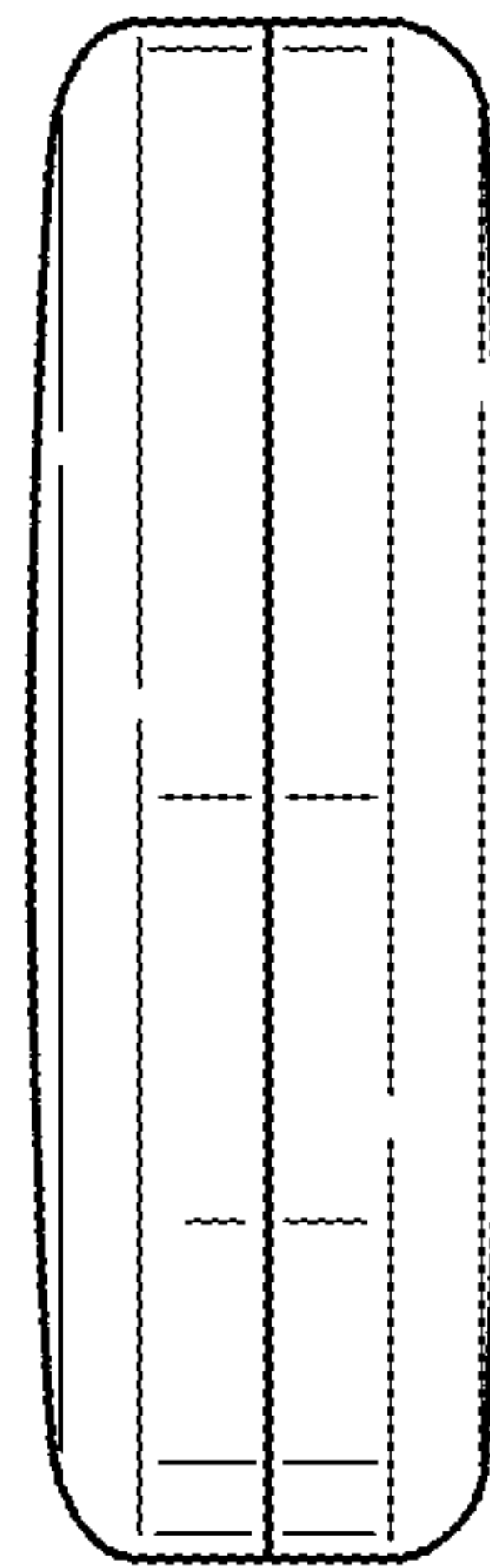


Fig. 5

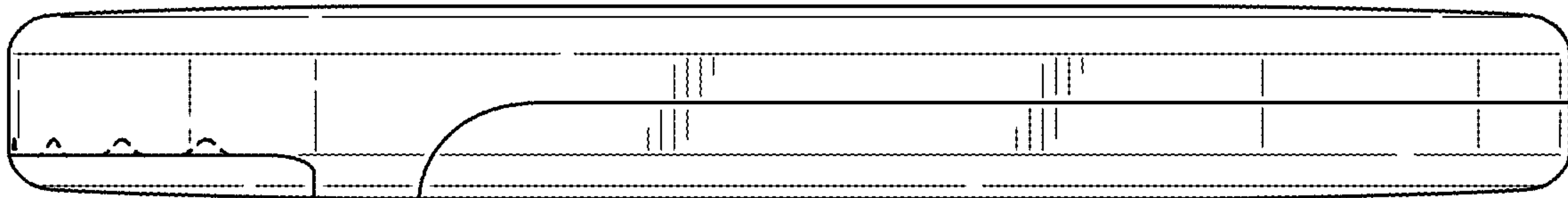


Fig. 6

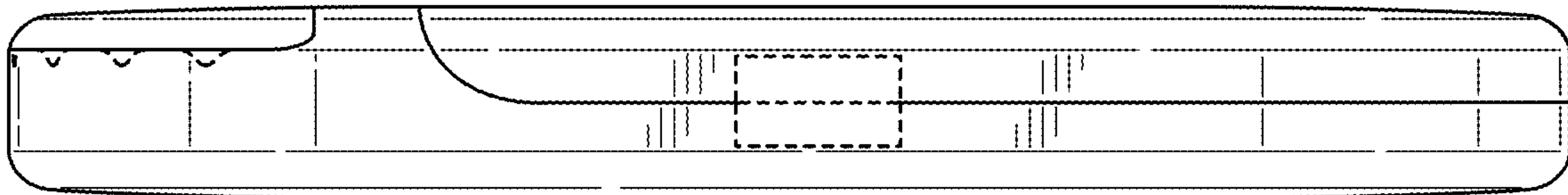


Fig. 7

UNITED STATES PATENT AND TRADEMARK OFFICE
CERTIFICATE OF CORRECTION

PATENT NO. : D911,021 S
APPLICATION NO. : 29/707304
DATED : February 23, 2021
INVENTOR(S) : Alias Younis Al-Bayati et al.

Page 1 of 1

It is certified that error appears in the above-identified patent and that said Letters Patent is hereby corrected as shown below:

On the Title Page

Item (30) Foreign Application Priority Data, replace:

“EM 006351656”

With:

“EM 006351656-0003”

Signed and Sealed this
Twenty-ninth Day of June, 2021



Drew Hirshfeld
*Performing the Functions and Duties of the
Under Secretary of Commerce for Intellectual Property and
Director of the United States Patent and Trademark Office*