



US00D911020S

(12) **United States Design Patent** (10) **Patent No.:** **US D911,020 S**  
**Lee** (45) **Date of Patent:** **\*\* Feb. 23, 2021**

(54) **PILL ORGANIZER**  
(71) Applicant: **E-LINK PLASTIC & METAL INDUSTRIAL CO., LTD.**, New Taipei (TW)  
(72) Inventor: **Cheng-Hua Lee**, New Taipei (TW)  
(73) Assignee: **E-LINK PLASTIC & METAL INDUSTRIAL CO., LTD.**, New Taipei (TW)  
(\*\*) Term: **15 Years**  
(21) Appl. No.: **29/674,764**  
(22) Filed: **Dec. 26, 2018**  
(51) **LOC (13) Cl.** ..... **03-01**  
(52) **U.S. Cl.**  
USPC ..... **D3/203.2; D3/294**  
(58) **Field of Classification Search**  
USPC ..... D3/201, 203.1, 203.3, 203.6, 205, 206, D3/263-265, 273, 294, 315, 901, 905; D9/414, 420, 423-426, 432  
CPC ..... A01K 97/06; B65D 2251/1058; B65D 43/168  
See application file for complete search history.

(56) **References Cited**  
U.S. PATENT DOCUMENTS  
D257,584 S \* 12/1980 Finkel ..... 206/528  
D262,150 S \* 12/1981 Sussman ..... D28/83  
D264,396 S \* 5/1982 Harvey ..... D3/294  
D324,819 S \* 3/1992 Eisenberg ..... D24/229  
D324,952 S \* 3/1992 Berland ..... D3/203.1  
D340,353 S \* 10/1993 Benarrouch ..... D28/83  
5,782,371 A \* 7/1998 Baerenwald ..... B65D 43/168  
220/4.22  
D412,786 S \* 8/1999 Killinger ..... D3/273  
D423,772 S \* 5/2000 Cooper ..... D3/201

D527,182 S \* 8/2006 Ham ..... D3/274  
D579,201 S \* 10/2008 Galli ..... D3/273  
D637,813 S \* 5/2011 Liang ..... D3/294  
D656,092 S \* 3/2012 Nomi ..... D13/107  
D656,093 S \* 3/2012 Nomi ..... D13/107  
D662,320 S \* 6/2012 De Leo ..... D3/274  
D668,874 S \* 10/2012 Robinson ..... D3/293  
D693,054 S \* 11/2013 Verleur ..... D27/189  
D693,999 S \* 11/2013 Alexander ..... D3/203.2  
D715,051 S \* 10/2014 Tung ..... D3/294  
D728,218 S \* 5/2015 Goldstein ..... D3/203.6  
D734,535 S \* 7/2015 Dyer ..... D27/189  
D747,878 S \* 1/2016 Mach ..... D3/318  
D788,926 S \* 6/2017 Parlante ..... D24/176  
D803,546 S \* 11/2017 Ackeret ..... D3/201  
D815,436 S \* 4/2018 Stanley ..... D3/294  
D831,445 S \* 10/2018 Karger ..... D7/709  
D853,023 S \* 7/2019 Bailey ..... D27/189  
D870,451 S \* 12/2019 Birger ..... D3/201  
D876,821 S \* 3/2020 Lee ..... D3/203.3  
D889,118 S \* 7/2020 Lee ..... D3/203.2  
D890,522 S \* 7/2020 Stanley ..... D3/260  
D895,958 S \* 9/2020 Guo ..... D3/203.3  
D896,179 S \* 9/2020 Yang ..... D13/119

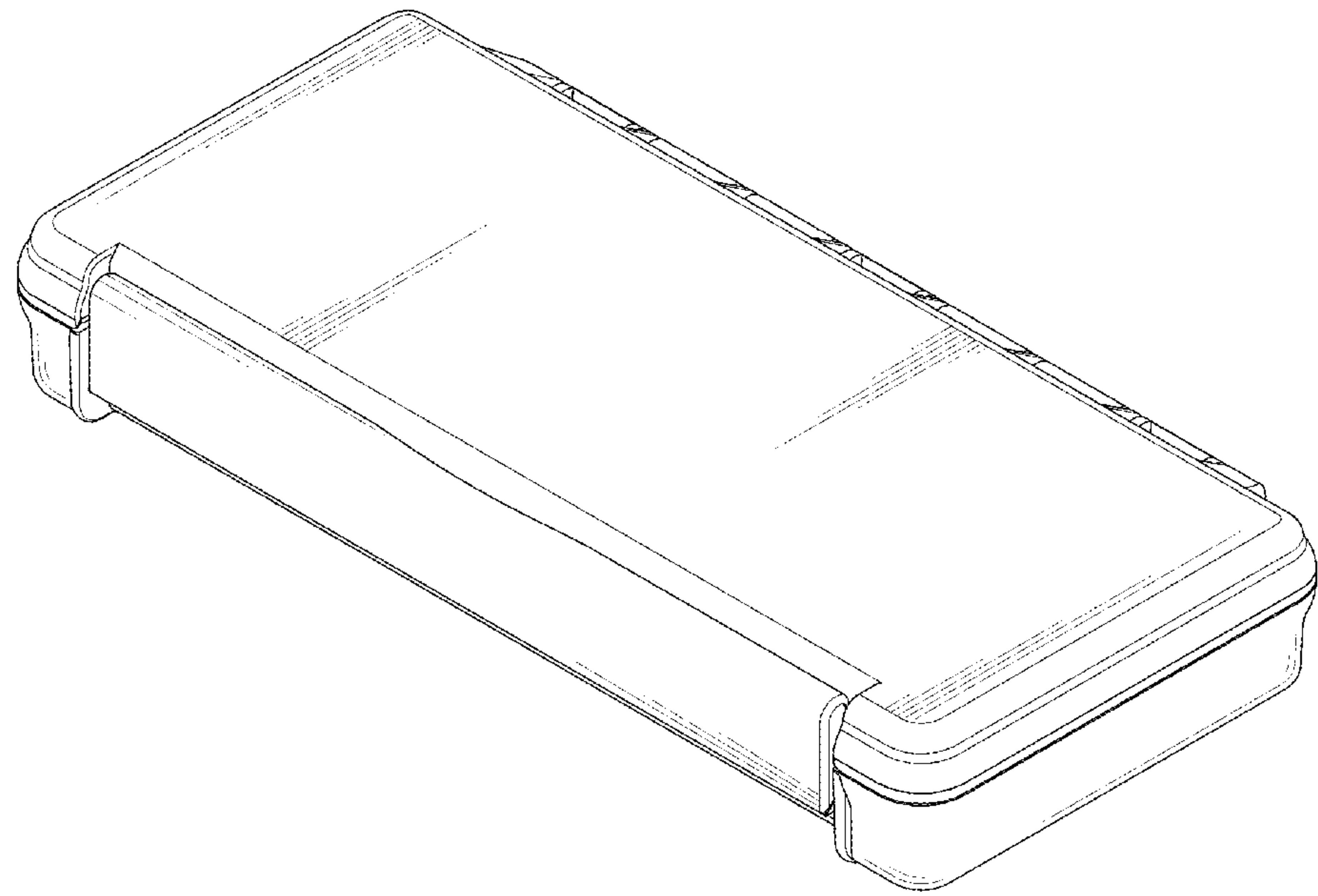
(Continued)

*Primary Examiner* — W. A. Teddy Falloway  
(74) *Attorney, Agent, or Firm* — WPAT, PC

(57) **CLAIM**  
The ornamental design for a pill organizer, as shown.

**DESCRIPTION**  
FIG. 1 is a perspective view of a pill organizer showing my new design;  
FIG. 2 is a front view thereof;  
FIG. 3 is a rear view thereof;  
FIG. 4 is a left side view thereof;  
FIG. 5 is a right side view thereof;  
FIG. 6 is a top view thereof; and,  
FIG. 7 is a bottom view thereof.

**1 Claim, 7 Drawing Sheets**



(56)

**References Cited**

U.S. PATENT DOCUMENTS

D899,200 S \* 10/2020 Xu ..... D7/629  
2016/0015017 A1\* 1/2016 Heaton ..... A01K 85/01  
43/54.1  
2016/0205913 A1\* 7/2016 Aston ..... A01K 97/00  
2017/0265448 A1\* 9/2017 Duffy ..... A01K 97/06  
2018/0042209 A1\* 2/2018 Aston ..... A01K 83/00

\* cited by examiner

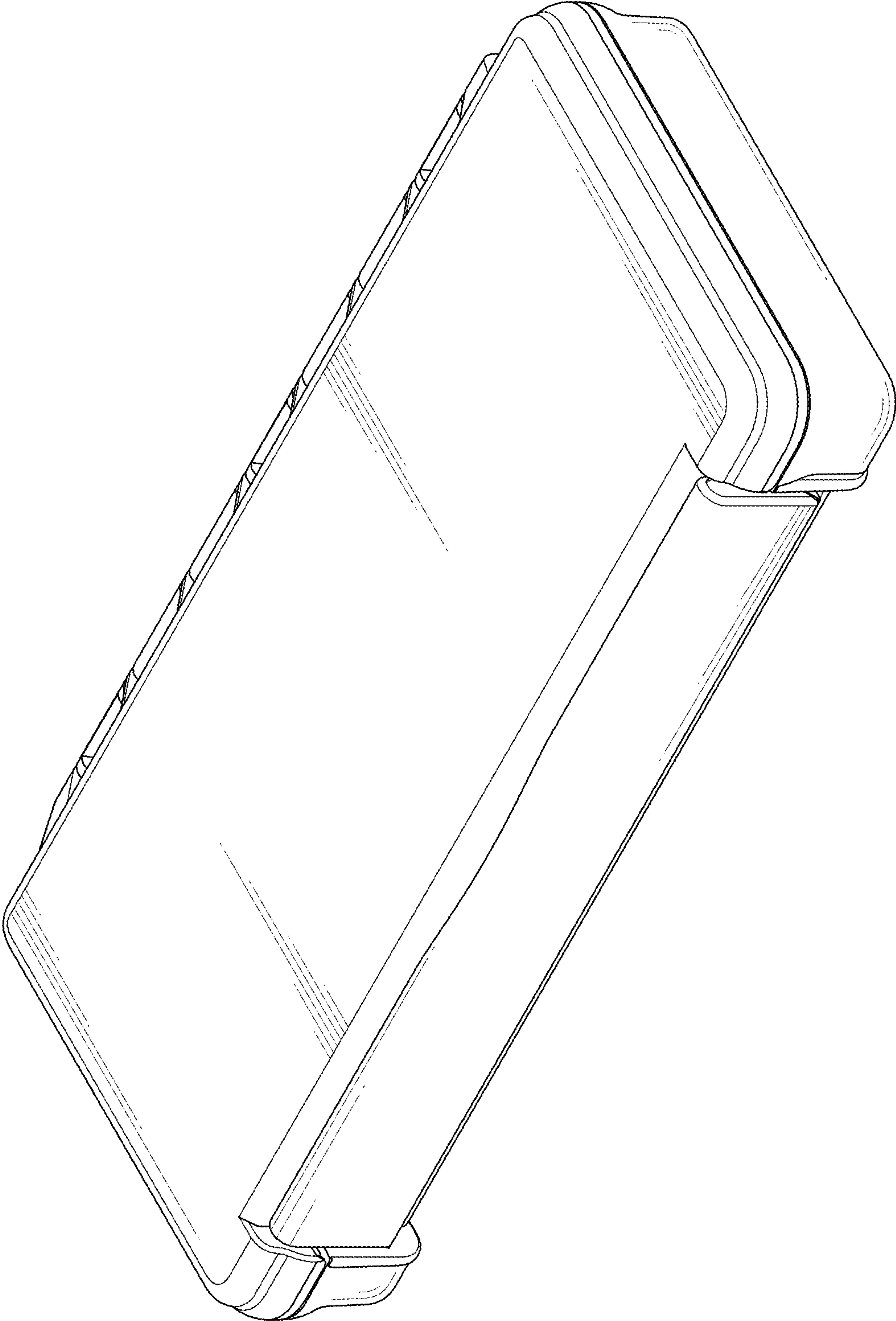


FIG. 1

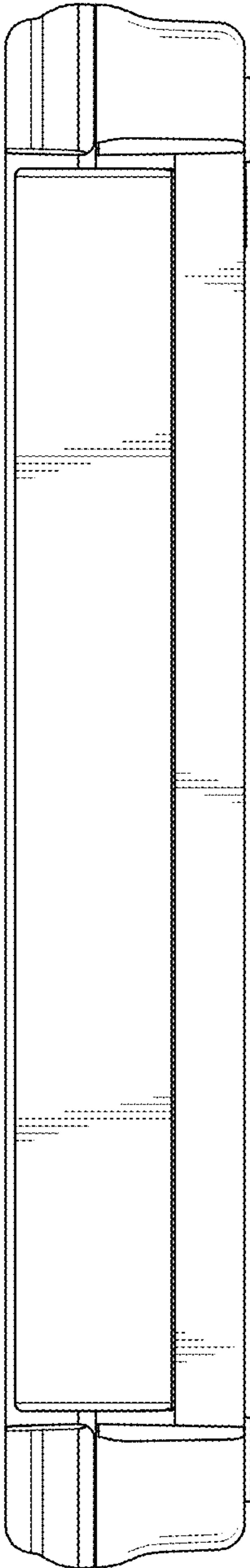


FIG. 2

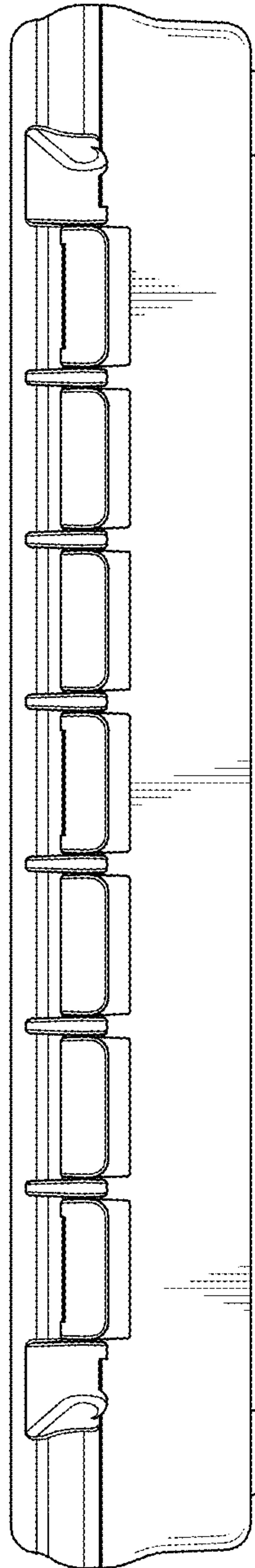


FIG. 3

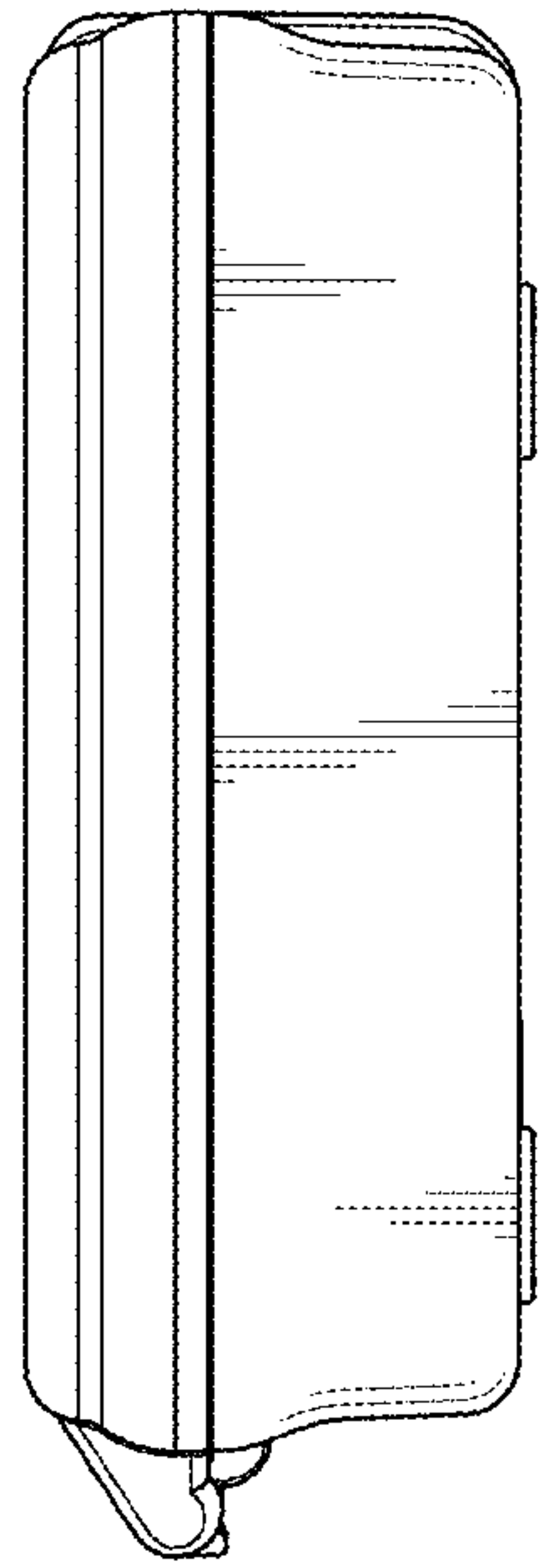


FIG. 4

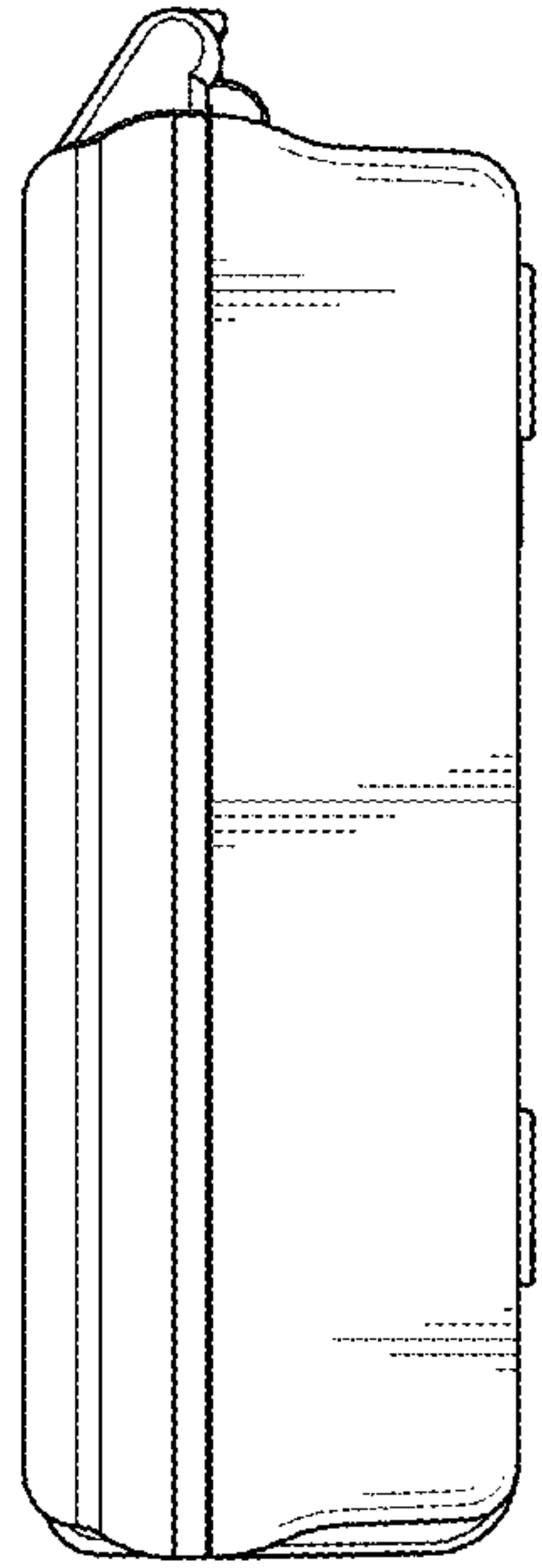


FIG. 5



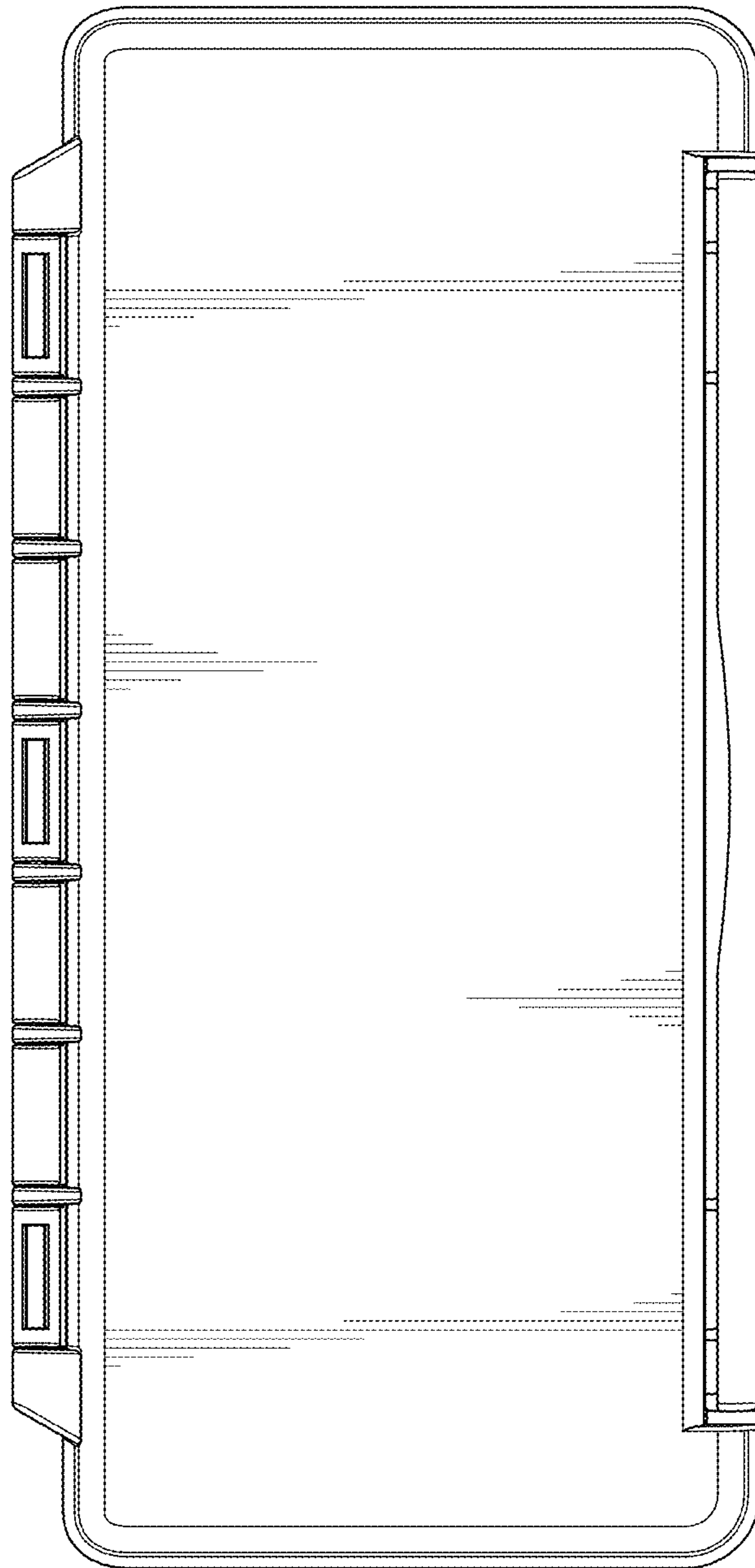


FIG. 6



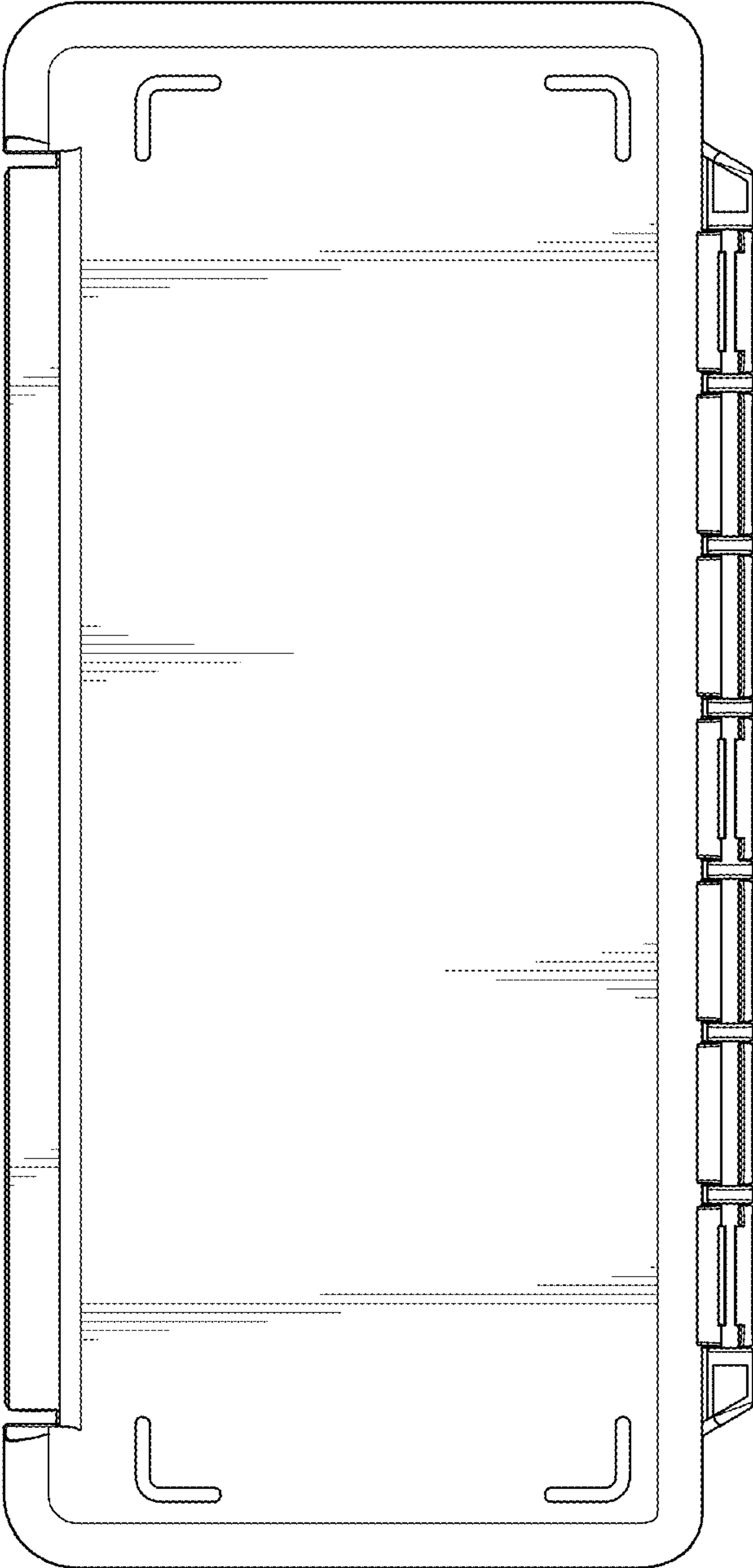


FIG. 7