



US00D911019S

(12) **United States Design Patent**
Chen

(10) **Patent No.:** **US D911,019 S**

(45) **Date of Patent:** **** Feb. 23, 2021**

(54) **UMBRELLA BRACKET**

(71) Applicant: **Hong Chen**, Shangyu (CN)

(72) Inventor: **Hong Chen**, Shangyu (CN)

(**) Term: **15 Years**

(21) Appl. No.: **29/734,950**

(22) Filed: **May 16, 2020**

(51) **LOC (13) Cl.** **03-03**

(52) **U.S. Cl.**
USPC **D3/10**

(58) **Field of Classification Search**
USPC D3/10; D8/373, 394, 396
CPC .. A45B 9/00; A45B 9/02; A45B 11/00; E04H
12/22
See application file for complete search history.

(56) **References Cited**

U.S. PATENT DOCUMENTS

D253,165 S	10/1979	Scott	
4,711,422 A *	12/1987	Ibanez	A45B 11/00 248/230.5
4,720,074 A *	1/1988	Gard	A45B 11/00 248/314
D311,129 S *	10/1990	Barnhill, III	248/514
D330,630 S *	11/1992	Loden	D3/10
D347,948 S *	6/1994	McKnight	D3/10
D352,390 S *	11/1994	Shrum	D3/10
5,431,364 A *	7/1995	Etter	A45B 11/00 135/16
D383,967 S *	9/1997	DeMars	D8/354
D386,323 S *	11/1997	Davis	D3/10
D389,334 S *	1/1998	Attridge	D3/10
D396,185 S *	7/1998	Fraser	D3/10
5,836,327 A *	11/1998	Davis	A45B 11/00 135/16
5,857,658 A *	1/1999	Niemiec	A01K 97/10 248/231.71

D413,429 S *	9/1999	Carson	D3/10
D454,682 S *	3/2002	D'Andrea	D3/10
6,375,146 B1 *	4/2002	Painchaud	A01K 97/10 248/534
6,435,469 B1 *	8/2002	Ratcliff	A45F 5/00 248/213.2
D464,190 S *	10/2002	Salahub	D3/10
D470,400 S *	2/2003	Fraser	D8/396
D474,012 S *	5/2003	Beltran	D3/10
D574,144 S *	8/2008	Ortiz-Gavin	D3/10
D609,494 S *	2/2010	Jenkins, Sr.	D3/10
D621,148 S *	8/2010	Brady	D3/10
D621,149 S *	8/2010	Brady	D3/10
D629,285 S *	12/2010	Gharst	D8/355
8,146,879 B2 *	4/2012	Liao	B62B 3/00 248/514

(Continued)

Primary Examiner — Steven J Czyz

(74) *Attorney, Agent, or Firm* — Law Offices of Steven W. Weinrieb

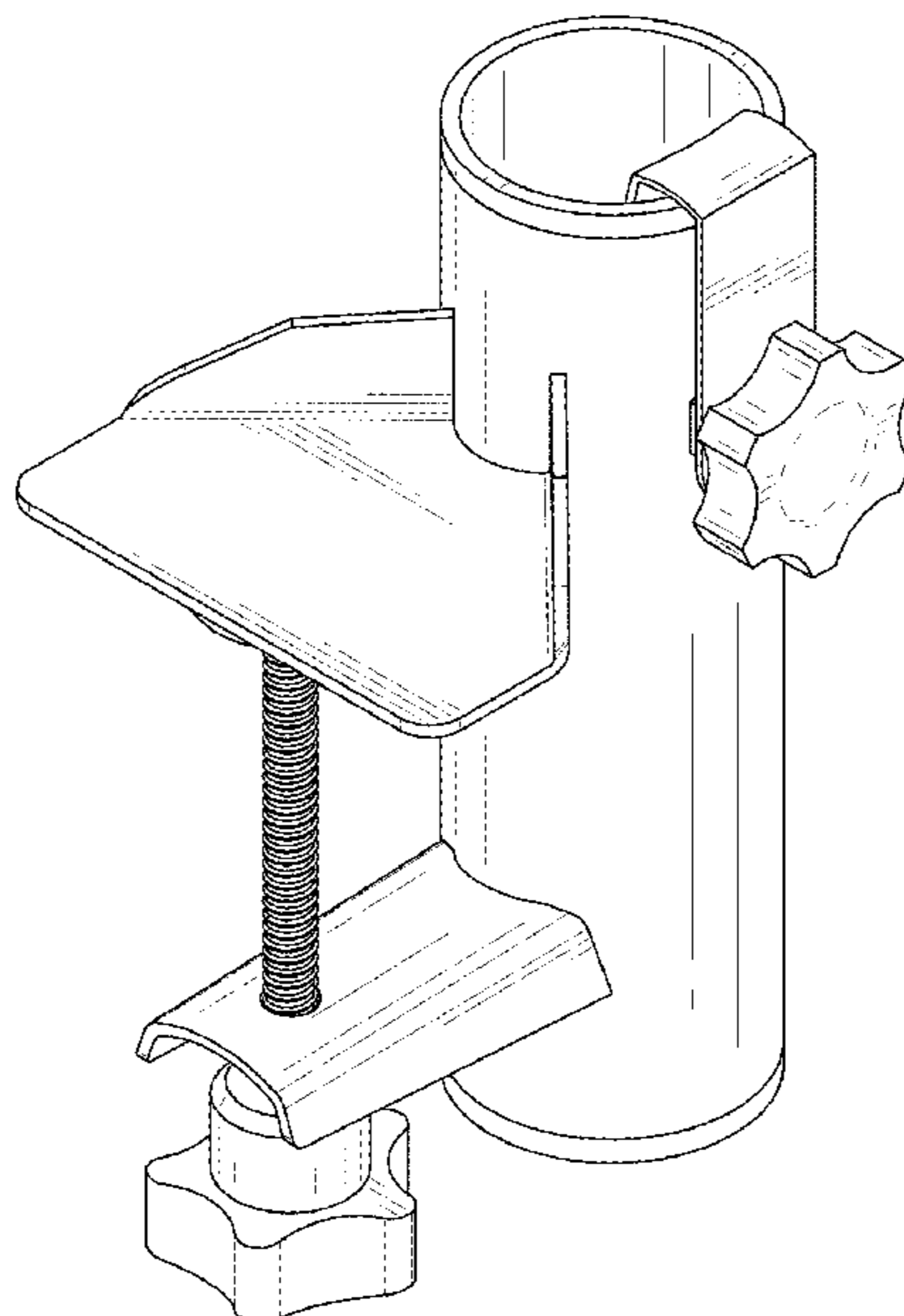
(57) **CLAIM**

The ornamental design for an umbrella bracket, as shown and described.

DESCRIPTION

FIG. 1 is a front, right side, top perspective view of an umbrella bracket showing my new design;
FIG. 2 is a left side, bottom perspective view thereof;
FIG. 3 is a front elevational view thereof;
FIG. 4 is a rear elevational view thereof;
FIG. 5 is a left side elevational view thereof;
FIG. 6 is a right side elevational view thereof;
FIG. 7 is a top plan view thereof;
FIG. 8 is a bottom plan view thereof; and,
FIG. 9 is a cross-sectional view thereof as taken along the lines 9-9 in FIG. 7.
The broken lines depict portions of the umbrella bracket that form no part of the claimed design.

1 Claim, 9 Drawing Sheets



(56)

References Cited

U.S. PATENT DOCUMENTS

8,196,882	B2 *	6/2012	Antus, Jr.	A45B 3/00 248/231.71
D723,262	S *	3/2015	Macmillan	D3/10
D738,100	S *	9/2015	Forthuber	D3/10
D757,421	S *	5/2016	Chaloux	D3/10
D769,707	S *	10/2016	Roentz	D8/396
9,476,541	B1 *	10/2016	Kastner	A45B 17/00
D770,758	S *	11/2016	Chaloux	D3/10
9,624,685	B1 *	4/2017	Cordle	E04H 12/2238
9,791,101	B1 *	10/2017	Frankel	A47C 7/58
9,915,854	B2 *	3/2018	Kim, II	F21V 17/002
10,034,523	B2 *	7/2018	Lowery	A45B 11/00
D850,780	S *	6/2019	Bird	D3/10
10,337,203	B1 *	7/2019	Tomsky	E04H 12/2269
D855,968	S *	8/2019	Hu	D3/10
D860,628	S *	9/2019	Hu	D3/10
D892,608	S *	8/2020	Hu	D8/396
10,765,185	B1 *	9/2020	Wengerd	F16B 2/10

* cited by examiner

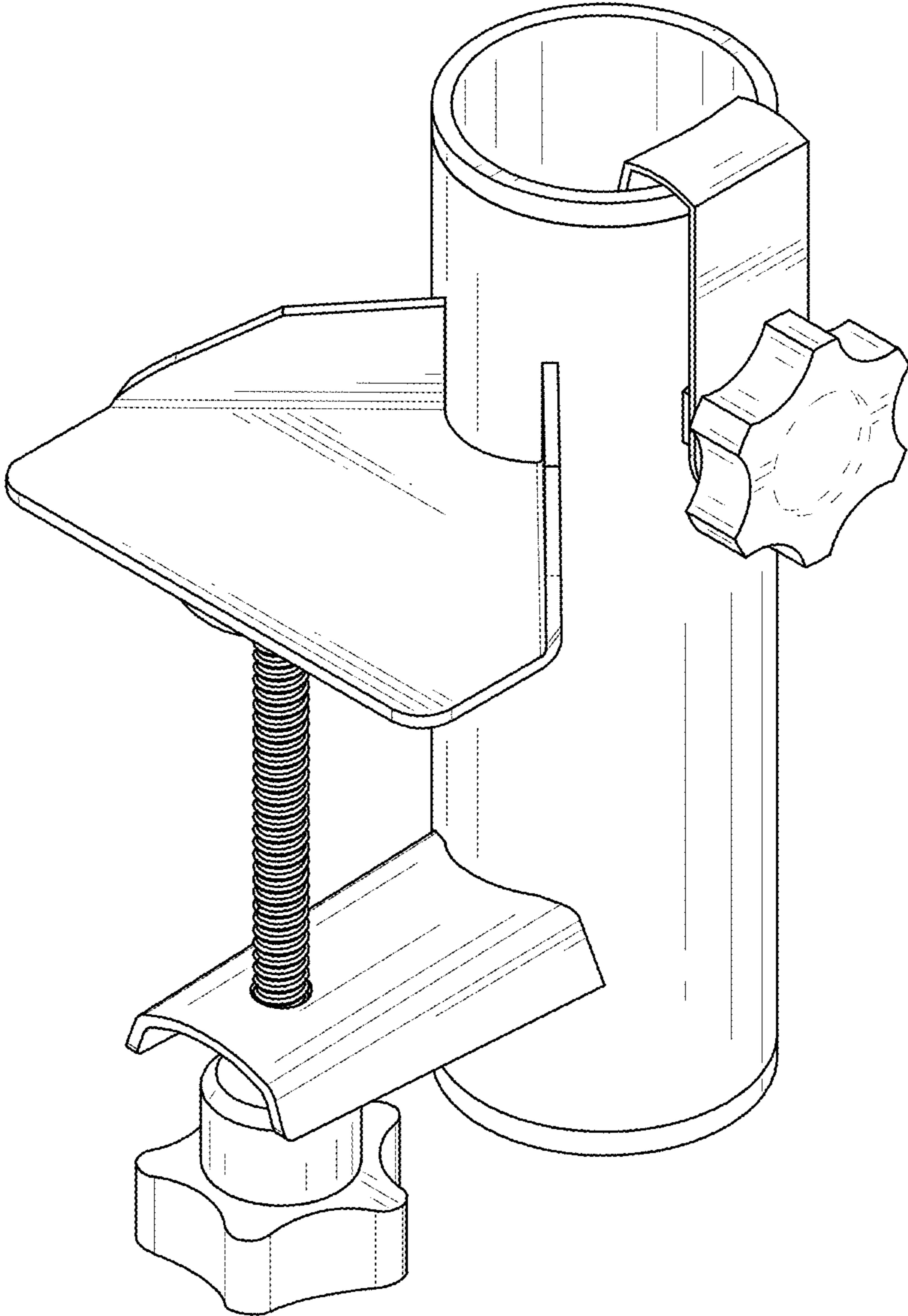


FIG.1

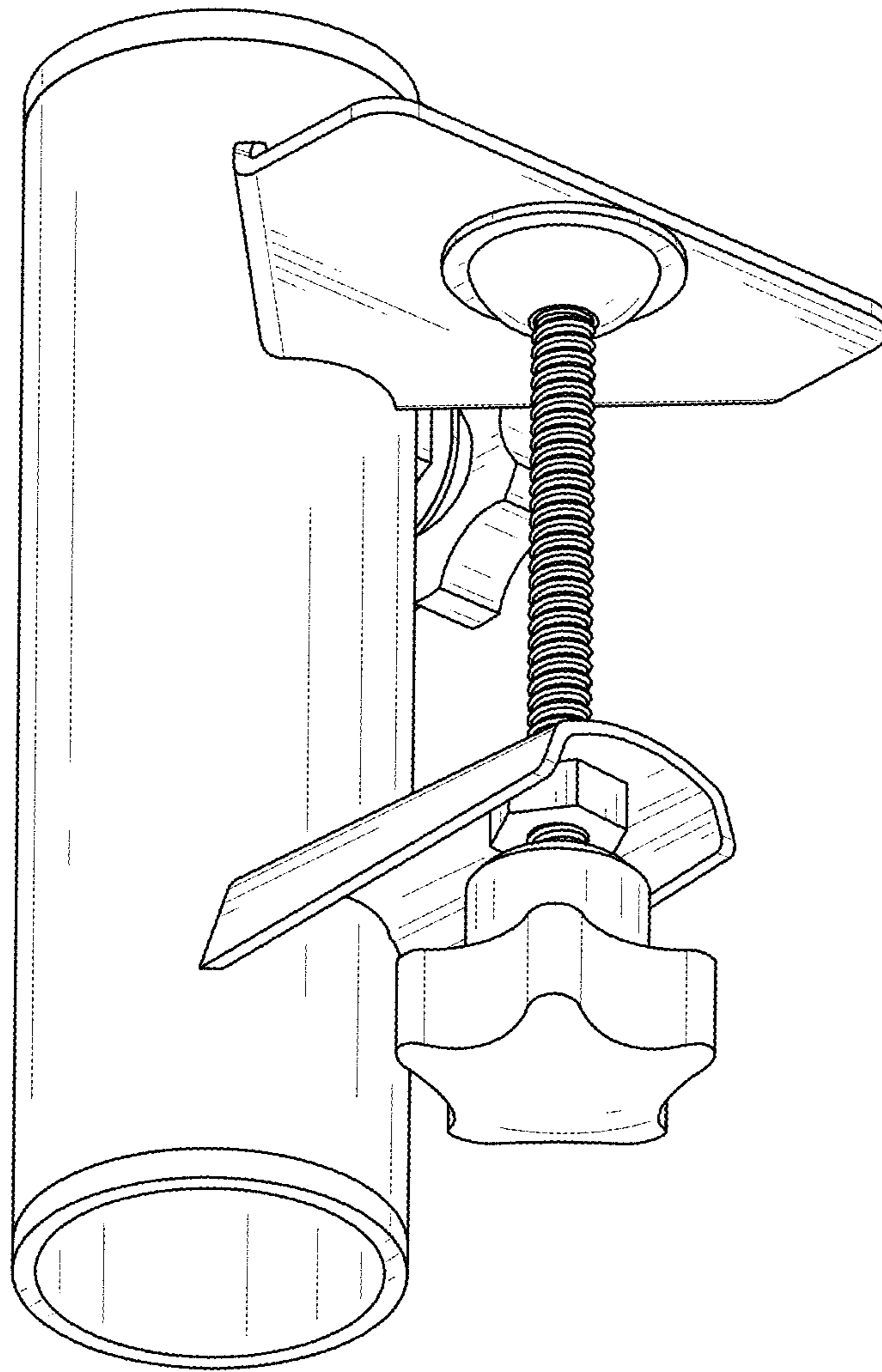


FIG.2

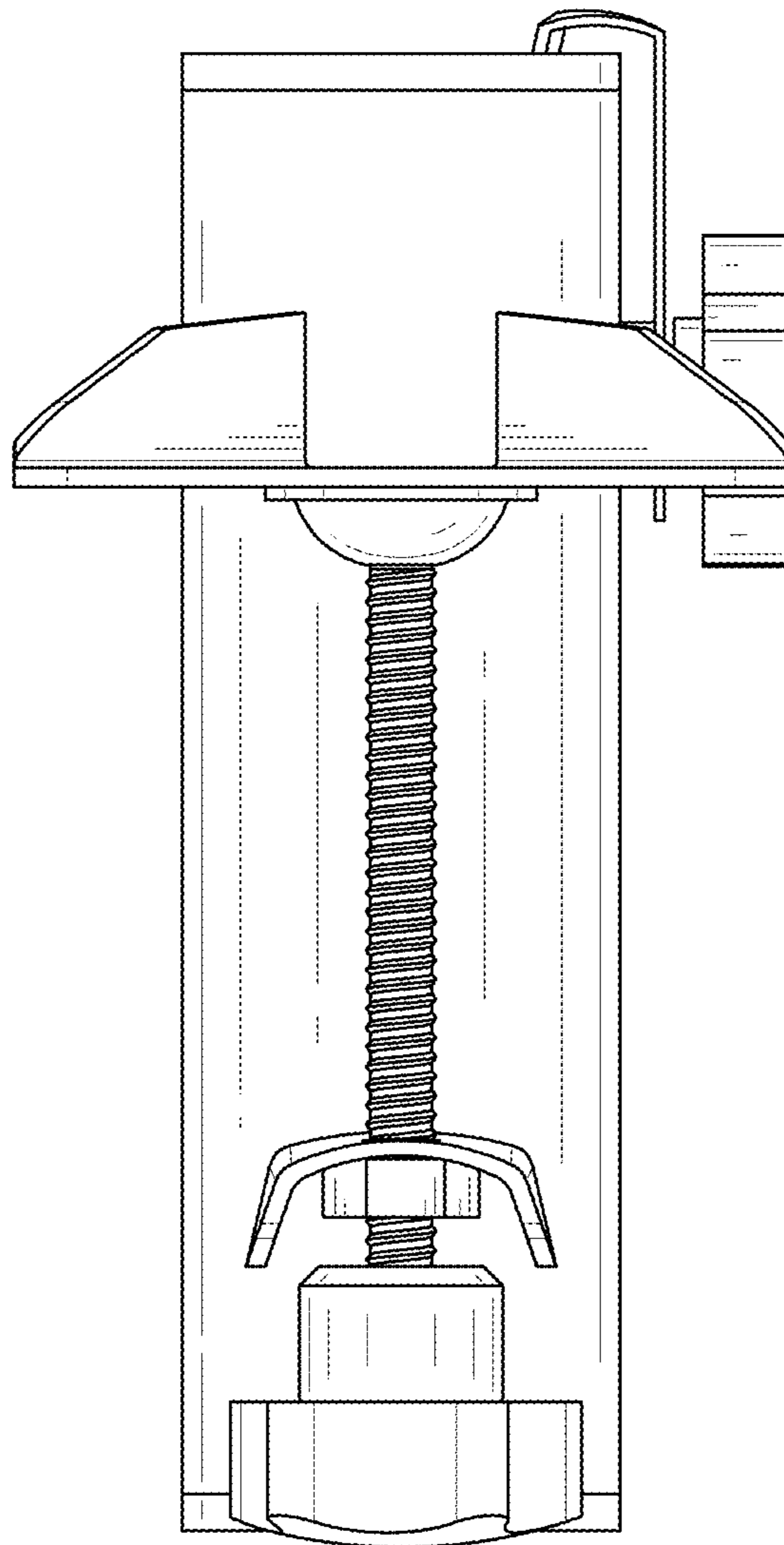


FIG. 3

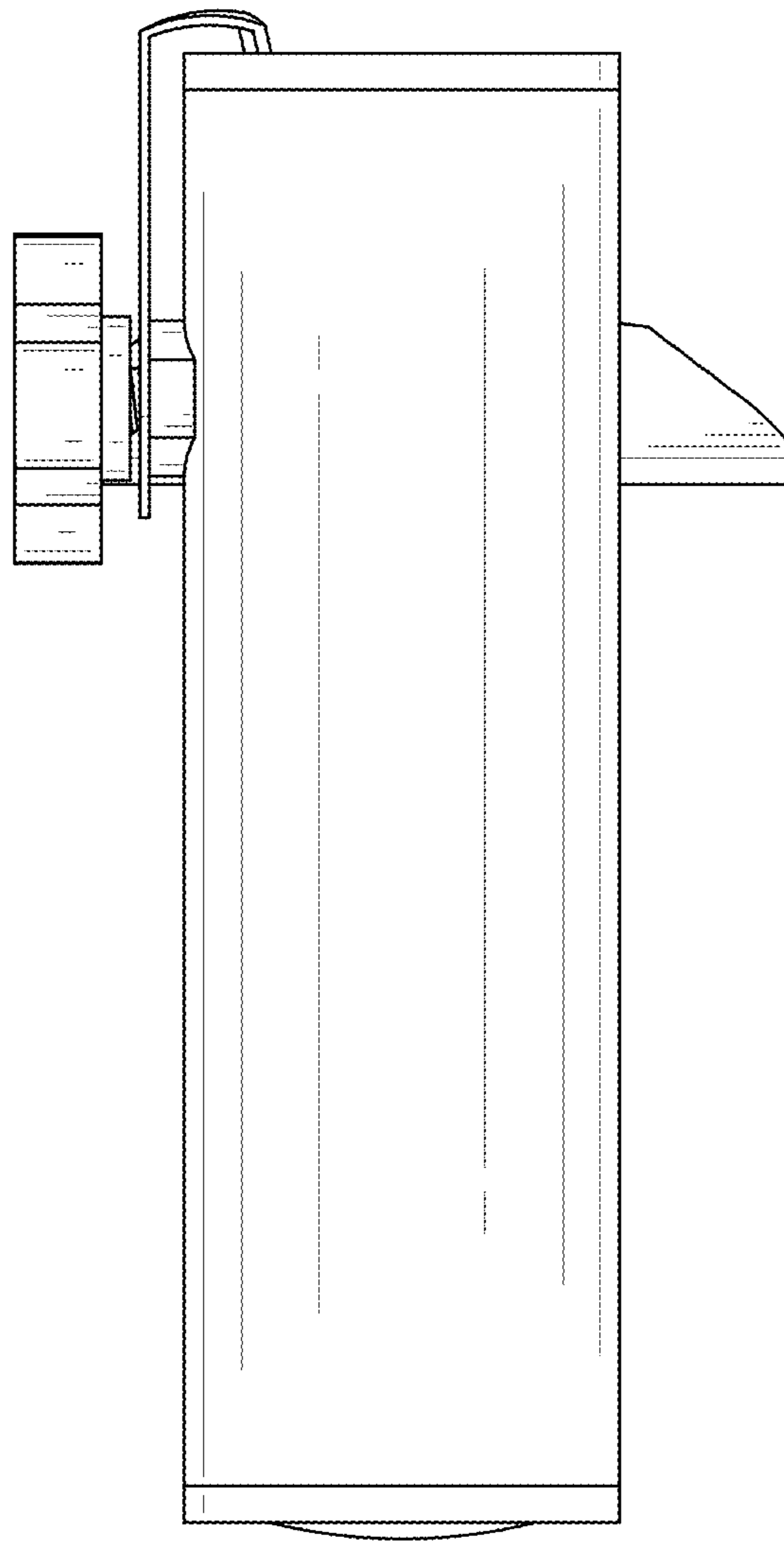


FIG. 4

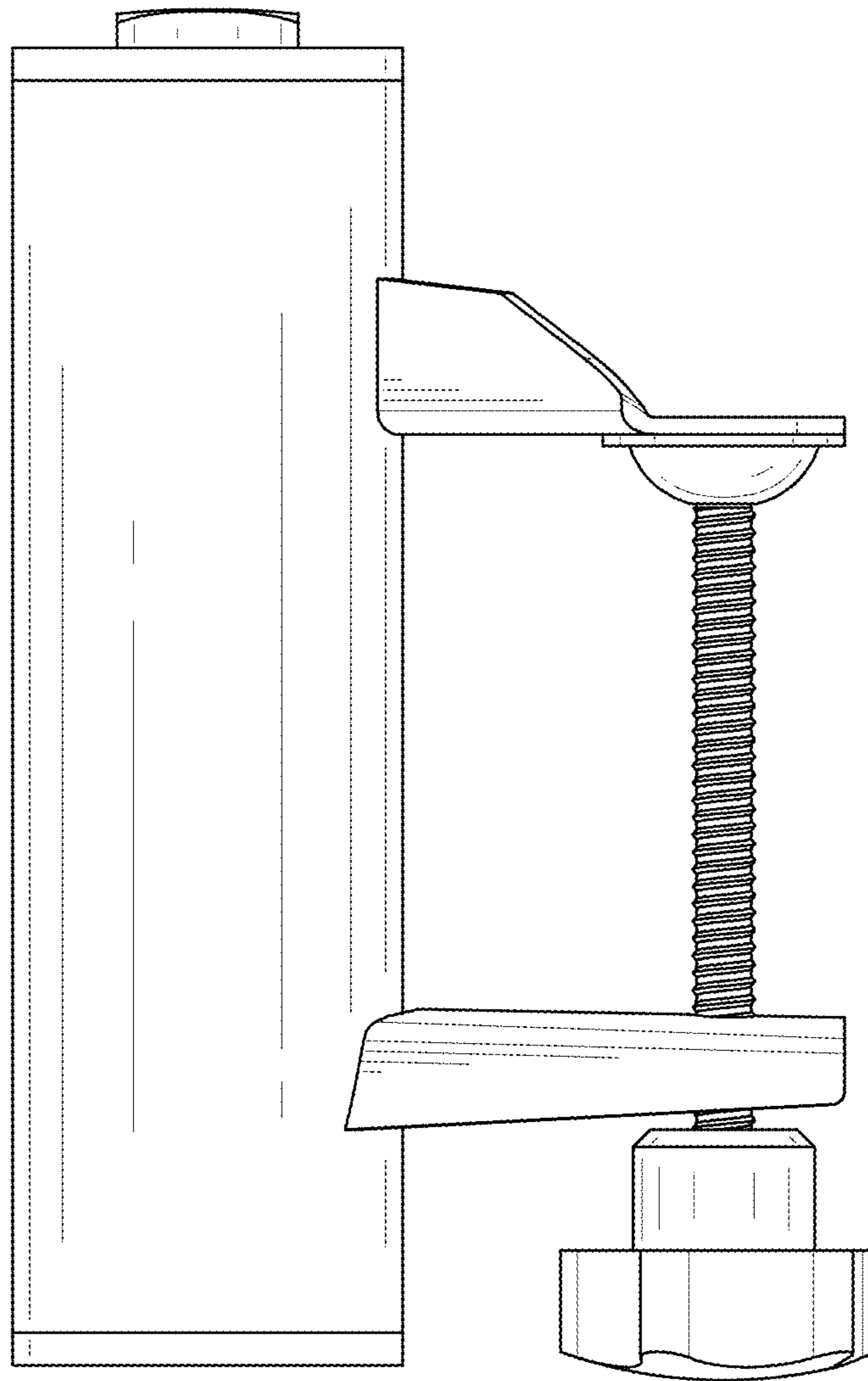


FIG. 5

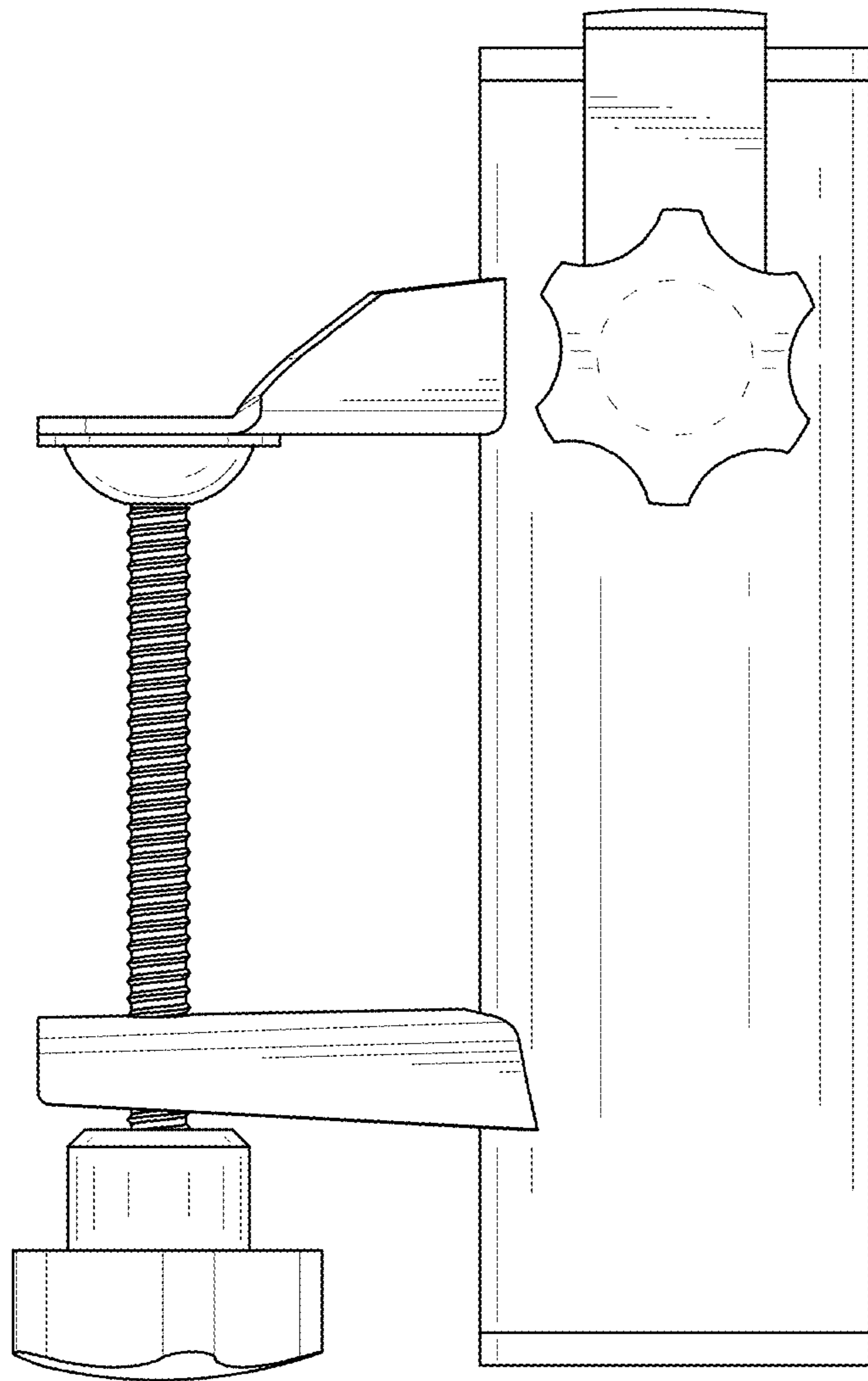


FIG.6

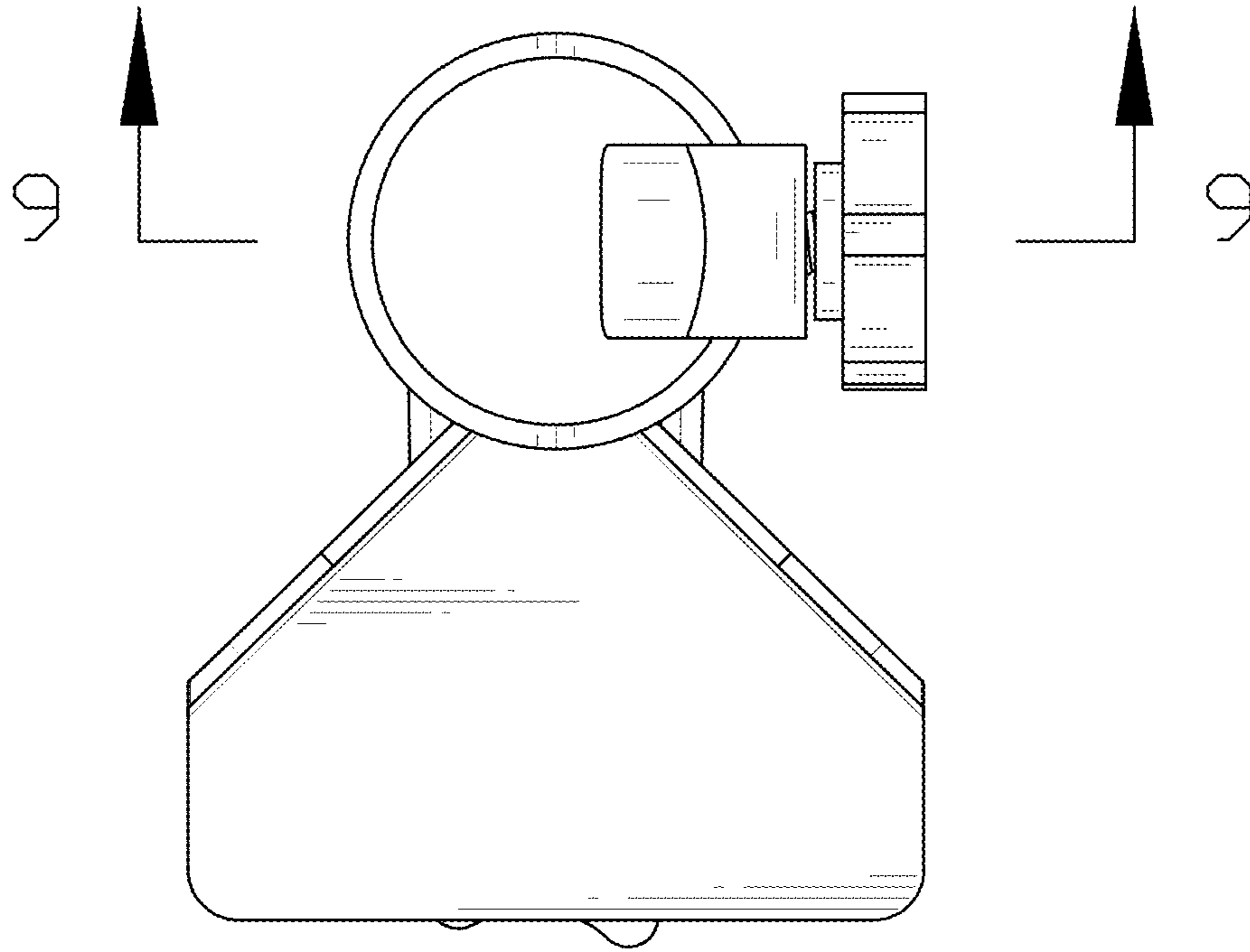


FIG. 7

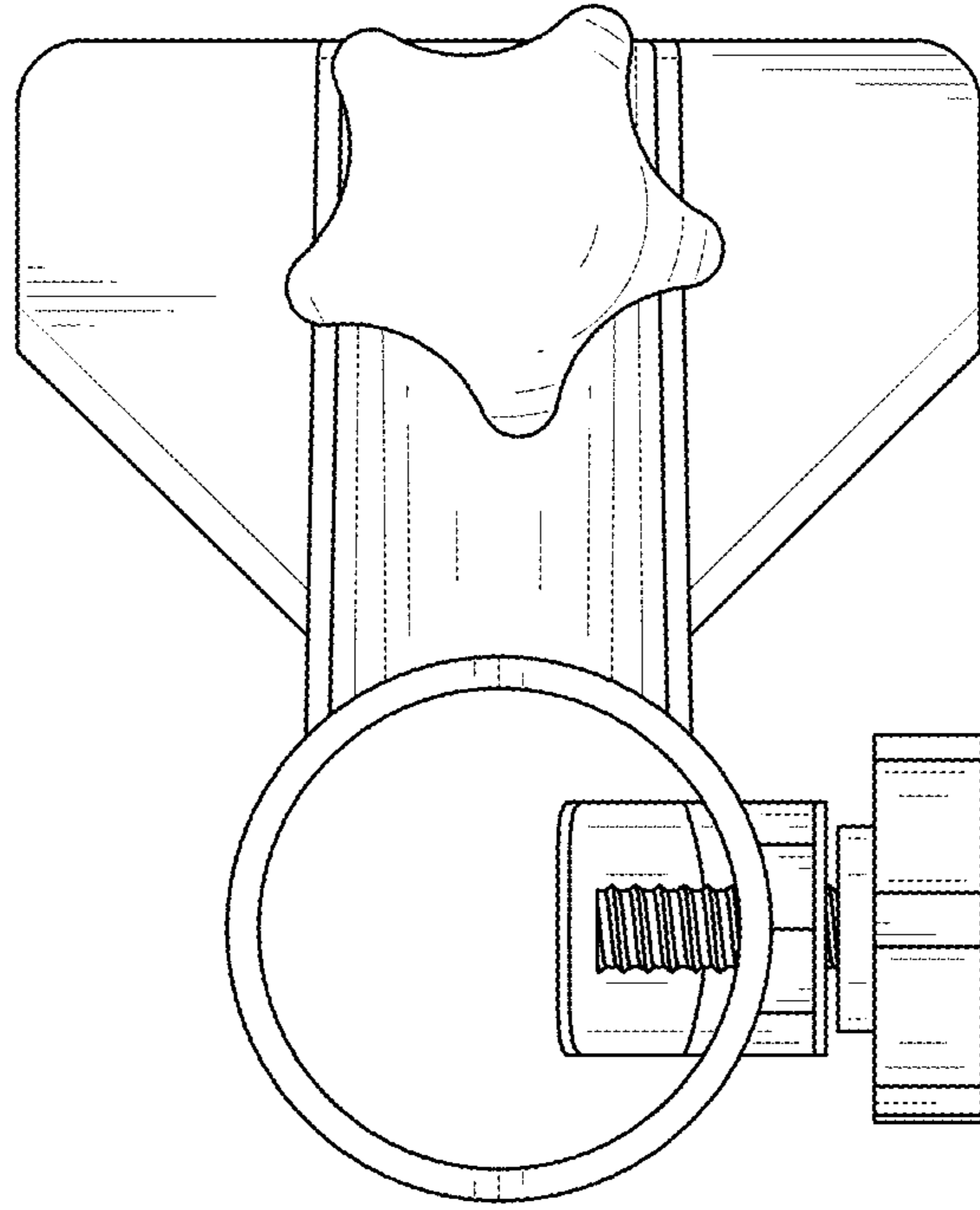


FIG.8

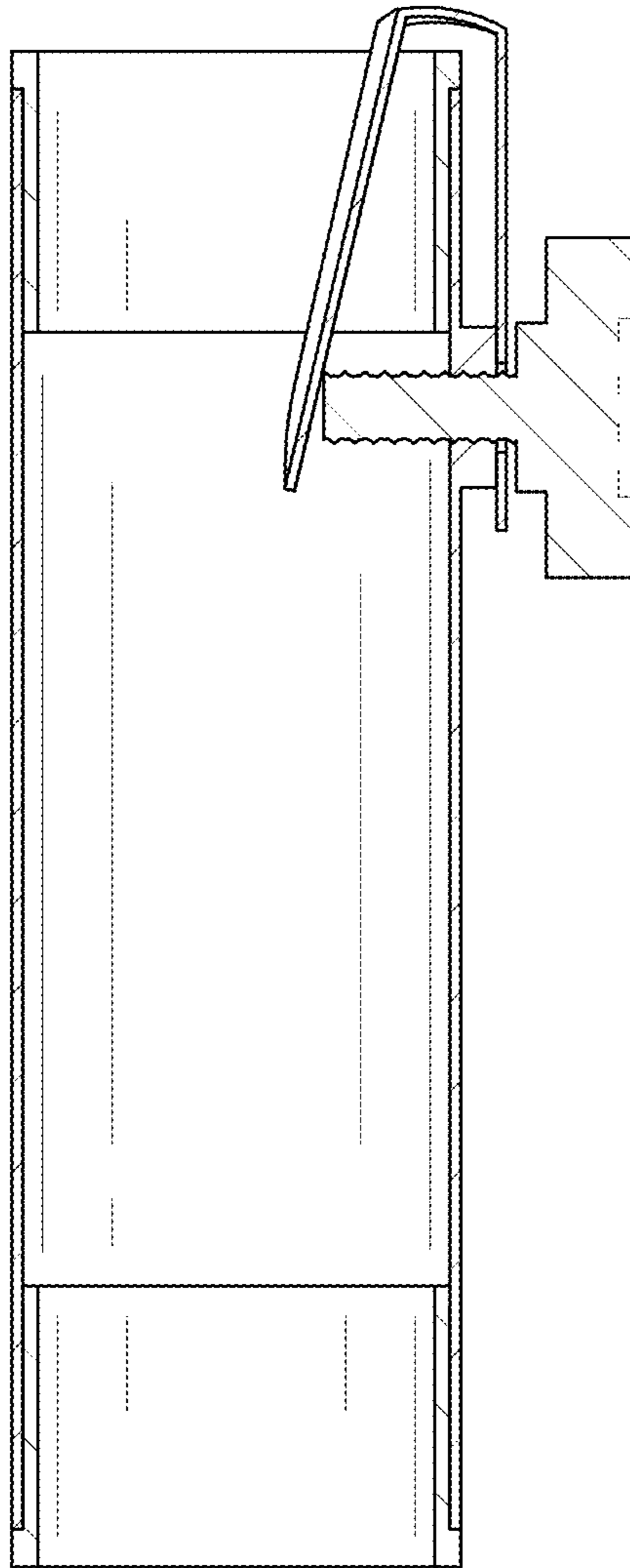


FIG. 9