



US00D911017S

(12) **United States Design Patent** (10) **Patent No.:** **US D911,017 S**
Gerke (45) **Date of Patent:** **** Feb. 23, 2021**

(54) **FOOTWEAR UPPER**
(71) Applicant: **Deckers Outdoor Corporation**, Goleta, CA (US)
(72) Inventor: **Seth Gerke**, Santa Barbara, CA (US)
(73) Assignee: **Deckers Outdoor Corporation**, Goleta, CA (US)
(**) Term: **15 Years**
(21) Appl. No.: **29/694,508**
(22) Filed: **Jun. 11, 2019**
(51) **LOC (13) Cl.** **02-04**
(52) **U.S. Cl.**
USPC **D2/973**
(58) **Field of Classification Search**
USPC D2/896, 902, 904, 906-908, 944, 969, D2/972-974; D5/47, 49, 50, 53, 54, 56, D5/60
CPC ... A43B 13/181; A43B 13/141; A43B 13/186; A43B 13/188; A43B 23/00; A43B 23/02; A43B 5/00; A43B 23/26; A43B 1/04; A43B 11/14; A43B 7/00; A43B 3/12; A43C 3/00; A43C 5/00; A43C 7/00; A43C 11/004; A43C 1/00; A43C 1/06
See application file for complete search history.

D337,425 S * 7/1993 Hatfield D2/973
D340,125 S * 10/1993 Johnson D2/910
D343,277 S * 1/1994 Richard D2/970
D345,247 S * 3/1994 Bailey D2/969
D346,686 S * 5/1994 Hatfield D2/973
D348,977 S * 7/1994 Koh D2/903
D351,723 S * 10/1994 Bevier D2/969
D358,021 S * 5/1995 Vestuti D2/902
6,128,835 A 10/2000 Ritter et al.
D441,175 S 5/2001 Ritter et al.
D460,245 S * 7/2002 Butler D2/916
D473,702 S * 4/2003 Burg D2/969
6,772,541 B1 8/2004 Ritter et al.

(Continued)

OTHER PUBLICATIONS

TEVA Spring-Summer 2005 catalog, see Rydecker Pro style, pp. 18-19, in print and circulation in the US as late as Jun. 2005.

Primary Examiner — Dominic V Simone
(74) *Attorney, Agent, or Firm* — Greer, Burns & Crain, Ltd.

(57) **CLAIM**

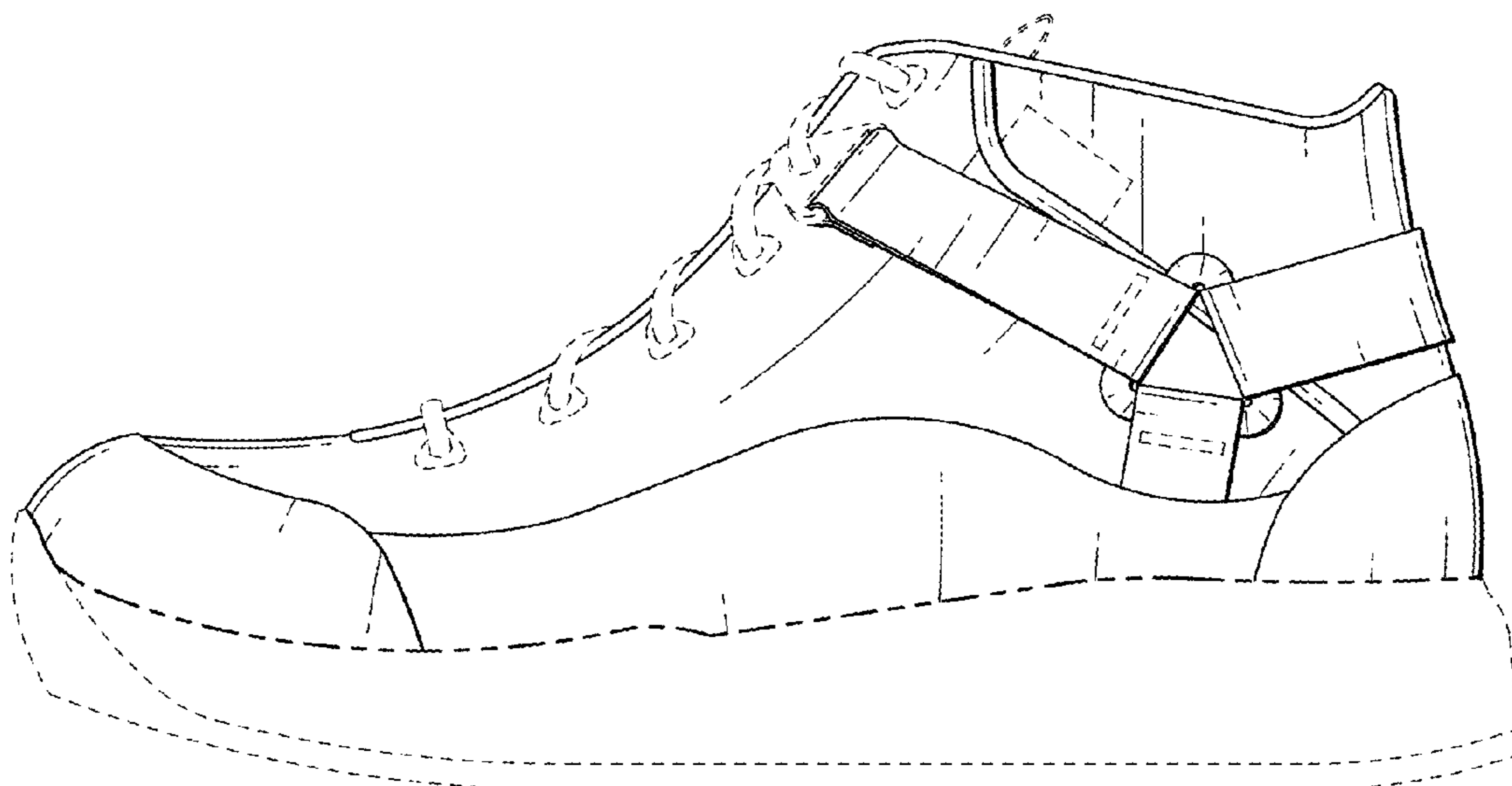
The ornamental design for a footwear upper, as shown and described.

DESCRIPTION

FIG. 1 is a rear perspective view of a footwear upper showing my new design;
FIG. 2 is a side elevational view thereof;
FIG. 3 is an opposite side elevational view thereof;
FIG. 4 is a front elevational view thereof;
FIG. 5 is a rear elevational view thereof;
FIG. 6 is a top plan view thereof; and,
FIG. 7 is a bottom plan view thereof.
The broken lines in FIGS. 1-7 represent portions of the footwear that form no part of the claimed design. The broken lines which define the bounds of the claimed design form no part thereof.

1 Claim, 3 Drawing Sheets

(56) **References Cited**
U.S. PATENT DOCUMENTS
D64,104 S * 2/1924 Kezy D2/911
2,006,802 A * 7/1935 Goodman A43C 15/063
36/7.7
D122,454 S * 9/1940 Ascheim A43B 3/126
D2/911
D283,463 S * 4/1986 Chassaing D2/902
D298,685 S * 11/1988 Dillard D2/902
4,793,075 A 12/1988 Thatcher
D328,517 S * 8/1992 Hallenbeck D2/978
D336,358 S * 6/1993 Hatfield D2/973



(56)

References Cited

U.S. PATENT DOCUMENTS

| | | | | | | |
|-----------|----|---|---------|-------------|-------|------------|
| D511,609 | S | * | 11/2005 | Magro | | D2/902 |
| D513,361 | S | * | 1/2006 | Teriatnikov | | D2/969 |
| D527,886 | S | * | 9/2006 | Morris | | D2/972 |
| D539,018 | S | * | 3/2007 | Belley | | D2/969 |
| D671,728 | S | * | 12/2012 | Kelley | | D2/969 |
| D674,178 | S | * | 1/2013 | Petrie | | D2/972 |
| D675,008 | S | * | 1/2013 | VanHook | | D2/972 |
| D718,920 | S | * | 12/2014 | Jones | | D2/946 |
| D726,998 | S | * | 4/2015 | Mochen | | D2/906 |
| 9,596,904 | B2 | * | 3/2017 | Bishop | | A43B 3/126 |
| D804,799 | S | * | 12/2017 | Petrenka | | D2/969 |
| D804,800 | S | * | 12/2017 | Petrenka | | D2/969 |
| D854,302 | S | * | 7/2019 | McMillan | | D2/969 |

* cited by examiner

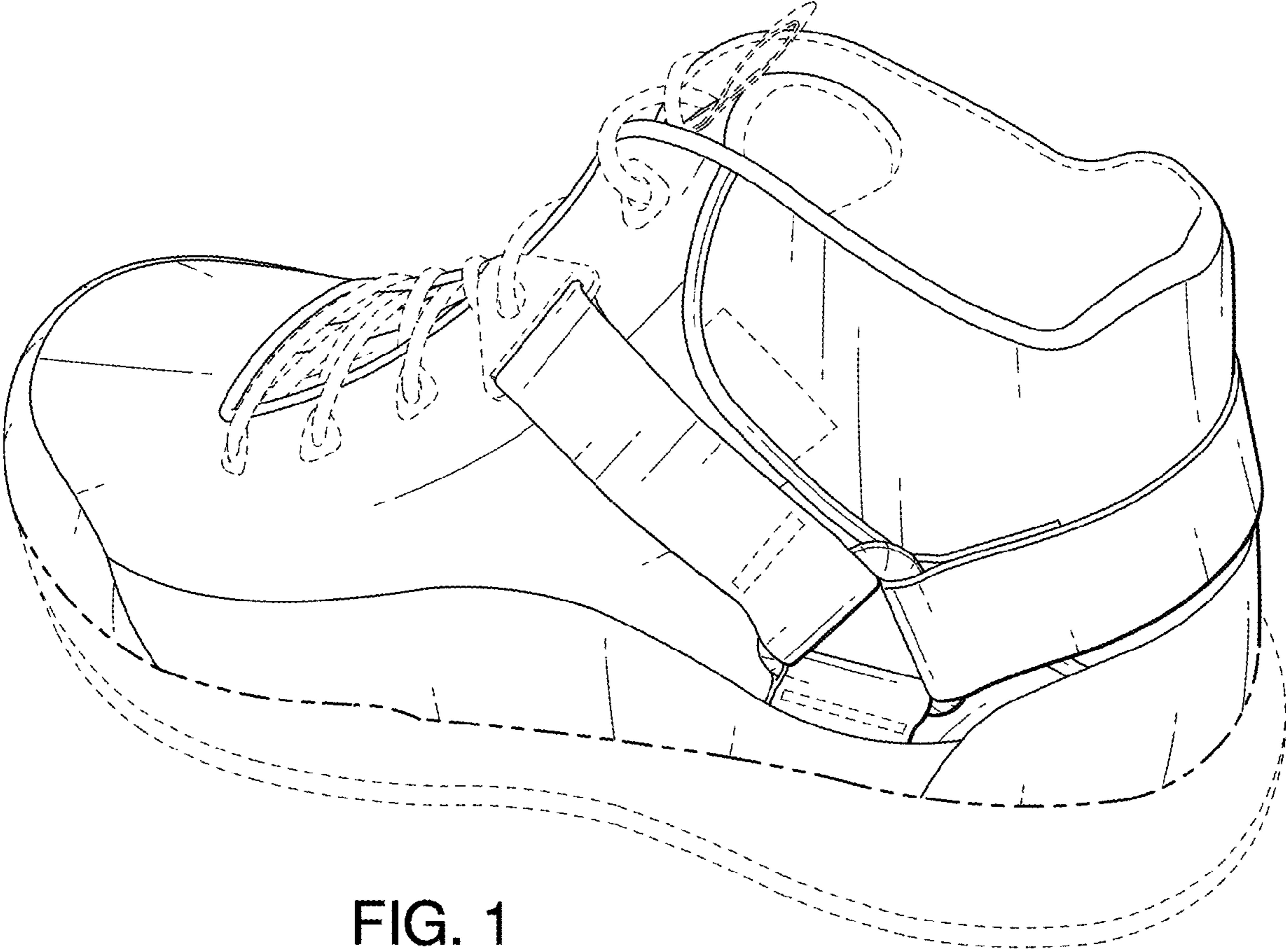


FIG. 1

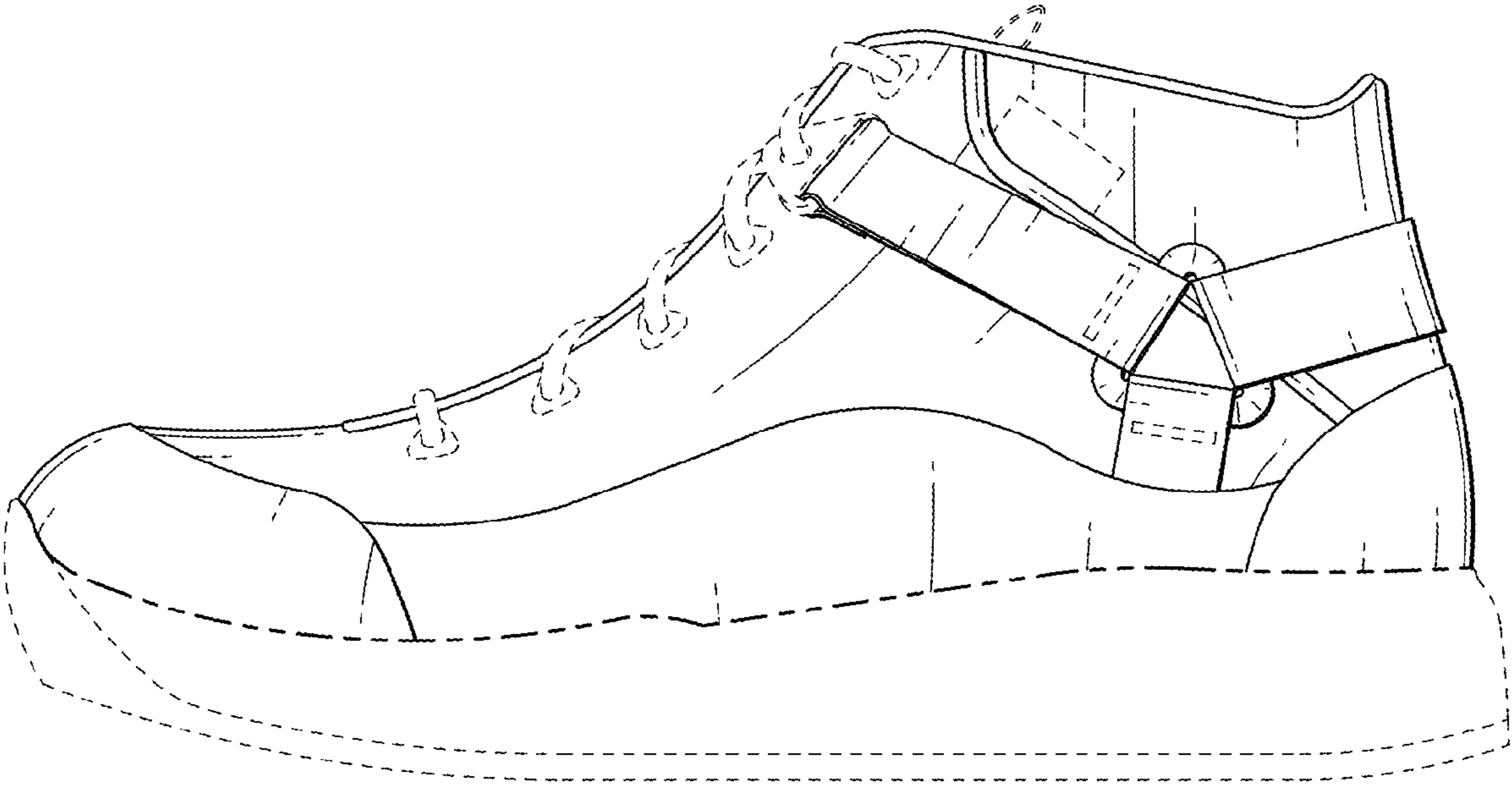


FIG. 2

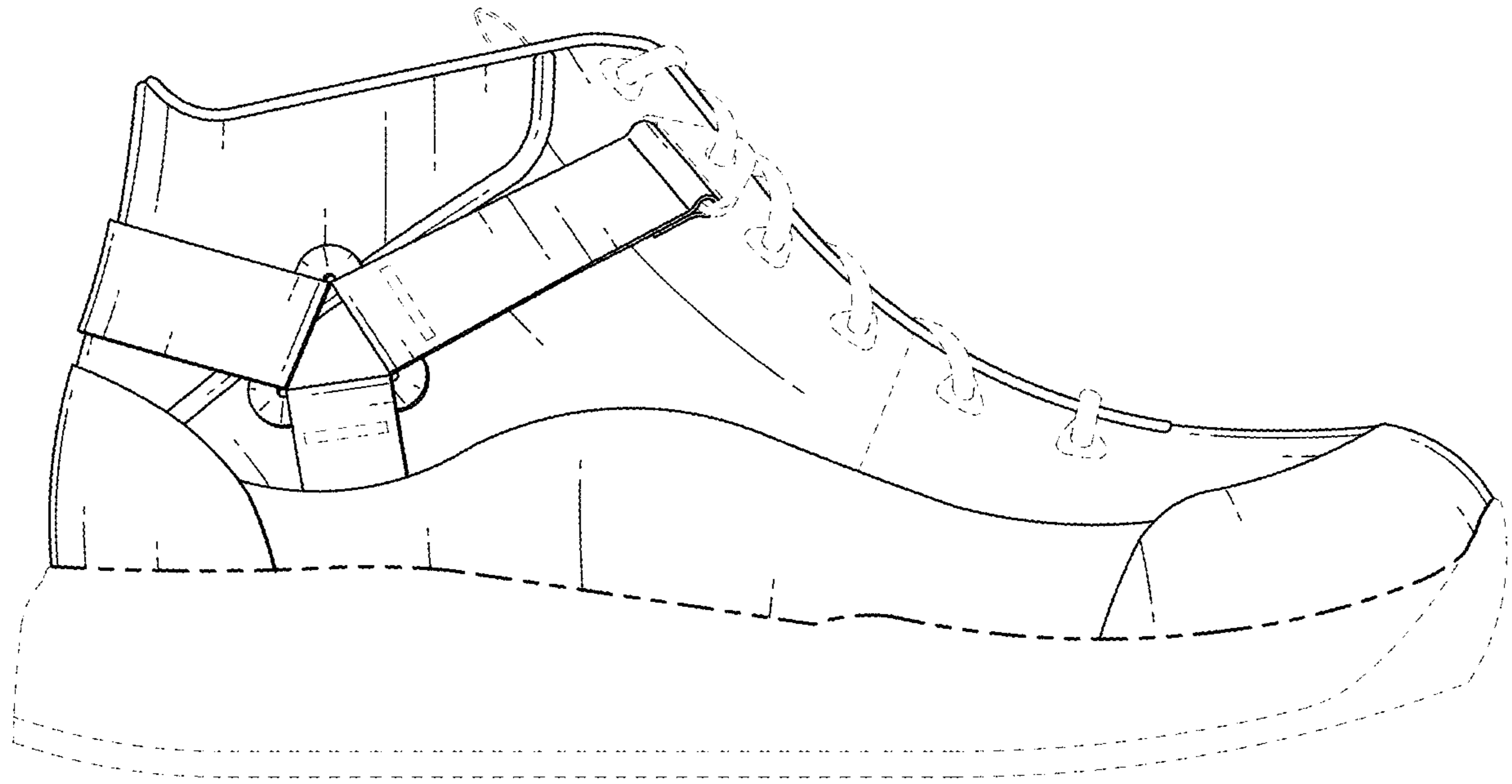


FIG. 3

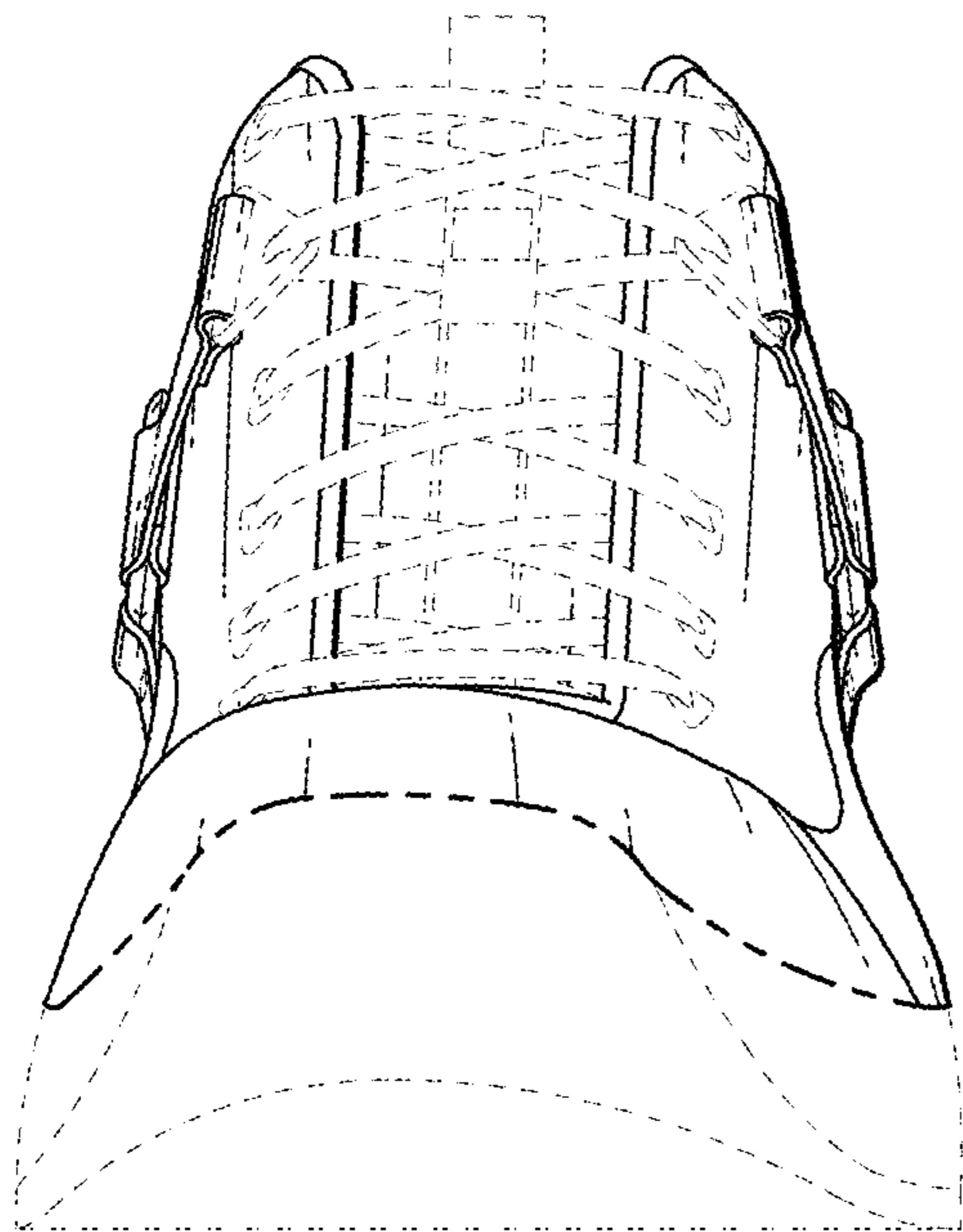


FIG. 4

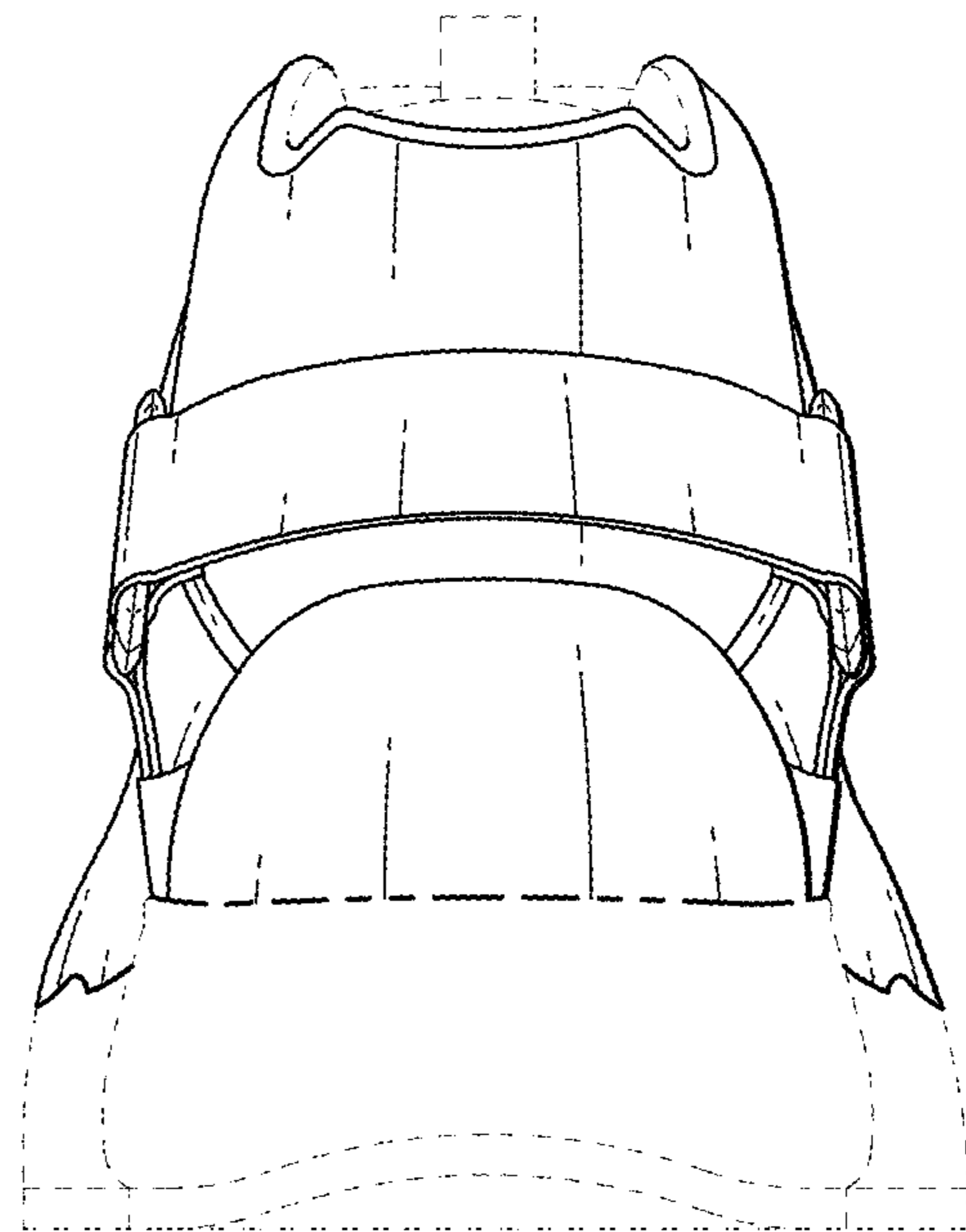


FIG. 5

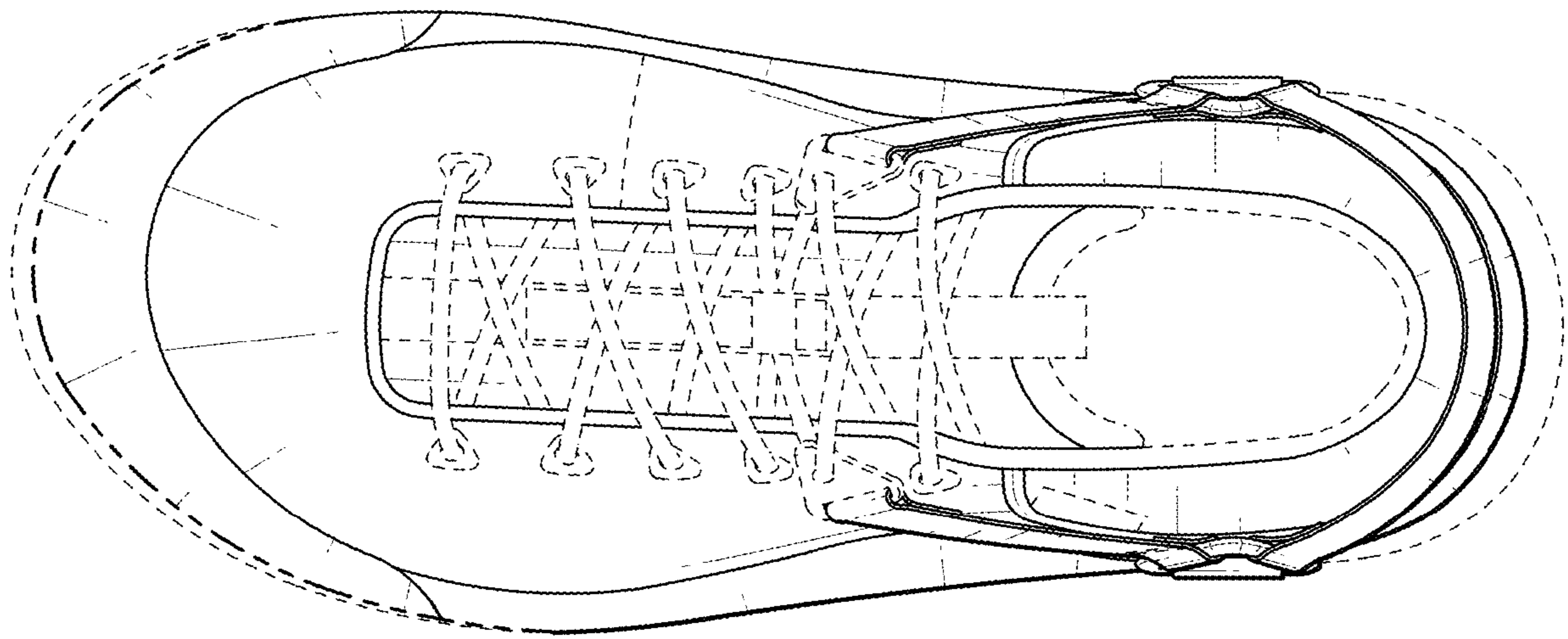


FIG. 6

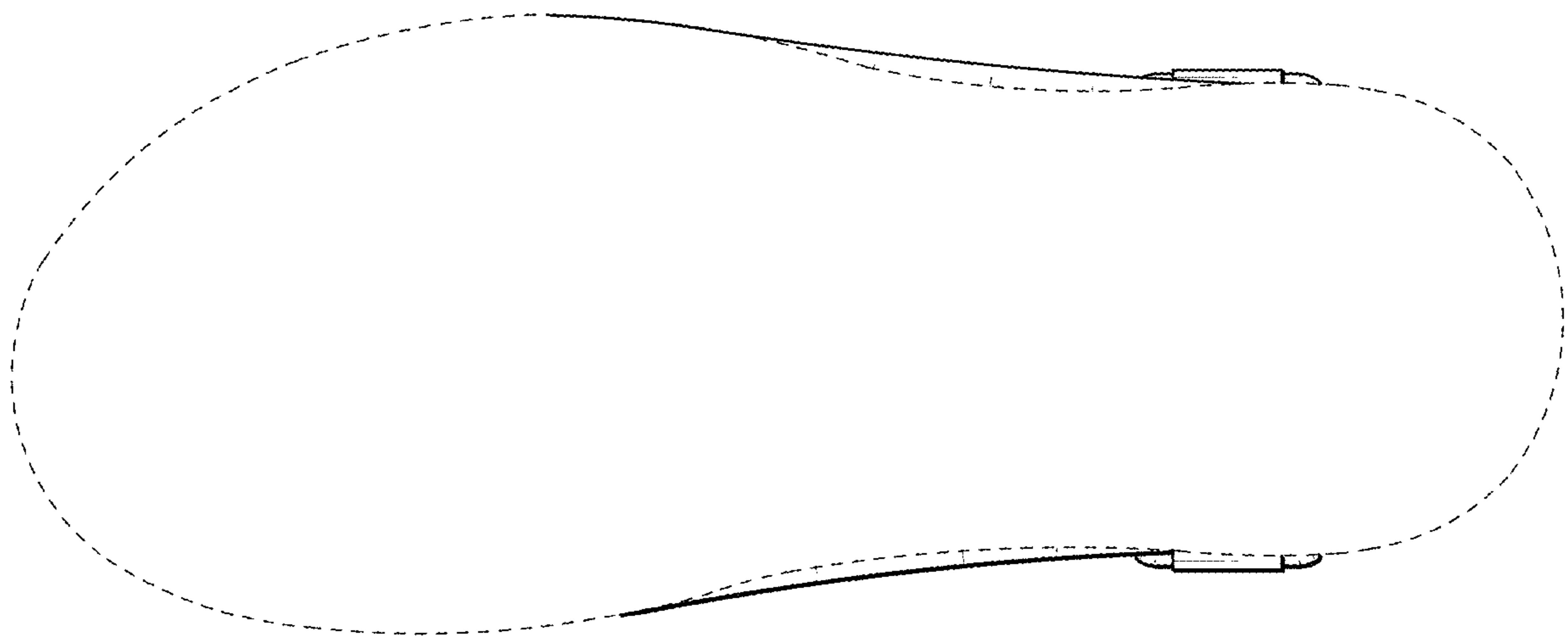


FIG. 7