



US00D911016S

(12) **United States Design Patent** (10) **Patent No.:** **US D911,016 S**  
**Richez et al.** (45) **Date of Patent:** **\*\* Feb. 23, 2021**

(54) **SHOE**  
(71) Applicant: **NIKE, Inc.**, Beaverton, OR (US)  
(72) Inventors: **Elodie Richez**, Portland, OR (US);  
**Kristina Gerig**, Portland, OR (US)  
(73) Assignee: **NIKE, Inc.**, Beaverton, OR (US)  
(\*\*) Term: **15 Years**  
(21) Appl. No.: **29/743,867**  
(22) Filed: **Jul. 24, 2020**  
(51) **LOC (13) Cl.** ..... **02-04**  
(52) **U.S. Cl.**  
USPC ..... **D2/972**  
(58) **Field of Classification Search**  
USPC ..... D2/896, 902, 904, 906–908, 944, 947,  
D2/969, 972–974; D5/47, 49, 50, 53, 54,  
D5/56, 60  
CPC ... A43B 13/181; A43B 13/141; A43B 13/186;  
A43B 13/188; A43B 23/00; A43B 23/02;  
A43B 5/00; A43B 23/26; A43B 1/04;  
A43B 11/14; A43B 7/00; A43B 3/12;  
A43C 3/00; A43C 5/00; A43C 7/00;  
A43C 11/004; A43C 1/00; A43C 1/06  
See application file for complete search history.

D840,659 S 2/2019 Shyllon  
D875,376 S 2/2020 Petrenka  
D876,769 S 3/2020 Aden  
D876,797 S 3/2020 Aden  
D876,798 S 3/2020 Aden  
D893,850 S \* 8/2020 Bidal ..... D2/969

**OTHER PUBLICATIONS**

Nike Footwear Catalog, 2003 Spring Men’s and Women’s Footwear, p. 12, published Nov. 2002, Nike, Inc., USA.  
Nike Footwear Catalog, 2014 Fall City Specialty Footwear Best Final, p. 13, published Feb. 2013, Nike, Inc., USA.  
Nike Footwear Catalog, 2016 Fall Sporting Goods Footwear Best NA, p. 9, published Nov. 2015, Nike, Inc., USA.  
“The Nike ZoomX Vista Grind Is Coming Soon in Black and Pink”; Sneaker News; retrieved Jul. 22, 2020; published Sep. 15, 2019; URL: <<https://sneakernews.com/2019/09/15/nike-zoomx-vista-grind-bq4800-001-release-info/>>.  
“The Nike Zoom Double Stacked Debuts on Jul. 2 in Volt”; Sneaker News; retrieved Jul. 22, 2020; published Jun. 21, 2020; URL: <<https://sneakernews.com/2020/06/21/nike-zoom-double-stacked-volt-ci0804-700-release-date/>>.

\* cited by examiner

*Primary Examiner* — Dominic V Simone  
(74) *Attorney, Agent, or Firm* — Banner & Witcoff, Ltd.

(57) **CLAIM**

The ornamental design for a shoe, as shown and described.

**DESCRIPTION**

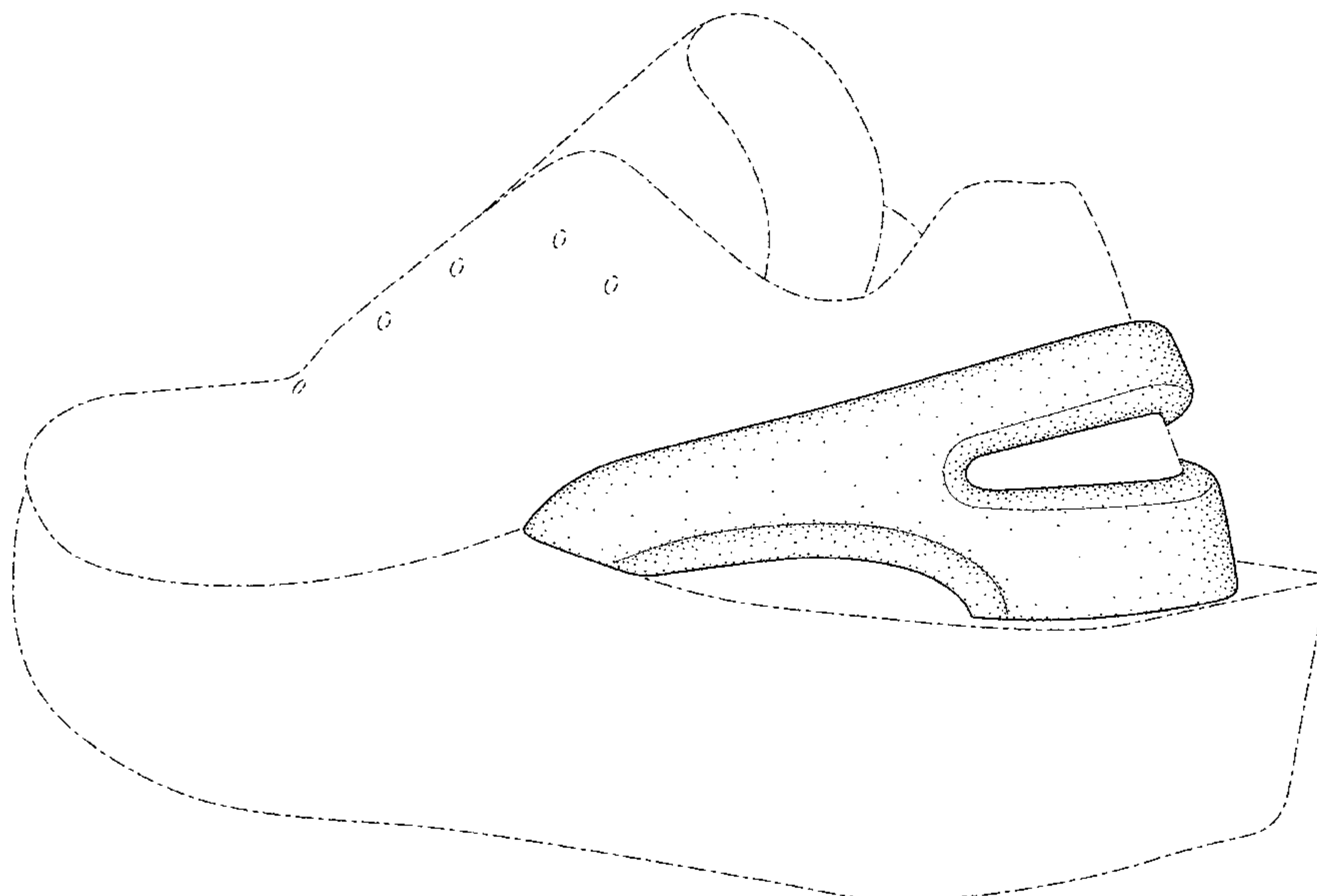
FIG. 1 is a side view of a shoe showing our new design; FIG. 2 is a rear perspective view thereof; FIG. 3 is a rear view thereof; FIG. 4 is an opposite side rear perspective view thereof; and, FIG. 5 is an opposite side view thereof. The broken lines depicting the remainder of the shoe form no part of the claimed design.

**1 Claim, 5 Drawing Sheets**

(56) **References Cited**

**U.S. PATENT DOCUMENTS**

D318,563 S \* 7/1991 Lucas ..... D2/972  
D480,548 S 10/2003 Matis et al.  
D563,657 S 3/2008 Matis et al.  
D609,451 S 2/2010 Dombrow  
D644,011 S \* 8/2011 Teteriatnikov ..... D2/969  
D658,860 S \* 5/2012 Stryjak ..... D2/972  
D740,528 S 10/2015 Hardman  
D781,561 S 3/2017 Gibson  
D790,832 S 7/2017 Fogg  
D810,420 S 2/2018 Teague



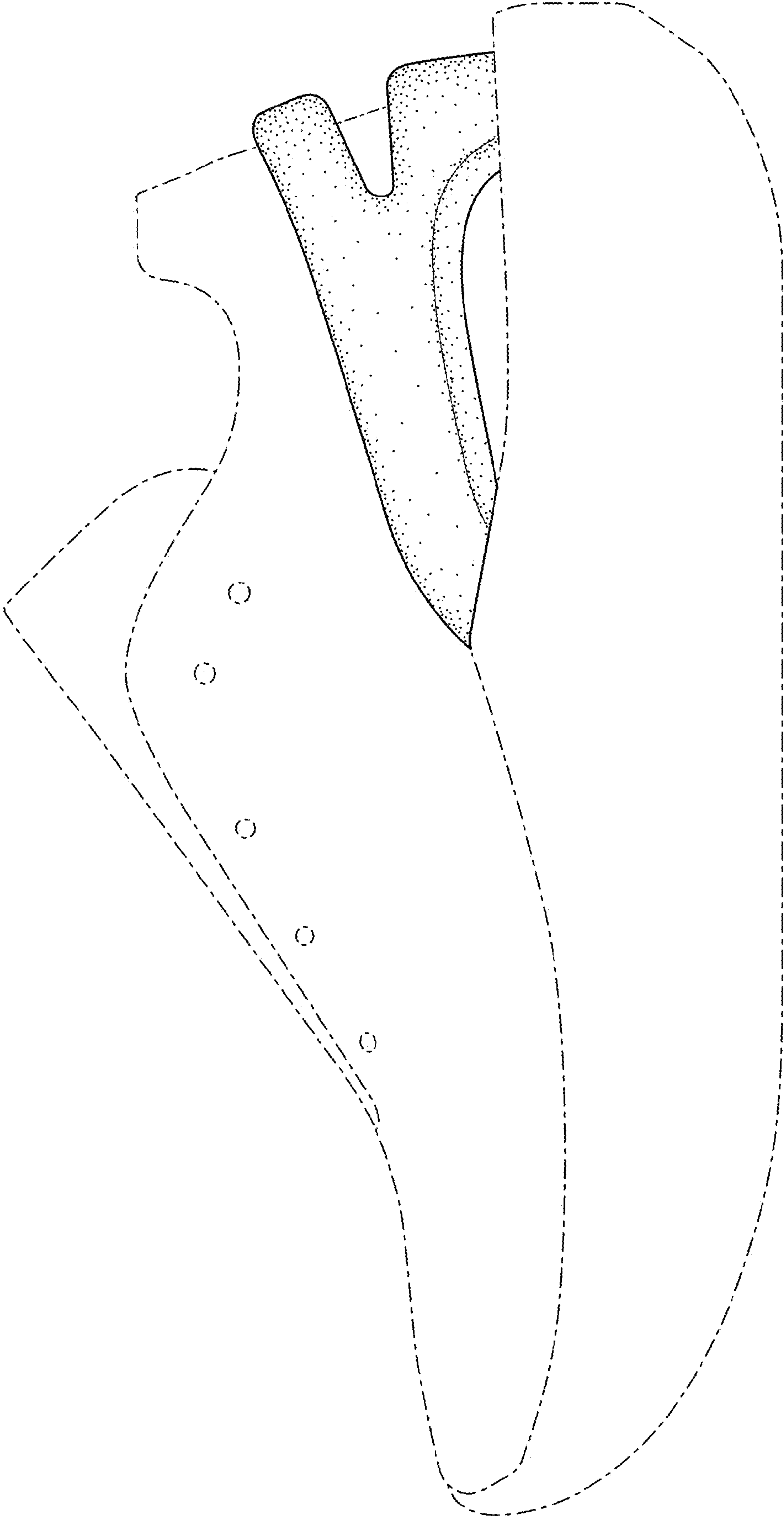


FIG. 1

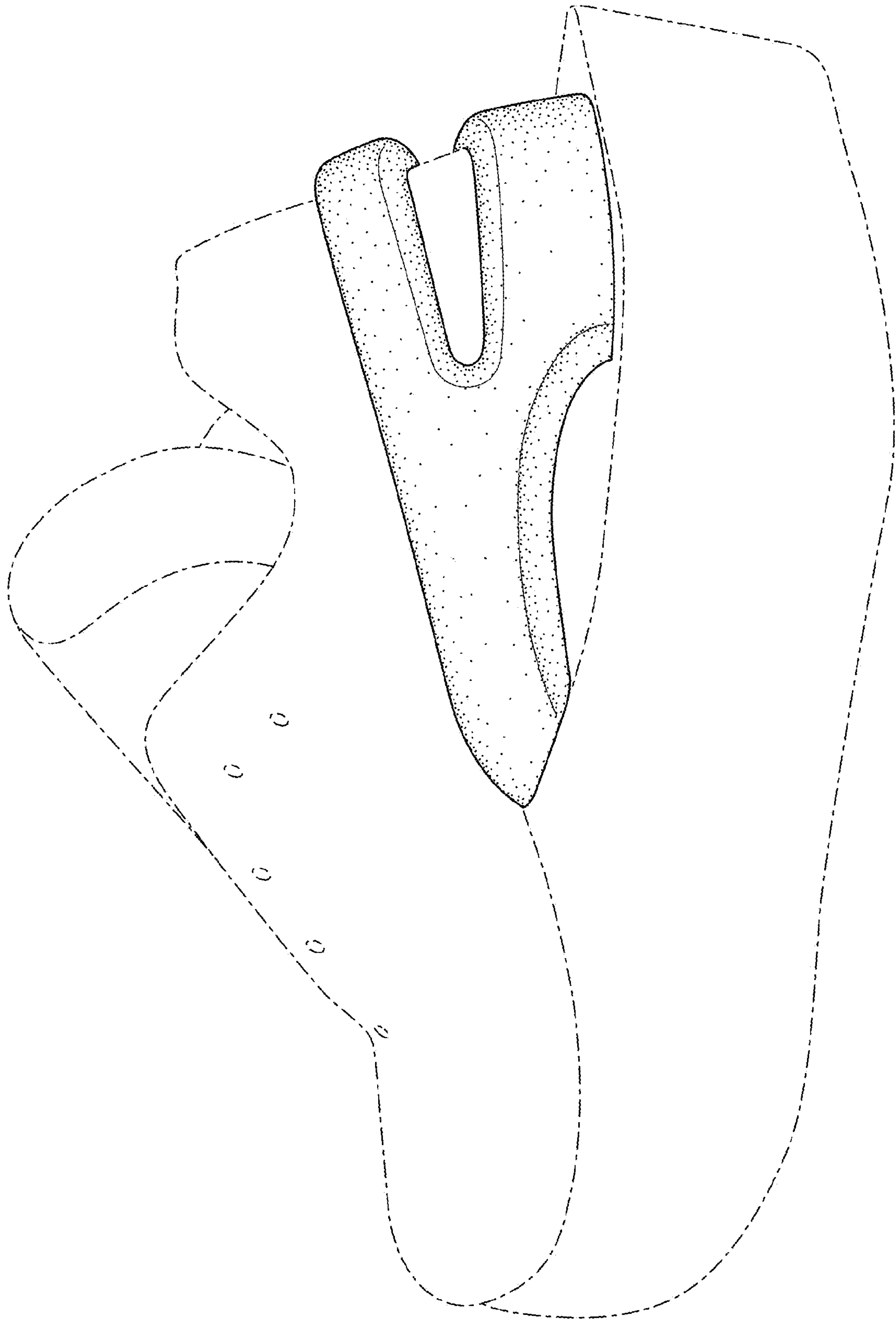


FIG. 2

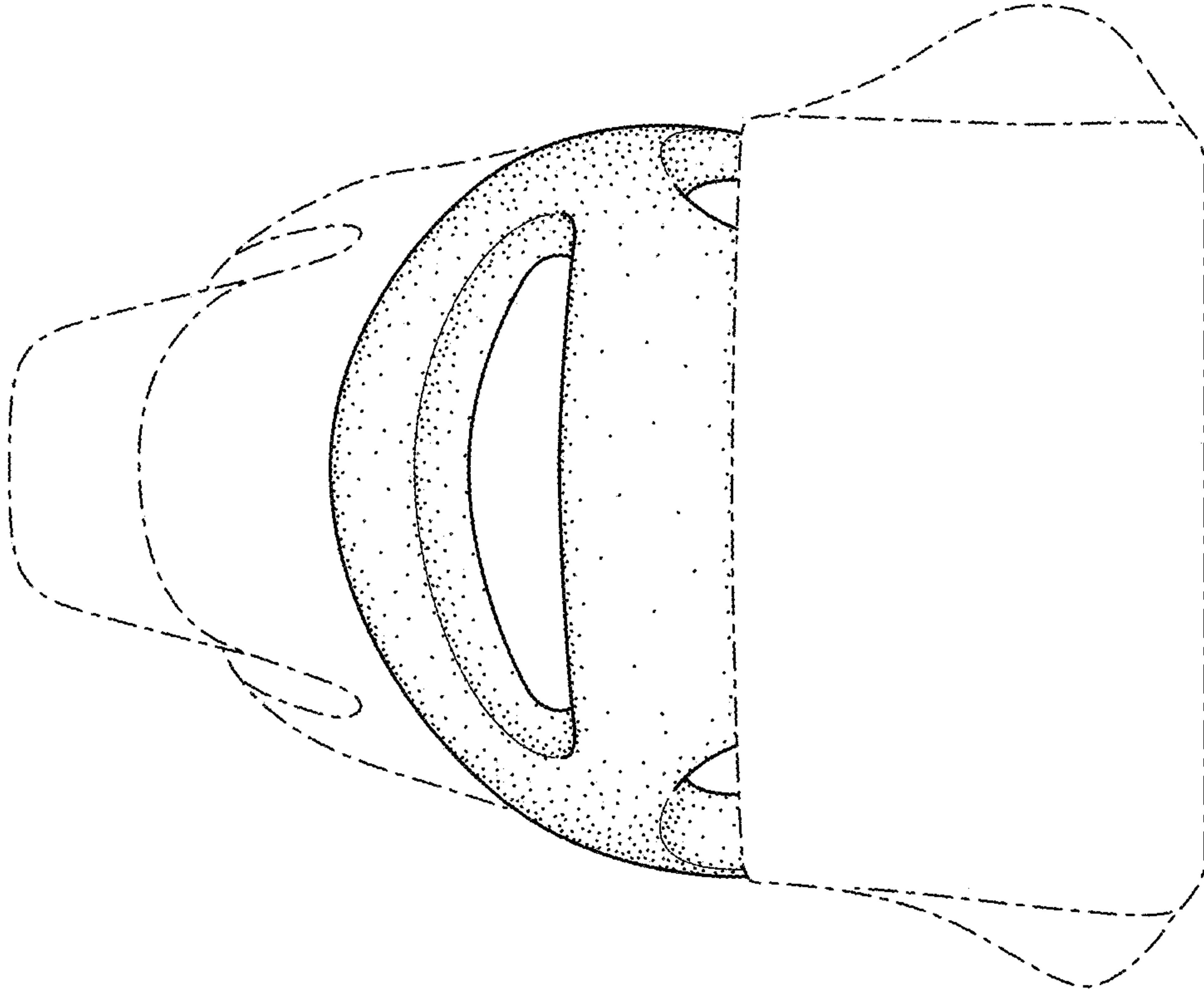


FIG. 3

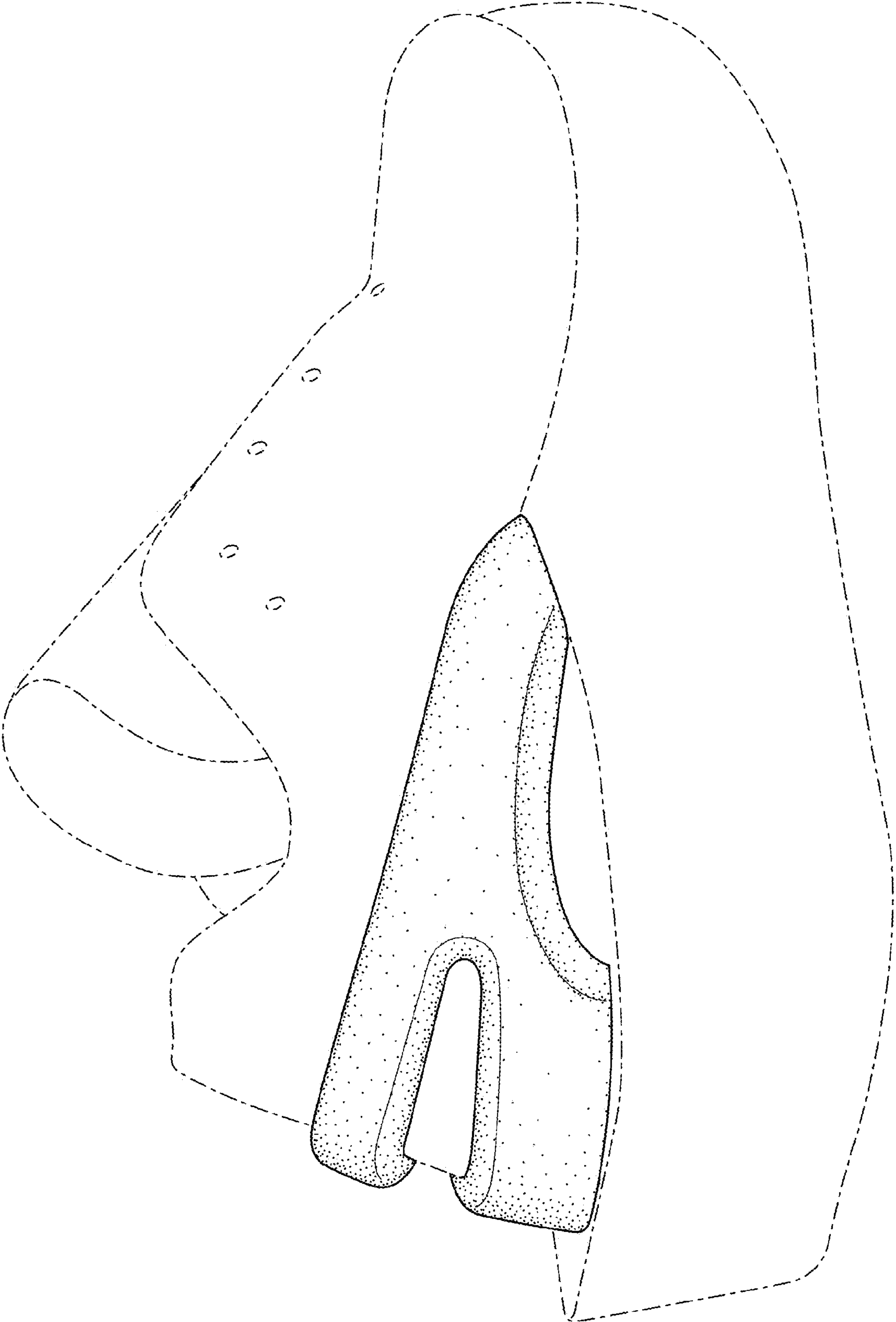


FIG. 4

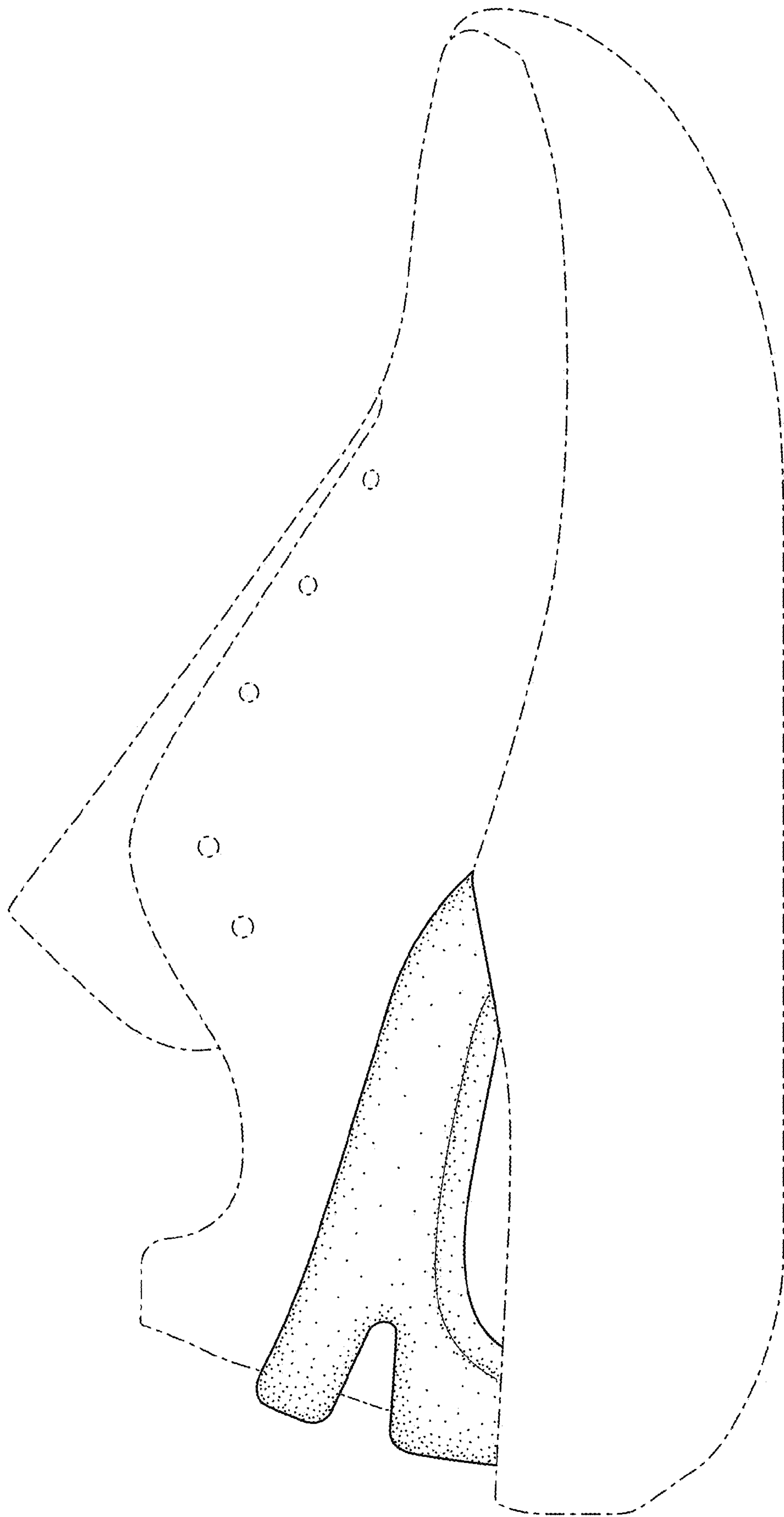


FIG. 5