



US00D911010S

(12) **United States Design Patent** (10) **Patent No.:** **US D911,010 S**  
**Achtipes** (45) **Date of Patent:** **\*\* Feb. 23, 2021**

- (54) **SHOE**
- (71) Applicant: **STRAYE INTERNATIONAL LLC**,  
Boca Raton, FL (US)
- (72) Inventor: **Nicholaos C. Achtipes**, Boca Raton, FL  
(US)
- (73) Assignee: **Straye International, LLC**, Boca  
Raton, FL (US)
- (\*\*) Term: **15 Years**
- (21) Appl. No.: **29/720,561**
- (22) Filed: **Jan. 14, 2020**
- (51) **LOC (13) Cl.** ..... **02-04**
- (52) **U.S. Cl.**  
USPC ..... **D2/972**
- (58) **Field of Classification Search**  
USPC ..... D2/896, 902, 904, 906-908, 969,  
D2/972-974, 977  
CPC ..... A43B 23/02; A43B 13/181; A43B 13/141;  
A43B 13/186; A43B 13/188; A43B  
23/26; A43B 1/04; A43B 23/00; A43B  
5/00  
See application file for complete search history.

- (56) **References Cited**  
U.S. PATENT DOCUMENTS  
D339,904 S \* 10/1993 Suzuki ..... D2/906  
D354,391 S \* 1/1995 Hatfield ..... D2/970  
D385,101 S \* 10/1997 Teague ..... D2/972  
D391,060 S \* 2/1998 Cass ..... D2/972  
D398,765 S \* 9/1998 Lozano ..... D2/972  
D427,184 S \* 6/2000 Peters ..... D11/157  
D484,830 S \* 1/2004 Price ..... D12/114  
D515,398 S \* 2/2006 Elwell ..... D8/305  
D534,408 S \* 1/2007 Sultan ..... D8/70

- D550,595 S \* 9/2007 Peng ..... D12/174
- D594,205 S \* 6/2009 Duffy ..... D2/969
- D625,647 S \* 10/2010 Marquez ..... D11/125
- D772,658 S \* 11/2016 Gerber ..... D7/625
- D856,842 S \* 8/2019 Van Der Jagt ..... D11/117

**OTHER PUBLICATIONS**

Shoe Classic Slip on Hot Flames posted by NYLA posted date Apr. 20, 2018, © Amazon, [online], [site visited Dec. 3, 2020]. Available from Internet, <https://www.amazon.com/Shoes-Classic-Slip-Flames-Sneakers/dp/B07CJM4TN3> (Year: 2018).\*  
(Continued)

*Primary Examiner* — Cynthia Ramirez  
*Assistant Examiner* — Laura H Yu  
(74) *Attorney, Agent, or Firm* — McHale & Slavin, P.A.

(57) **CLAIM**  
The ornamental design for a shoe, as shown and described.

**DESCRIPTION**  
FIG. 1 is a front left perspective view of the shoe showing my new design;  
FIG. 2 is a front view thereof;  
FIG. 3 is a rear view thereof;  
FIG. 4 is a left side view thereof;  
FIG. 5 is a right side view thereof;  
FIG. 6 is a top view thereof;  
FIG. 7 is a front left perspective view of an alternative embodiment thereof;  
FIG. 8 is a front view thereof;  
FIG. 9 is a rear view thereof;  
FIG. 10 is a left side view thereof;  
FIG. 11 is a right side view thereof; and,  
FIG. 12 is a top view thereof.  
The portions of the figures illustrated in broken lines depict portions of the shoe that are not part of the claimed design.

**1 Claim, 8 Drawing Sheets**



(56)

**References Cited**

OTHER PUBLICATIONS

Flame Converse Reveal/UnBoxing posted by OGCookieJar posted date Nov. 6, 2019, © Youtube, [online], [site visited Dec. 3, 2020]. Available from Internet, <https://www.youtube.com/watch?v=NB1xtRilBaw> (Year: 2019).\*

Joyrick Harajuku Adidas Flame Shoes posted by Tokyo Street Snaps posted date Sep. 9, 2011, © Tokyo Fashion, [online], [site visited Dec. 3, 2020]. Available from Internet, <https://tokyofashion.com/joyrich-harajuku-rose-hoodie-jeremy-scott-adidas-flame-shoes/> (Year: 2011).\*

\* cited by examiner



FIG. 1

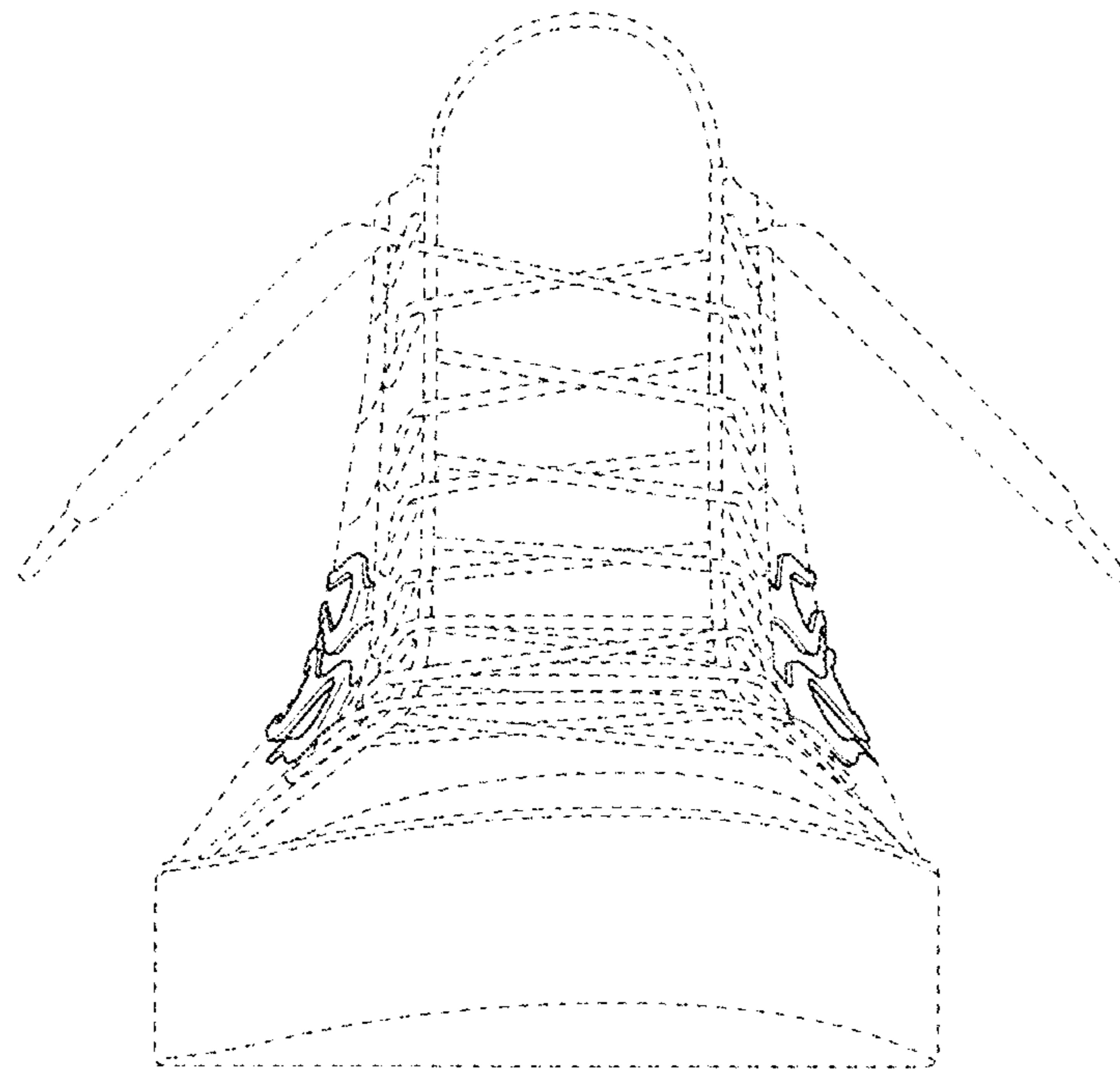


FIG. 2

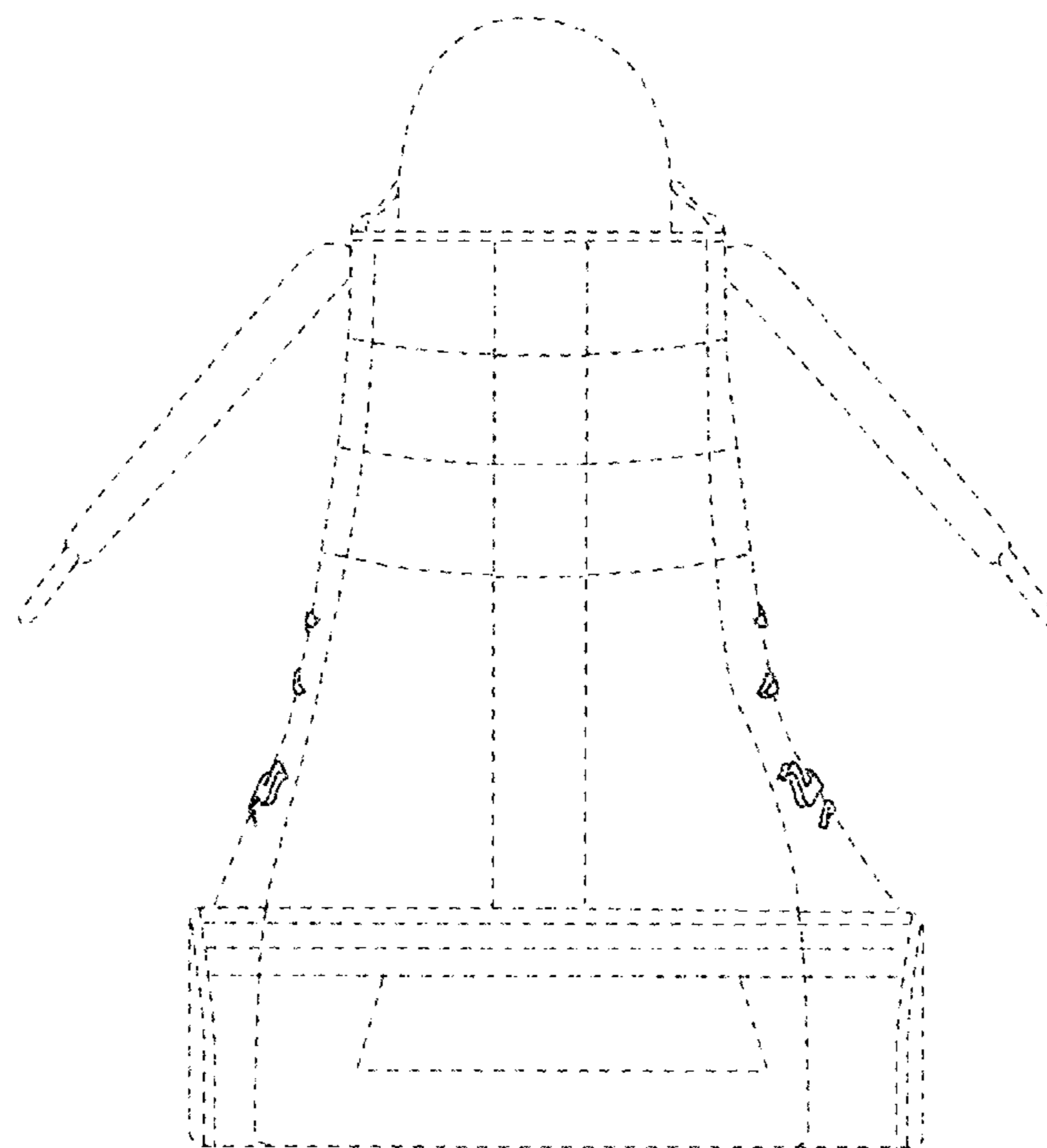


FIG. 3



FIG. 4



FIG. 5

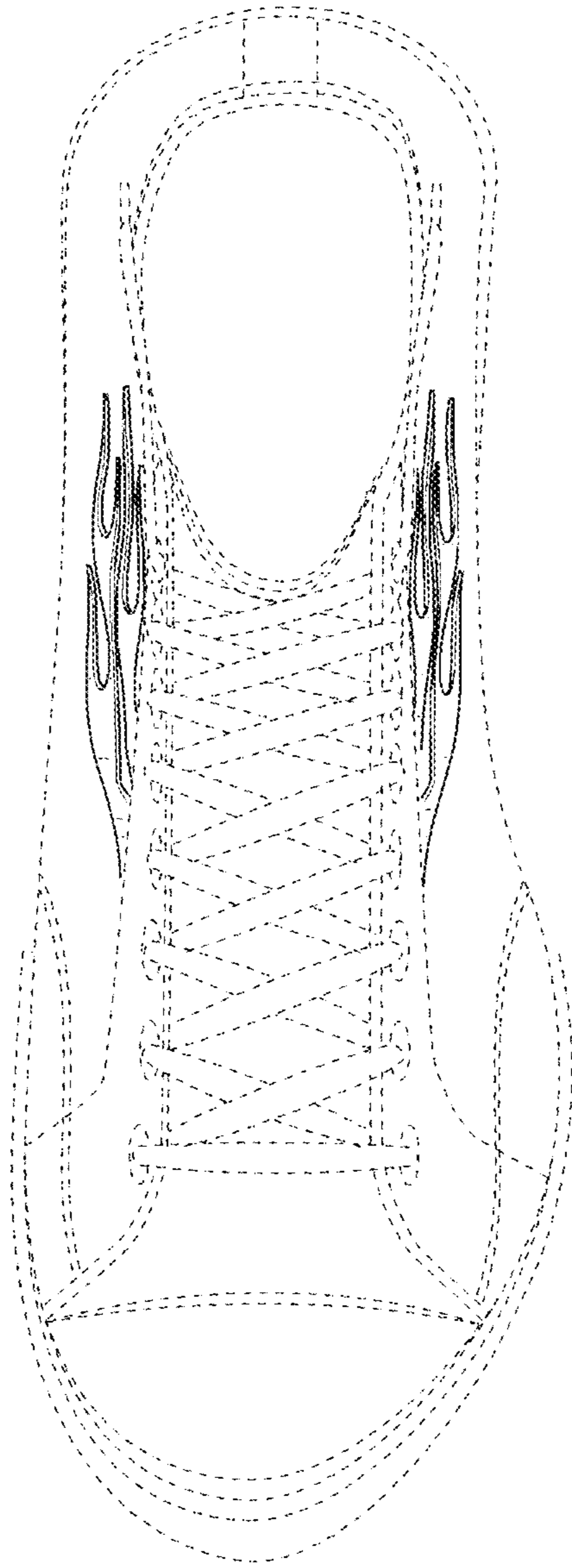


FIG. 6



FIG. 7

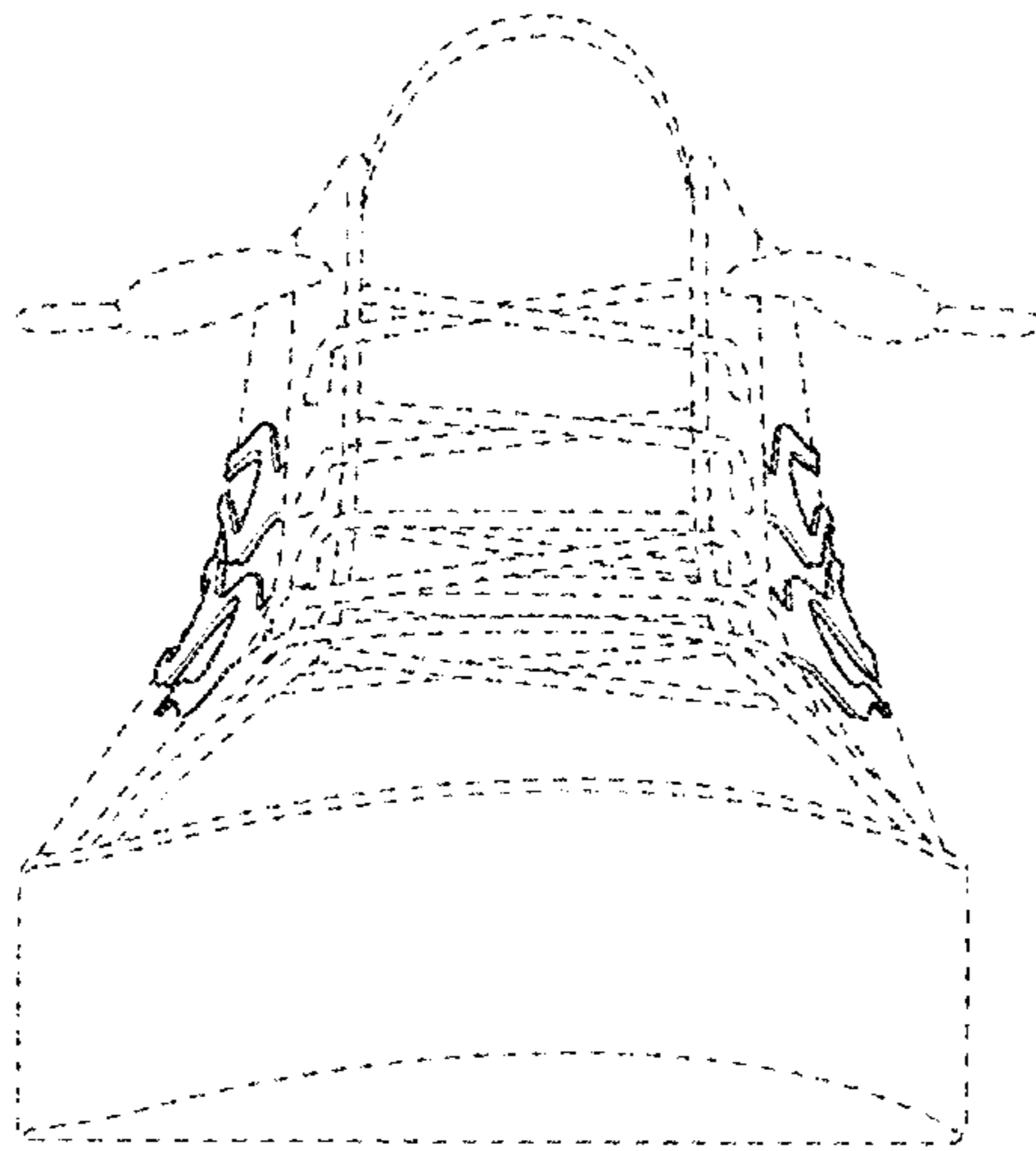


FIG. 8

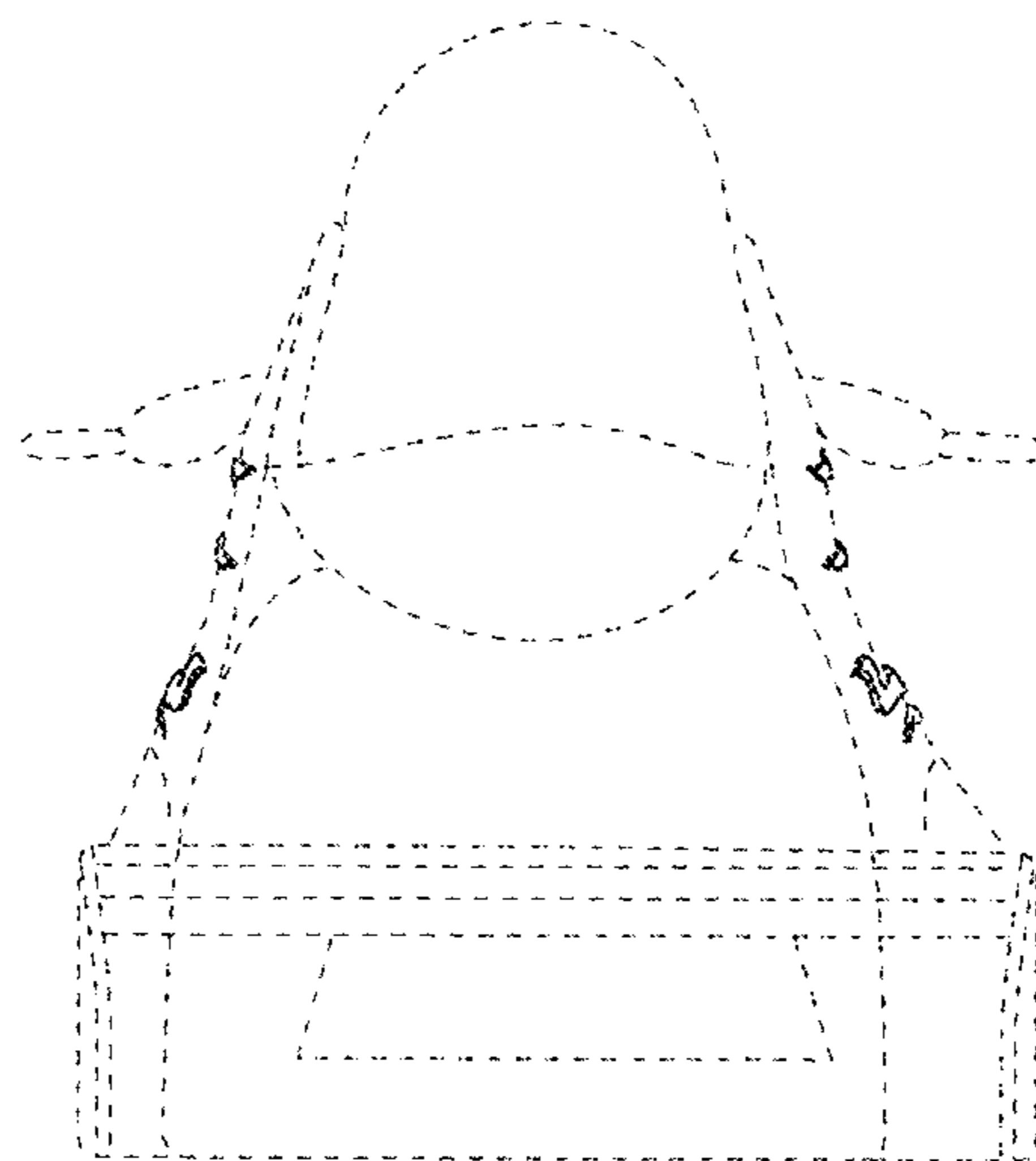


FIG. 9





FIG. 10

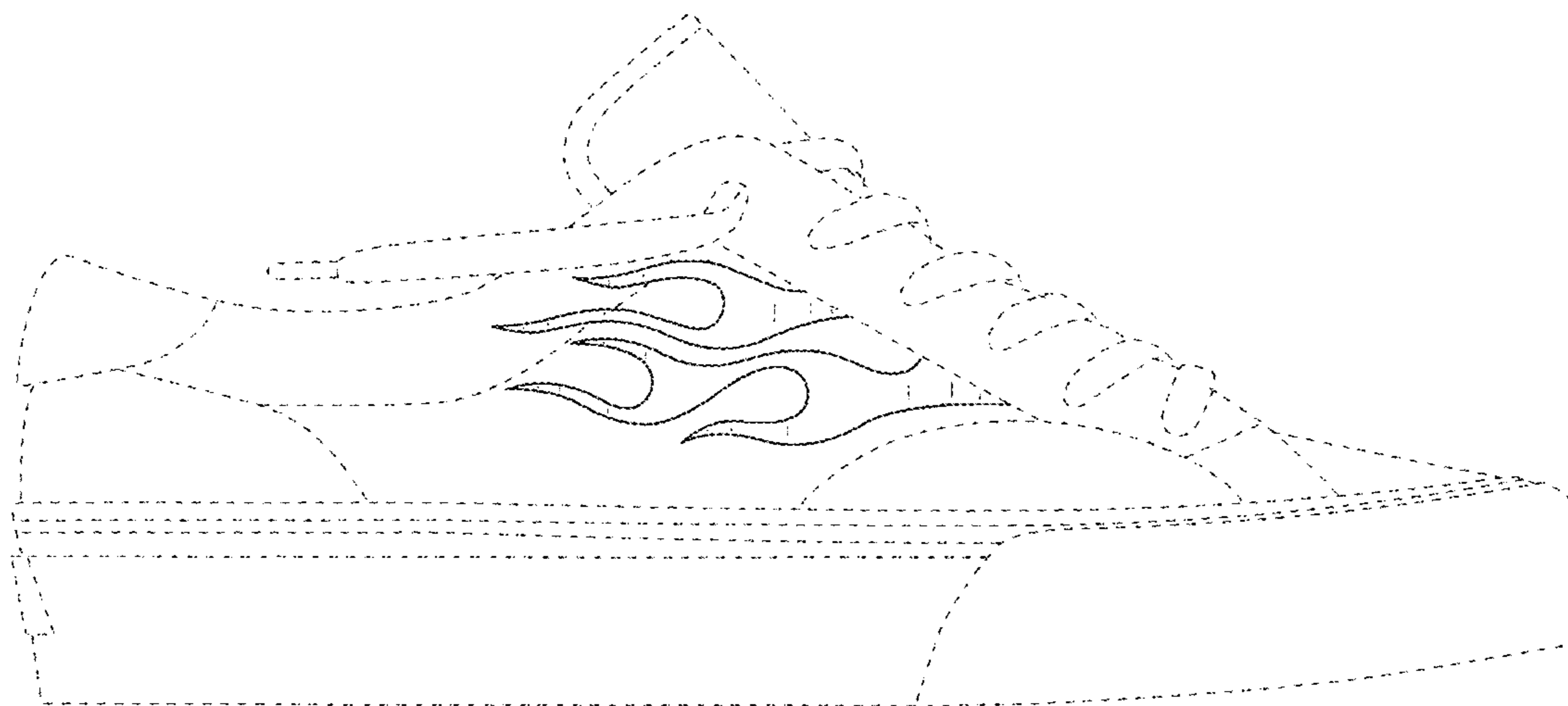


FIG. 11

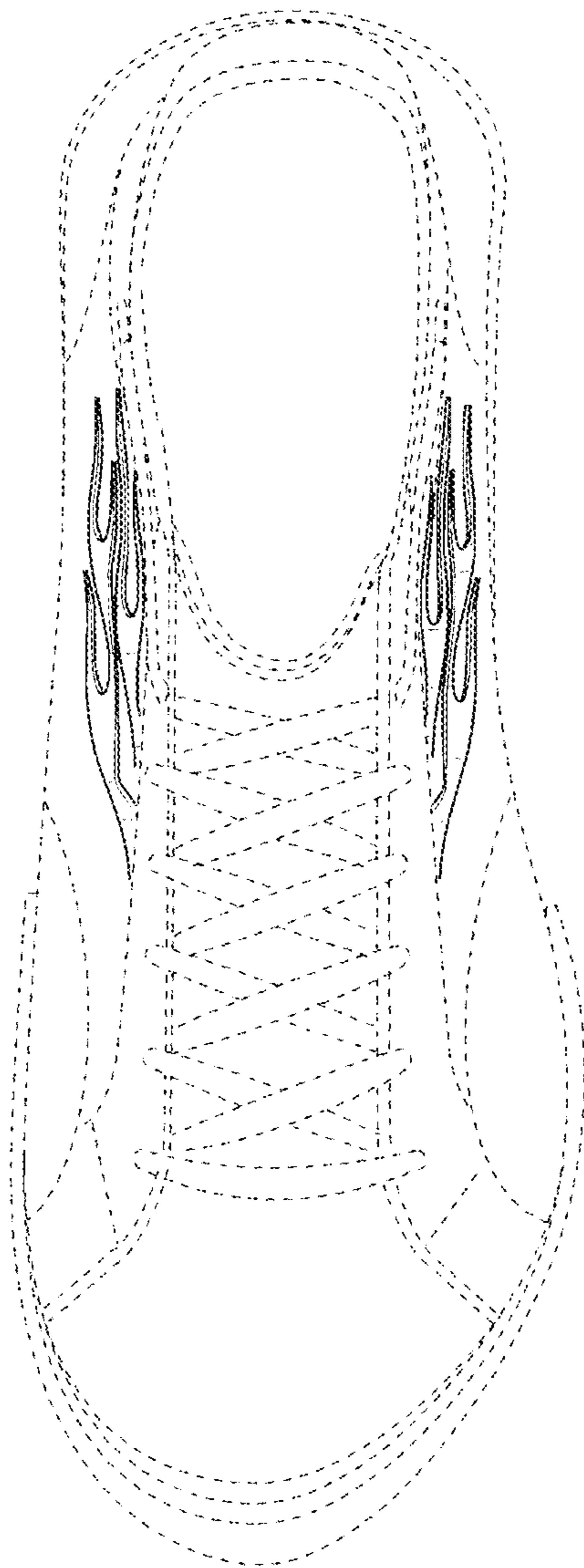


FIG. 12