



US00D911002S

(12) **United States Design Patent** (10) **Patent No.:** **US D911,002 S**
Marvin et al. (45) **Date of Patent:** **** Feb. 23, 2021**

(54) **SHOE**

(71) Applicant: **Reebok International Limited**, London (GB)

(72) Inventors: **William Marvin**, Canton, MA (US);
Brian Christensen, Centerville, MA (US)

(73) Assignee: **Reebok International Limited**, London (GB)

(**) Term: **15 Years**

(21) Appl. No.: **29/696,272**

(22) Filed: **Jun. 26, 2019**

Related U.S. Application Data

(60) Continuation of application No. 29/582,137, filed on Oct. 25, 2016, now Pat. No. Des. 854,800, which is a continuation of application No. 29/532,592, filed on Jul. 8, 2015, now Pat. No. Des. 770,153, which is a division of application No. 29/450,820, filed on Mar. 22, 2013, now Pat. No. Des. 734,008.

(51) **LOC (13) Cl.** **02-04**

(52) **U.S. Cl.**
USPC **D2/957**; D2/947; D2/951; D2/959;
D2/960

(58) **Field of Classification Search**

USPC D2/902, 906, 908, 916, 918, 925,
D2/946-962, 977; 36/3 B, 22 R, 24.5,
36/25 R, 28, 32 R, 34 R, 59 C, 67 A, 103
CPC A43B 13/00; A43B 13/02; A43B 13/023;
A43B 13/026; A43B 13/04; A43B 13/08;
A43B 13/10; A43B 13/12; A43B 13/14;
A43B 13/141; A43B 13/143; A43B
13/16; A43B 13/18; A43B 13/181; A43B
13/187; A43B 13/189; A43B 13/20; A43B
13/22; A43B 13/223; A43B 13/224; A43B
13/28; A43B 13/30; A43B 13/32; A43B
13/34; A43B 13/36

See application file for complete search history.

(56) **References Cited**

U.S. PATENT DOCUMENTS

D236,563 S 9/1975 Wunsch
D281,642 S 12/1985 Fuzita
D288,027 S 2/1987 Tonkel
5,901,467 A 5/1999 Peterson et al.
D474,586 S 5/2003 Recchi
D520,220 S 5/2006 Morgan et al.
D521,715 S 5/2006 Lotti
D547,037 S 7/2007 Nakano
D552,837 S 10/2007 Scott
D580,141 S 11/2008 Banik et al.

(Continued)

FOREIGN PATENT DOCUMENTS

JP 3045628 U 11/1997
JP 2003-516781 A 5/2003

Primary Examiner — T Chase Nelson

(74) *Attorney, Agent, or Firm* — Sterne, Kessler,
Goldstein & Fox, P.L.L.C.

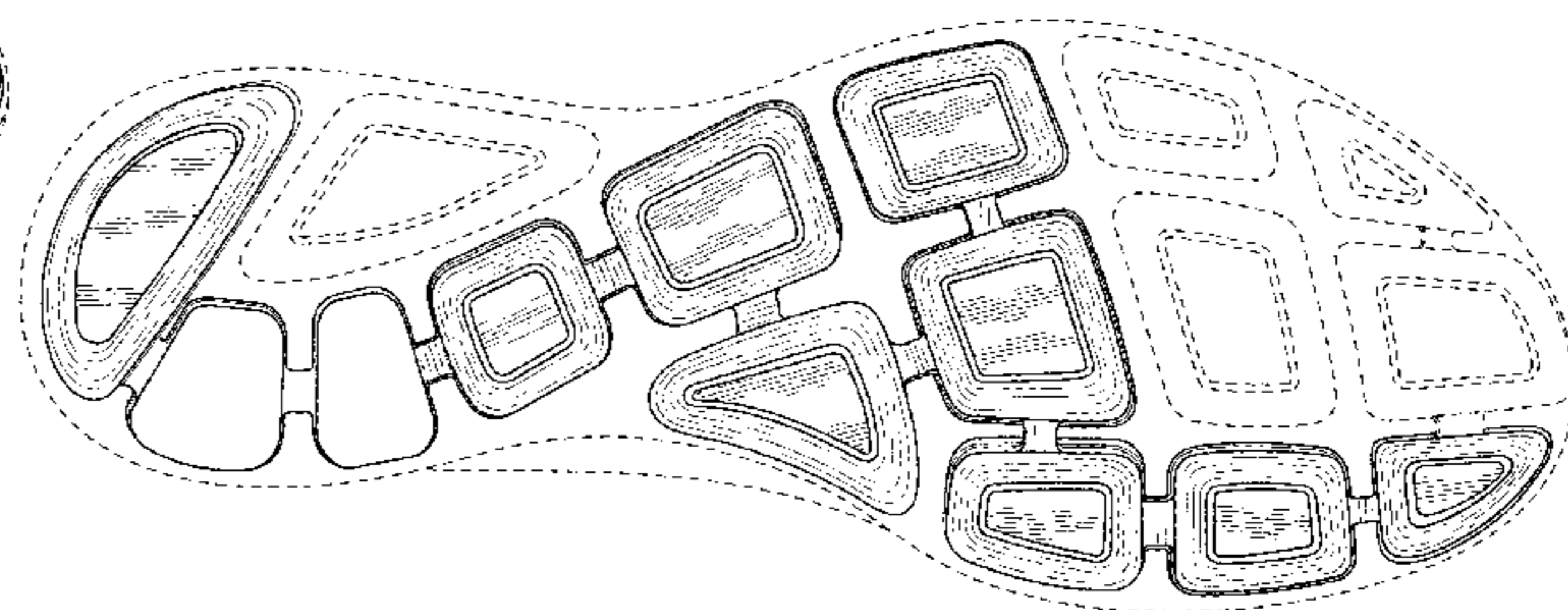
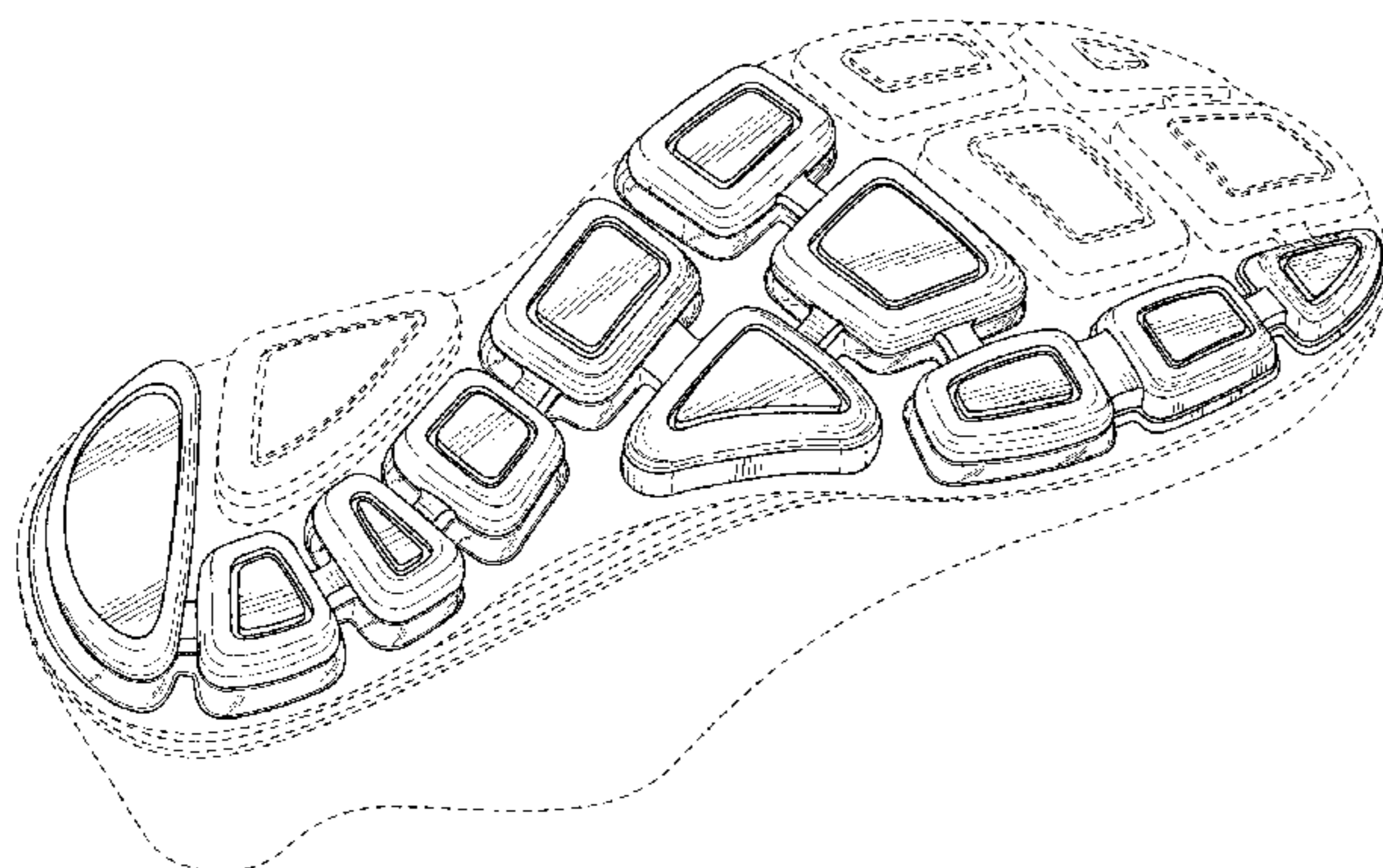
(57) **CLAIM**

The ornamental design for a shoe, as shown and described.

DESCRIPTION

FIG. 1 is a bottom rear perspective view of a shoe showing the claimed design;
FIG. 2 is another bottom rear perspective view thereof;
FIG. 3 is a right side view thereof;
FIG. 4 is a left side view thereof;
FIG. 5 is a bottom view thereof;
FIG. 6 is a front view thereof; and,
FIG. 7 is a rear view thereof.
The broken lines in the figures show portions of the shoe form no part of the claimed design.

1 Claim, 6 Drawing Sheets



(56)

References Cited

U.S. PATENT DOCUMENTS

D594,195 S	6/2009	Nakano	D788,421 S	6/2017	Gibson
D601,334 S	10/2009	Werman	9,717,303 B2	8/2017	Walker et al.
D602,237 S	10/2009	Roundhouse	D796,167 S	9/2017	Bates et al.
D607,193 S	1/2010	Recchi	9,879,133 B2	1/2018	Baghdadi
7,762,008 B1	7/2010	Clark et al.	10,178,891 B2 *	1/2019	Christensen A43B 3/0057
D624,293 S	9/2010	Recchi et al.	10,226,099 B2 *	3/2019	Bischoff B29D 35/0054
D626,320 S	11/2010	Anderson	10,321,735 B2 *	6/2019	Connell A43B 13/20
D630,420 S	1/2011	Truelsen	D854,800 S *	7/2019	Marvin D2/957
7,941,938 B2	5/2011	Yu et al.	D859,800 S *	9/2019	Marvin D2/957
D642,362 S	8/2011	Miner	D861,310 S *	10/2019	Weeks A43B 13/20
8,082,684 B2	12/2011	Munns			D2/957
8,099,880 B2	1/2012	Brewer et al.	D862,060 S *	10/2019	Weeks D2/957
D653,437 S	2/2012	Mongelli	D883,632 S *	5/2020	Roulo B29D 35/0054
D659,967 S	5/2012	Miner			D2/957
8,181,365 B2	5/2012	Cass et al.	D891,063 S *	7/2020	Shi A43B 3/0057
D672,543 S	12/2012	Williams, Jr.			D2/957
D675,002 S	1/2013	Marvin et al.	D894,569 S *	9/2020	de Montgolfier A43B 13/122
D681,319 S	5/2013	Schwartz			D2/957
D683,117 S	5/2013	Truelsen	2005/0262739 A1	12/2005	McDonald et al.
D685,566 S	7/2013	Pope	2008/0022553 A1	1/2008	McDonald et al.
D703,931 S	5/2014	Bikowski	2008/0244926 A1	10/2008	Yu et al.
D707,433 S	6/2014	Grott et al.	2008/0289221 A1	11/2008	Munns
8,752,307 B2	6/2014	Cooper et al.	2010/0005684 A1	1/2010	Nishiwaki et al.
D708,430 S	7/2014	Weeks	2010/0170106 A1	7/2010	Brewer et al.
8,863,407 B2	10/2014	Nishiwaki et al.	2010/0180474 A1	7/2010	Clark et al.
D717,527 S	11/2014	Truelsen	2011/0078922 A1	4/2011	Cavaliere et al.
8,938,889 B2	1/2015	Rosa et al.	2011/0154688 A1	6/2011	Yu et al.
D724,297 S	3/2015	Oliver	2011/0185590 A1	8/2011	Nishiwaki et al.
D725,359 S	3/2015	Miner	2011/0197469 A1	8/2011	Nishiwaki et al.
D725,881 S	4/2015	Weeks	2011/0214313 A1	9/2011	James et al.
D734,008 S	7/2015	Marvin et al.	2012/0073160 A1	3/2012	Marvin et al.
D734,930 S	7/2015	Bikowski	2012/0222332 A1	9/2012	Greene et al.
D736,509 S	8/2015	Bikowski	2013/0212909 A1	8/2013	Bates et al.
D738,079 S	9/2015	Bates et al.	2014/0013617 A1	1/2014	Montross et al.
9,155,353 B2	10/2015	James et al.	2014/0283413 A1	9/2014	Christensen et al.
D742,106 S	11/2015	Taestensen	2014/0310991 A1	10/2014	Greene et al.
D746,561 S	1/2016	Bikowski	2014/0360052 A1	12/2014	Keating et al.
D770,152 S	11/2016	Fogg	2015/0135558 A1	5/2015	Inomata et al.
D770,153 S	11/2016	Marvin et al.	2016/0219972 A1	8/2016	Davies
D773,163 S	12/2016	Raasch	2016/0295968 A1	10/2016	Campos, II et al.
D776,903 S	1/2017	Howe et al.	2017/0020228 A1	1/2017	Scotfield et al.
D779,176 S	2/2017	Young	2017/0245587 A1	8/2017	Bates et al.
D781,040 S	3/2017	Scotfield	2017/0265565 A1	9/2017	Connell et al.
D783,966 S	4/2017	Raasch	2017/0273401 A1	9/2017	Hatfield et al.
D786,544 S	5/2017	Marvin	2018/0055144 A1	3/2018	Bischoff
			2019/0090585 A1 *	3/2019	Loveder A43B 13/122

* cited by examiner

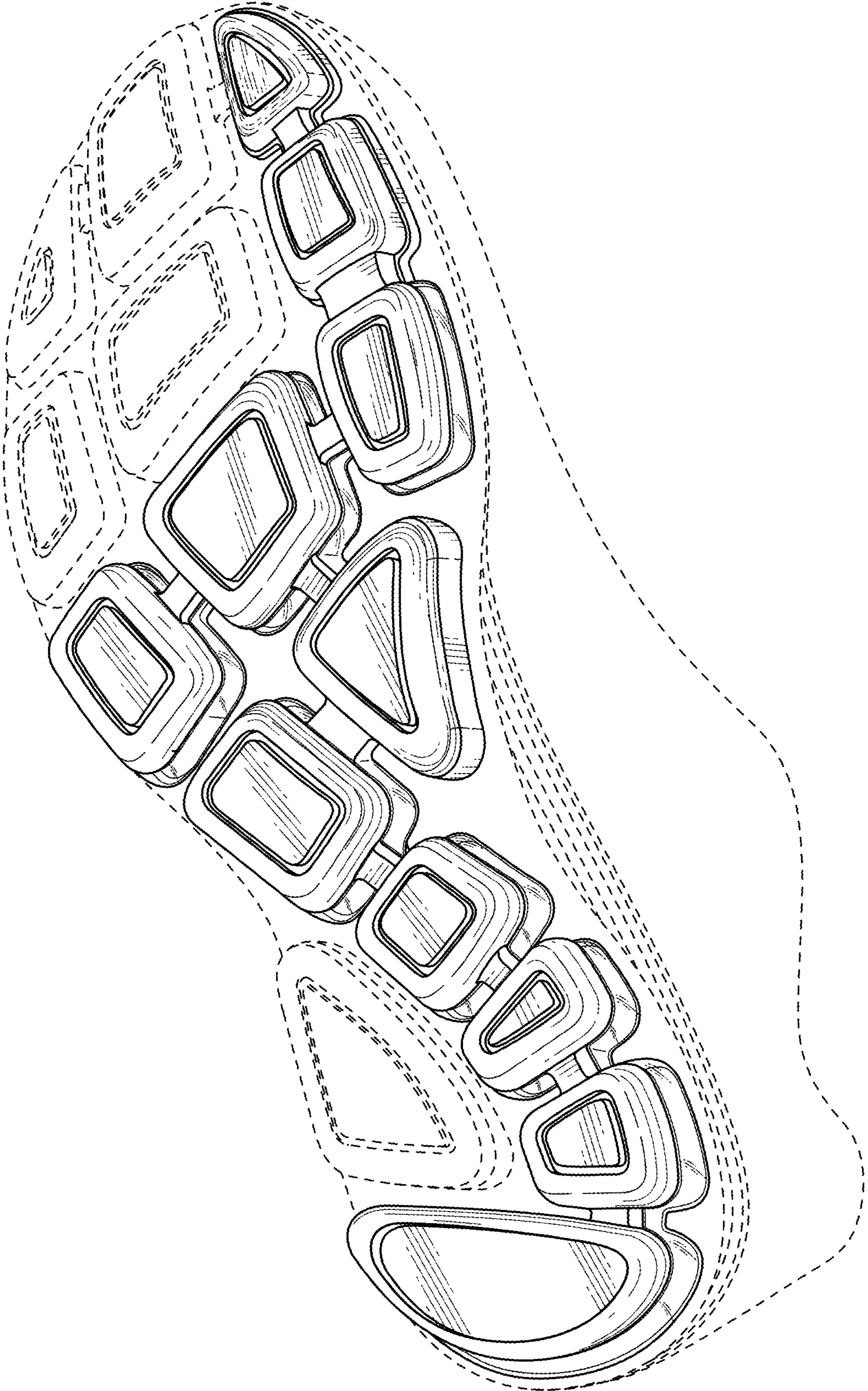


FIG. 1

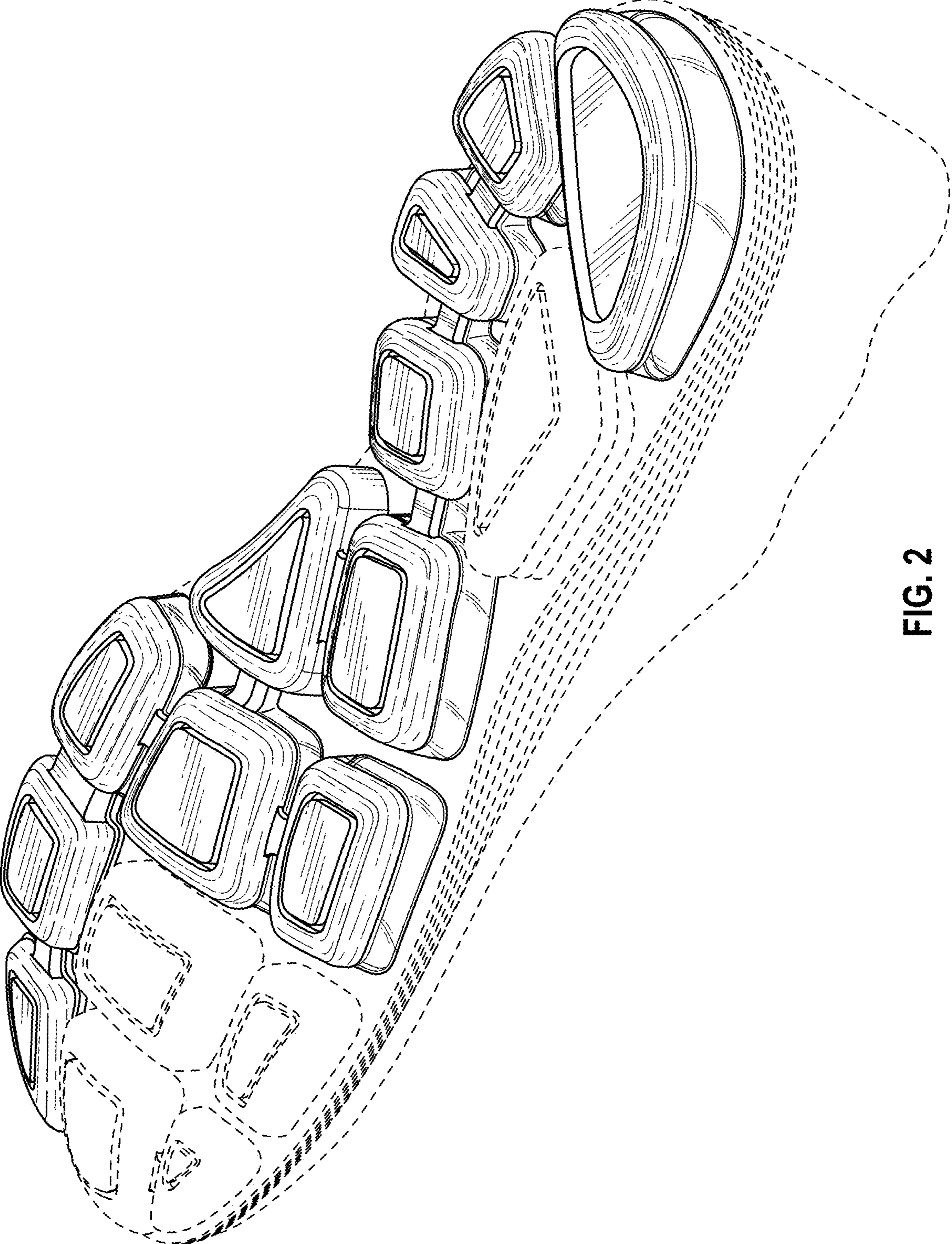


FIG. 2

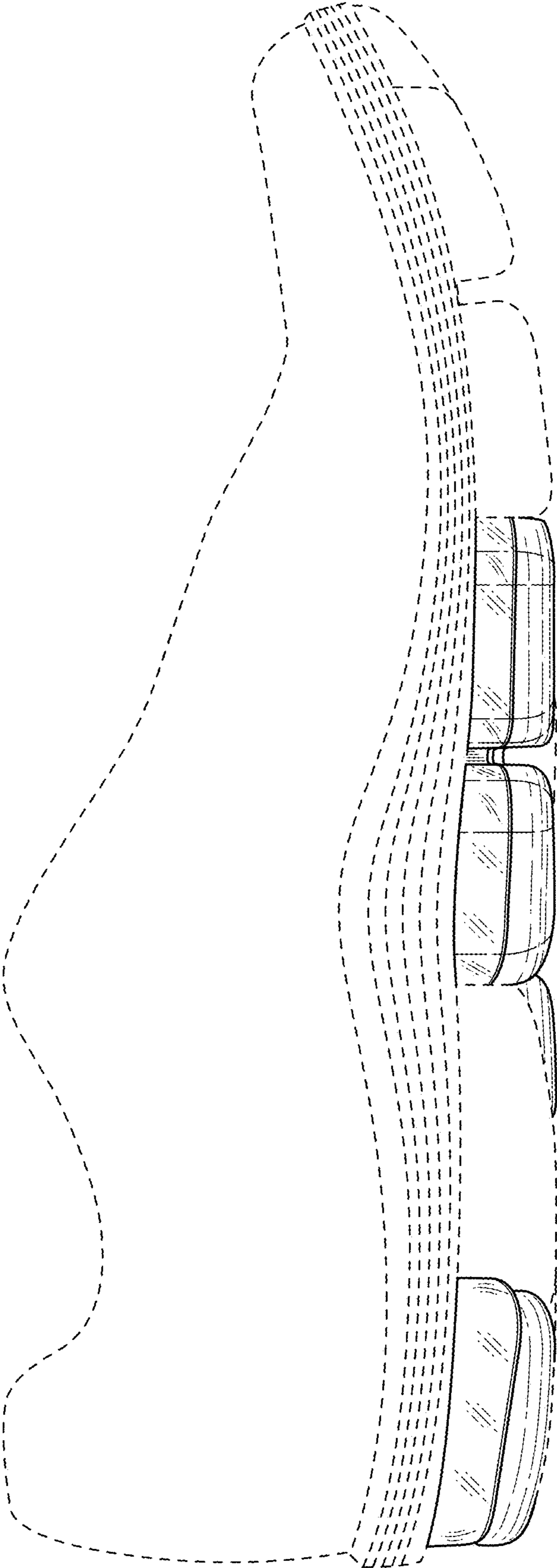


FIG. 3

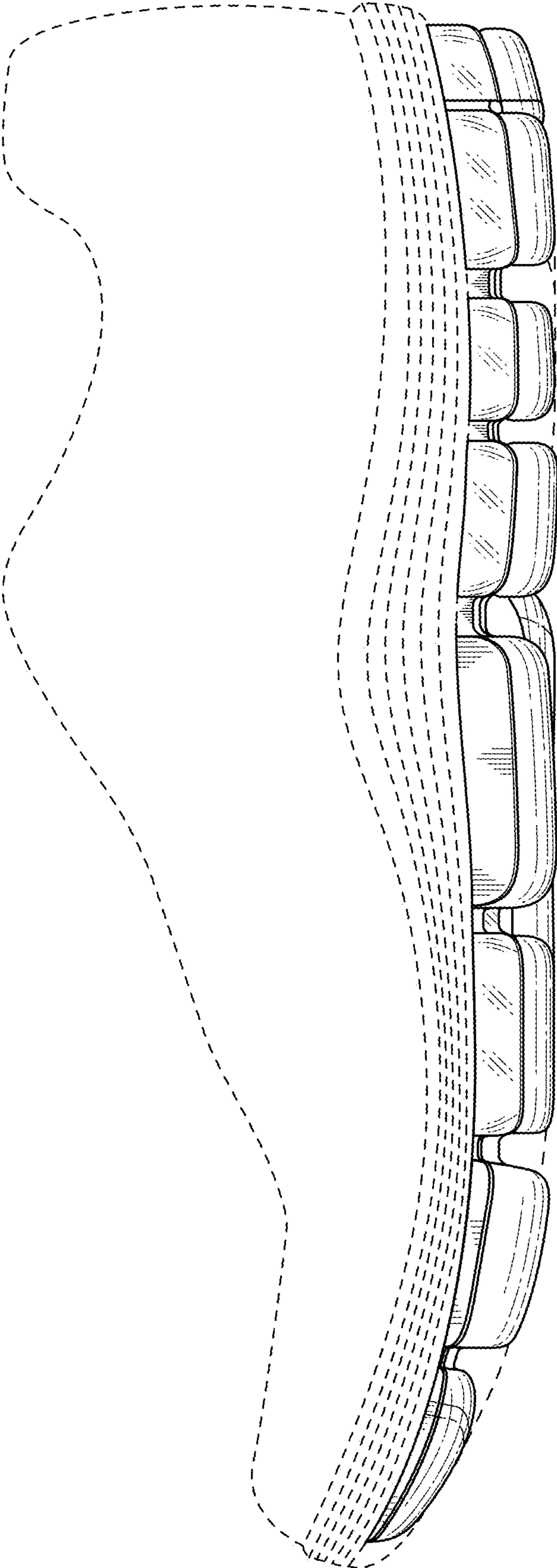


FIG. 4

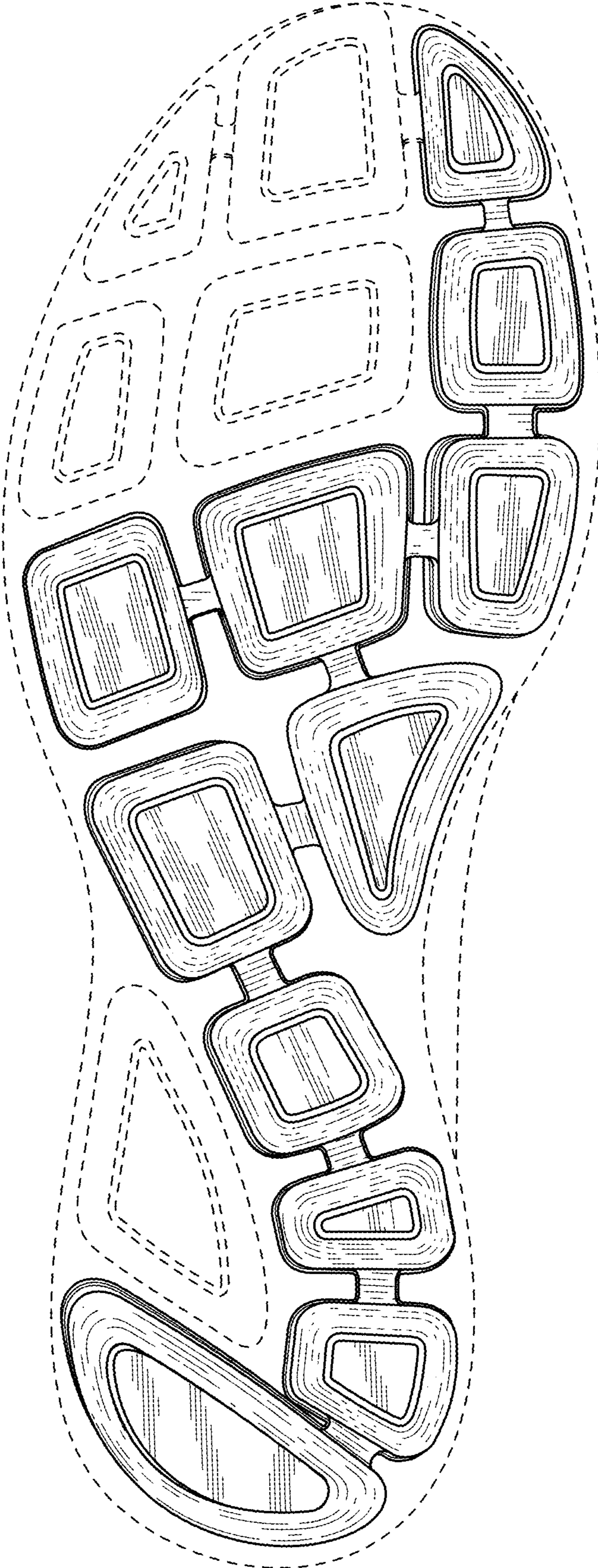


FIG. 5

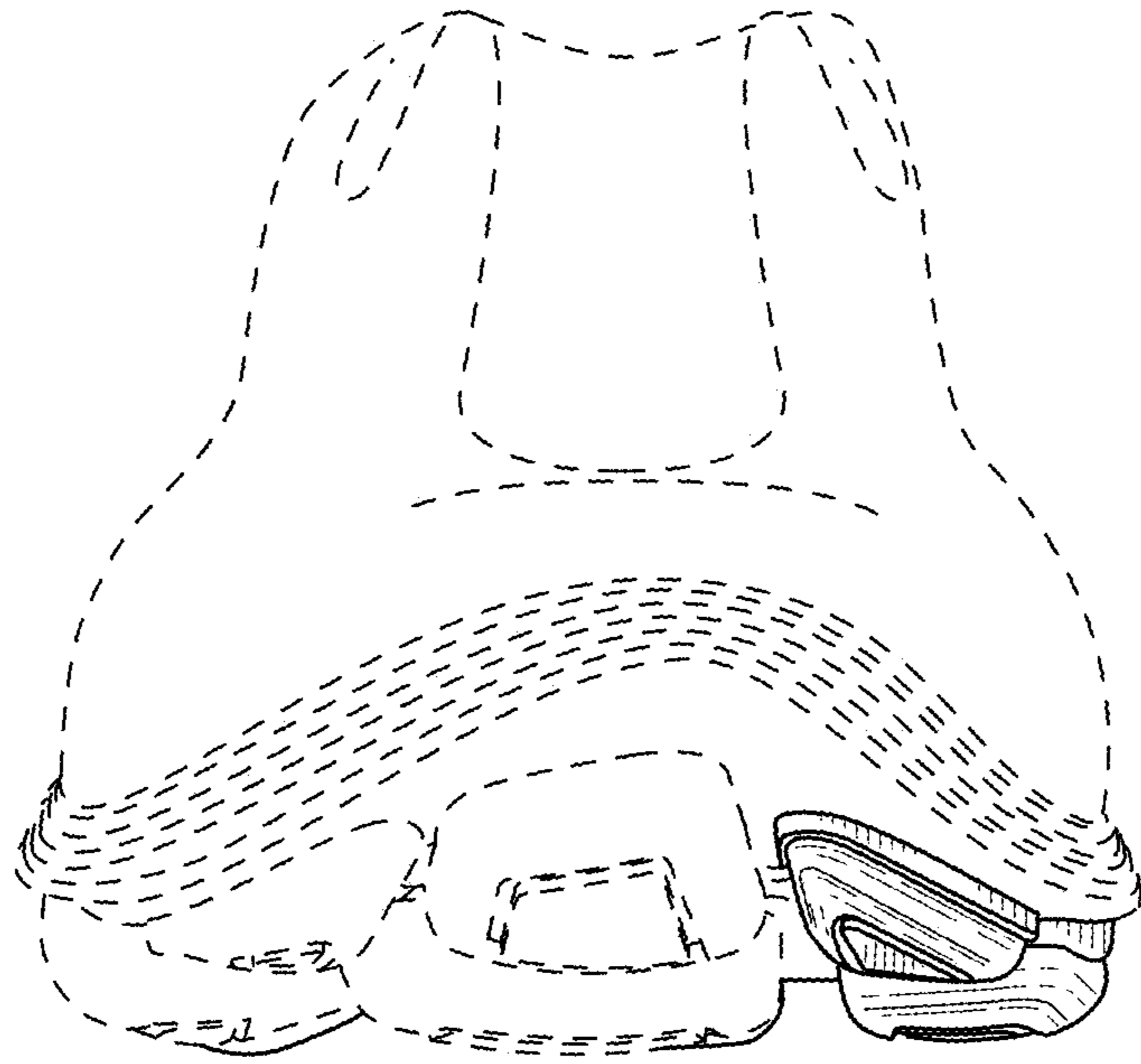


FIG. 6

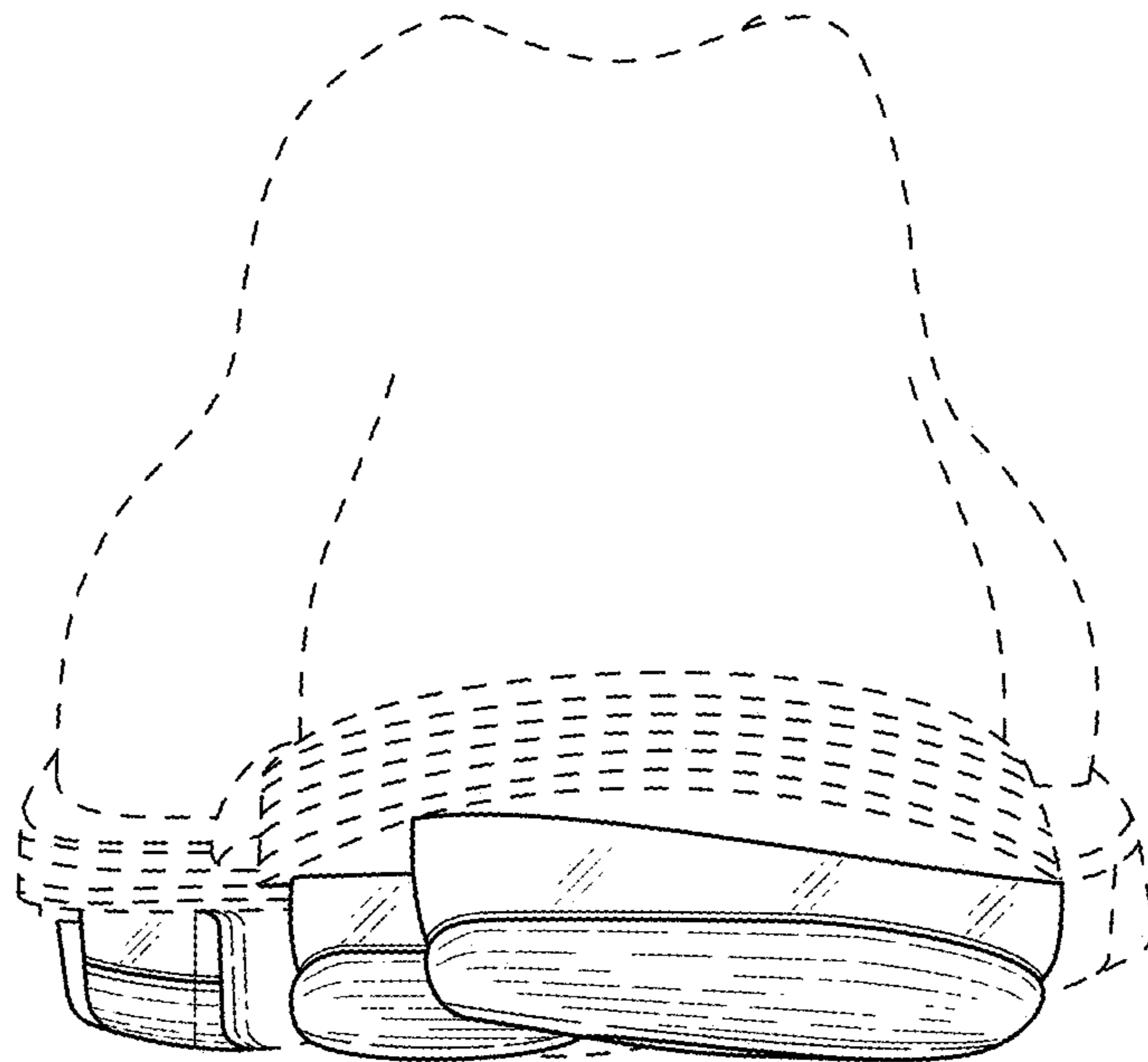


FIG. 7