



US00D910986S

(12) **United States Design Patent**  
**Durflinger**

(10) **Patent No.:** **US D910,986 S**

(45) **Date of Patent:** **\*\* Feb. 23, 2021**

- (54) **SHOE**
- (71) Applicant: **NIKE, Inc.**, Beaverton, OR (US)
- (72) Inventor: **Nate Durflinger**, Portland, OR (US)
- (73) Assignee: **NIKE, Inc.**, Beaverton, OR (US)
- (\*\*) Term: **15 Years**
- (21) Appl. No.: **29/731,199**
- (22) Filed: **Apr. 13, 2020**
- (51) **LOC (13) Cl.** ..... **02-04**
- (52) **U.S. Cl.**  
USPC ..... **D2/947**; D2/953
- (58) **Field of Classification Search**  
USPC ..... D2/902, 906, 908, 916, 918, 925,  
D2/946-962, 977; 36/3 B, 22 R, 24.5,  
36/25 R, 28, 32 R, 34 R, 59 C, 67 A, 103  
CPC ..... A43B 13/00; A43B 13/02; A43B 13/023;  
A43B 13/026; A43B 13/04; A43B 13/08;  
A43B 13/10; A43B 13/12; A43B 13/14;  
A43B 13/141; A43B 13/143; A43B  
13/16; A43B 13/18; A43B 13/181; A43B  
13/187; A43B 13/189; A43B 13/20; A43B  
13/22; A43B 13/223; A43B 13/24; A43B  
13/28; A43B 13/30; A43B 13/32; A43B  
13/34; A43B 13/36  
See application file for complete search history.

- D407,540 S 4/1999 Dolinsky
- D424,284 S \* 5/2000 von Conta ..... D2/947
- D458,741 S \* 6/2002 Rogers ..... D2/902
- D676,635 S 2/2013 Bosomworth
- D786,545 S 5/2017 Link
- D790,173 S \* 6/2017 Raasch ..... D2/947
- D808,629 S \* 1/2018 Parrett ..... D2/972
- D817,611 S 5/2018 Small
- D817,612 S 5/2018 Small
- D822,349 S \* 7/2018 Petrenka ..... D2/947
- D841,297 S \* 2/2019 Small ..... D2/947
- D841,298 S 2/2019 Small
- D851,877 S 6/2019 Small

(Continued)

**OTHER PUBLICATIONS**

Nike Footwear Catalog, 1993 Spring Footwear, p. 8, published Mar. 1993, Nike, Inc., USA.

(Continued)

*Primary Examiner* — T Chase Nelson  
(74) *Attorney, Agent, or Firm* — Banner & Witcoff, Ltd.

(57) **CLAIM**

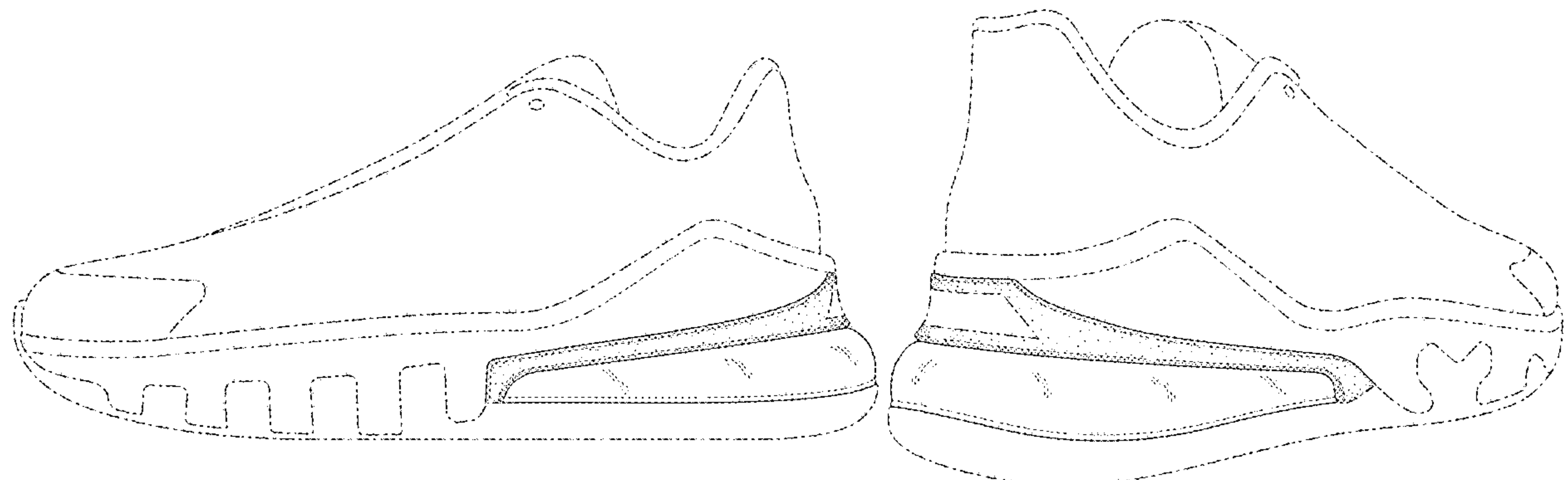
The ornamental design for a shoe, as shown and described.

**DESCRIPTION**

FIG. 1 is a side view of a shoe showing my new design;  
FIG. 2 is a rear perspective view thereof;  
FIG. 3 is a rear view thereof;  
FIG. 4 is an opposite side rear perspective view thereof; and,  
FIG. 5 is an opposite side view thereof.  
The broken lines immediately adjacent to the front-most lower ends of the shaded areas define the bounds of the claimed design and form no part thereof. The broken line trapezoid at the heel and the unshaded region therein form no part of the claimed design. The broken lines depicting the remainder of the shoe form no part of the claimed design.

**1 Claim, 5 Drawing Sheets**

- (56) **References Cited**  
U.S. PATENT DOCUMENTS  
D268,543 S \* 4/1983 Bretschneider ..... D2/953  
D297,181 S 8/1988 Selbiger et al.  
D297,587 S 9/1988 Selbiger et al.  
D319,720 S 9/1991 Selbiger  
D324,131 S 2/1992 Lucas  
D332,861 S 2/1993 Worthington  
D333,551 S 3/1993 Bailey



(56)

References Cited

U.S. PATENT DOCUMENTS

D869,832 S 6/2019 Pauk  
 D856,648 S \* 8/2019 Small ..... D2/947  
 D856,649 S \* 8/2019 Small ..... D2/947  
 D858,054 S 9/2019 McMillan  
 D858,962 S 9/2019 Small et al.  
 D860,598 S 9/2019 Small et al.  
 D860,599 S 9/2019 Small et al.  
 D860,600 S \* 9/2019 Small ..... D2/947  
 D860,601 S 9/2019 Small et al.  
 D860,602 S 9/2019 Small et al.  
 D860,603 S 9/2019 Small et al.  
 D860,604 S 9/2019 Small et al.  
 D860,605 S 9/2019 Small et al.  
 D860,606 S 9/2019 Small et al.  
 D860,607 S 9/2019 Small et al.  
 D860,608 S 9/2019 Small et al.  
 D860,609 S 9/2019 Small et al.  
 D860,610 S 9/2019 Small et al.  
 D860,611 S 9/2019 Small et al.  
 D860,612 S 9/2019 Shyllon  
 D862,057 S 10/2019 Small et al.  
 D869,131 S 12/2019 Raasch  
 D874,800 S \* 2/2020 Sassi ..... D2/944  
 D879,423 S 3/2020 Engel et al.  
 D879,425 S 3/2020 Raasch  
 D882,909 S \* 5/2020 Small ..... D2/902  
 D891,054 S 7/2020 Dance  
 D893,144 S \* 8/2020 Sfredda ..... A43B 3/248  
 D894,552 S \* 9/2020 Gerig ..... D2/947  
 D894,554 S \* 9/2020 Gerig ..... D2/947  
 D897,090 S \* 9/2020 Small ..... D2/972  
 D900,437 S \* 11/2020 Mazza ..... D2/908  
 D900,443 S \* 11/2020 Jury ..... A43B 13/12  
 D901,855 S \* 11/2020 Cruz ..... D2/947  
 2017/0347747 A1 \* 12/2017 Groeneweg ..... A43B 13/12  
 2018/0110287 A1 \* 4/2018 Hopkins ..... A43B 3/248

OTHER PUBLICATIONS

Nike Footwear Catalog, 1993 Spring Footwear, p. 114, published Mar. 1993, Nike, Inc., USA.

Nike Footwear Catalog, 1993 Fall Footwear, p. 22, published Dec. 1992, Nike, Inc., USA.  
 Nike Footwear Catalog, 1993 Fall Footwear, p. 34, published Dec. 1992, Nike, Inc., USA.  
 Nike Footwear Catalog, 2001 Spring Men's and Women's Footwear 2, p. W20, published Nov. 2000, Nike, Inc., USA.  
 Nike Footwear Catalog, 2010 Spring Urban Better Footwear, p. 17, published Feb. 2010, Nike, Inc., USA.  
 Nike Footwear Catalog, 2011 Spring Men's FootwearSportswear, p. 5, published May 2010, Nike, Inc., USA.  
 Nike Footwear Catalog, 2011 Spring Women's Training Footwear, p. 26, published Nov. 2010, Nike, Inc., USA.  
 Nike Footwear Catalog, 2011 Fall Young Athletes Footwear, p. 24, published Feb. 2010, Nike, Inc., USA.  
 Nike Footwear Catalog, 2012 Fall Women's Footwear Sportswear Best, p. 6, published Nov. 2010, Nike, Inc., USA.  
 Nike Footwear Catalog, 2012 Fall Jordan Footwear, p. 97, published Nov. 2010, Nike, Inc., USA.  
 Nike Footwear Catalog, 2019 Spring Men's Training, p. 77, published date unknown, but prior to the filing date of the present application, Nike, Inc., USA.  
 Nike Footwear Catalog, 2018 Holiday Young Athletes, p. 126, published May 2016, Nike, Inc., USA.  
 Nike Footwear Catalog, 2018 Holiday Sportswear, p. 161, published May 2016, Nike, Inc., USA.  
 Nike Footwear Catalog, 2017 Spring Territory Sporting Goods Footwear Best NA, p. 160, published May 2016, Nike, Inc., USA.  
 Nike Footwear Catalog, 2017 Spring Jordan Footwear NA, p. 32, published May 2016, Nike, Inc., USA.  
 Nike Footwear Catalog, 2012 Fall Men's Footwear Sportswear Best, p. 21, published Nov. 2010, Nike, Inc., USA.  
 Nike Footwear Catalog, 2012 Fall Women's Performance Footwear, p. 40, published Nov. 2010, Nike, Inc., USA.  
 Nike Footwear Catalog, 2012 Fall Young Athletes Footwear , p. 6, published Nov. 2010, Nike, Inc., USA.  
 Nike Footwear Catalog, 2014 Spring Men's Nike Sportswear Footwear Best, p. 50, published Nov. 1, 2013 , Nike, Inc., USA.  
 "The Nike Air Max 270 React Gets Kissed With Crimson Tint"; Sneaker News; retrieved Apr. 6, 2020; published Apr. 5, 2020; URL: <<https://sneakernews.com/2020/04/05/nike-air-max-270-react-grey-crimson-tint-cj0619-103/>>.

\* cited by examiner

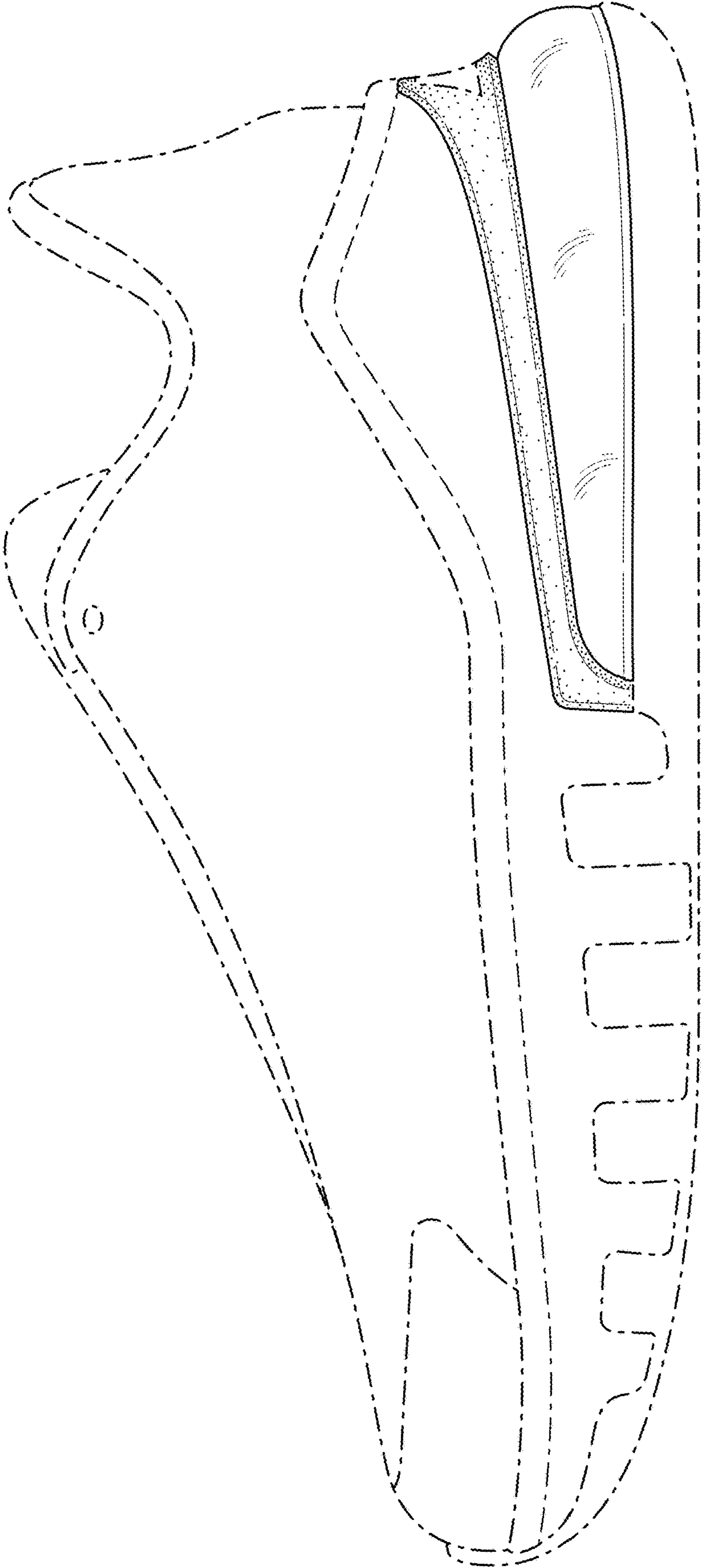


FIG. 1



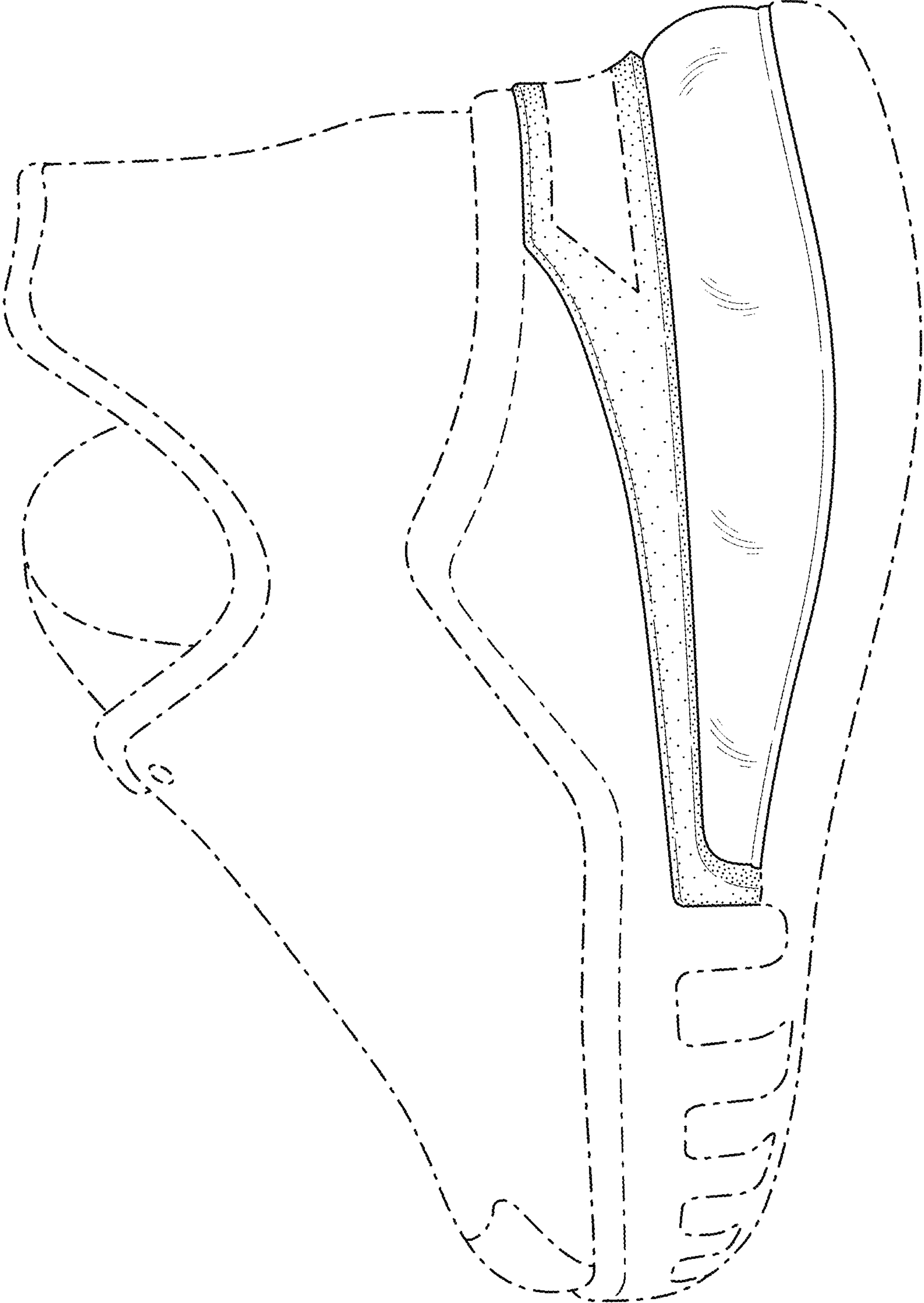


FIG. 2

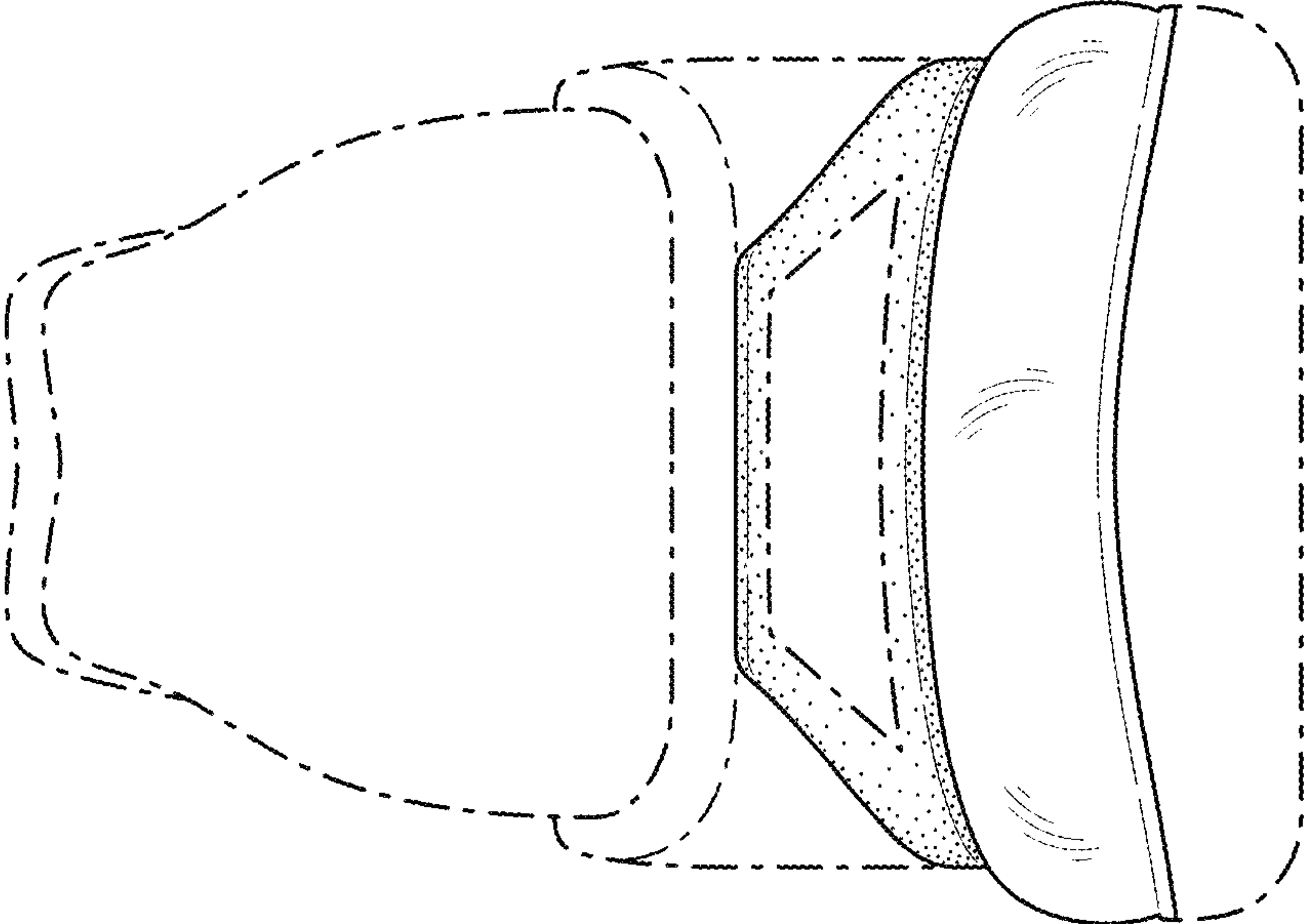


FIG. 3

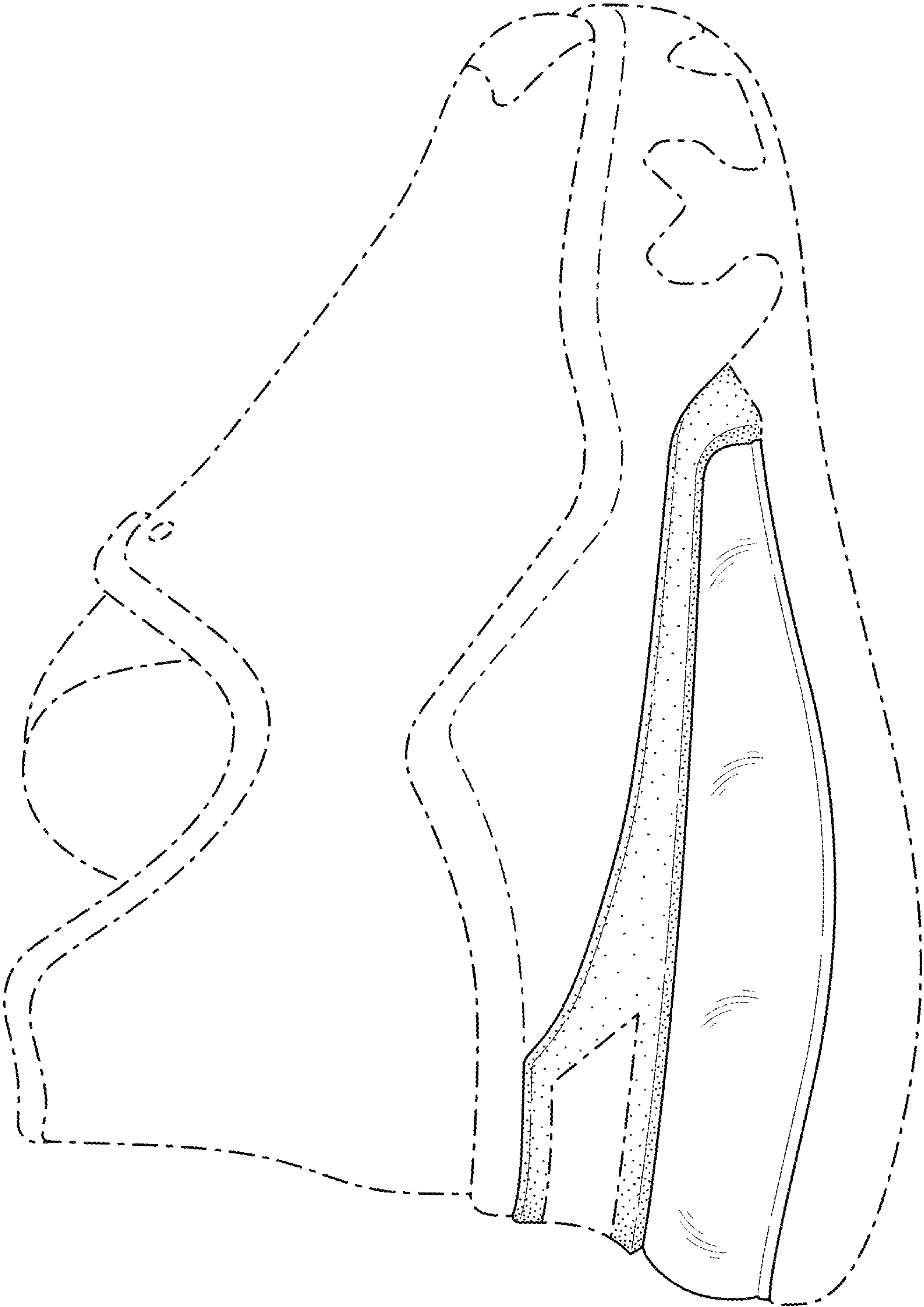


FIG. 4

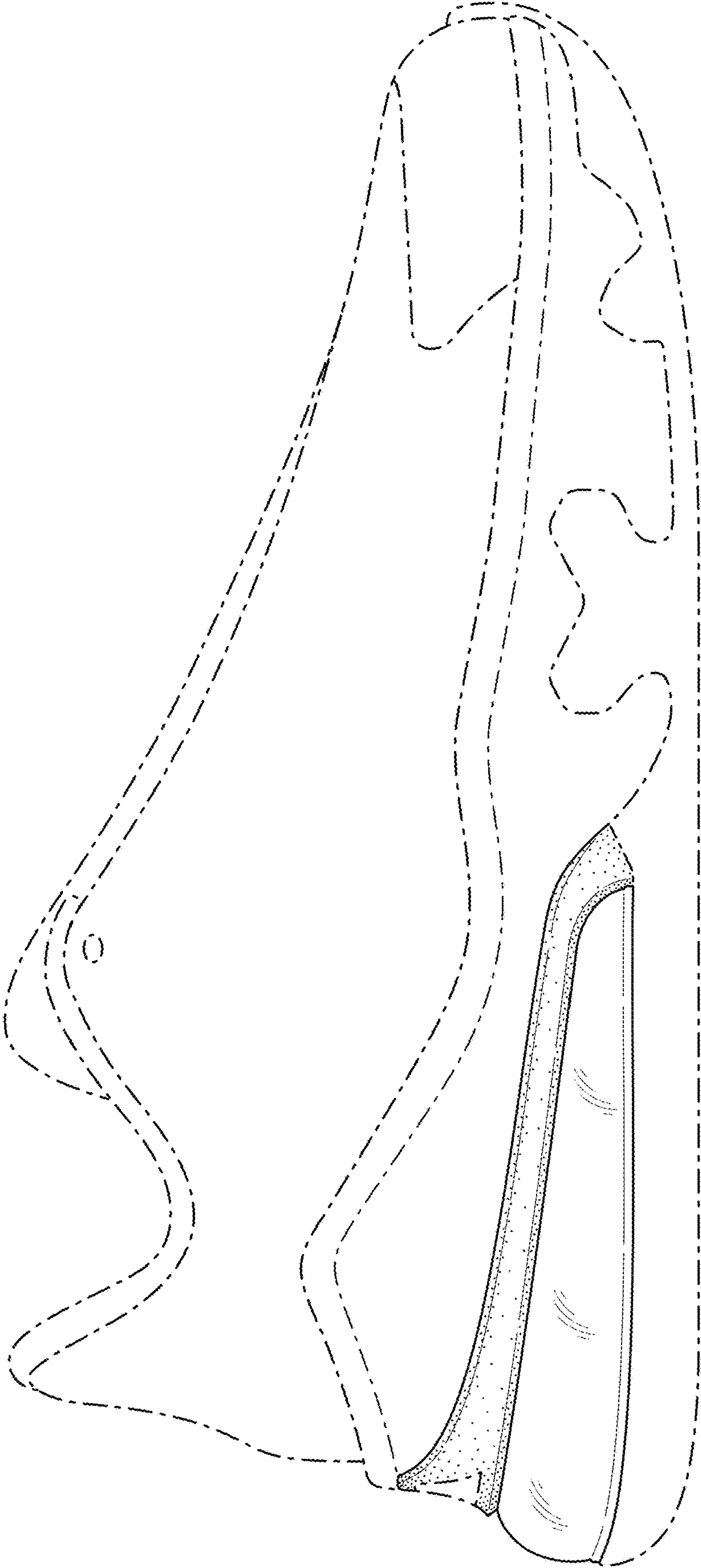


FIG. 5