



US00D910983S

(12) **United States Design Patent** (10) **Patent No.:** **US D910,983 S**
Chanler (45) **Date of Patent:** **** Feb. 23, 2021**

(54) **BASEBALL CAP WITH HOLE IN THE TOP**

(71) Applicant: **Christopher Bryce Chanler**, San Antonio, TX (US)

(72) Inventor: **Christopher Bryce Chanler**, San Antonio, TX (US)

(**) Term: **15 Years**

(21) Appl. No.: **29/696,797**

(22) Filed: **Jul. 1, 2019**

(51) **LOC (13) Cl.** **02-03**

(52) **U.S. Cl.**
USPC **D2/882; D2/876**

(58) **Field of Classification Search**
USPC D2/865, 866, 875, 876, 877, 878, 879, D2/880, 881, 882, 883, 884, 885, 886, D2/887, 888, 891, 893
CPC A42B 1/00; A42B 1/002; A42B 1/004; A42B 1/006; A42B 1/02; A42B 1/062; A42B 1/063; A42B 1/201; A42B 1/225; A42C 5/04

See application file for complete search history.

(56) **References Cited**

U.S. PATENT DOCUMENTS

D360,519 S * 7/1995 Bailey D2/865
5,509,145 A * 4/1996 Stevenson A42B 1/225
2/171.1
5,511,249 A * 4/1996 Higgins A42B 1/225
2/195.1
D390,687 S * 2/1998 Kazel D2/876
6,202,219 B1 * 3/2001 Cheever A42B 1/225
2/175.1
7,010,815 B2 * 3/2006 Tufano-Sisca A42B 1/225
2/171.5

D590,136 S * 4/2009 Campos, Sr. D2/882
D603,144 S * 11/2009 South D2/882
D669,252 S * 10/2012 Rogers D2/882
D670,892 S * 11/2012 Epstein D2/882
8,418,266 B1 * 4/2013 Pike A41G 5/0093
2/209.13
D882,214 S * 4/2020 Yoo D2/876
D892,452 S * 8/2020 Palmer D2/876

OTHER PUBLICATIONS

MTN TopCaps is a Baseball hat with an elastic hole on top for your ponytail or bun, [online]; [review published to the Internet on Jun. 17, 2018]; [retrieved from the Internet on Sep. 23, 2020]; URL: <https://www.etsy.com/ie/listing/758267041/mtn-top-caps-is-a-baseball-hat-with-an>. (2 pages). (Year: 2018).*

* cited by examiner

Primary Examiner — Jasmine Mlinarcik
(74) *Attorney, Agent, or Firm* — Gunn Lee & Cave, PC

(57) **CLAIM**

The ornamental design for a baseball cap with a hole on the top, as shown and described.

DESCRIPTION

FIG. 1 is a side perspective view of a baseball cap with a hole in the top as shown in a position of use;
FIG. 2 is a front, top perspective view of the baseball cap with a hole in the top;
FIG. 3 is a front view thereof;
FIG. 4 is a top plan view thereof;
FIG. 5 is a rear view thereof; and,
FIG. 6 is a bottom plan view thereof.
The partial human figure outlined by broken lines assist to illustrate the claimed design in a position of use and forms no part of the claimed design.

1 Claim, 4 Drawing Sheets

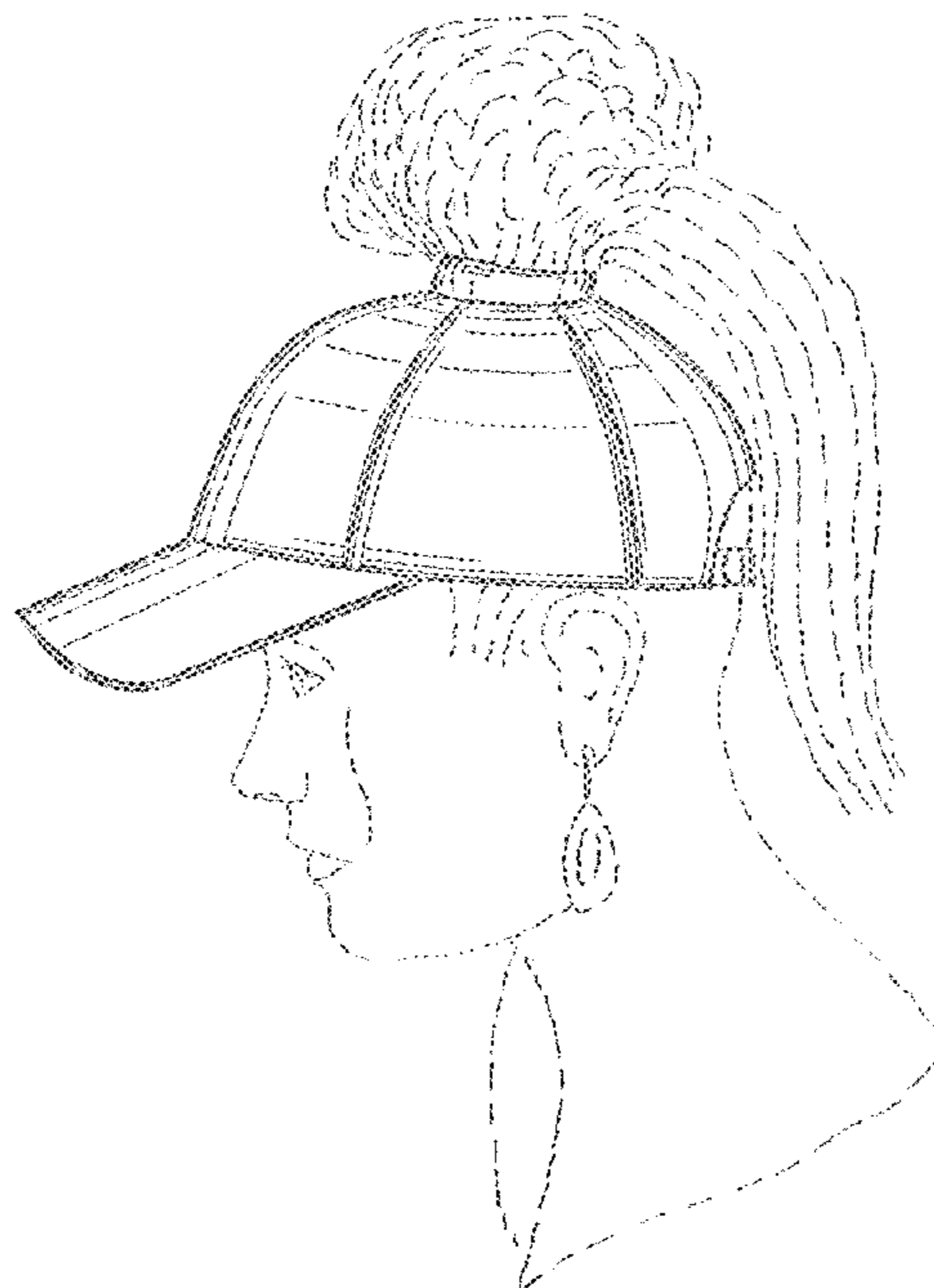




FIG. 1

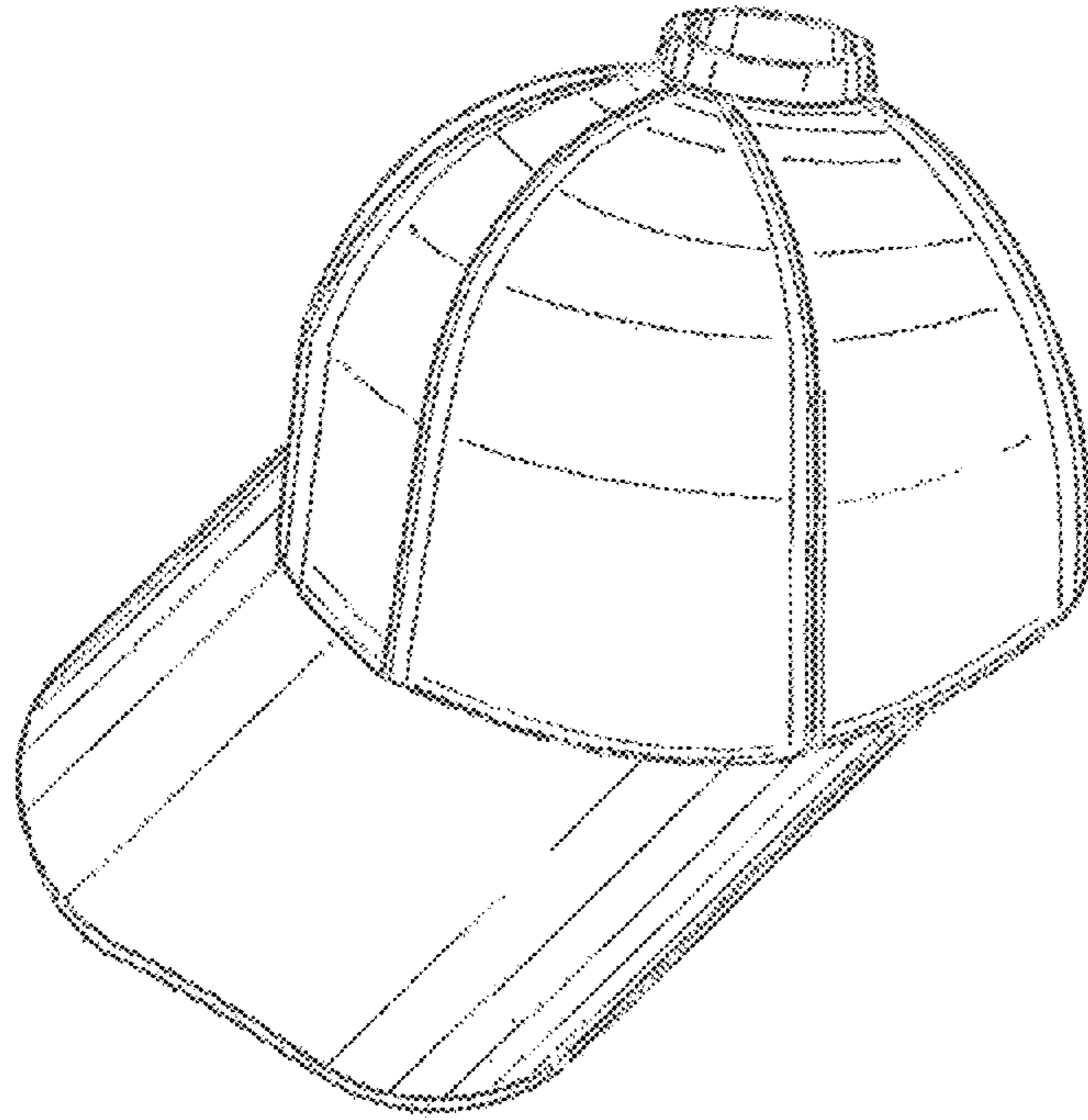


FIG. 2

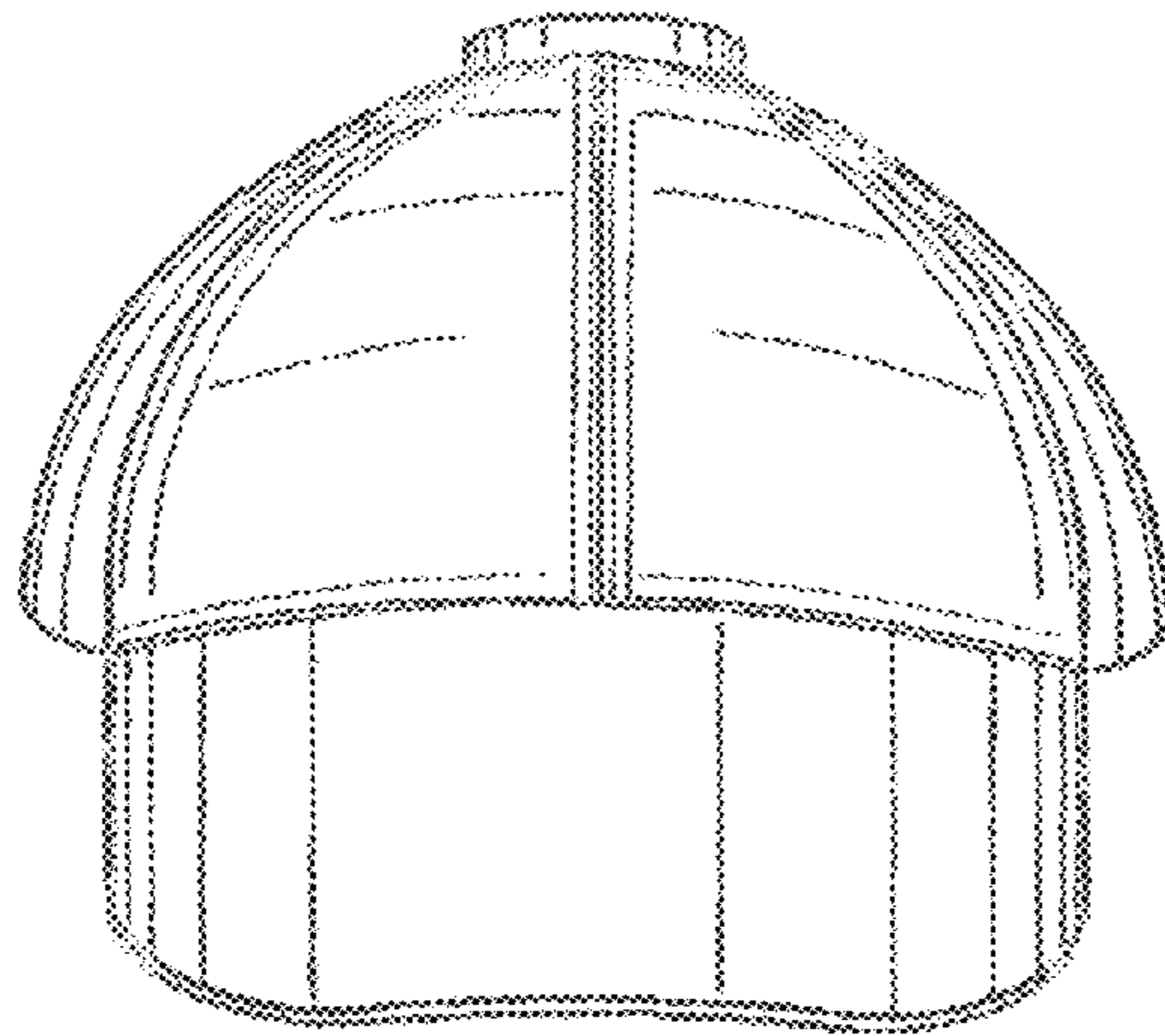


FIG. 3

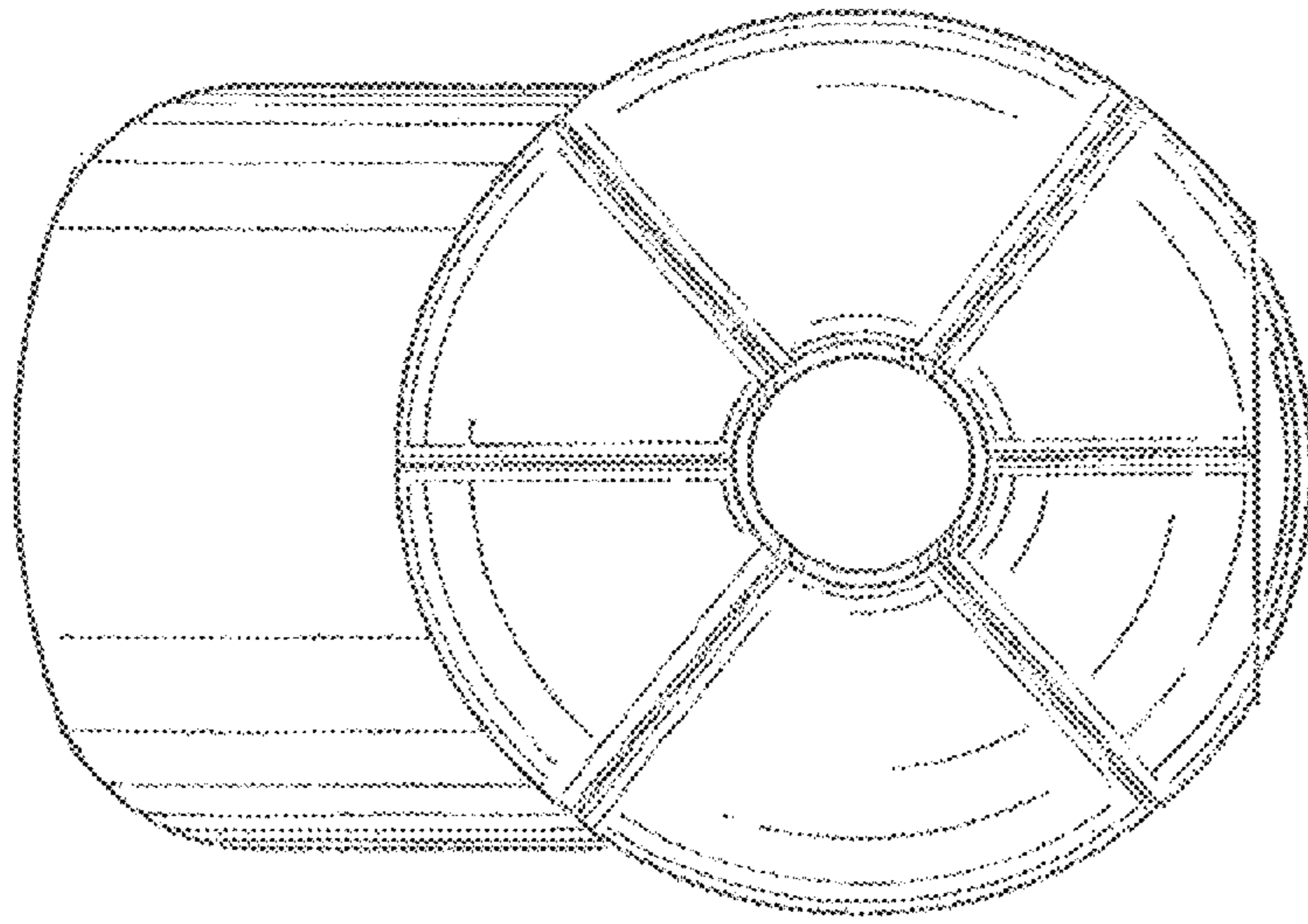


FIG. 4

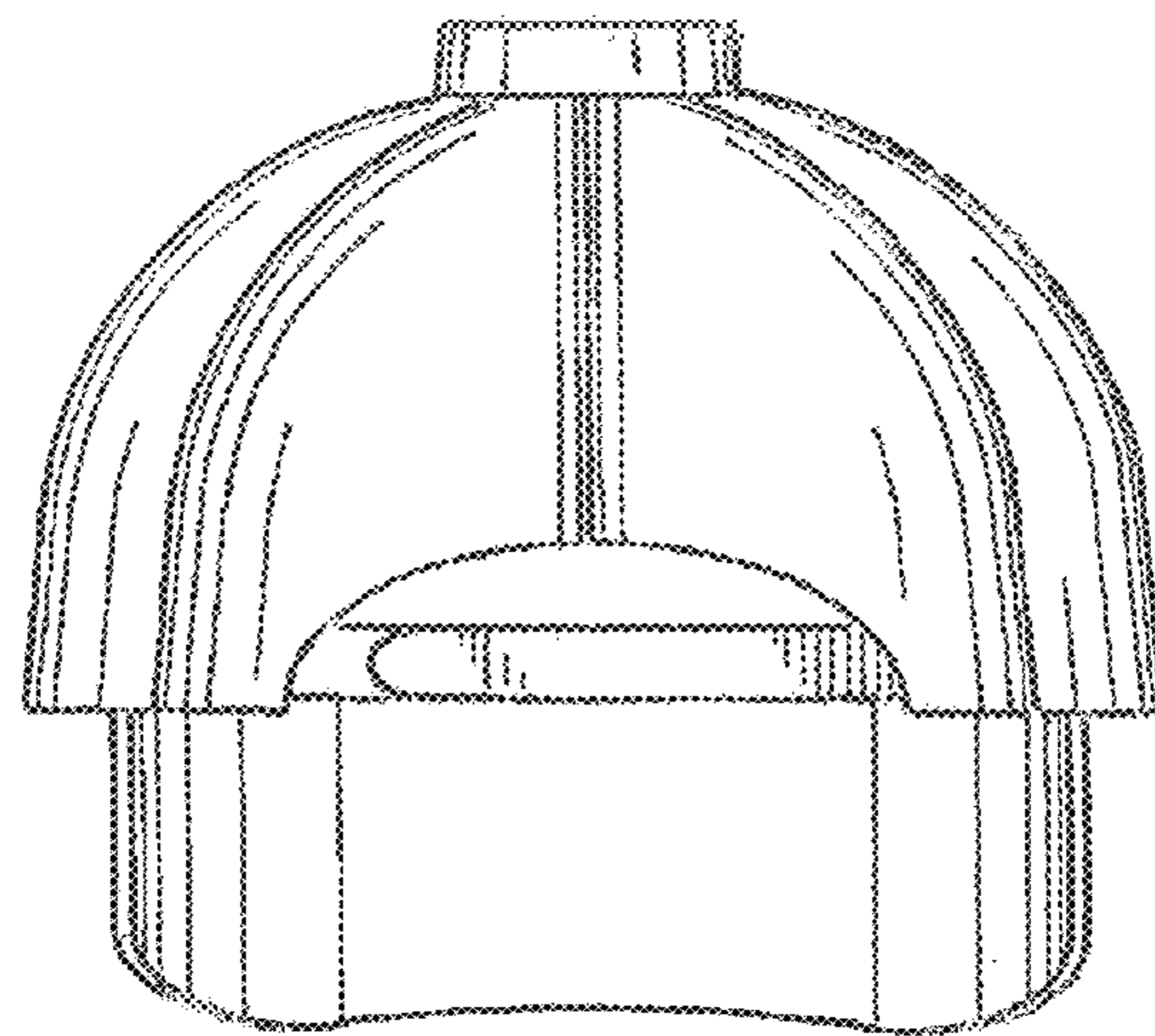


FIG. 5

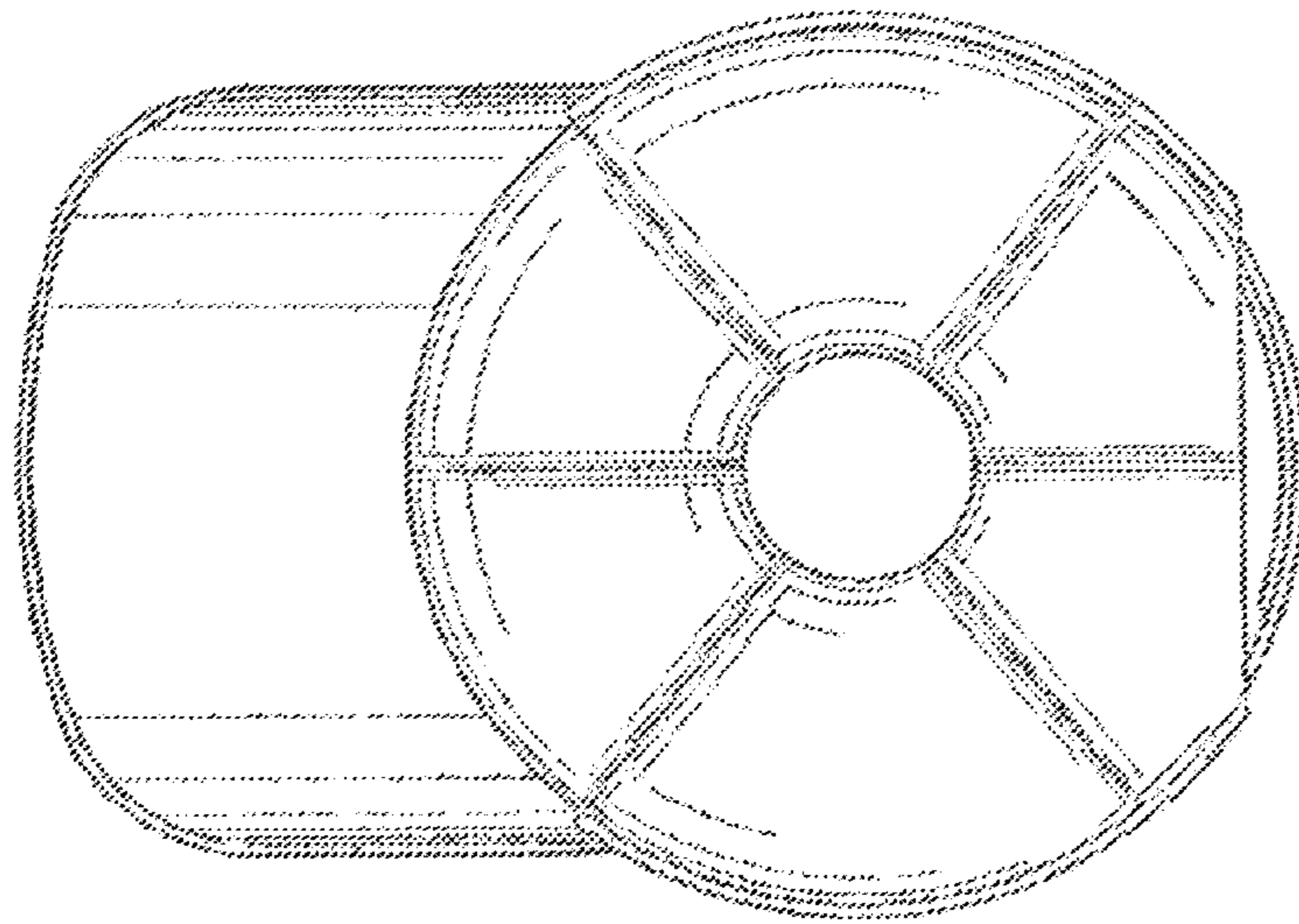


FIG. 6