



US00D910981S

(12) **United States Design Patent** (10) **Patent No.:** **US D910,981 S**  
**Hathorn** (45) **Date of Patent:** **\*\* Feb. 23, 2021**

(54) **APRON**

FOREIGN PATENT DOCUMENTS

(71) Applicant: **Sheena Hathorn**, Tacoma, WA (US)

CN 305881484 \* 1/2020  
JP D1623785 \* 3/2018

(72) Inventor: **Sheena Hathorn**, Tacoma, WA (US)

(\*\*) Term: **15 Years**

OTHER PUBLICATIONS

(21) Appl. No.: **29/700,654**

Waxed Canvas Woodworking Apron, announced 2017 [online], [site visited Aug. 25, 2020] Available from internet, URL: <[https://www.amazon.com/Waxed-Canvas-Heavy-Pockets-Adjustable/dp/B071P9LM7P/ref=psdc\\_7491823011\\_t2\\_B0798WWM89](https://www.amazon.com/Waxed-Canvas-Heavy-Pockets-Adjustable/dp/B071P9LM7P/ref=psdc_7491823011_t2_B0798WWM89)> (Year: 2017).\*

(22) Filed: **Aug. 5, 2019**

(51) **LOC (13) Cl.** ..... **02-02**

(52) **U.S. Cl.**  
USPC ..... **D2/861**

(Continued)

(58) **Field of Classification Search**

USPC ..... D2/756, 757, 759, 773, 774, 785, 790,  
D2/793, 800, 830, 840, 845, 851, 853,  
D2/861, 862, 863, 864  
CPC ..... A41D 1/14; A41D 1/22; A41D 13/0012;  
A41D 13/04; A41D 13/0525; A41D  
13/1245; A41D 2200/01; A41D 2600/20;  
A47G 9/0292

*Primary Examiner* — Kevin K Rudzinski  
*Assistant Examiner* — Amber J Rabie

See application file for complete search history.

(57) **CLAIM**

I claim the ornamental design for an apron, as shown and described.

(56) **References Cited**

**DESCRIPTION**

U.S. PATENT DOCUMENTS

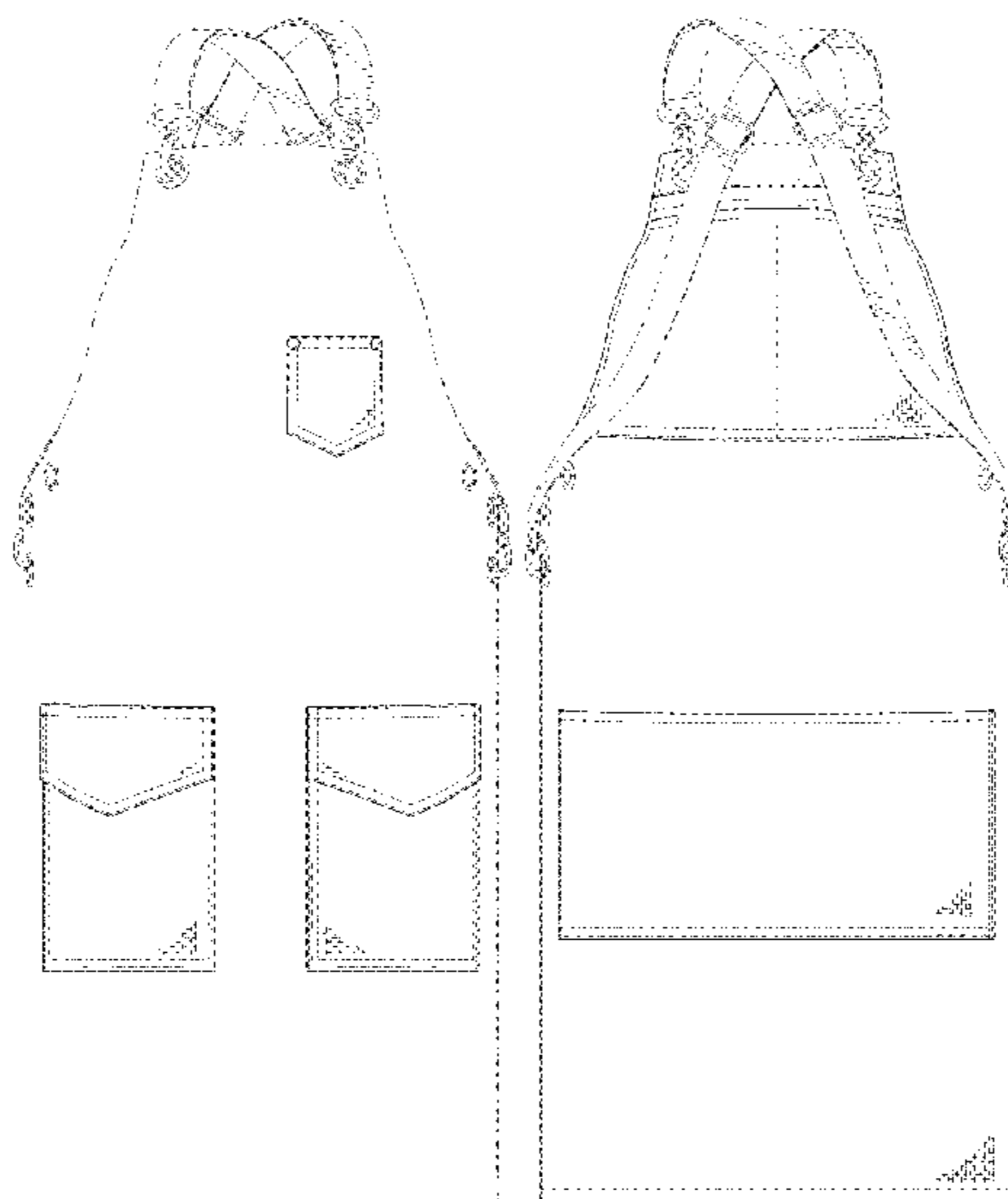
1,706,024 A \* 3/1929 Davis ..... A41D 27/20  
2/248  
D174,495 S \* 4/1955 Fraser et al. .... D2/864  
2,755,480 A \* 7/1956 Jones ..... A41D 13/0012  
2/94  
D364,726 S \* 12/1995 Kosc ..... D2/860  
D381,190 S \* 7/1997 Deon ..... D2/861  
D443,403 S \* 6/2001 Vazquez ..... D2/860  
D470,295 S \* 2/2003 Chackel ..... A47K 10/12  
D2/860  
D603,143 S \* 11/2009 Walsh ..... A41D 13/0012  
D2/861  
D870,422 S \* 12/2019 Bernstein ..... A41D 27/20  
D2/857  
D871,724 S \* 1/2020 Stamps ..... D2/861  
2007/0107111 A1 \* 5/2007 Passman ..... A41D 13/0012  
2/247

FIG. 1 is a back elevation view of an apron.  
FIG. 2 is a front elevation view thereof.  
FIG. 3 is a front elevation view thereof, wherein the apron is in a configuration of use.  
FIG. 4 is a back elevation view thereof.  
FIG. 5 is a left-side elevation view thereof.  
FIG. 6 is a right-side elevation view thereof.  
FIG. 7 is a top plan view thereof.  
FIG. 8 is a bottom plan view thereof.  
FIG. 9 is back perspective view thereof; and,  
FIG. 10 is a partial back view thereof.

The portions of the apron illustrated in uneven broken lines and the surfaces immediately adjacent to the uneven broken lines that do not contain shading form no part of the claimed design. Any evenly broken lines in the drawings illustrate stitching portions of the apron that form part of the claimed design.

(Continued)

**1 Claim, 10 Drawing Sheets**



(56)

**References Cited**

U.S. PATENT DOCUMENTS

2017/0265537 A1\* 9/2017 Audet ..... A47K 10/12

OTHER PUBLICATIONS

Capes by Sheena Jean Reversible Apron, announced 2017 [online], [site visited Aug. 25, 2020], available from internet, URL: <<https://www.facebook.com/capesby.sheena/photos/a.609804789140496/1432837566837210/?type=3&theater>> (Year: 2017).\*

\* cited by examiner

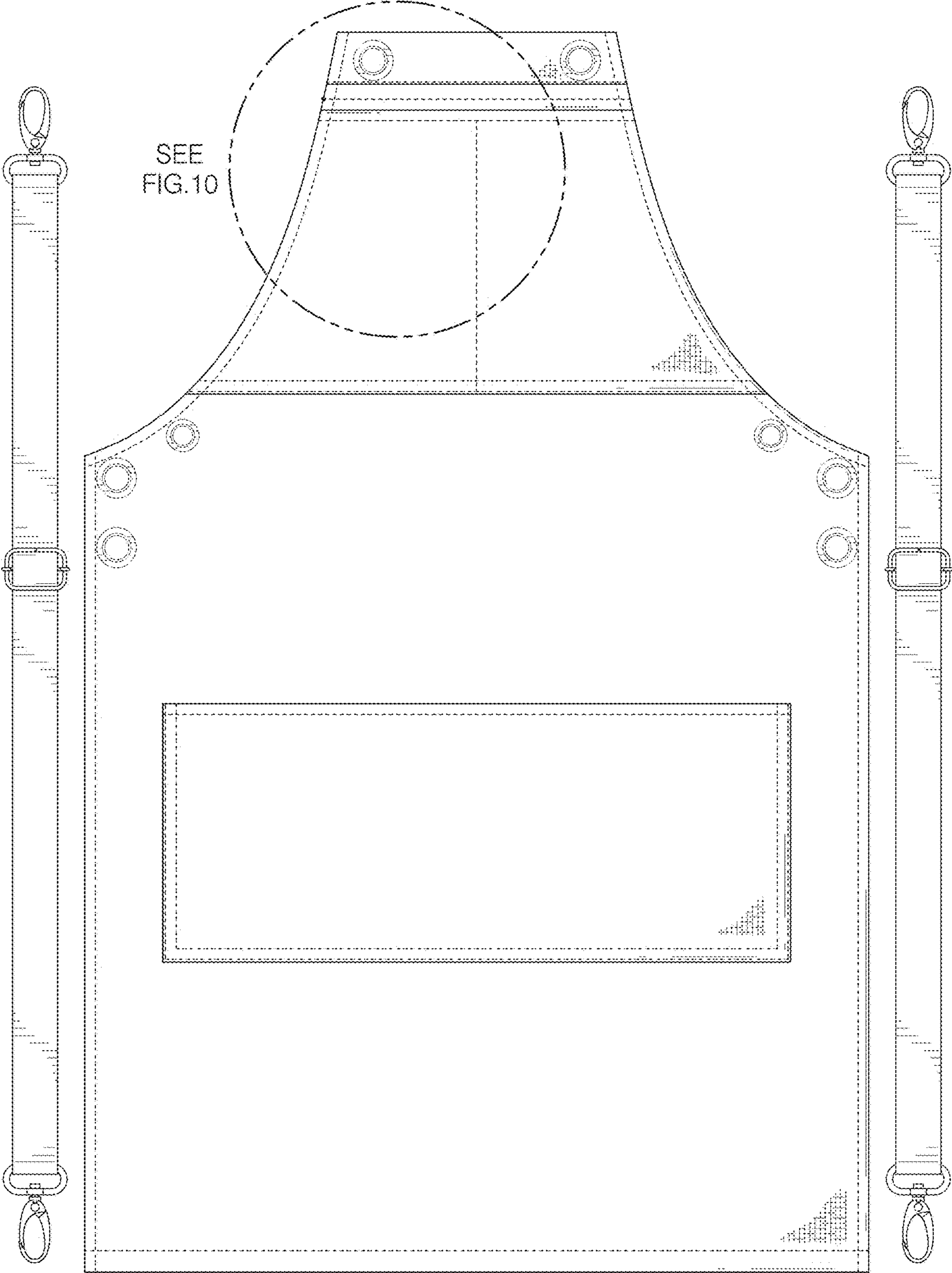


FIG. 1

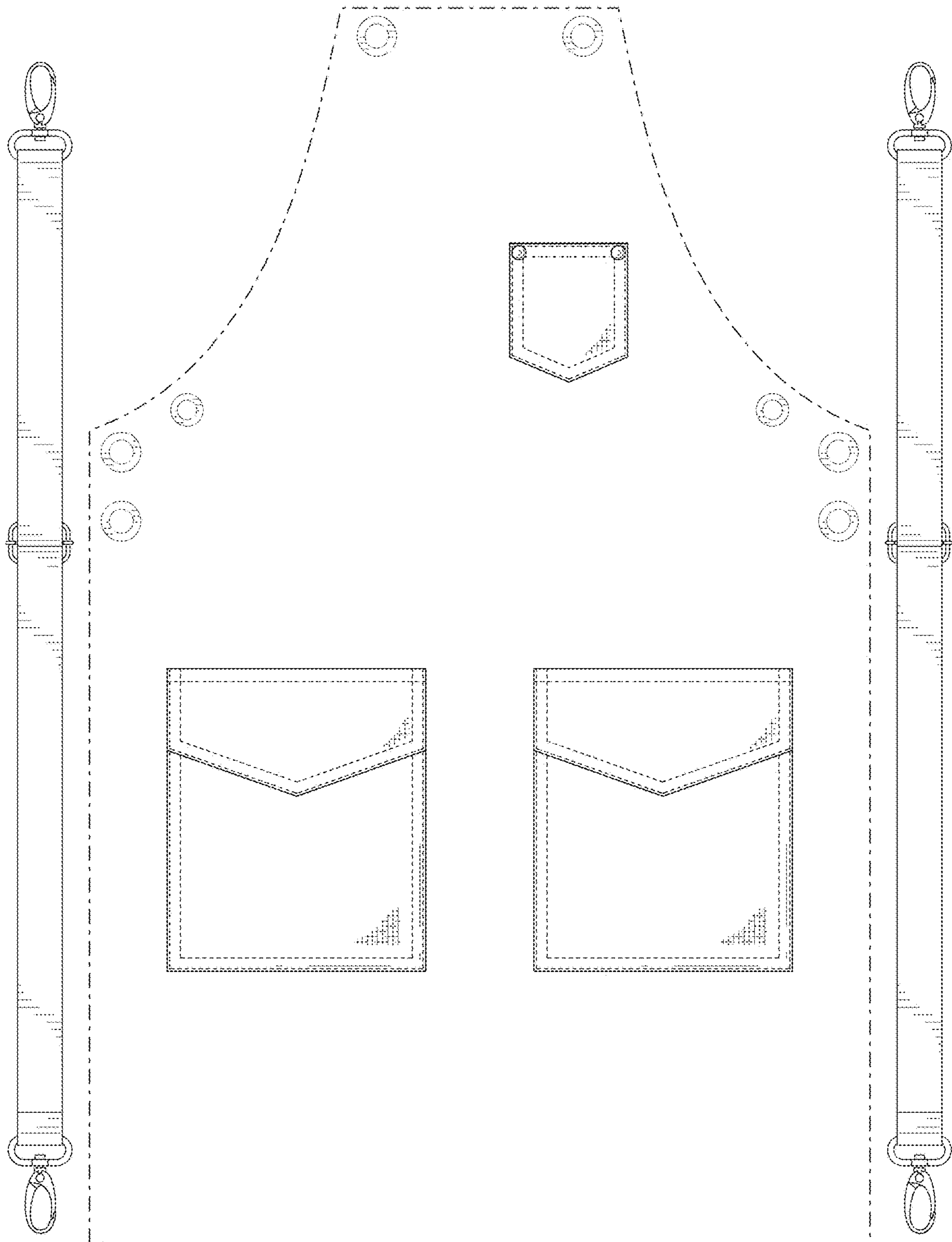


FIG. 2

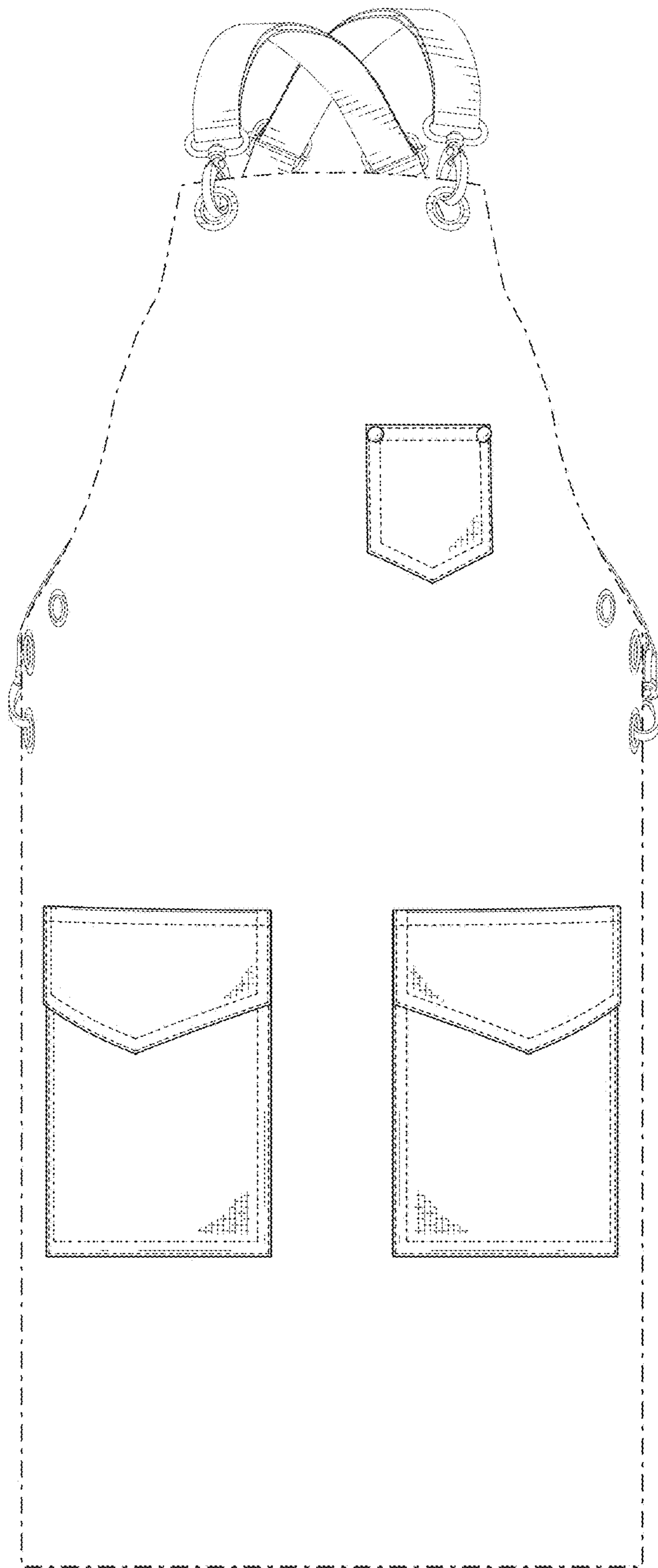


FIG. 3

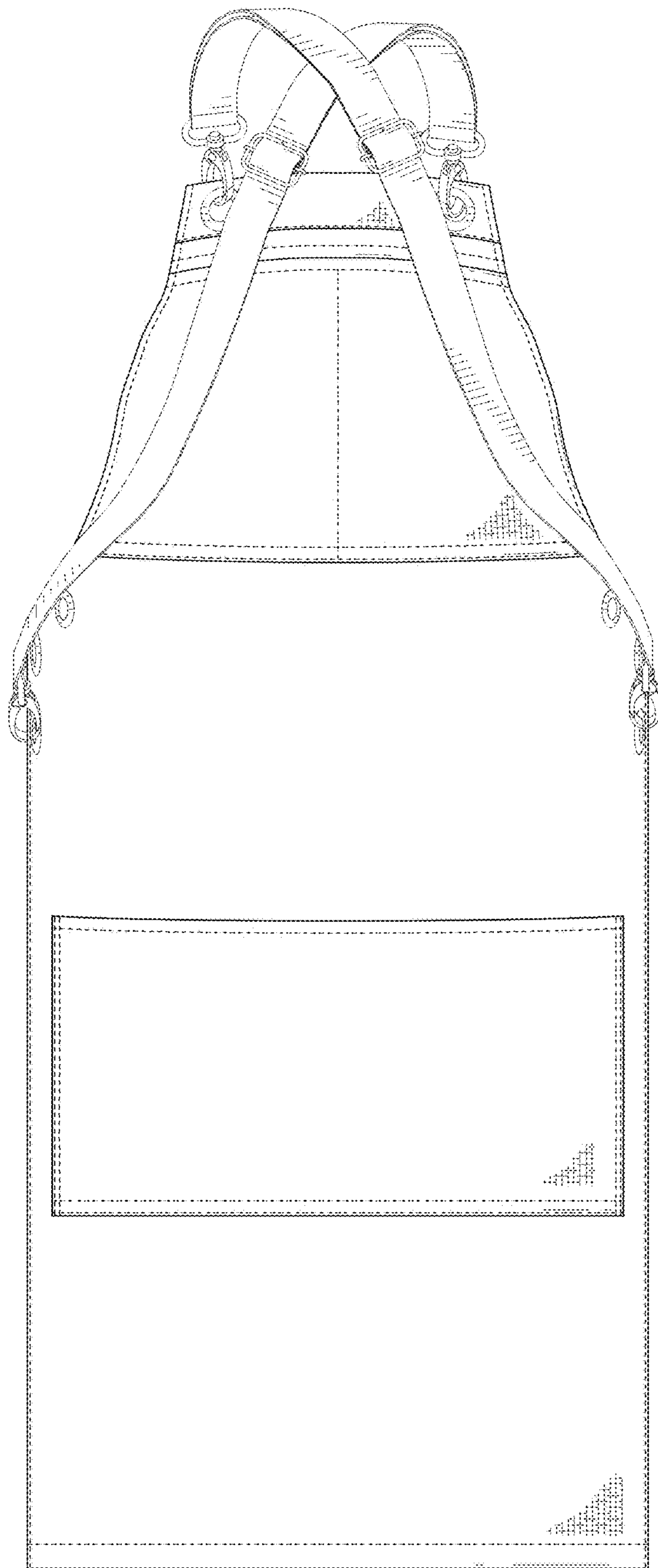


FIG. 4

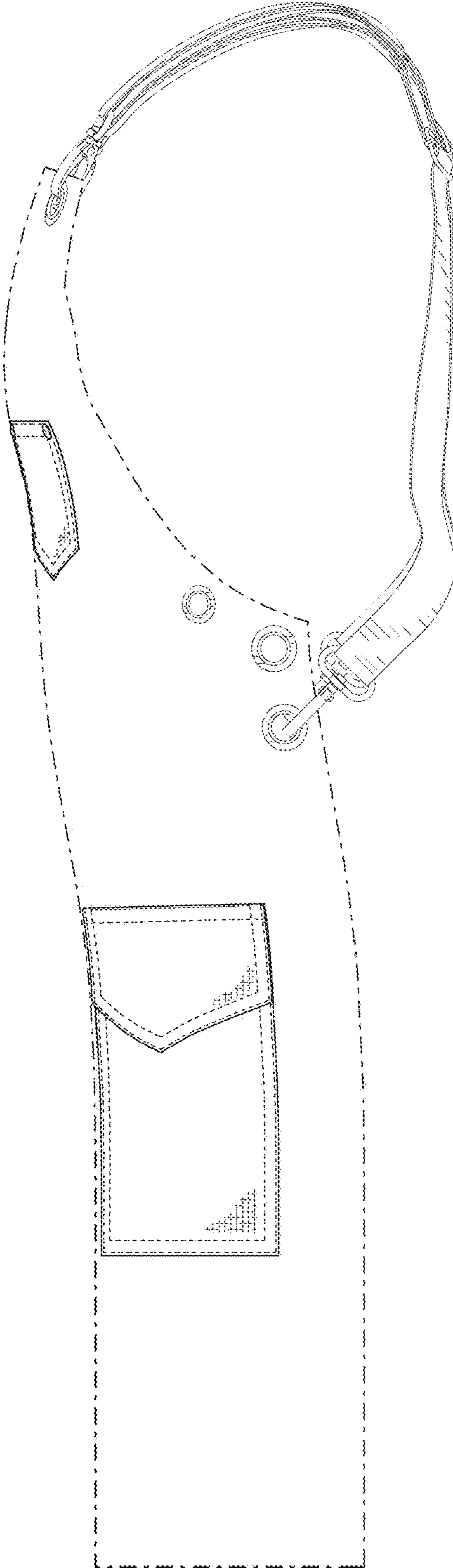


FIG. 5

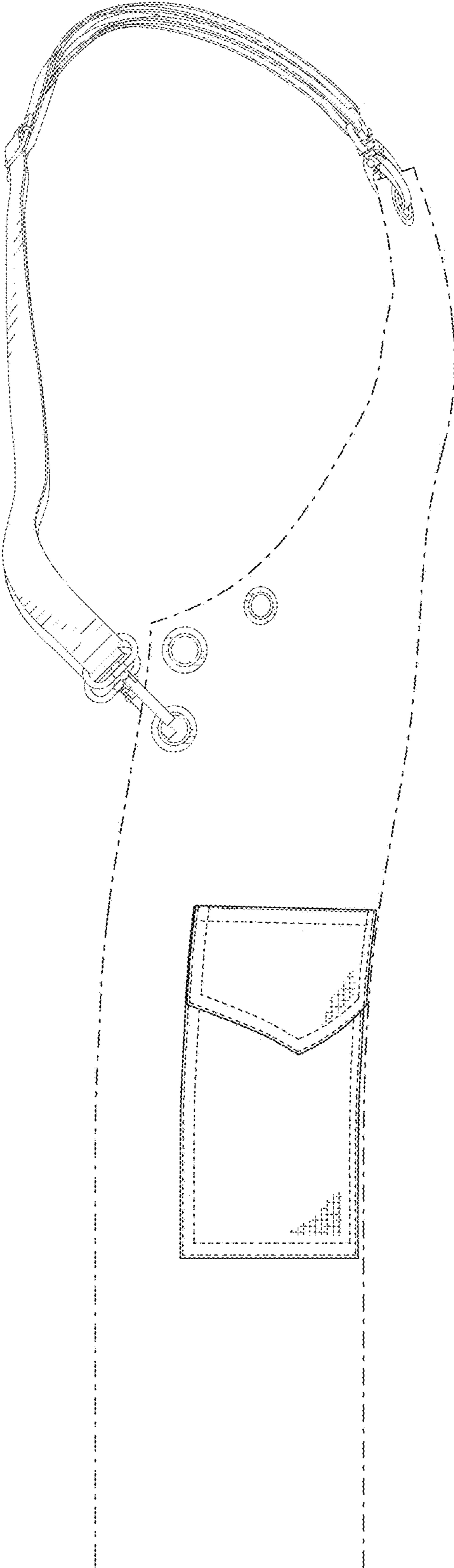


FIG. 6



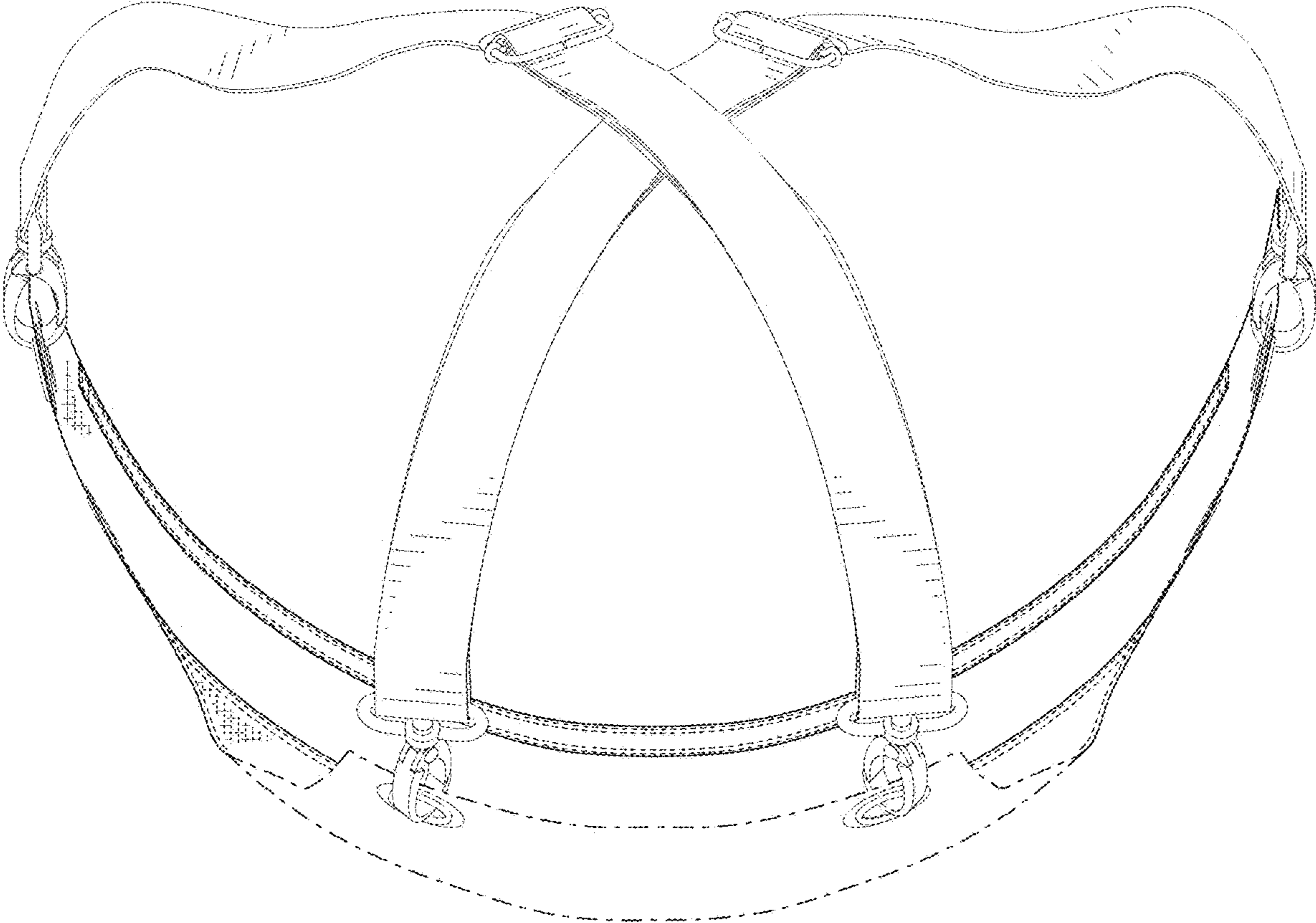


FIG. 7

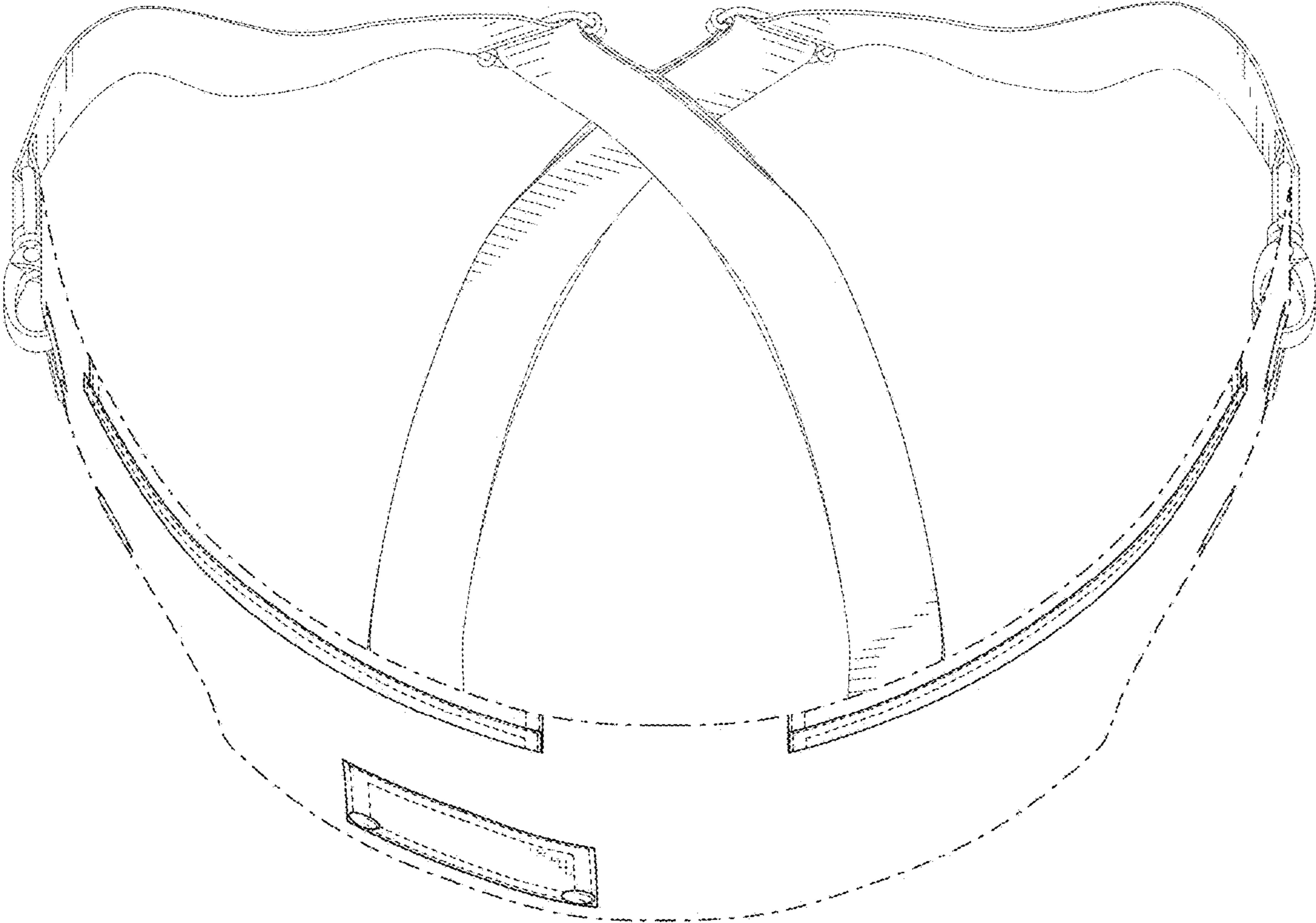


FIG. 8

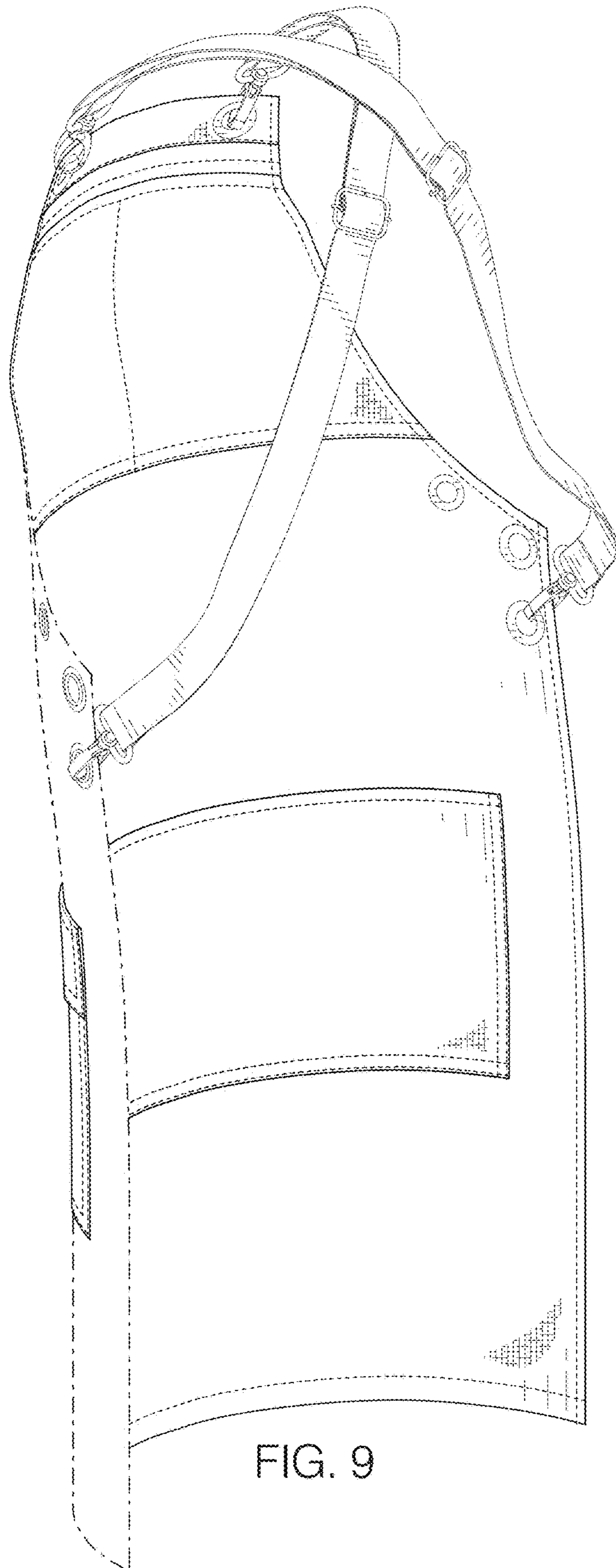


FIG. 9

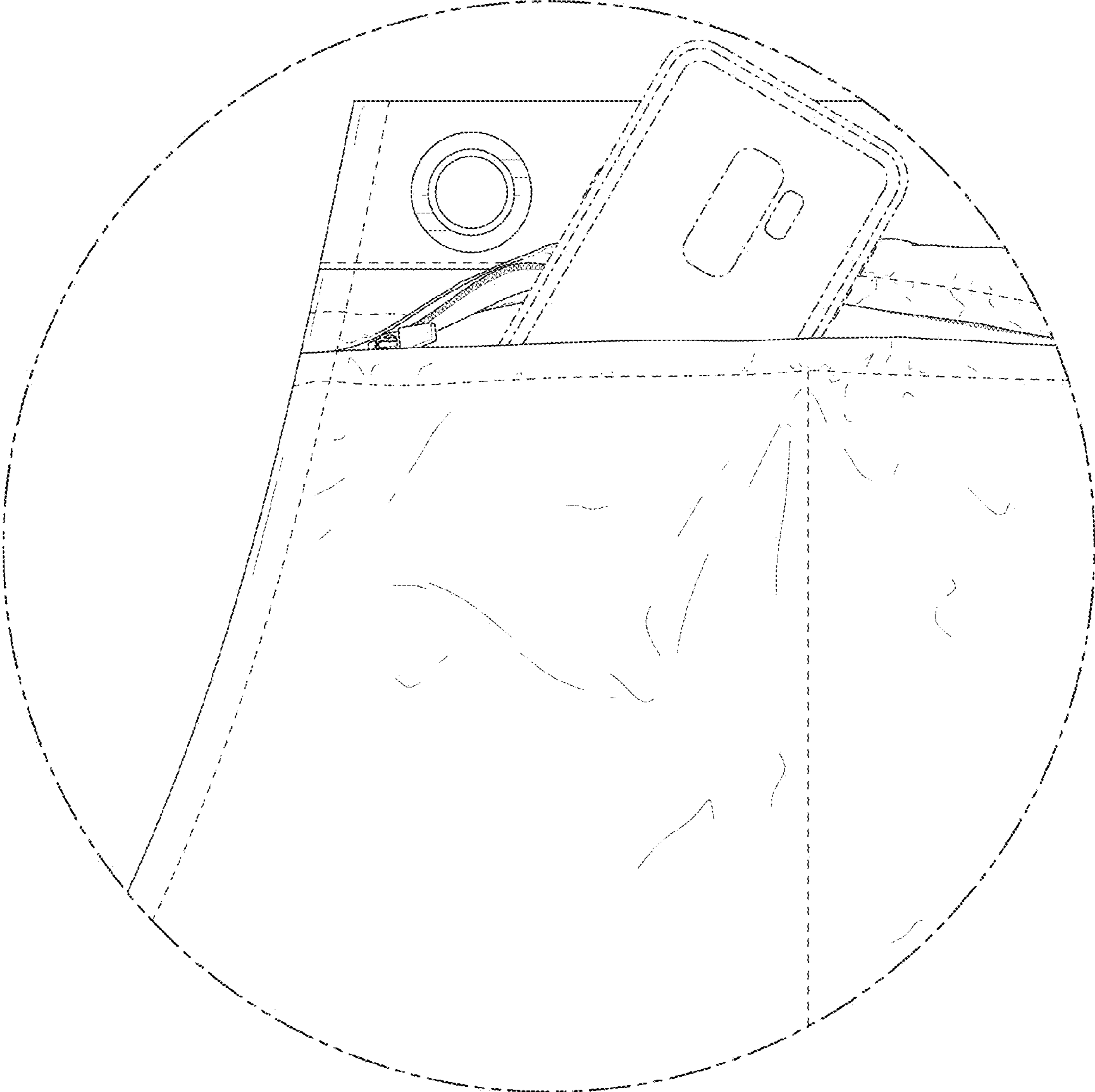


FIG. 10