



US00D910976S

(12) **United States Design Patent** (10) **Patent No.:** **US D910,976 S**
Hierholzer (45) **Date of Patent:** **** Feb. 23, 2021**

- (54) **UNDERWEAR GARMENT**
- (71) Applicant: **PIFE, Inc.**, Winter Springs, FL (US)
- (72) Inventor: **Creighton Hierholzer**, Winter Springs, FL (US)
- (73) Assignee: **PIFE, Inc.**, Winter Springs, FL (US)
- (**) Term: **15 Years**

D858,940 S * 9/2019 Rodriguez D2/711
 10,750,792 B2 * 8/2020 Hierholzer A41B 9/023
 D903,234 S * 12/2020 Filipowers D2/712
 2009/0106874 A1 4/2009 Shiush
 2009/0288240 A1 11/2009 Lim
 (Continued)

FOREIGN PATENT DOCUMENTS

CN 2479751 Y 3/2002
 CN 201025873 Y 2/2008
 (Continued)

- (21) Appl. No.: **29/688,361**
- (22) Filed: **Apr. 19, 2019**
- (51) **LOC (13) Cl.** **02-01**
- (52) **U.S. Cl.**
USPC **D2/712**
- (58) **Field of Classification Search**
USPC D2/712-714, 716, 738, 704
CPC .. A41B 9/00; A41B 9/02; A41B 9/004; A41B 9/001; A41B 9/023; A41B 9/12
See application file for complete search history.

OTHER PUBLICATIONS

Men's Hung HGG003 Boxer Trunk Underwear , posted 2020 [online], (retrieved Dec. 29, 2020). Retrieved from the internet, <https://www.etsy.com/listing/897812005/mens-hung-hgg003-boxer-trunk-navy?ref=related-3&pro=1&frs=1> (Year: 2020).*
 (Continued)

Primary Examiner — Kevin K Rudzinski
Assistant Examiner — J. Thorn, Sr.
 (74) *Attorney, Agent, or Firm* — Darrin A. Auito; HEA Law, PLLC

(56) **References Cited**

U.S. PATENT DOCUMENTS

- D269,919 S * 8/1983 Gabrelcik D2/712
- 5,070,869 A 12/1991 Zhang
- D353,933 S * 1/1995 Michels D2/712
- D571,532 S * 6/2008 Gutierrez D2/713
- 7,676,853 B1 3/2010 Cutlip
- D646,462 S 10/2011 Ellis et al.
- D651,378 S * 1/2012 Cho D2/712
- D652,197 S 1/2012 Sanchez
- D656,708 S 4/2012 Ellis
- D681,914 S 5/2013 Scott
- 8,800,064 B2 8/2014 Delija
- D762,045 S 7/2016 Popp
- 9,451,794 B2 9/2016 Lin
- D769,577 S * 10/2016 Valenzuela D2/712
- D822,342 S * 7/2018 Maxi D2/712
- D838,083 S * 1/2019 Lenahan D2/711
- D838,931 S * 1/2019 Yan D2/712

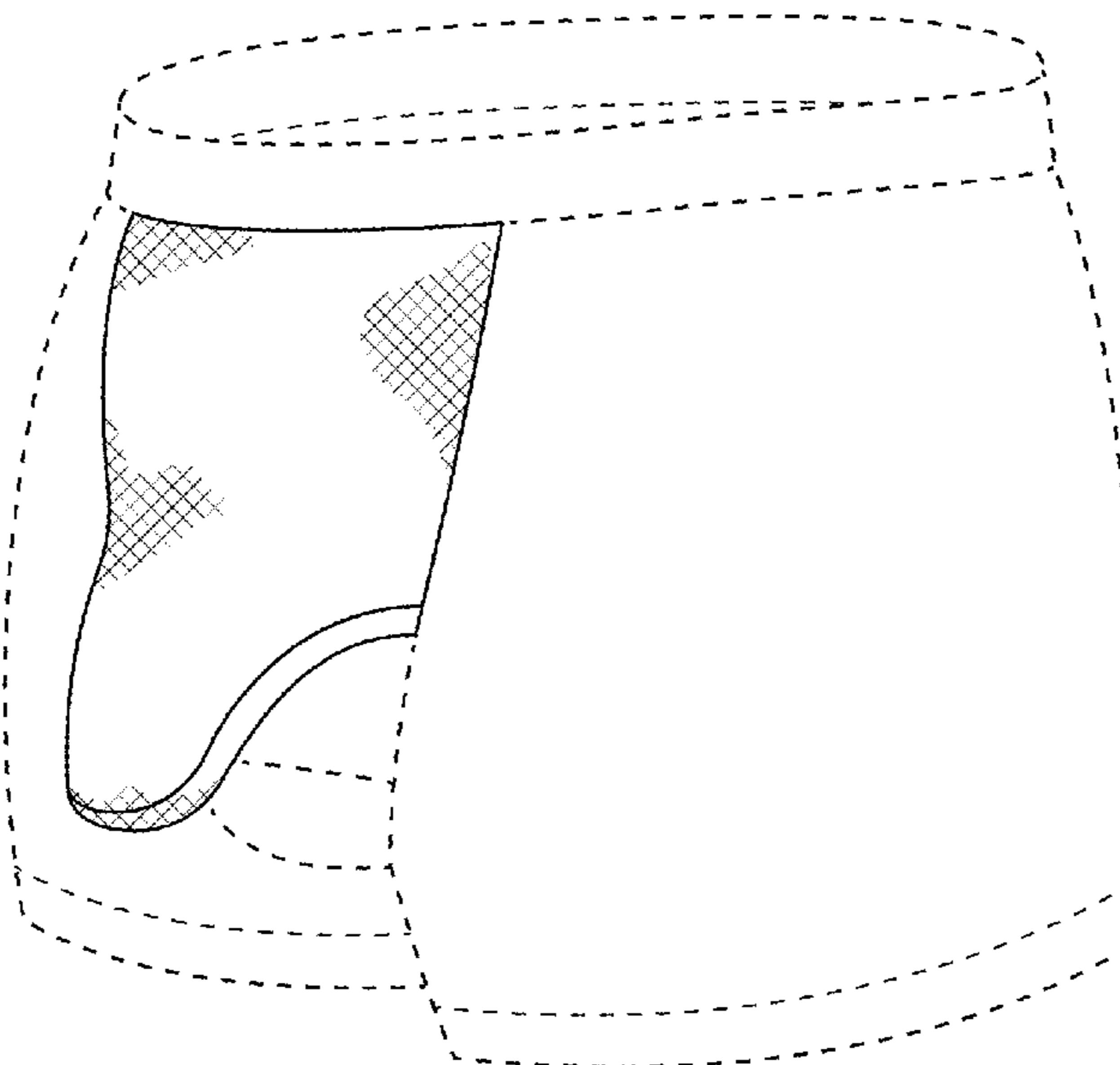
(57) **CLAIM**

The ornamental design for an underwear garment, as shown and described.

DESCRIPTION

FIG. 1 is a perspective view of an underwear garment;
 FIG. 2 is a front side view thereof;
 FIG. 3 is a back side view thereof;
 FIG. 4 is a left side view thereof; and,
 FIG. 5 is a right side view thereof.
 The broken lines shown in the drawings depict portions of the underwear garment that form no part of the claimed design.

1 Claim, 5 Drawing Sheets



(56)

References Cited

U.S. PATENT DOCUMENTS

2012/0167279 A1* 7/2012 Bigney A41B 9/02
2/401
2016/0242470 A1 8/2016 Xhabija
2019/0320728 A1* 10/2019 Hierholzer A41B 9/023

FOREIGN PATENT DOCUMENTS

CN 100534340 C 9/2009
CN 301058379 11/2009
CN 101779831 A 7/2010
CN 301943926 6/2012
CN 202375045 U 8/2012
CN 302167503 11/2012
CN 302193286 11/2012
CN 102860590 A 1/2013
CN 202680491 U 1/2013
CN 203986144 U 12/2014
CN 204132408 U 2/2015
CN 204245161 U 4/2015
CN 303146284 4/2015
CN 303146285 4/2015
CN 303162287 4/2015
CN 303200803 5/2015
CN 204579900 U 8/2015
CN 303371168 9/2015

CN 303581267 2/2016
CN 303636836 4/2016
CN 205285013 U 6/2016
CN 303694851 6/2016
CN 304178025 6/2016
CN 303747906 7/2016
CN 303758344 8/2016
CN 303758405 8/2016
CN 205567828 U 9/2016
CN 205671486 U 11/2016
CN 303908479 11/2016
CN 303914610 11/2016
CN 304049761 2/2017
CN 304189399 6/2017
CN 304189400 6/2017
CN 206294900 U 7/2017

OTHER PUBLICATIONS

Summer Code Mens Sexy Micro Mesh Briefs Soft Breathable Bulge Pouch Underwear, posted 2017 [online], (retrieved Dec. 29, 2020). Retrieved from the internet, https://www.amazon.com/Summer-Code-Briefs-Breathable-Underwear/dp/B0758FZZJ1/ref=pd_day0_13?pd_rd_w=3mZll&pf_rd_p=ecf748b5-e796-4a%E2%80%A6 (Year: 2017).*

* cited by examiner

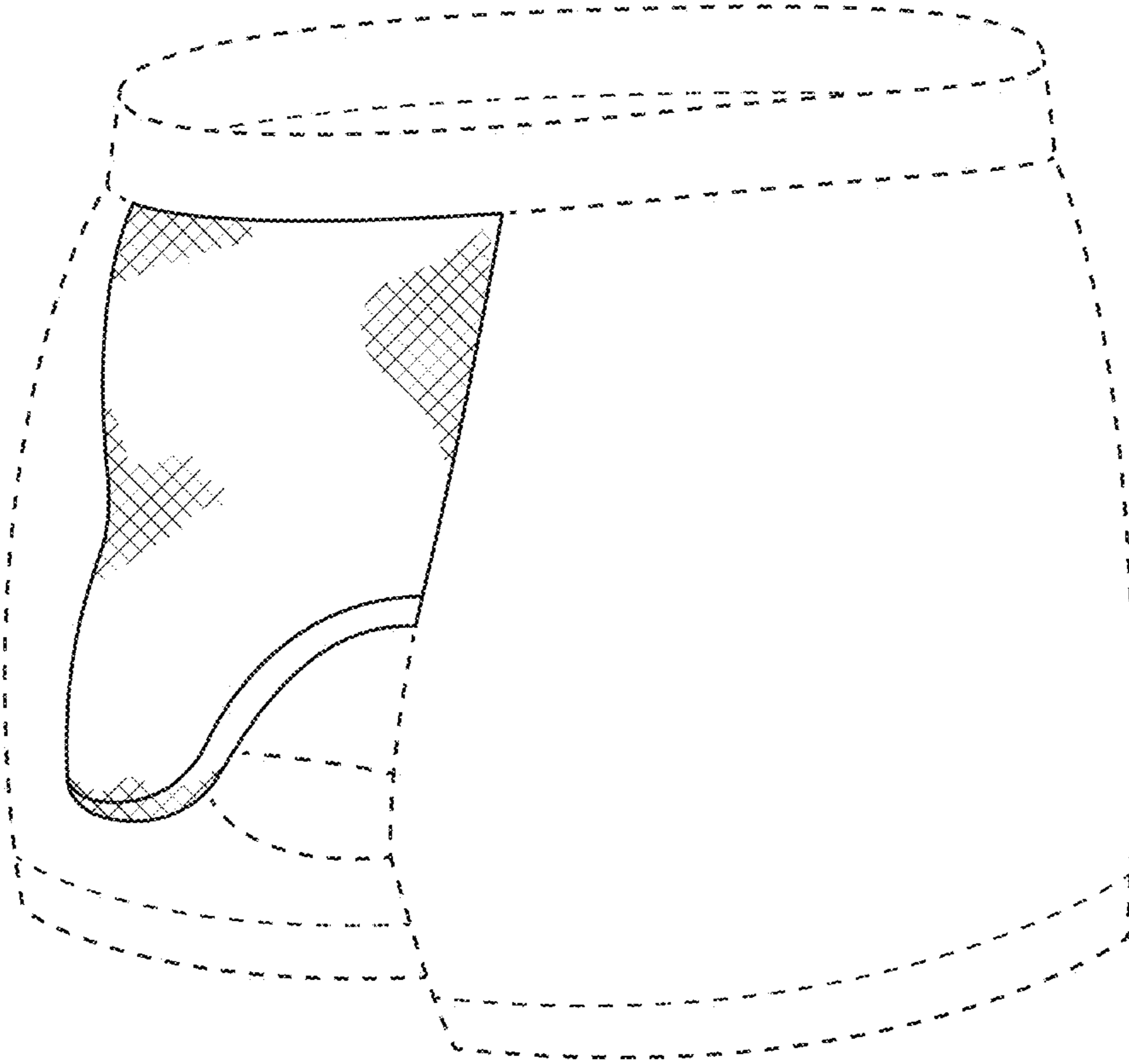


Fig. 1

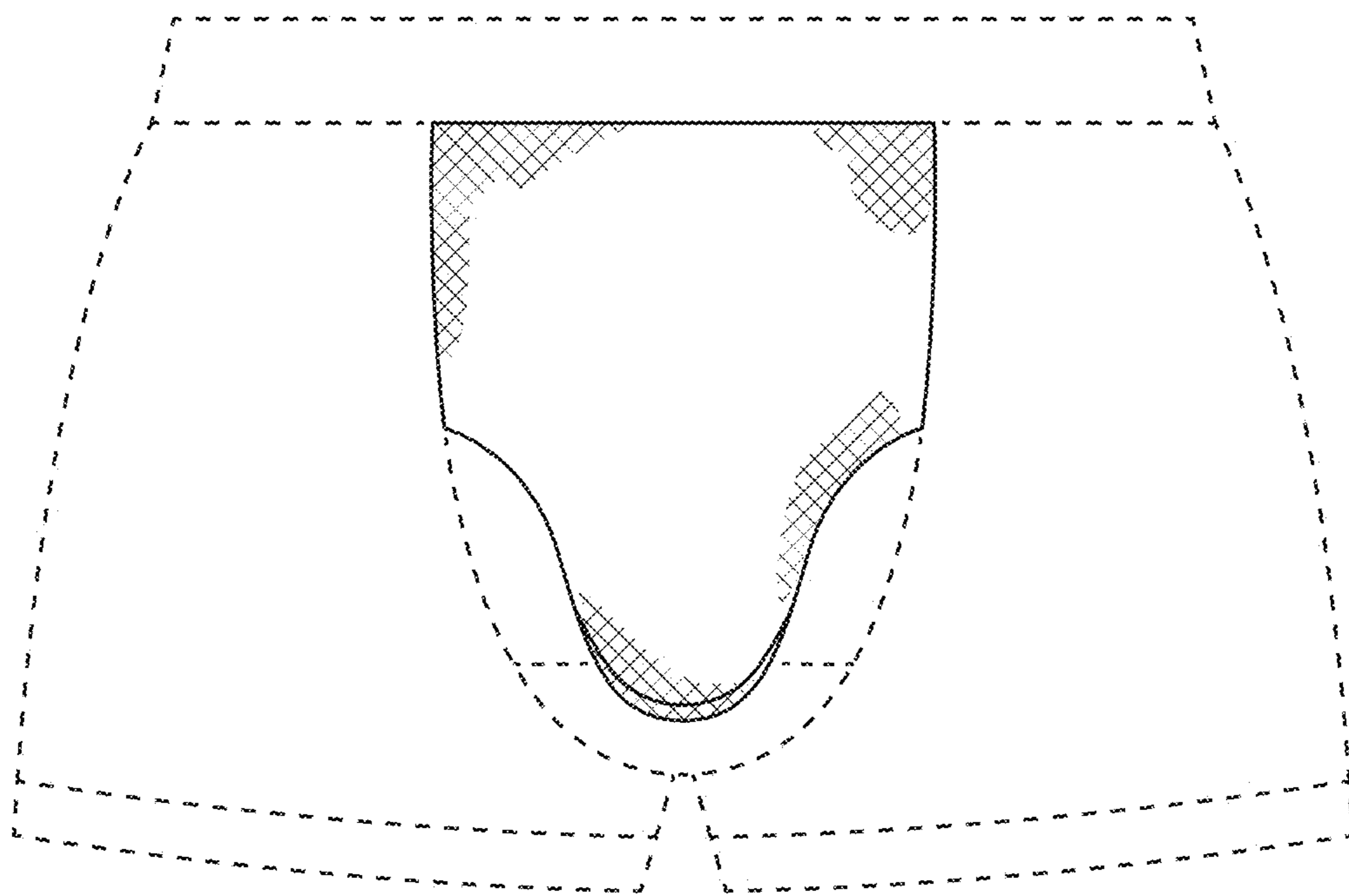


Fig. 2

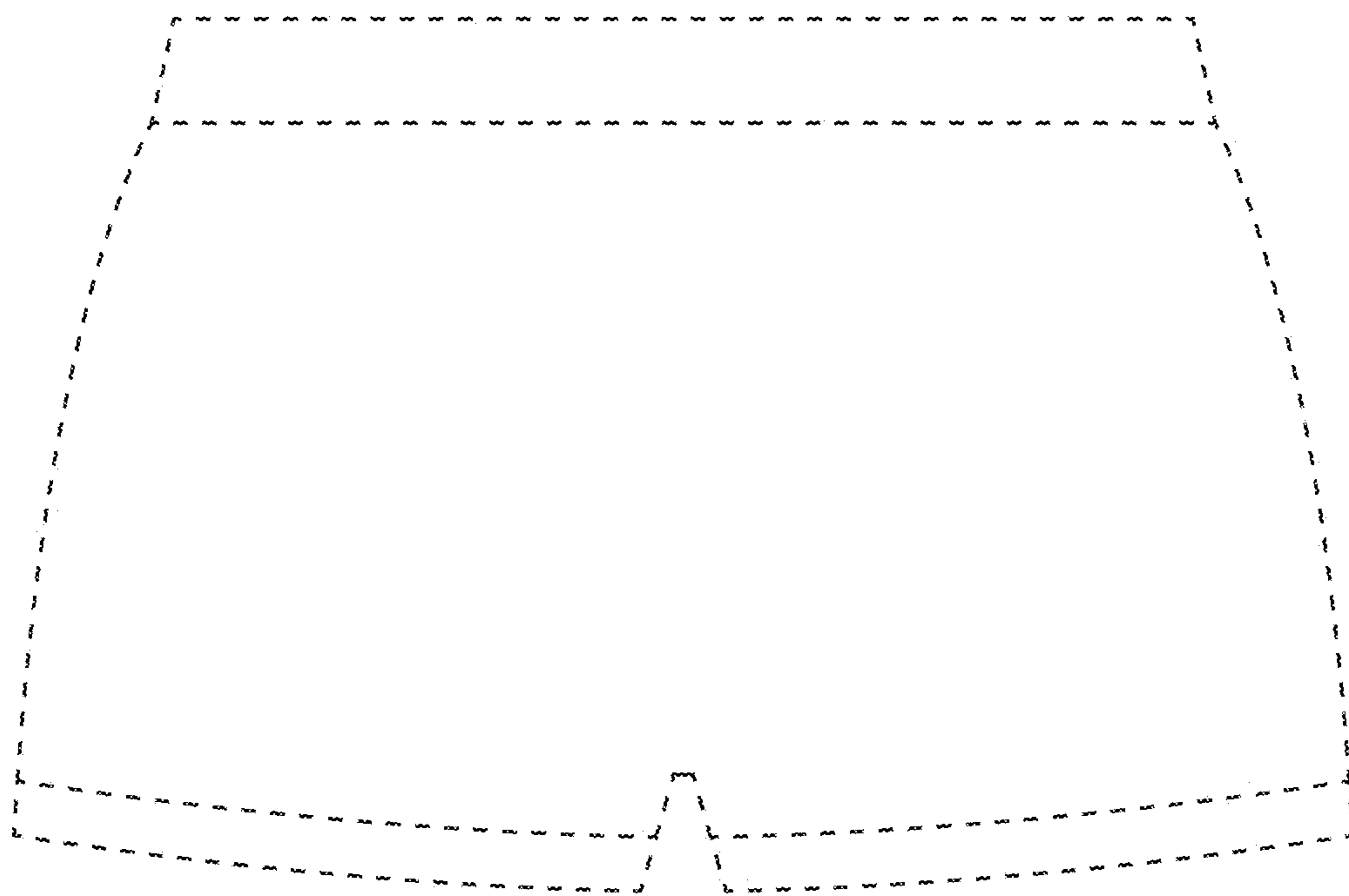


Fig. 3

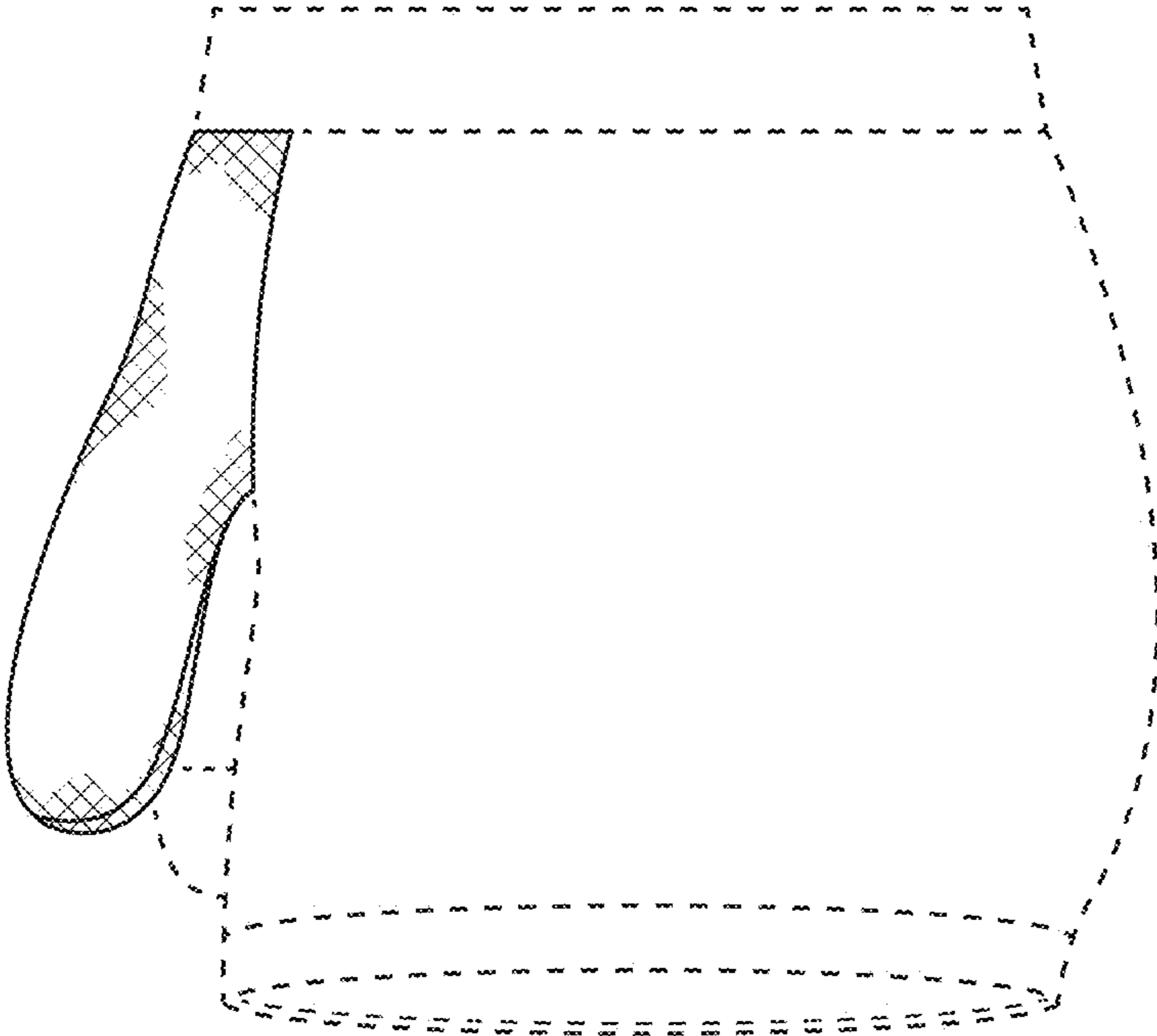


Fig. 4

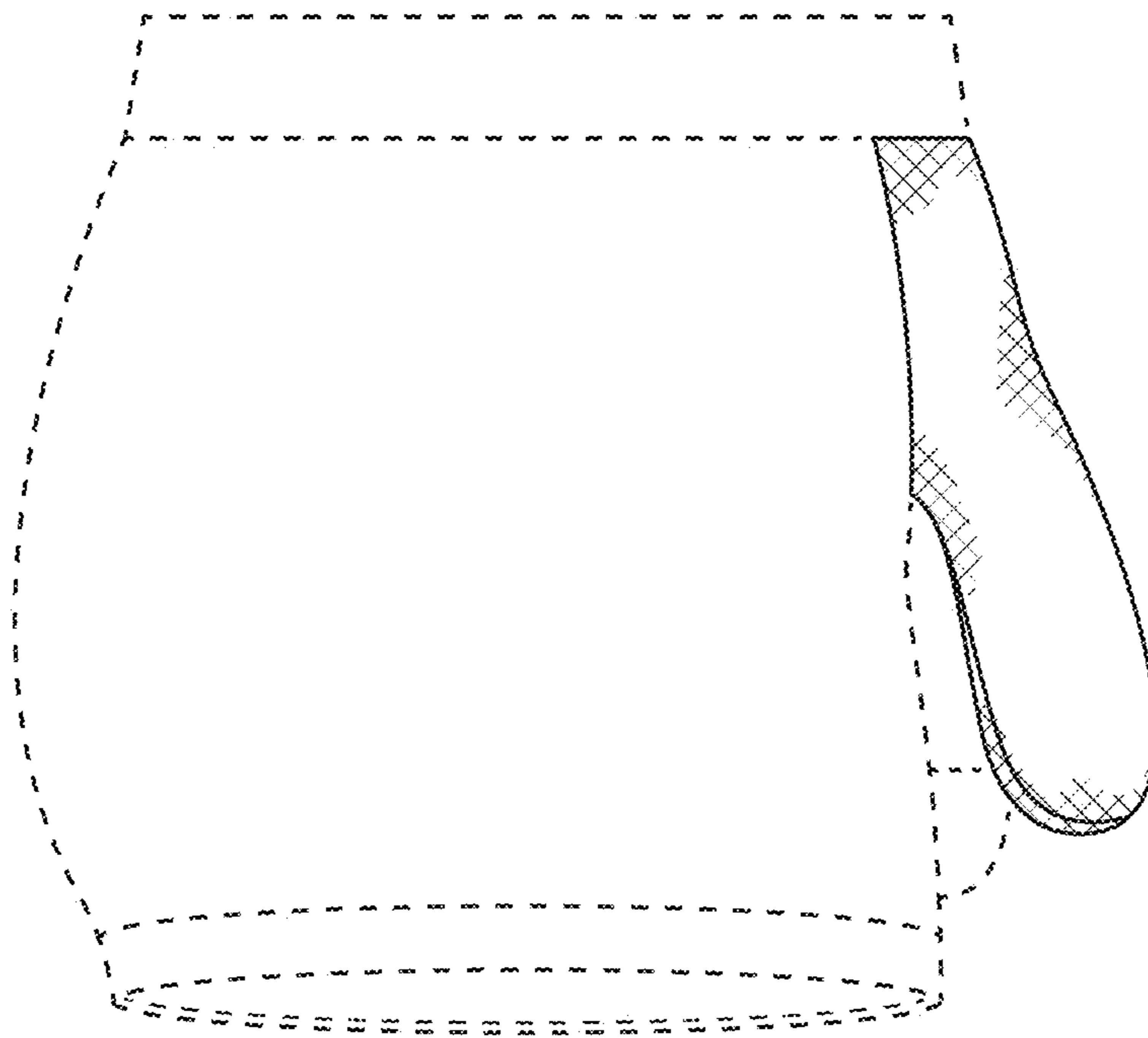


Fig. 5