



US00D910974S

(12) **United States Design Patent**
Hyera

(10) **Patent No.:** **US D910,974 S**

(45) **Date of Patent:** **** Feb. 23, 2021**

- (54) **FLEXIBLE BELT**
- (71) Applicant: **Marianna L. Hyera**, Silver Spring, MD (US)
- (72) Inventor: **Marianna L. Hyera**, Silver Spring, MD (US)
- (**) Term: **15 Years**
- (21) Appl. No.: **29/740,036**
- (22) Filed: **Jun. 30, 2020**

- 4,126,902 A * 11/1978 McKenna A41F 9/002
2/338
- 5,174,097 A * 12/1992 Muratore A41F 9/002
2/311
- D356,516 S * 3/1995 Price A41F 9/002
D10/104.1
- D538,036 S * 3/2007 Buck D3/224
- 8,225,626 B1 * 7/2012 Blau G09F 3/005
63/11
- D707,917 S * 7/2014 James A41F 9/002
D2/627
- D845,813 S * 4/2019 Foster A41F 9/002
D11/3
- D881,742 S * 4/2020 Gruosi-Scheufele
A41F 9/002
D11/79

Related U.S. Application Data

- (63) Continuation-in-part of application No. 29/704,238, filed on Sep. 3, 2019, now Pat. No. Des. 888,368.
- (51) **LOC (13) Cl.** **02-04**
- (52) **U.S. Cl.**
USPC **D2/627**
- (58) **Field of Classification Search**
USPC D2/624-629, 631, 635-640, 720, 815,
D2/838, 859, 894; D3/221, 222, 224,
D3/226; D11/5, 13; D24/190;
D29/101.1, 101.3
CPC A41D 13/1236; A41F 11/02; A41F 11/16;
A41F 3/02; A41F 5/00; A41F 9/02; A41F
9/002; A41F 9/025; A45F 2003/006;
F16G 13/00
See application file for complete search history.

(Continued)

Primary Examiner — Kevin K Rudzinski
Assistant Examiner — Clare Ann Gannon

(57) **CLAIM**

The ornamental design for a flexible belt, as shown and described.

DESCRIPTION

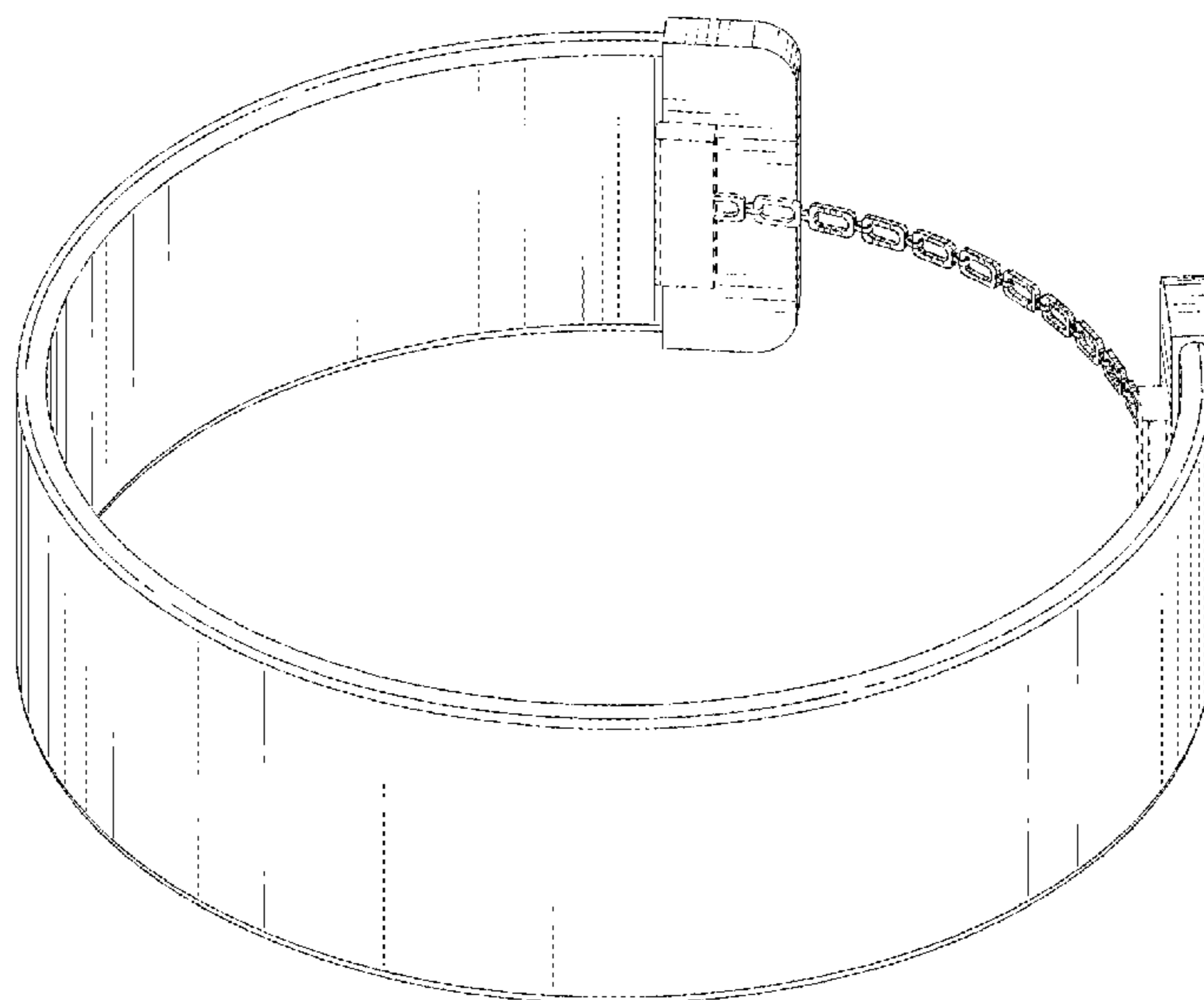
FIG. 1 is a top-front-left perspective view of a flexible belt showing my new design;
 FIG. 2 is a bottom-rear-right perspective view thereof;
 FIG. 3 is a front elevational view thereof;
 FIG. 4 is a rear elevational view thereof;
 FIG. 5 is a top plan view thereof;
 FIG. 6 is a bottom plan view thereof;
 FIG. 7 is a right side elevational view thereof;
 FIG. 8 is a left side elevational view thereof; and,
 FIG. 9 is a cross sectional view taken along line 9-9 in FIG. 2.
 The broken lines showing of chain connections in FIGS. 1-2, 5-6, and 9 are included for the purpose of showing environmental structure and form no part of the claimed design.

(56) **References Cited**

U.S. PATENT DOCUMENTS

- D32,841 S * 6/1900 Sanders A44C 5/0053
D2/631
- D121,956 S * 8/1940 Holstein A41F 9/002
D2/631
- D158,288 S * 4/1950 Jackson G09F 3/005
D2/631
- 2,923,010 A * 2/1960 Borzone A41F 9/002
2/322

1 Claim, 9 Drawing Sheets



(56)

References Cited

U.S. PATENT DOCUMENTS

D888,368 S * 6/2020 Hyera A41F 9/002
D2/627
2013/0025030 A1* 1/2013 Verbakel A41F 11/16
2/311
2019/0029372 A1* 1/2019 Zhang A44C 5/0053

* cited by examiner

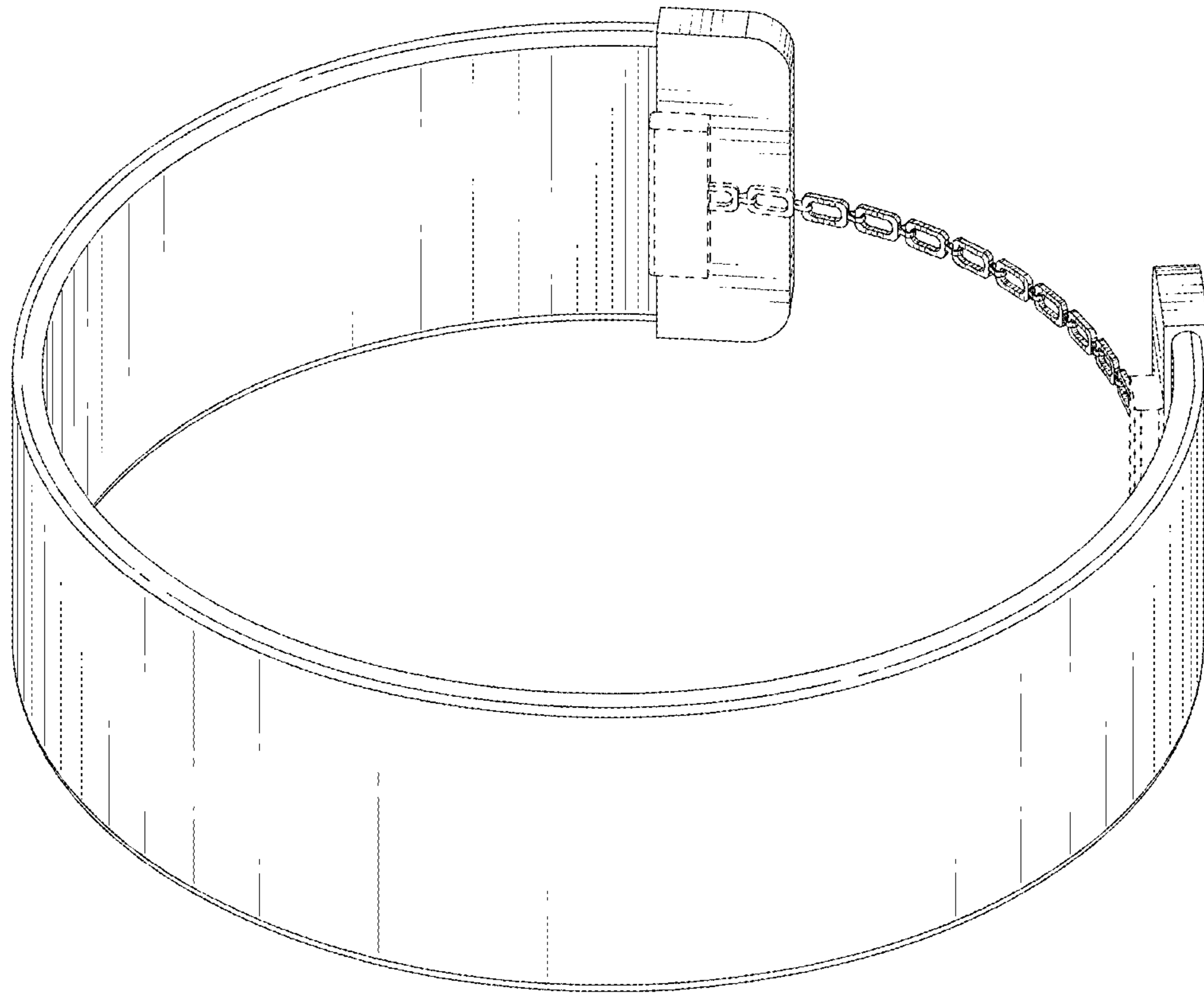


FIG. 1

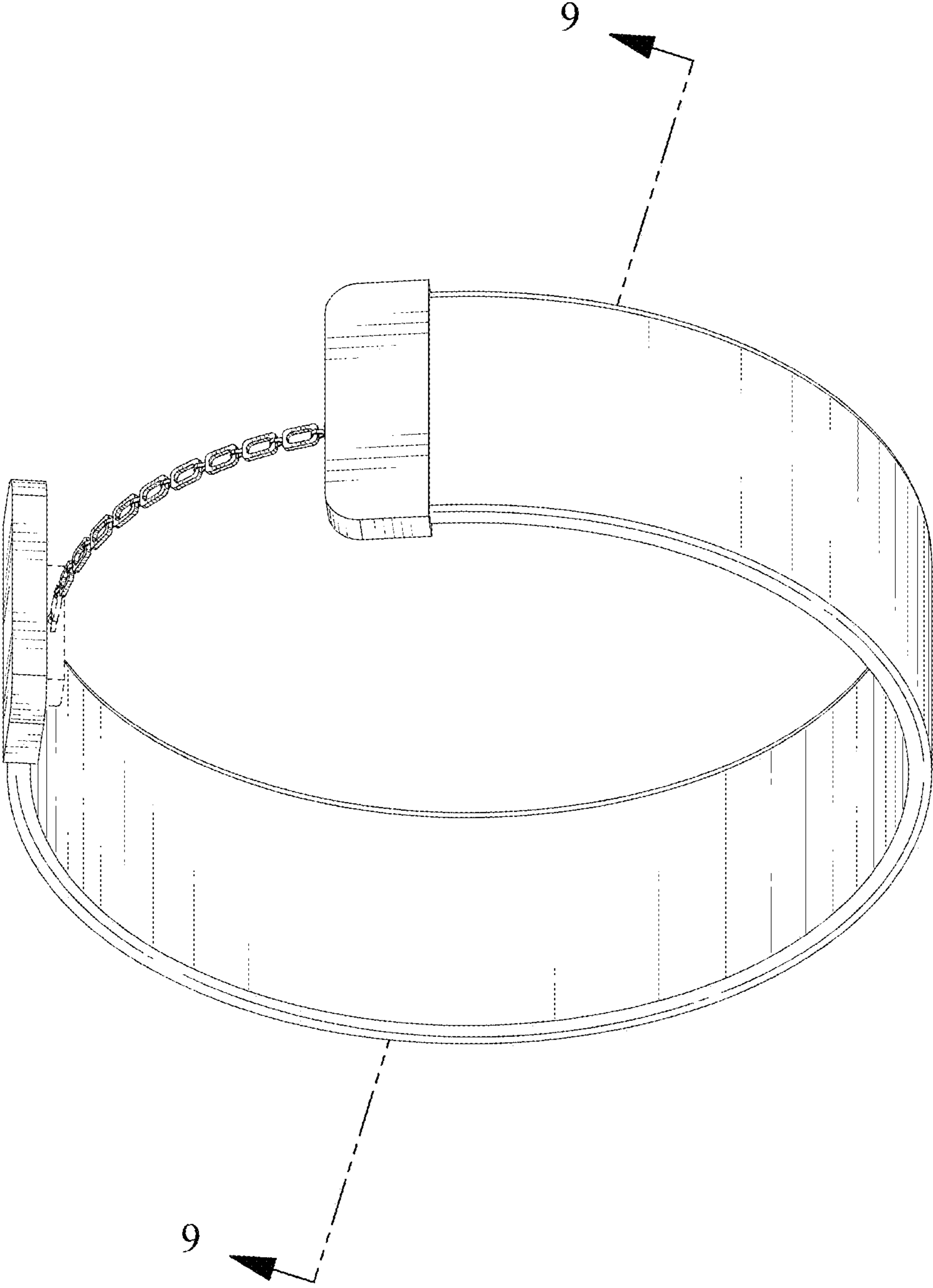


FIG. 2

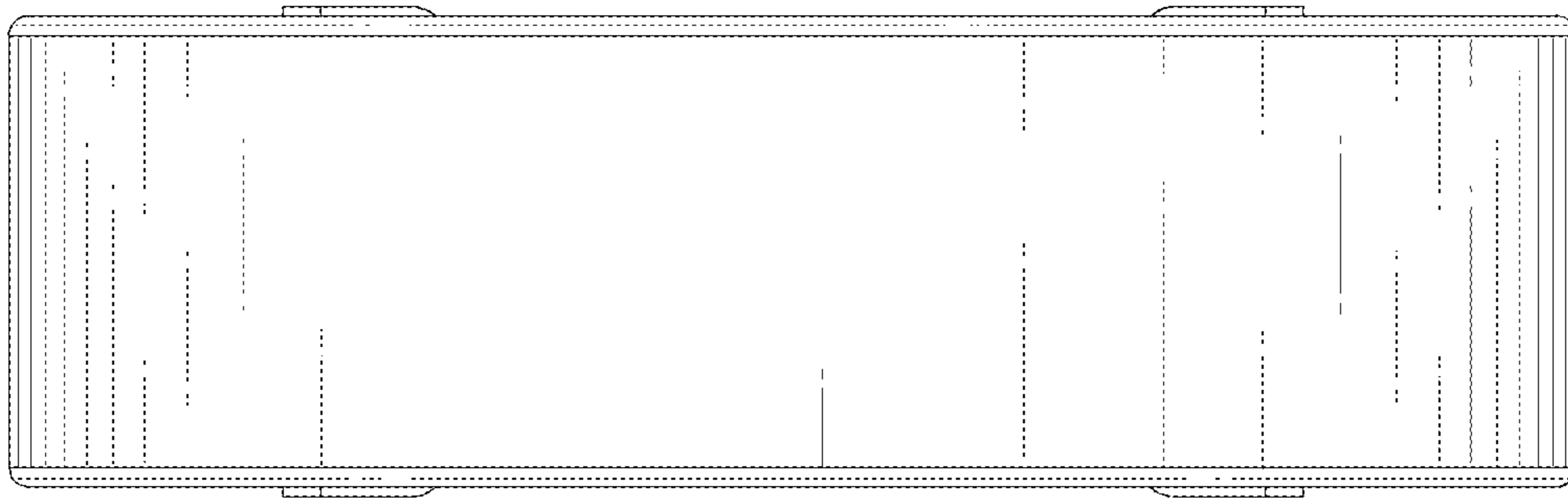


FIG. 3

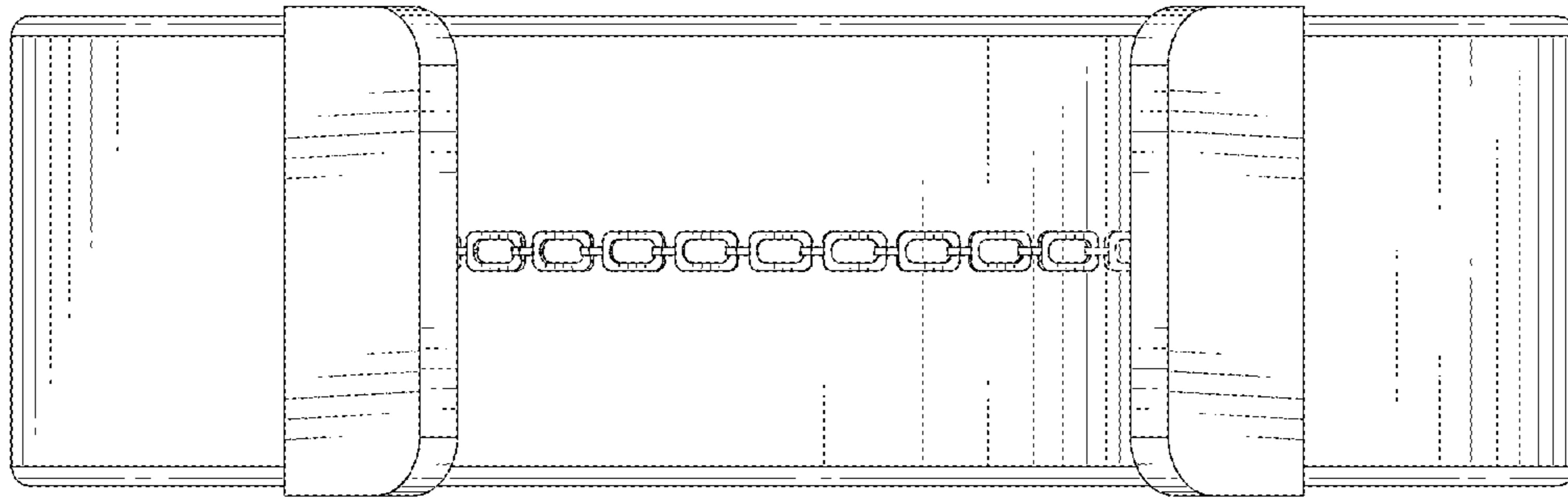


FIG. 4

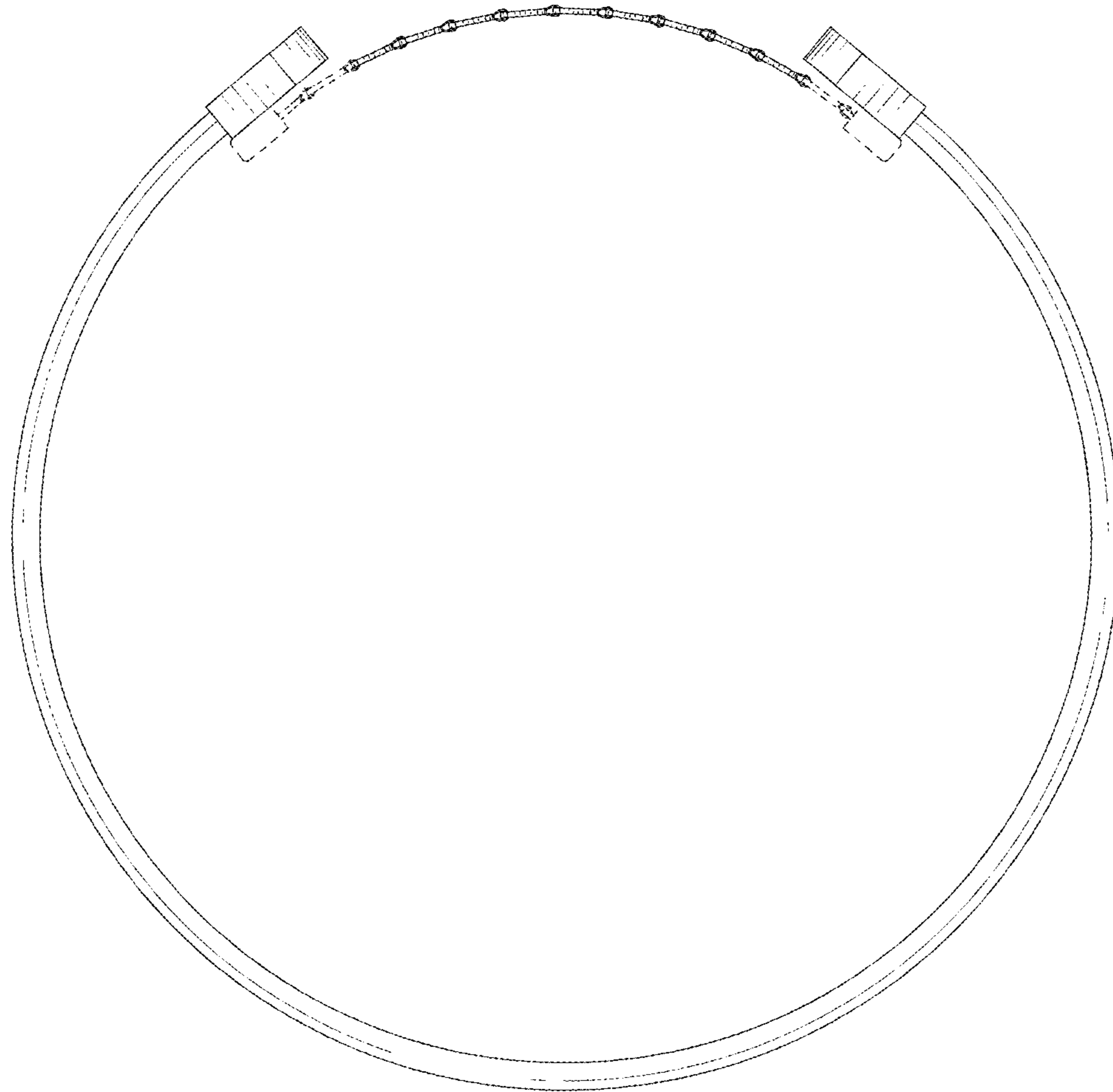


FIG. 5

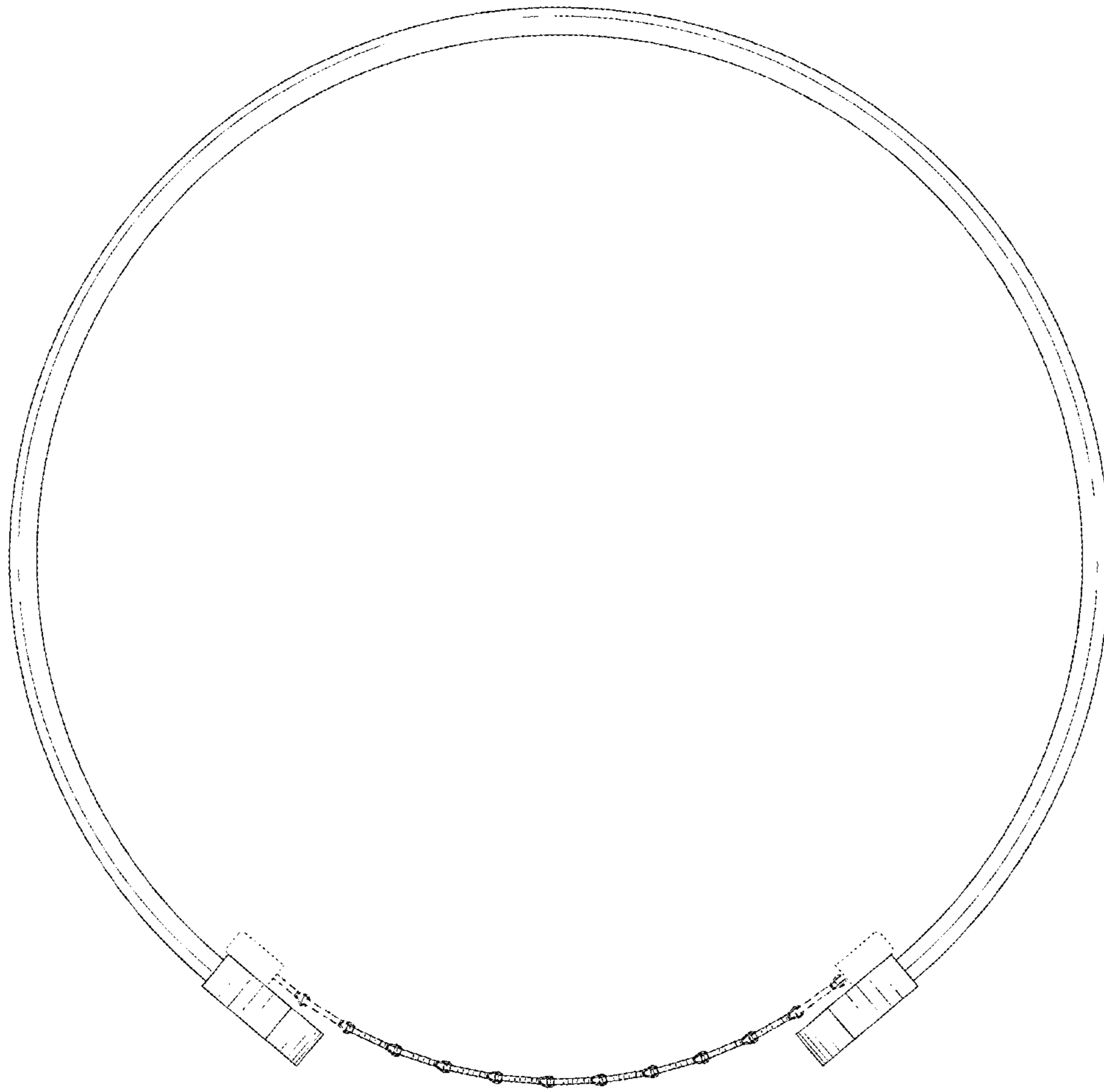


FIG. 6

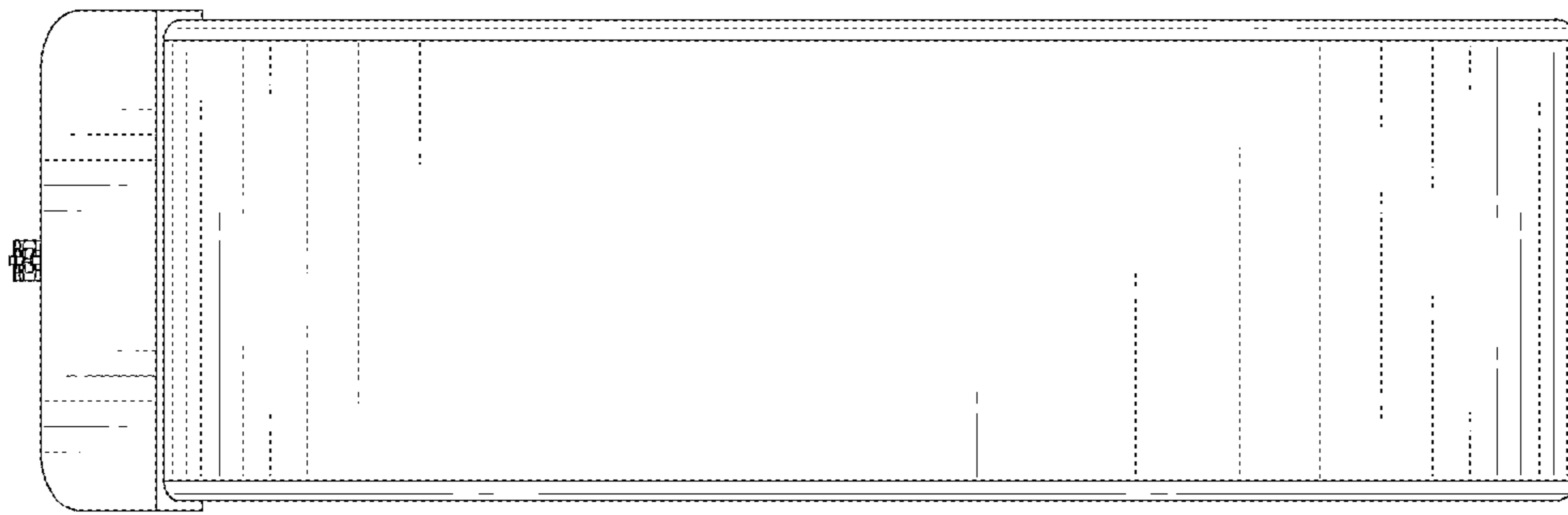


FIG. 7

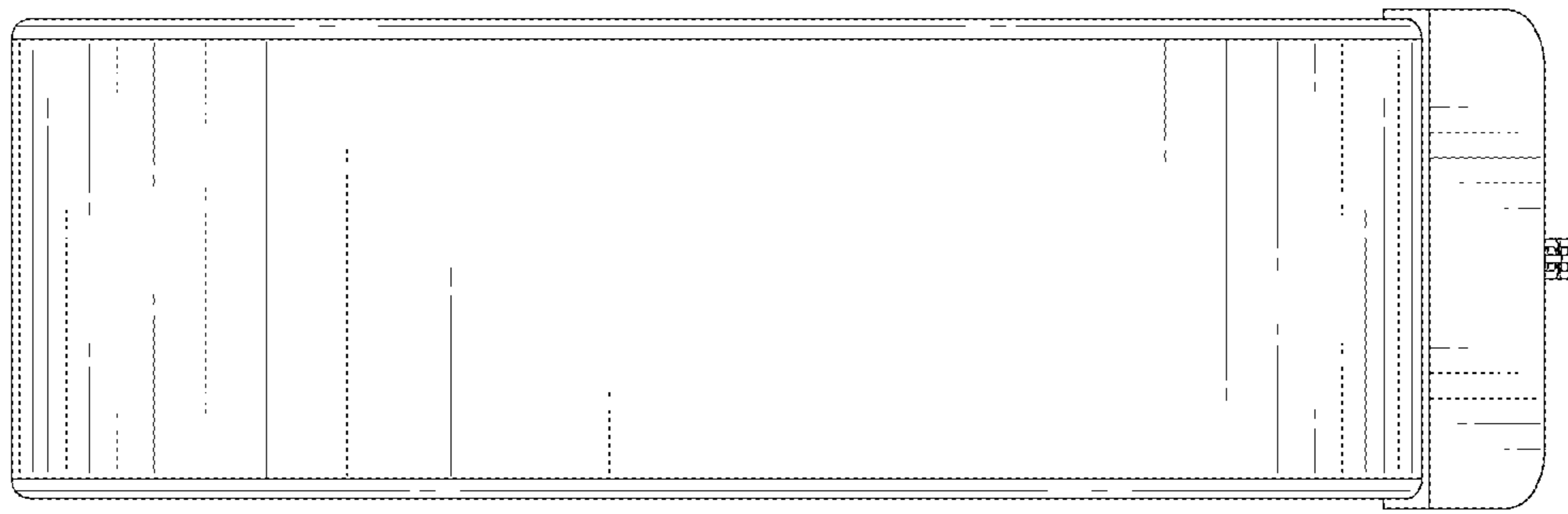


FIG. 8

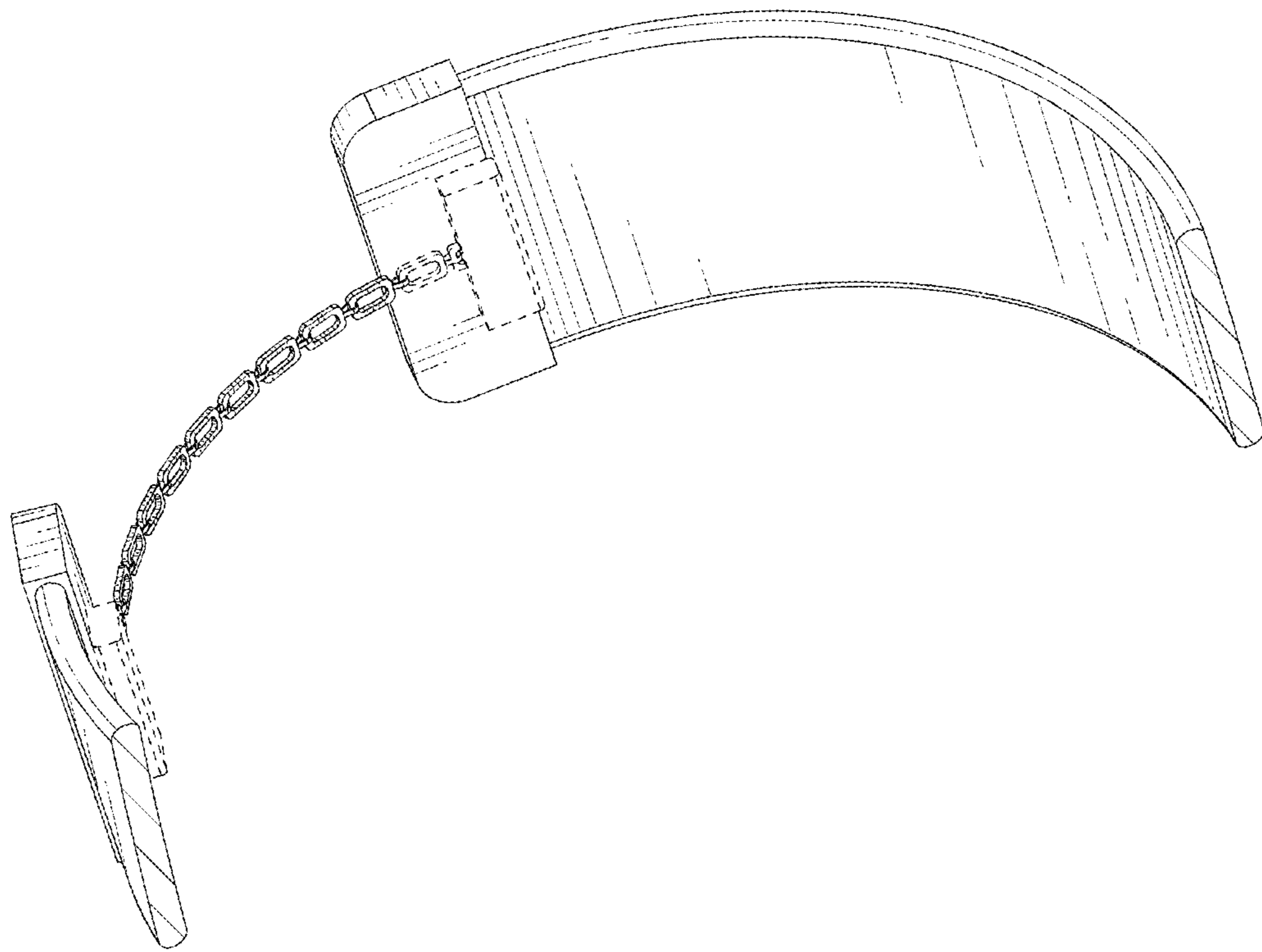


FIG. 9