



US00D910971S

(12) **United States Design Patent** (10) **Patent No.:** **US D910,971 S**
Poorman et al. (45) **Date of Patent:** **** Feb. 23, 2021**

(54) **PET TREAT**
(71) Applicant: **Société des Produits Nestlé S.A.,**
Vevey (CH)
(72) Inventors: **Brandon Poorman**, St. Louis, MO
(US); **Marilyn McGrath**, St. Louis,
MO (US); **Allen Trater**, St. Louis, MO
(US)
(73) Assignee: **Société des Produits Nestlé S.A.,**
Vevey (CH)

(**) Term: **15 Years**

(21) Appl. No.: **29/717,430**

(22) Filed: **Dec. 17, 2019**

(51) **LOC (13) Cl.** **01-01**

(52) **U.S. Cl.**
USPC **D1/199**

(58) **Field of Classification Search**
USPC D1/100–130, 199; 426/104, 108, 138,
426/391, 549, 808, 94, 143, 559, 560;
D11/12, 24, 40, 43, 79, 86, 95;
D24/101–104; 446/118, 128; D21/335,
D21/484, 499, 503; D9/707, 756
CPC A21D 13/0029; A21D 13/0074; A21D
13/0022; A21D 13/0006; A23L 1/1641;
A23L 1/005

See application file for complete search history.

(56) **References Cited**

U.S. PATENT DOCUMENTS

D325,619 S * 4/1992 Casberg D23/207
D473,348 S * 4/2003 Lang D1/199

D515,275 S * 2/2006 Leiweke D1/125
D528,261 S * 9/2006 Mendes D1/122
D532,583 S * 11/2006 Townsend D1/122
D534,706 S * 1/2007 Cuadrado D1/125
D538,506 S * 3/2007 Mendes D1/122
D586,534 S * 2/2009 Oelsner D1/112
D593,277 S * 6/2009 Wylie D1/199
D603,135 S * 11/2009 Unlu D1/199
D603,136 S * 11/2009 Unlu D1/199
D658,847 S * 5/2012 Wylie D1/199
D802,880 S * 11/2017 Mathew D1/128

* cited by examiner

Primary Examiner — Katie Jane Stofko

(74) *Attorney, Agent, or Firm* — Finnegan, Henderson,
Farabow, Garrett & Dunner, LLP

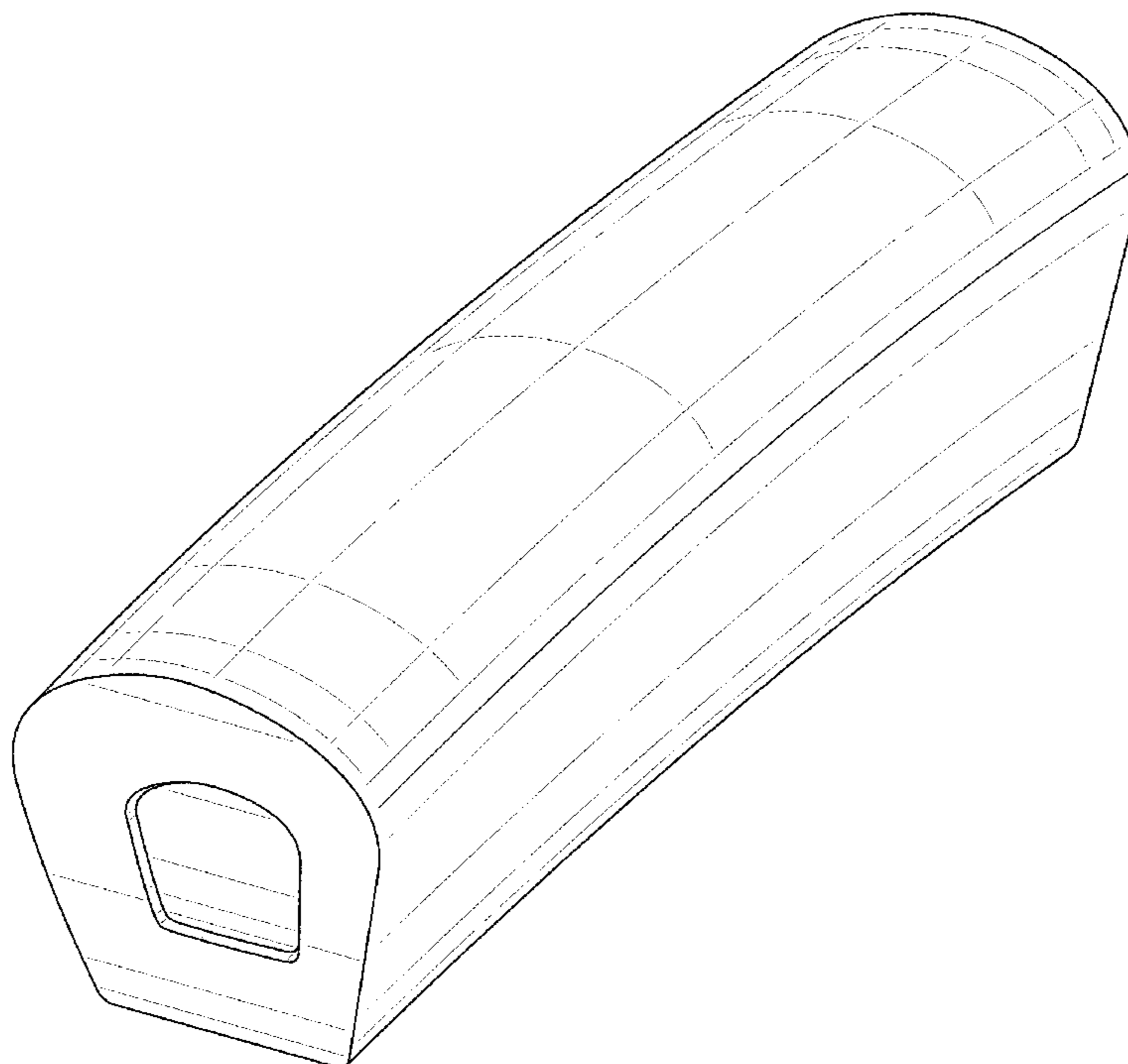
(57) **CLAIM**

The ornamental design for a pet treat, as shown and
described.

DESCRIPTION

FIG. 1 is a top, front, right side perspective view of a pet
treat showing the new design;
FIG. 2 is a front view thereof;
FIG. 3 is a rear view thereof;
FIG. 4 is a left side view thereof;
FIG. 5 is a right side view thereof;
FIG. 6 is a top view thereof; and,
FIG. 7 is a bottom view thereof.

1 Claim, 7 Drawing Sheets



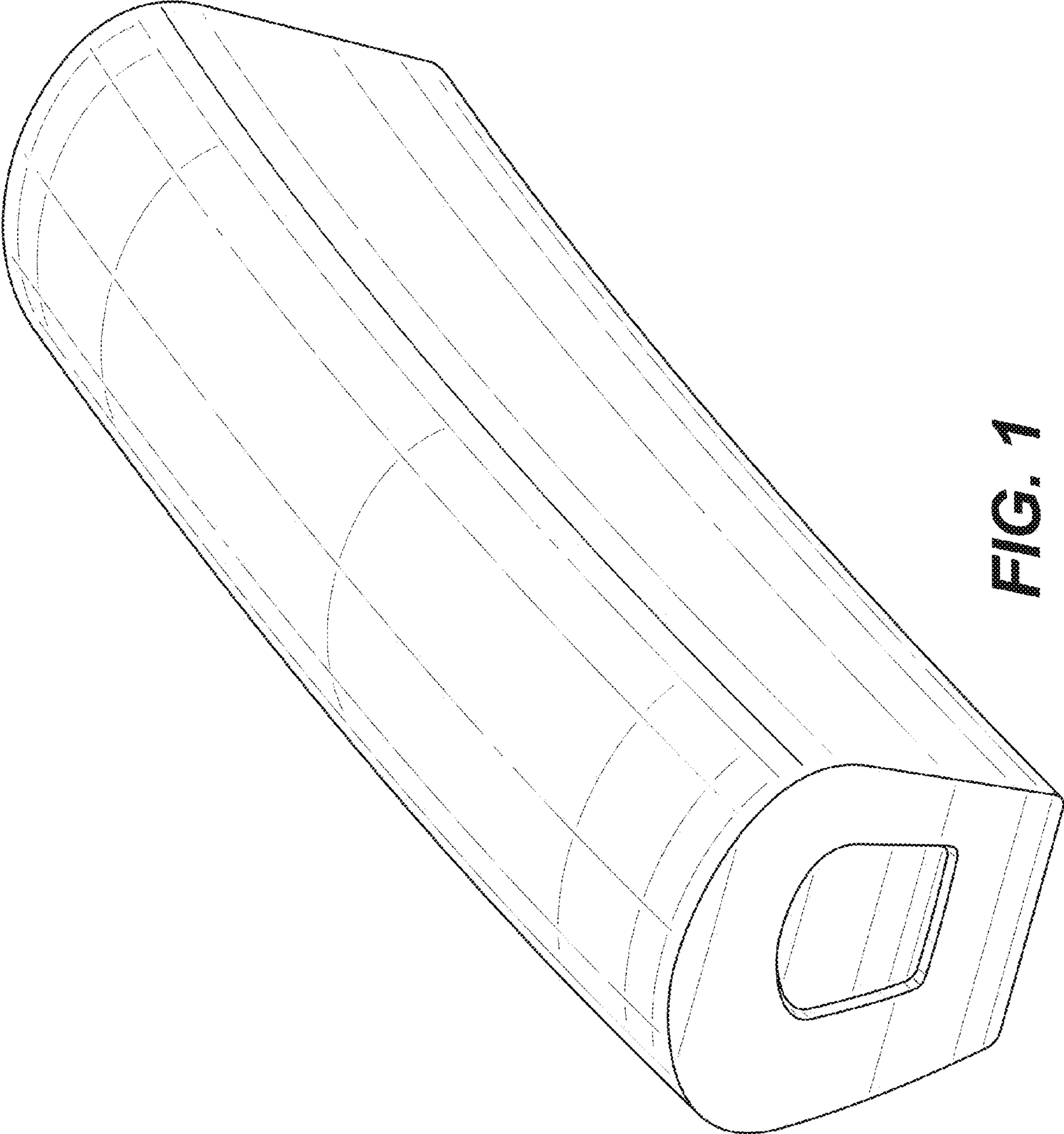


FIG. 1

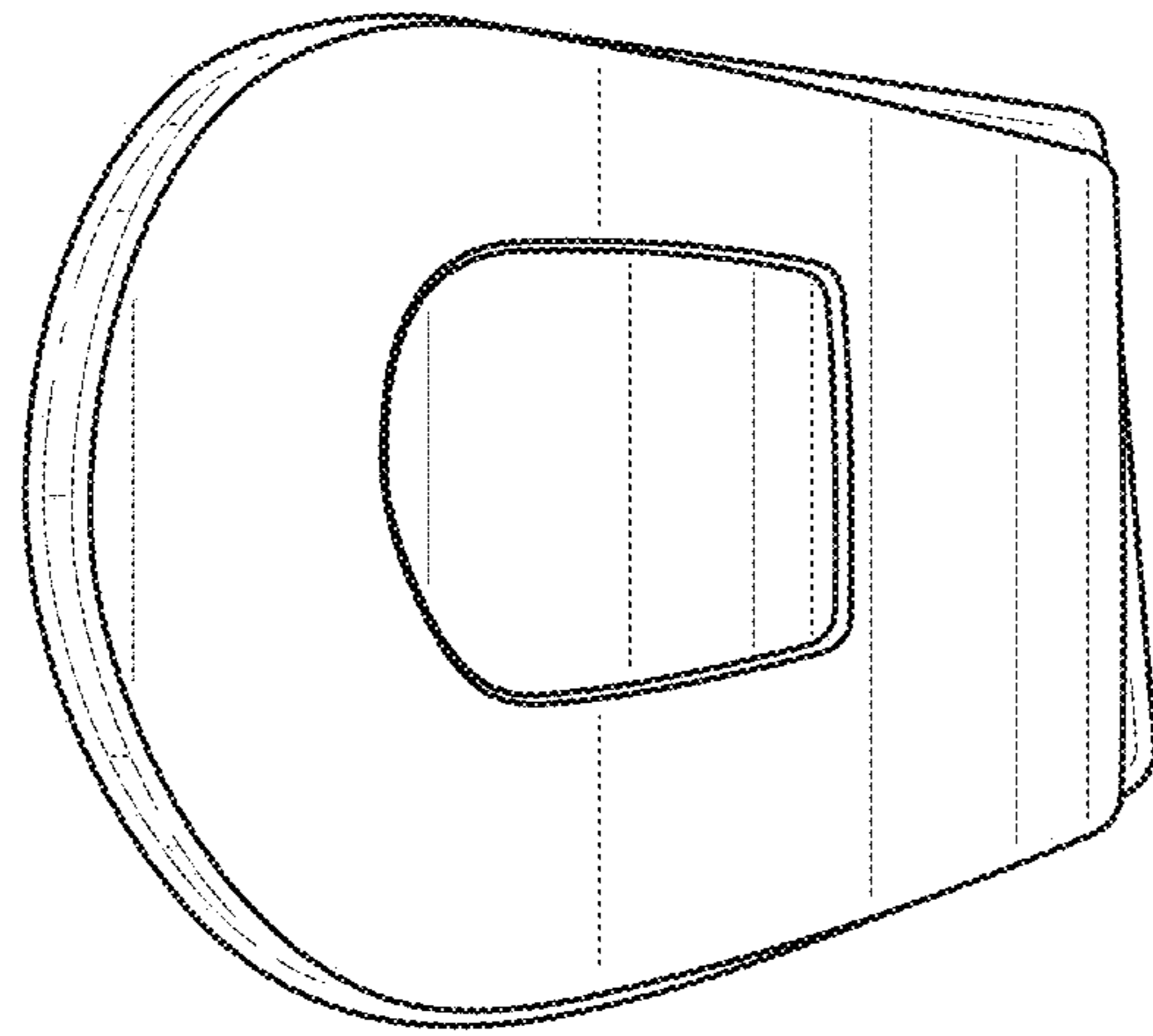


FIG. 2

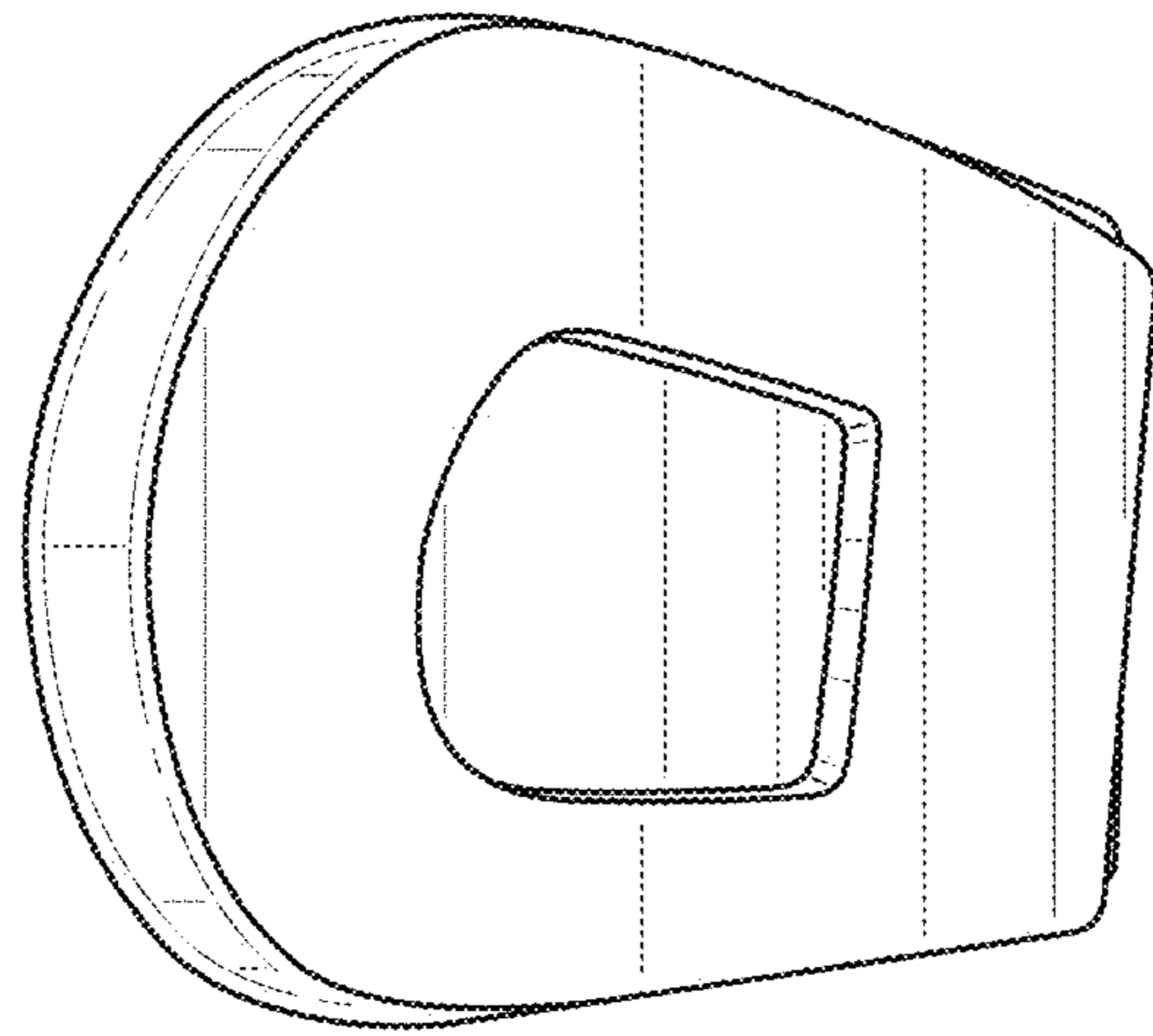


FIG. 3

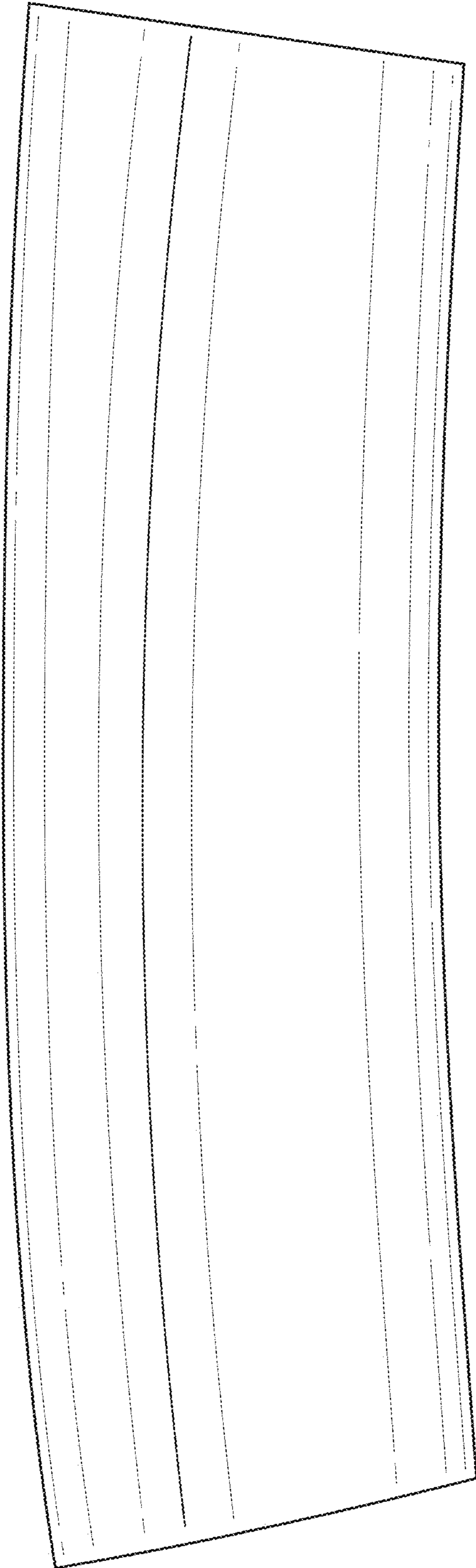


FIG. 4

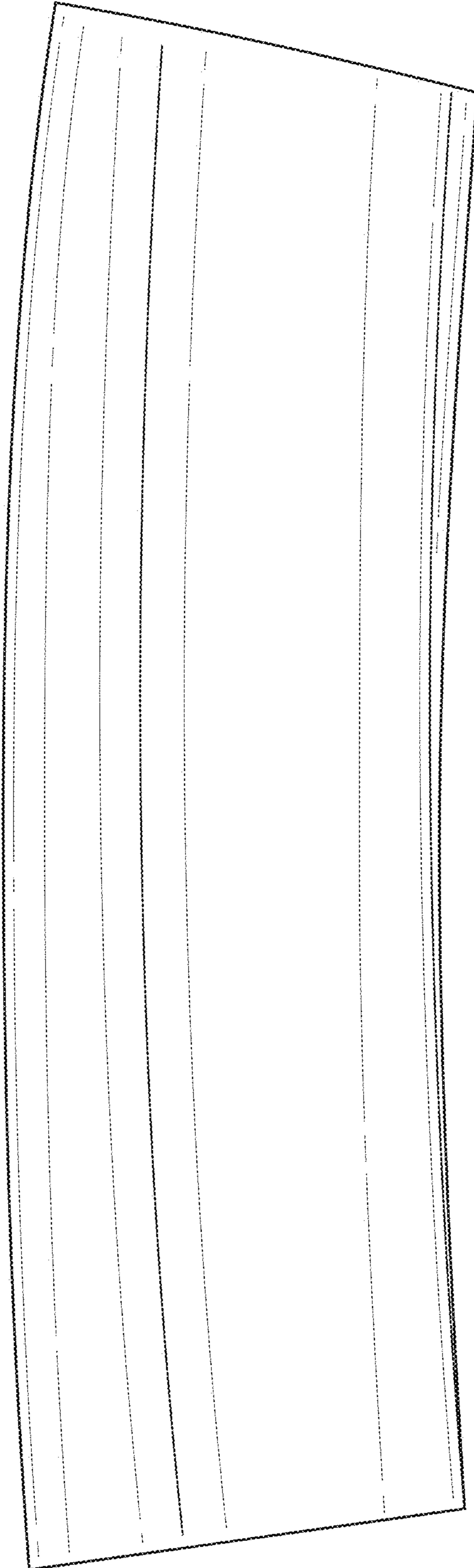


FIG. 5

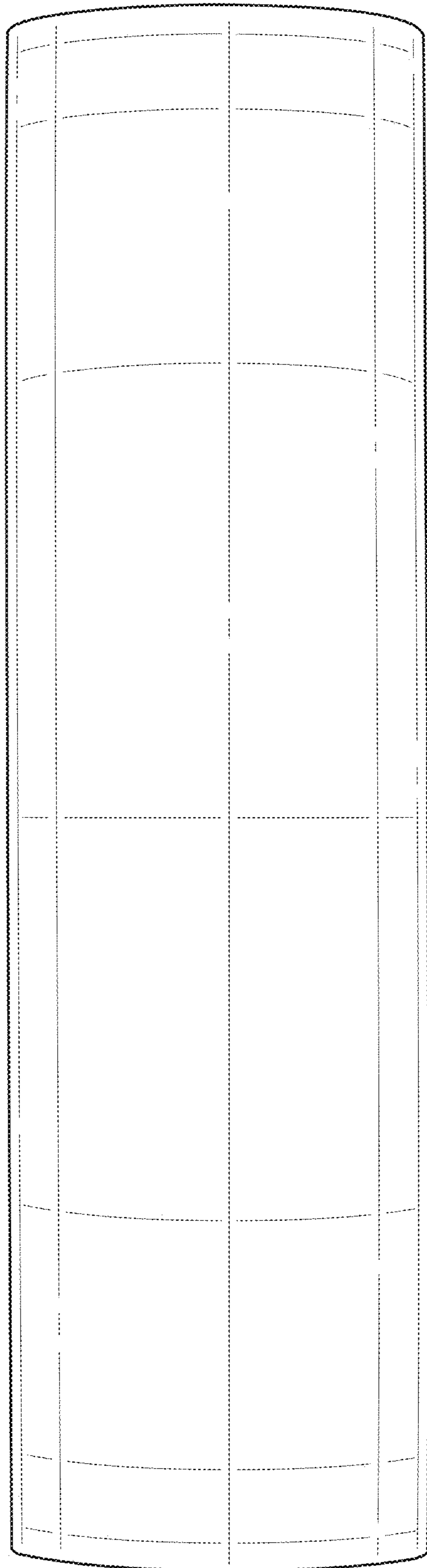


FIG. 6

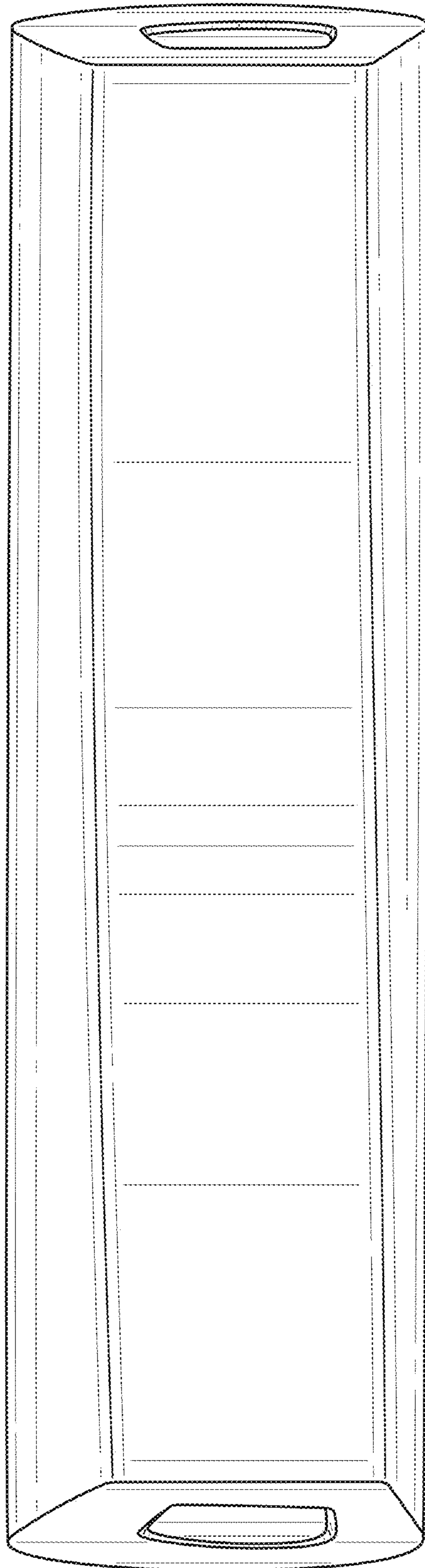


FIG. 7