



US00D910970S

(12) **United States Design Patent** (10) **Patent No.:** **US D910,970 S**  
**Poorman et al.** (45) **Date of Patent:** **\*\* Feb. 23, 2021**

(54) **PET TREAT**

(71) Applicant: **Société des Produits Nestlé S.A.,**  
Vevey (CH)

(72) Inventors: **Brandon Poorman**, St. Louis, MO  
(US); **Marilyn McGrath**, St. Louis,  
MO (US); **Allen Trater**, St. Louis, MO  
(US)

(73) Assignee: **Société des Produits Nestlé S.A.,**  
Vevey (CH)

(\*\*) Term: **15 Years**

(21) Appl. No.: **29/717,420**

(22) Filed: **Dec. 17, 2019**

(51) **LOC (13) Cl.** ..... **01-01**

(52) **U.S. Cl.**  
USPC ..... **D1/125**

(58) **Field of Classification Search**  
USPC ..... D1/100–130, 199; 426/104, 108, 138,  
426/391, 549, 808, 94, 143, 559, 560;  
D11/12, 24, 40, 43, 79, 86, 95;  
D24/101–104; 446/118, 128; D21/335,  
D21/484, 499, 503; D9/707, 756  
CPC ..... A21D 13/0029; A21D 13/0074; A21D  
13/0022; A21D 13/0006; A23L 1/1641;  
A23L 1/005  
See application file for complete search history.

D501,700 S \* 2/2005 Turner ..... D1/127  
D564,708 S \* 3/2008 Kuo ..... D28/85  
D599,672 S \* 9/2009 Carlson ..... D9/542  
D641,537 S \* 7/2011 Evans ..... D1/125  
D685,959 S \* 7/2013 Paculdo ..... D30/160  
D727,738 S \* 4/2015 Lindsay ..... D9/537  
D739,081 S \* 9/2015 James ..... D28/76  
D739,606 S \* 9/2015 DeMarco Staab ..... D28/76  
D859,897 S \* 9/2019 Adams ..... D6/708  
D870,985 S \* 12/2019 Falwell ..... D30/160  
D886,390 S \* 6/2020 Combs ..... D30/127

\* cited by examiner

*Primary Examiner* — Katie Jane Stofko

(74) *Attorney, Agent, or Firm* — Finnegan, Henderson,  
Farabow, Garrett & Dunner, LLP

(57) **CLAIM**

The ornamental design for a pet treat, as shown and described.

**DESCRIPTION**

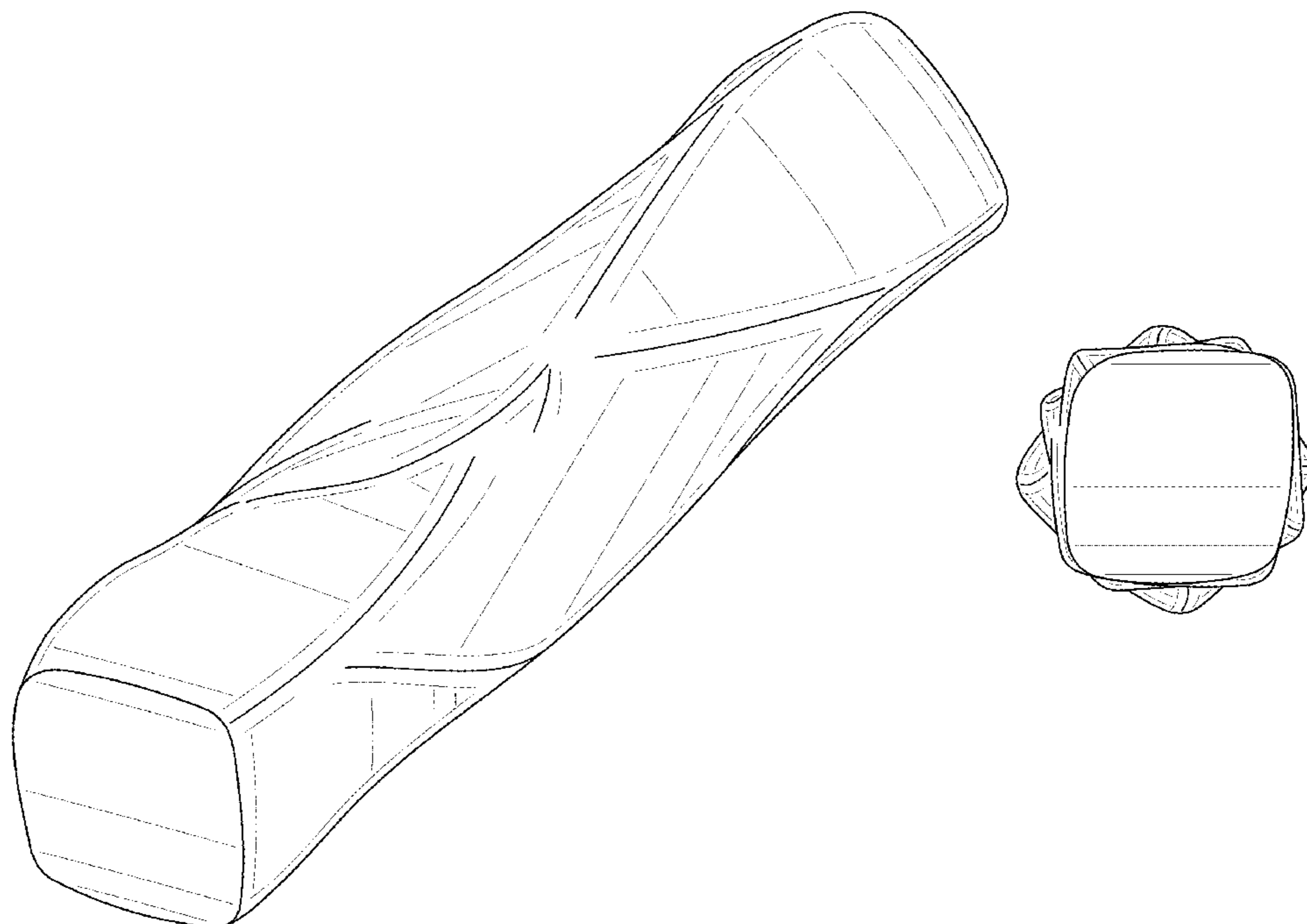
FIG. 1 is a top, front, right side perspective view of a pet treat showing the new design;  
FIG. 2 is a front view thereof;  
FIG. 3 is a rear view thereof;  
FIG. 4 is a left side view thereof;  
FIG. 5 is a right side view thereof;  
FIG. 6 is a top view thereof; and,  
FIG. 7 is a bottom view thereof.

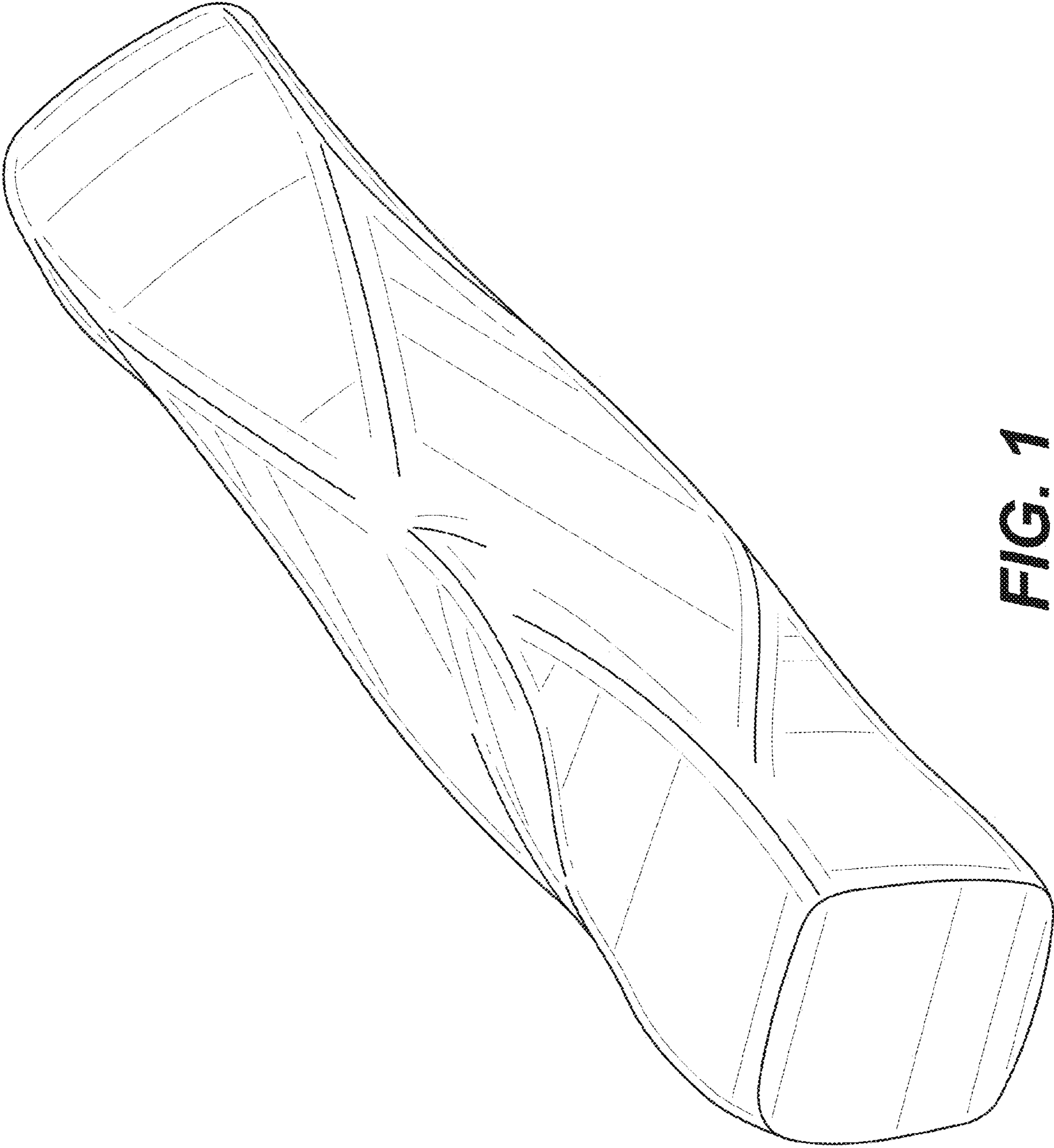
**1 Claim, 7 Drawing Sheets**

(56) **References Cited**

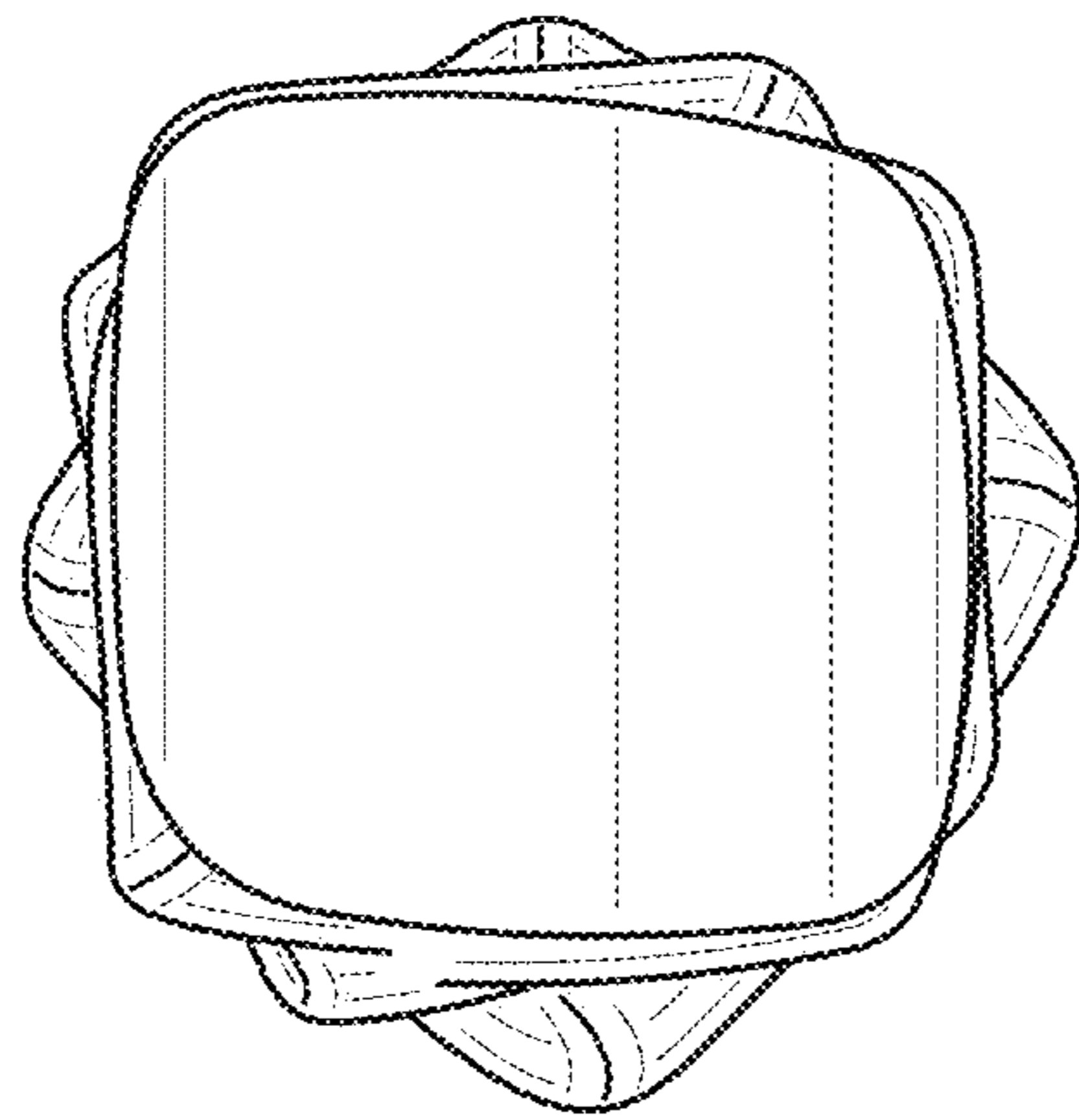
U.S. PATENT DOCUMENTS

D293,492 S \* 12/1987 Kemmerer ..... D28/76  
6,827,041 B2 \* 12/2004 Hague ..... A23K 50/42  
119/709

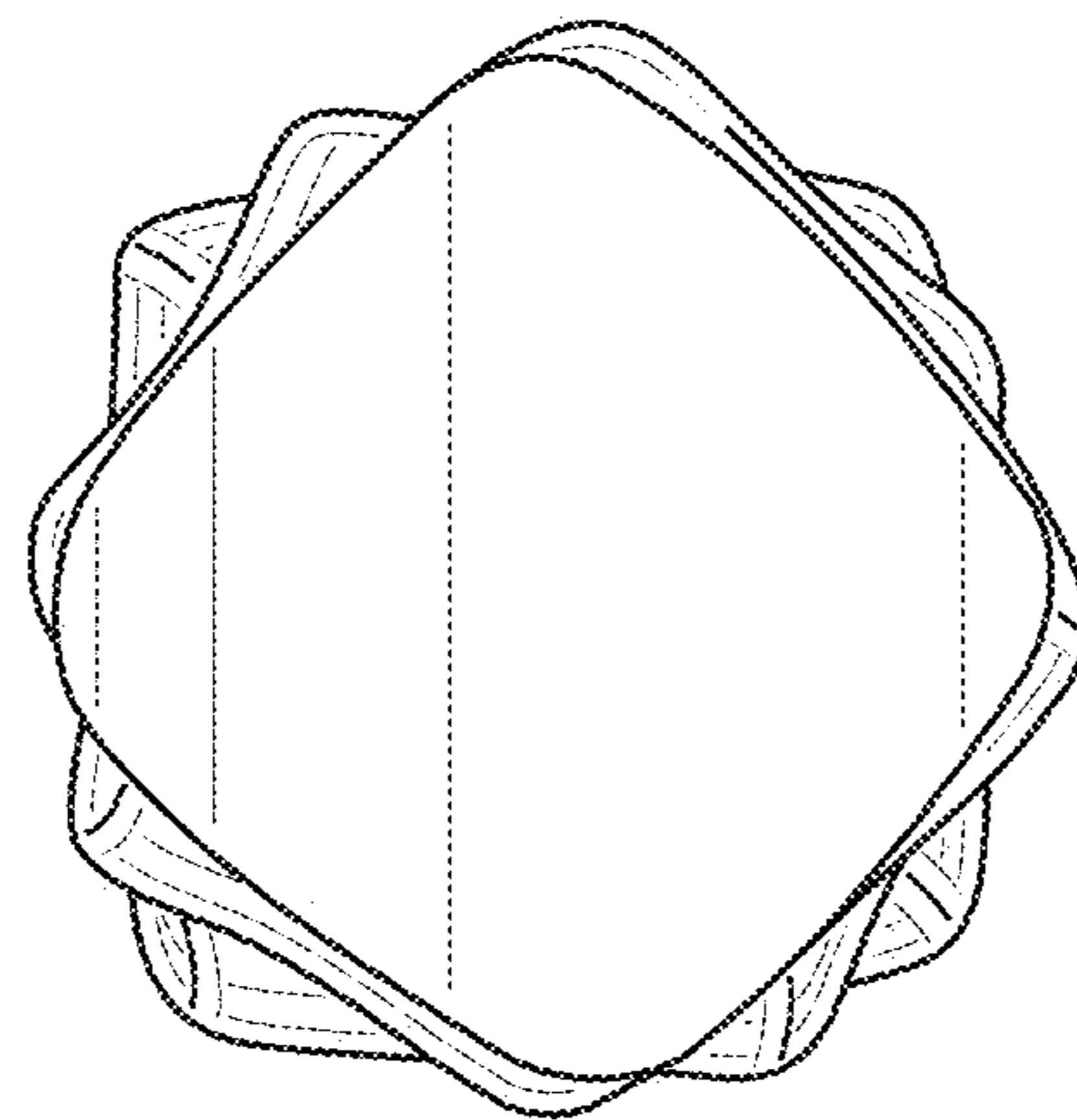




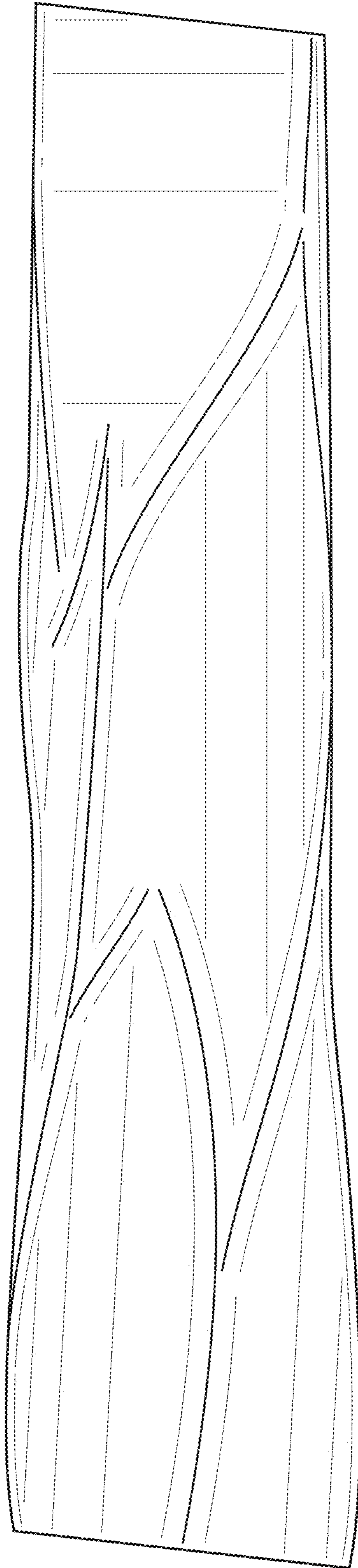
**FIG. 1**



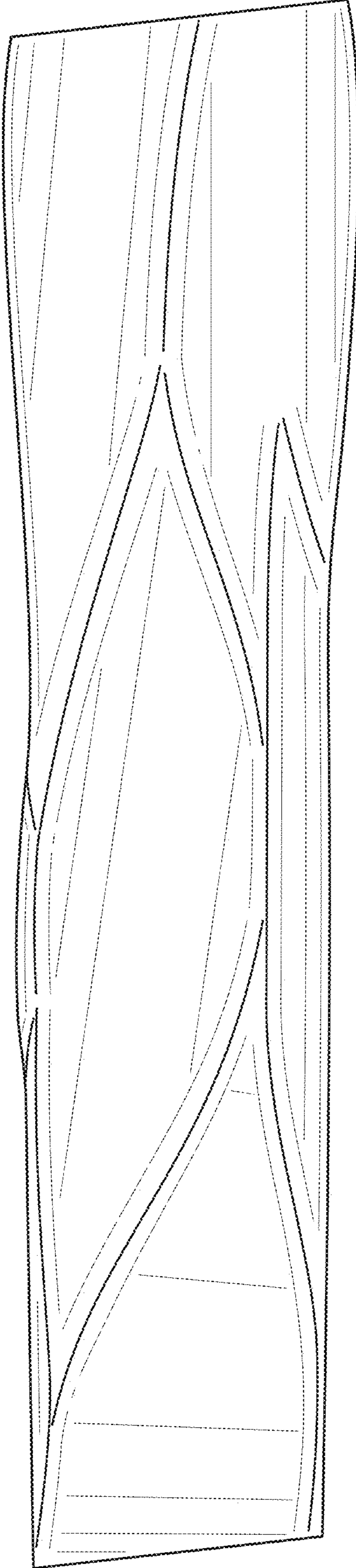
**FIG. 2**



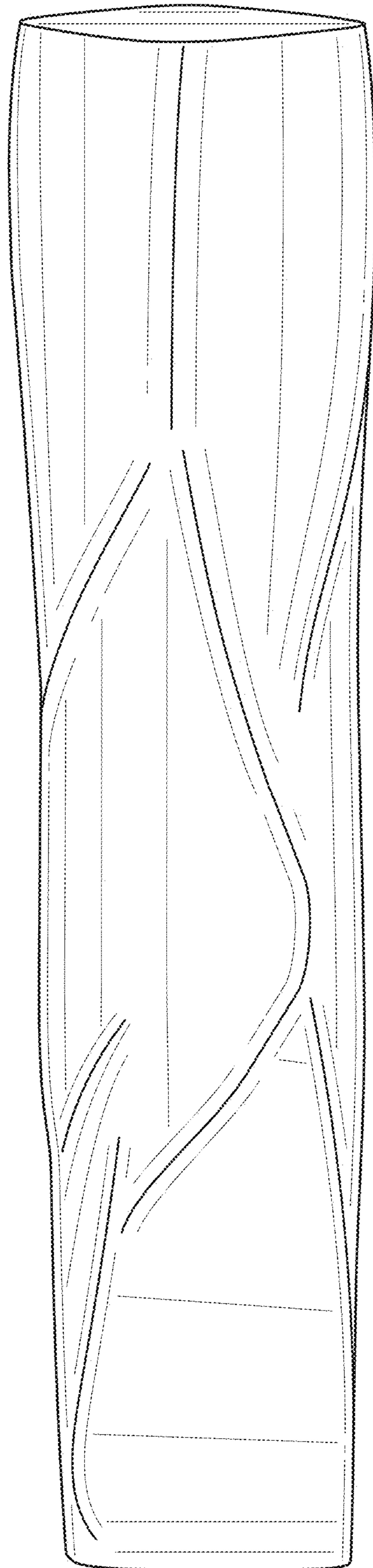
**FIG. 3**



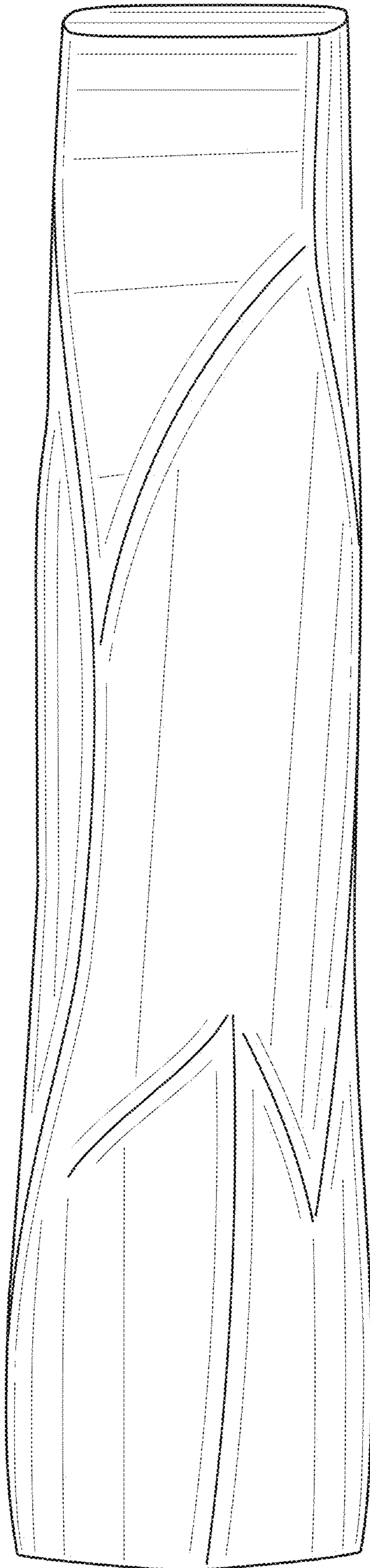
**FIG. 4**



**FIG. 5**



**FIG. 6**



**FIG. 7**