

US00D910964S

(12) **United States Design Patent**
Kim et al.

(10) **Patent No.:** **US D910,964 S**

(45) **Date of Patent:** **** Feb. 16, 2021**

(54) **MODULE PALLET FOR EXHIBIT**

(71) Applicant: **National Museum of Modern and Contemporary Art, Korea, Gwacheon-si (KR)**

(72) Inventors: **Yongju Kim, Seocho-gu (KR); Minhee Lee, Gwacheon-si (KR); Sujin Yang, Yeongdeungpo-gu (KR)**

(73) Assignee: **National Museum of Modern and Contemporary Art, Korea, Gwacheon-si (KR)**

(**) Term: **15 Years**

(21) Appl. No.: **29/700,767**

(22) Filed: **Aug. 6, 2019**

(30) **Foreign Application Priority Data**

Apr. 8, 2019 (KR) 30-2019-0016432

(51) **LOC (13) Cl.** **09-08**

(52) **U.S. Cl.**
USPC **D34/38**

(58) **Field of Classification Search**
USPC D34/28, 29, 30, 31, 32, 33, 34, 35, 36, D34/37, 38; D25/119, 120, 122, 123, D25/124, 125, 126; D8/349, 354, D8/373-377; D9/456
CPC B65D 2519/00; B65D 2519/00273; B65D 2519/00288; B65D 2519/00363; B65D 2519/00069; B65B 65/00; E06B 1/12; E04C 3/00; E04C 3/02; E04C 3/125; E04C 3/127; E04B 1/18; E04B 1/24
See application file for complete search history.

(56) **References Cited**

U.S. PATENT DOCUMENTS

7,487,730 B2 * 2/2009 Hedstrom B65D 19/0095 108/56.3
7,878,127 B2 * 2/2011 Hedstrom B65D 19/0095 108/56.3

D681,904 S * 5/2013 Kessler D34/38
8,850,993 B2 * 10/2014 Storteboom B65D 19/0093 108/51.11
D730,013 S * 5/2015 Miller B65D 19/0095 D34/38
D751,789 S * 3/2016 Cote D34/38
D762,939 S * 8/2016 Johnson D34/38
D781,023 S * 3/2017 Johnson D34/38
D781,523 S * 3/2017 Roberts D34/38
D813,488 S * 3/2018 Leum D34/32

(Continued)

OTHER PUBLICATIONS

Zoro, announced 2020 [online], [site visited Oct. 1, 2020]. Available from internet, URL: <https://www.zoro.com/zoro-select-pallet-block-1-500-lb-36-in-I-32-in-w-05000092/i/G6810185/> (Year: 2020).*

(Continued)

Primary Examiner — George A Bugg
Assistant Examiner — Tamara L Hahn

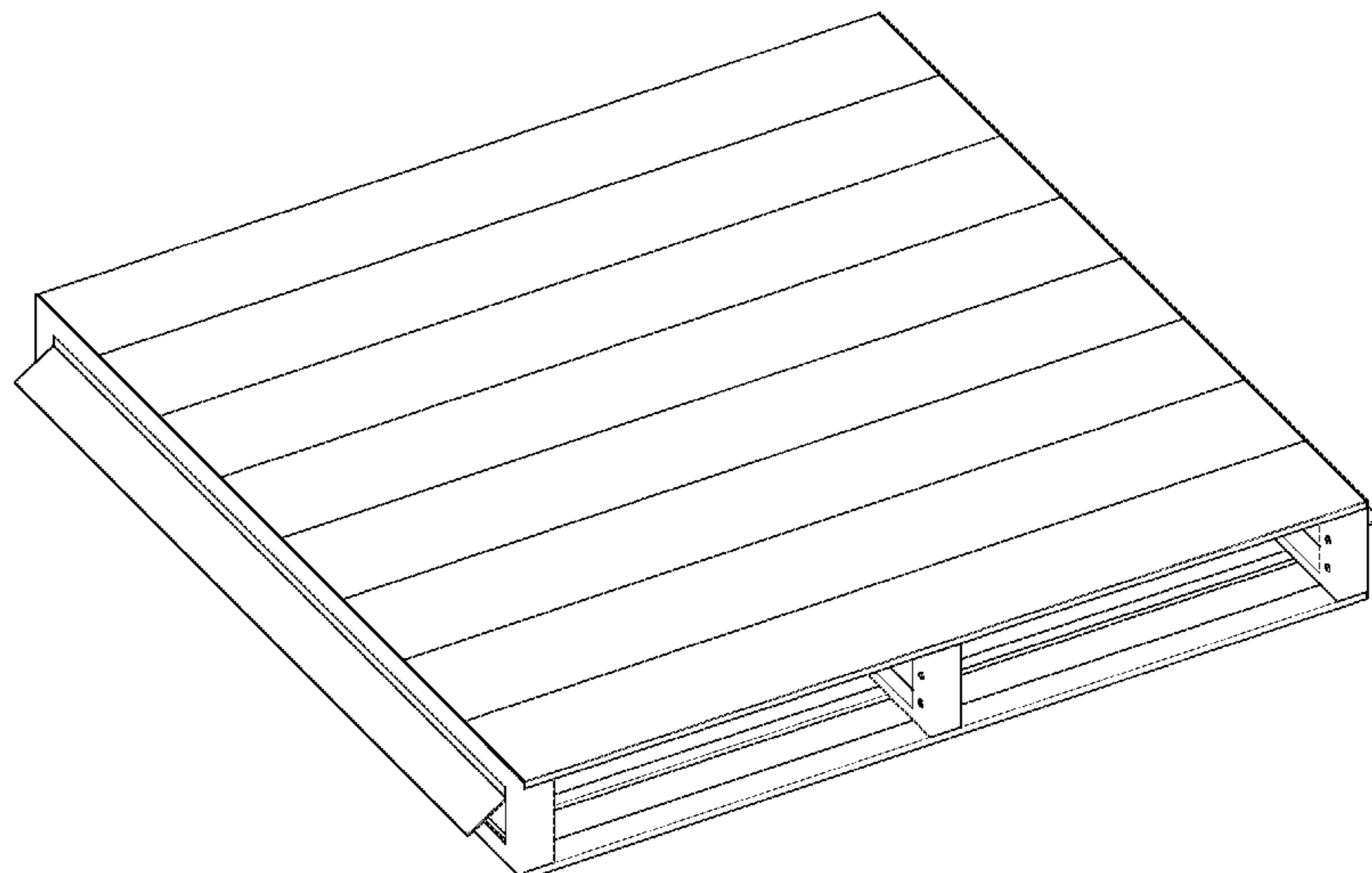
(57) **CLAIM**

The ornamental design for a module pallet for exhibit, as shown and described.

DESCRIPTION

FIG. 1 is a top perspective view of a module pallet for exhibit, showing our new design;
FIG. 2 is a bottom perspective view thereof;
FIG. 3 is a front elevational view thereof;
FIG. 4 is a rear elevational view thereof;
FIG. 5 is a top plan view thereof;
FIG. 6 is a bottom plan view thereof;
FIG. 7 is a left side elevational view thereof;
FIG. 8 is a right side elevational view thereof; and,
FIG. 9 is a top perspective view in an alternate position.

1 Claim, 9 Drawing Sheets



(56)

References Cited

U.S. PATENT DOCUMENTS

D816,939 S * 5/2018 Blosser D34/38
D824,133 S * 7/2018 Hawley D34/38
D869,813 S * 12/2019 Heiberger D34/38
10,710,769 B2 * 7/2020 Hawley B65D 19/0095

OTHER PUBLICATIONS

Grainger, announced 2020 [online], [site visited Oct. 1, 2020].
Available from internet, URL: <https://www.grainger.com/product/33W753> (Year: 2020).*

* cited by examiner

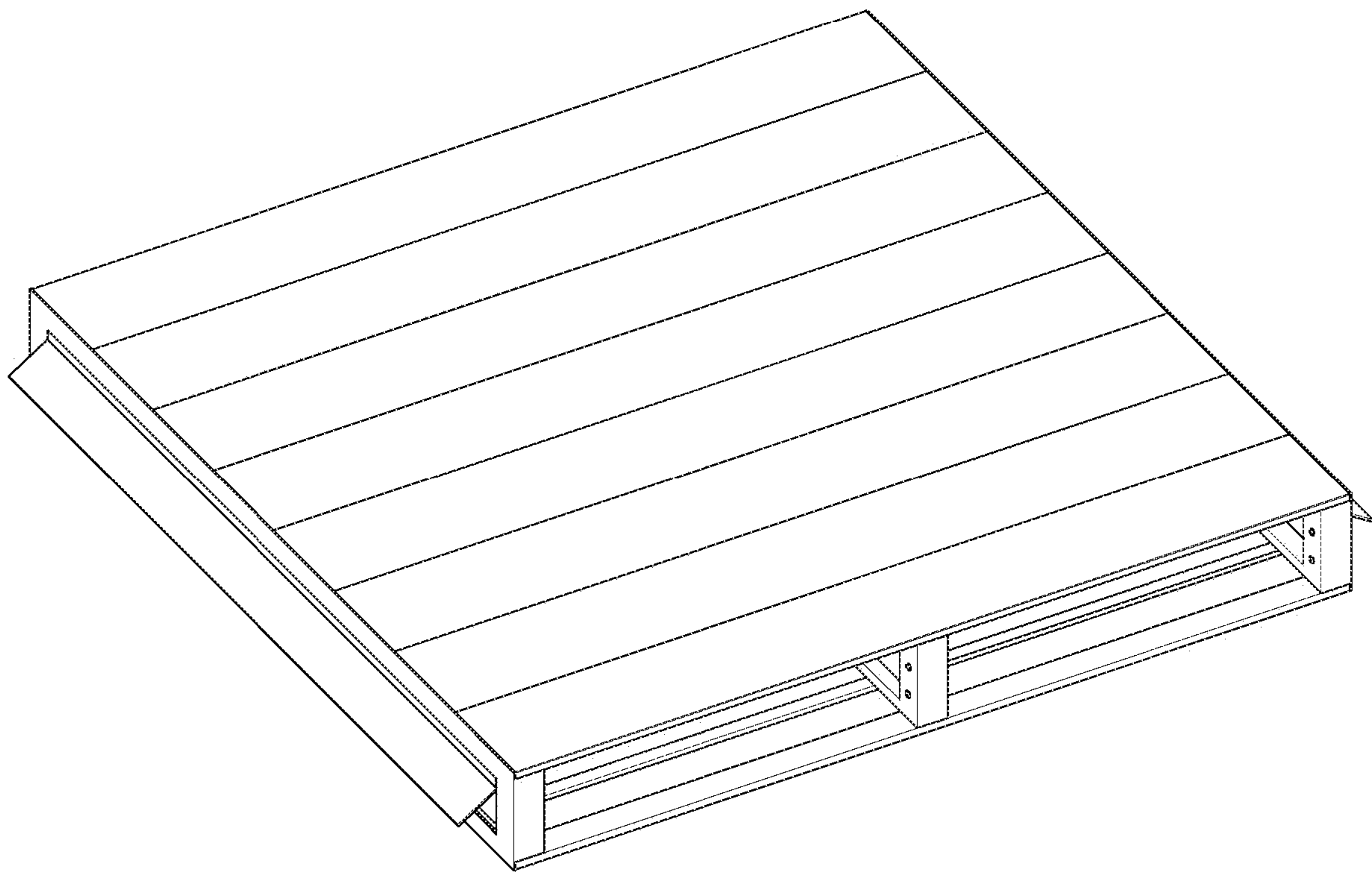


FIG. 1

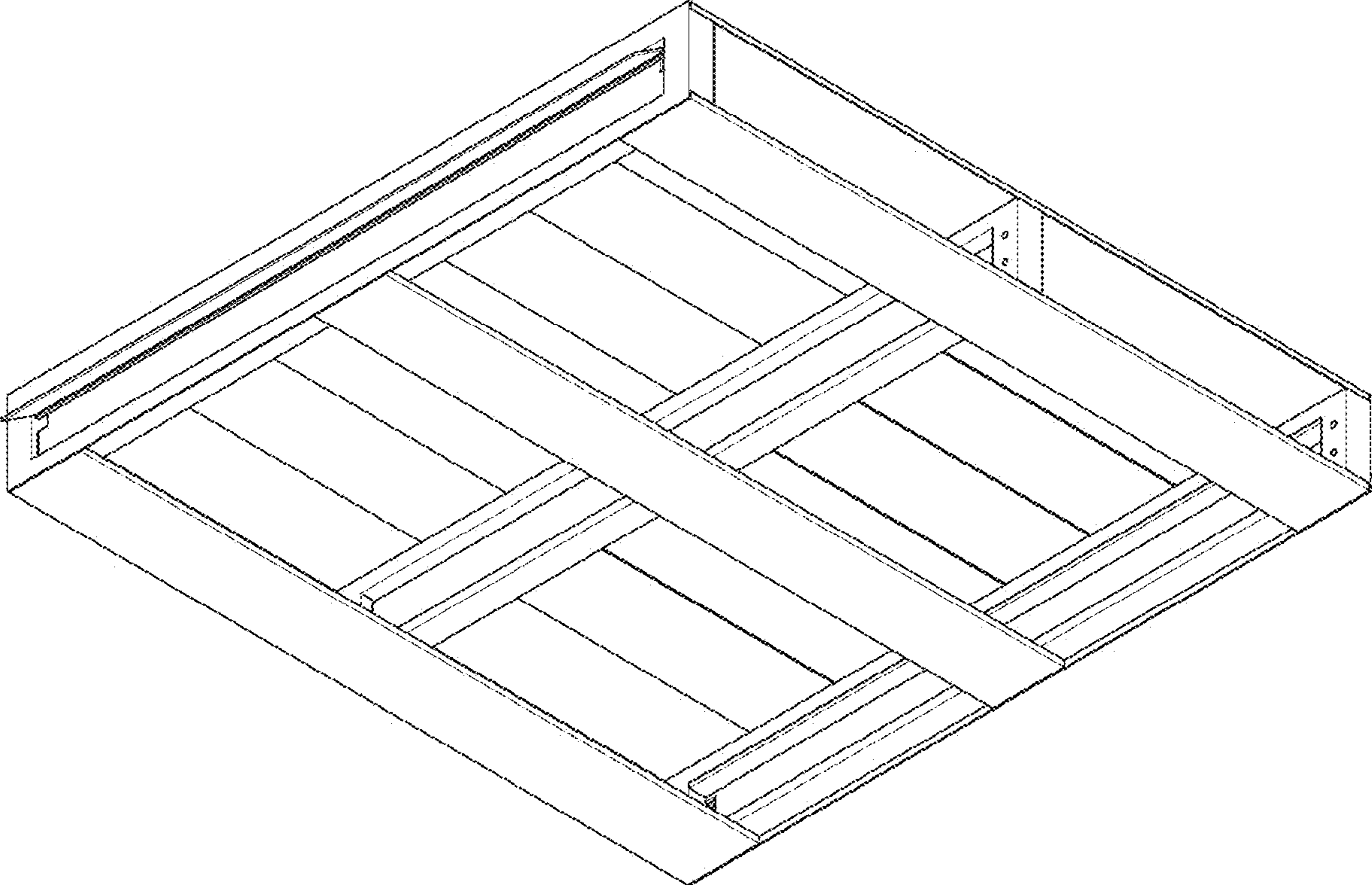


FIG. 2

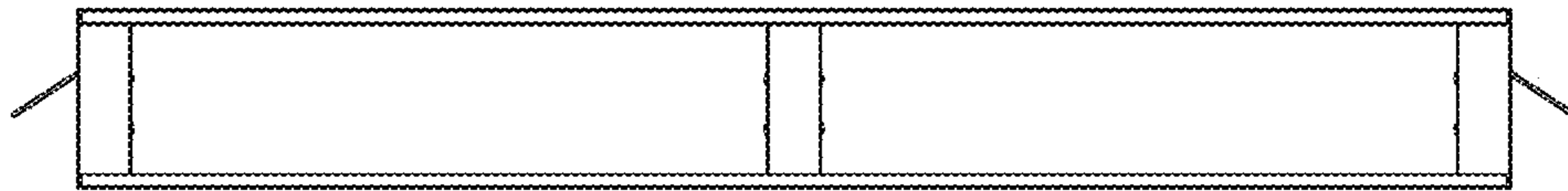


FIG. 3

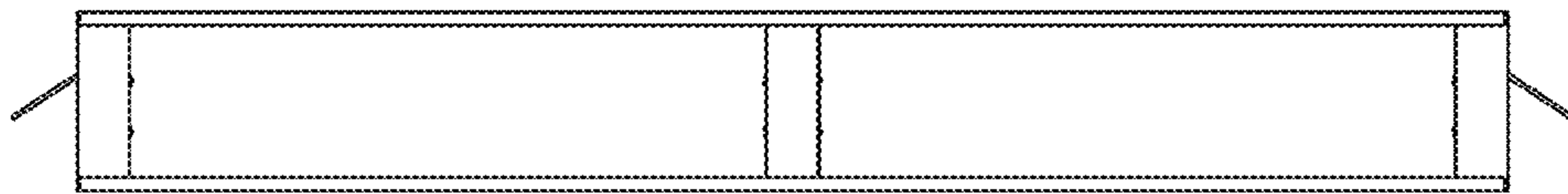


FIG. 4

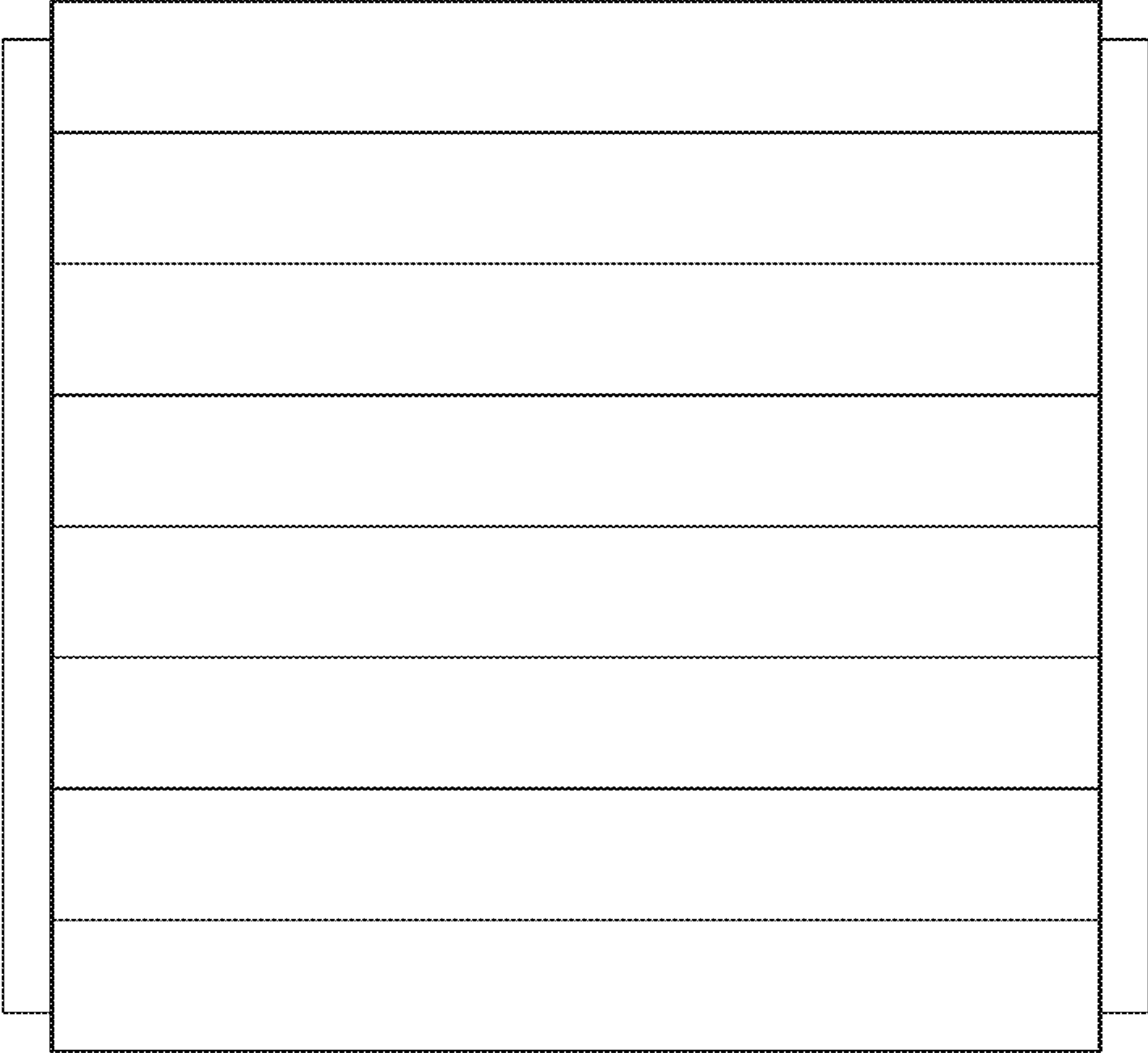


FIG. 5

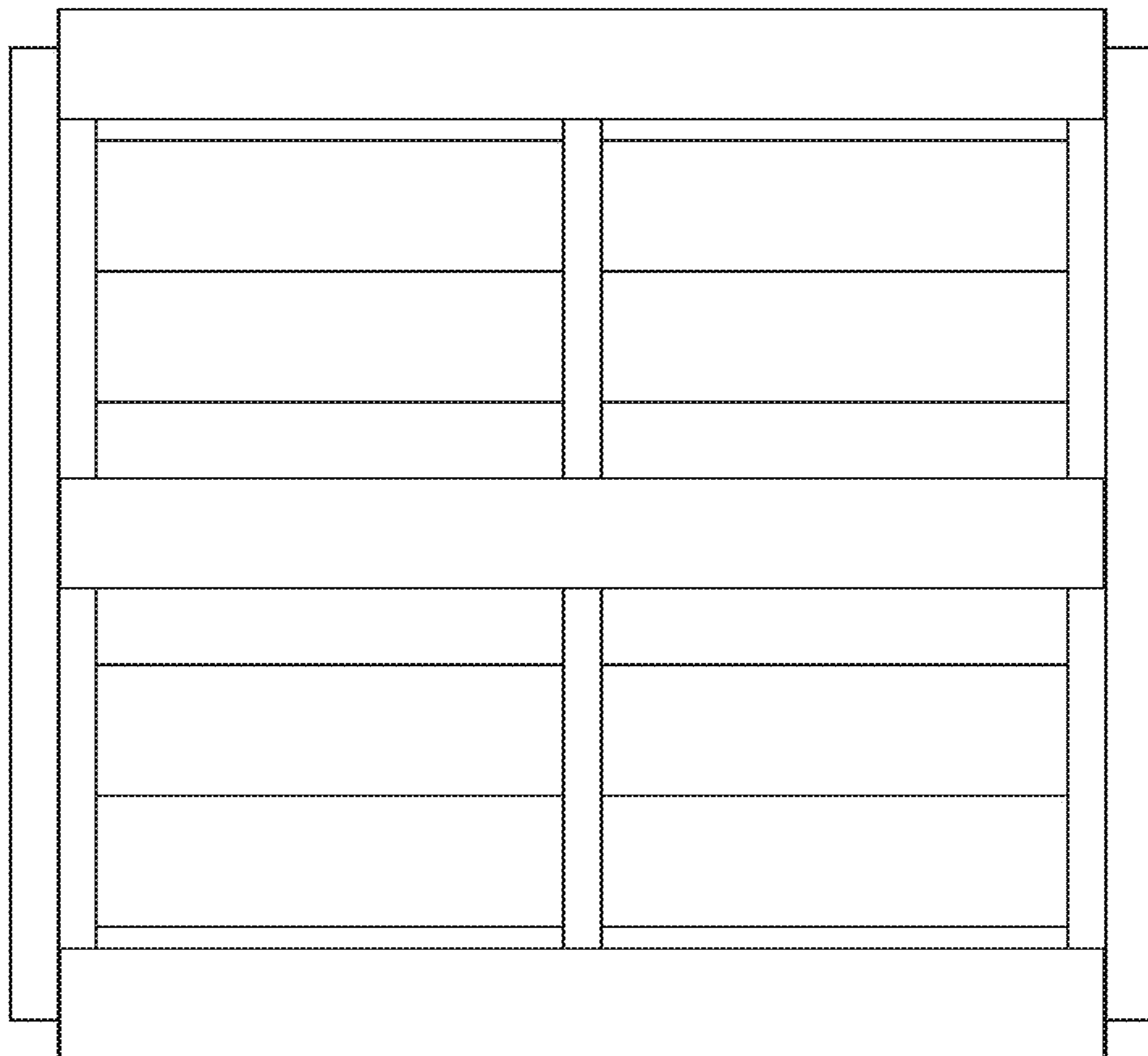


FIG. 6

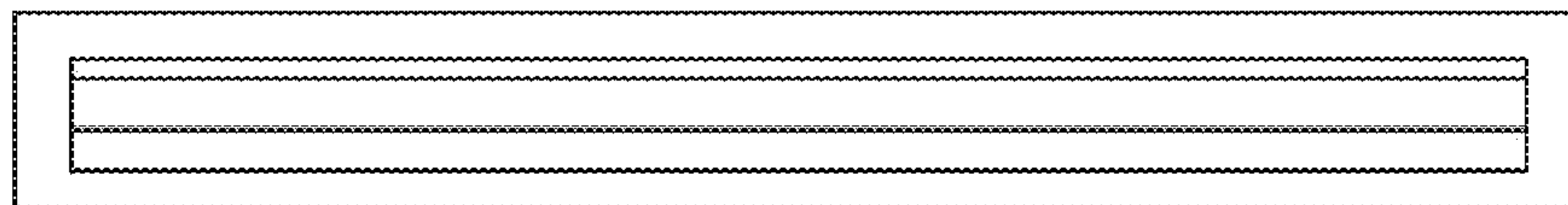


FIG. 7

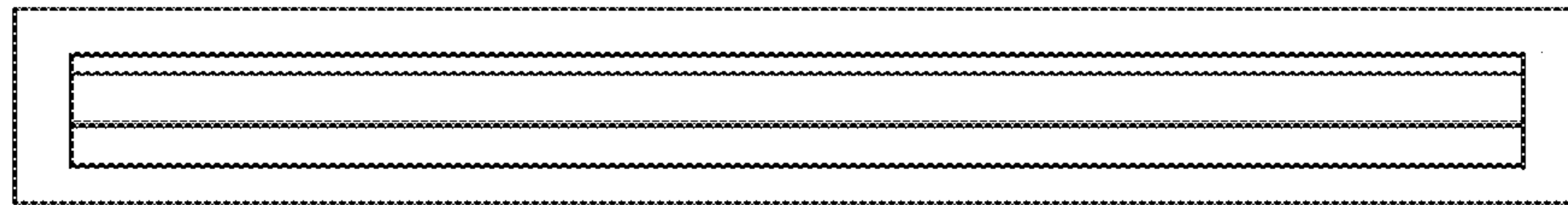


FIG. 8

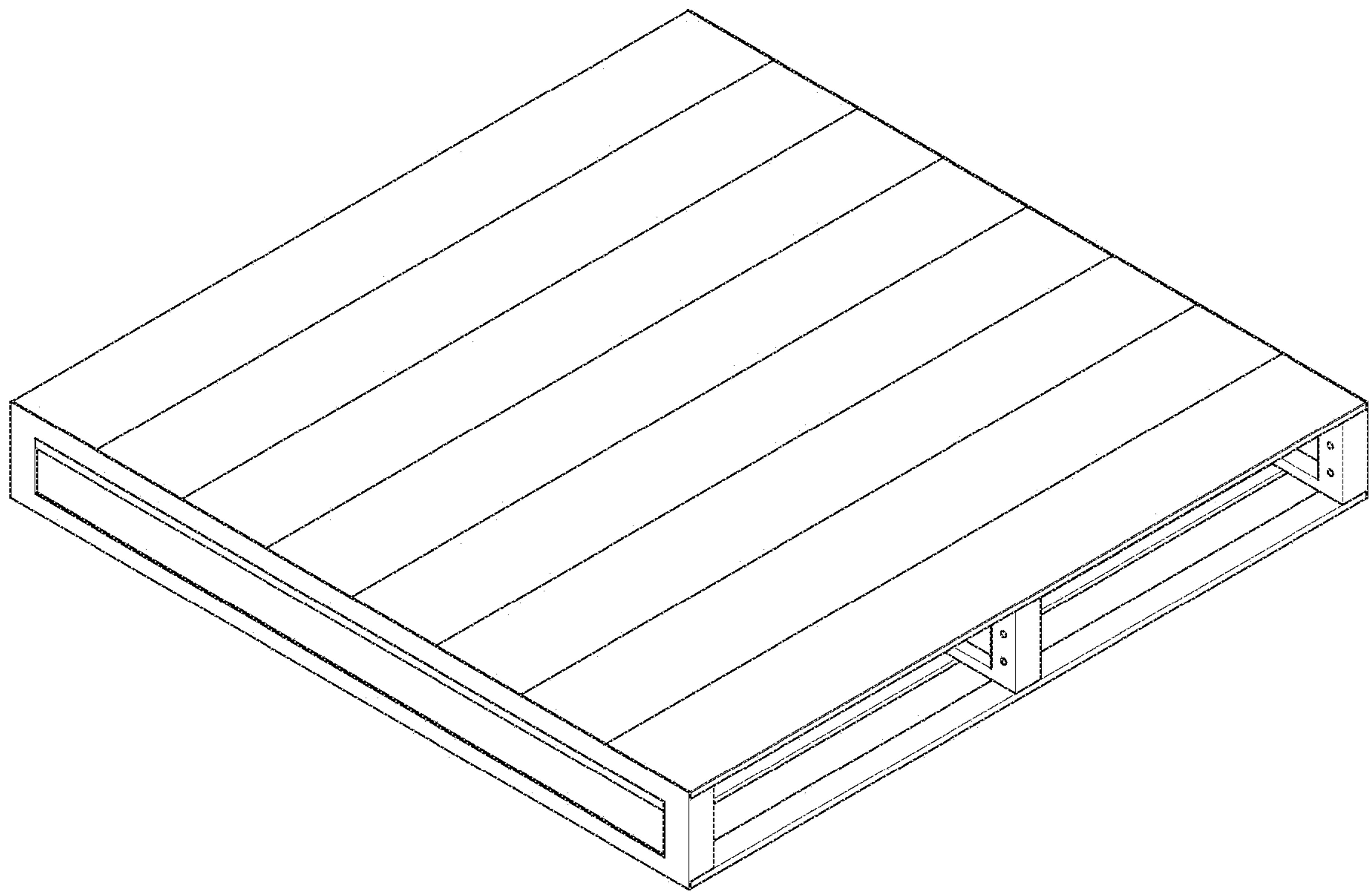


FIG. 9