



US00D910962S

(12) **United States Design Patent**  
**Franta**

(10) **Patent No.:** **US D910,962 S**

(45) **Date of Patent:** **\*\* Feb. 16, 2021**

(54) **RIGGING BLOCK**

8,998,280 B1 \* 4/2015 McMillan ..... B63B 21/08  
294/82.33

(71) Applicant: **John E Franta**, Grover Beach, CA  
(US)

D887,821 S \* 6/2020 Franta ..... D8/360

\* cited by examiner

(72) Inventor: **John E Franta**, Grover Beach, CA  
(US)

*Primary Examiner* — George A Bugg

*Assistant Examiner* — Tamara L Hahn

(\*\*) Term: **15 Years**

(74) *Attorney, Agent, or Firm* — Ronald R. Kilponen

(21) Appl. No.: **29/677,757**

(57) **CLAIM**

(22) Filed: **Jan. 23, 2019**

The ornamental design for a rigging block, as shown and described.

(51) **LOC (13) Cl.** ..... **12-05**

(52) **U.S. Cl.**

USPC ..... **D34/35**

(58) **Field of Classification Search**

USPC ..... D34/26-29; D15/10, 23-33; D21/484;  
D25/62, 66, 68, 113, 115; D8/330-334,  
D8/338, 356

CPC .. F16B 45/02; F16B 1/02; F16B 45/00; A62B  
35/0037; A62B 35/0075; Y10T 24/4534

See application file for complete search history.

**DESCRIPTION**

FIG. 1 is a front perspective view of the rigging block showing the new design;

FIG. 2 is a front and rear side view thereof;

FIG. 3 is a left side view with thereof;

FIG. 4 is a right side view thereof;

FIG. 5 is a top side view thereof;

FIG. 6 is a bottom side view thereof; and,

FIG. 7 is a cross sectional view taken along lines 7-7 of FIG. 1 illustrating the inner design elements with broken line elements removed.

The broken lines shown in the drawings illustrate portions of the rigging block that form no part of the claimed design.

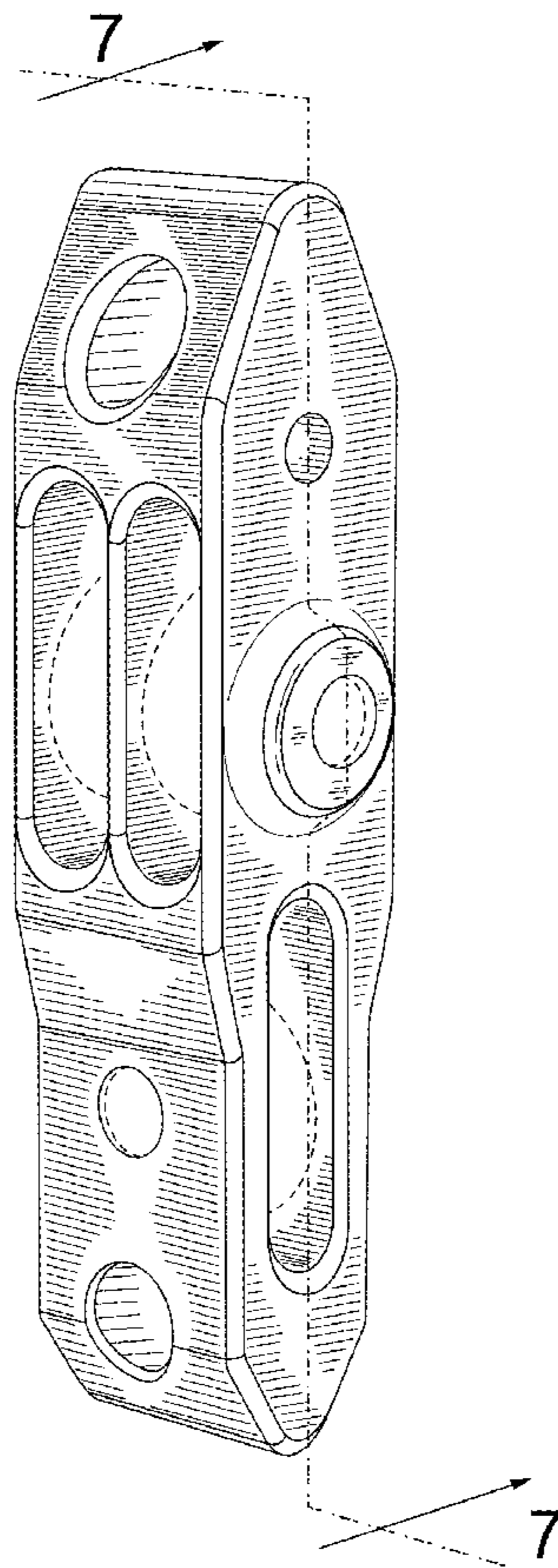
(56) **References Cited**

**U.S. PATENT DOCUMENTS**

2,459,290 A \* 1/1949 Rozner ..... B66D 3/06  
254/404

5,901,990 A \* 5/1999 McMillan ..... B63B 21/04  
292/195

**1 Claim, 4 Drawing Sheets**



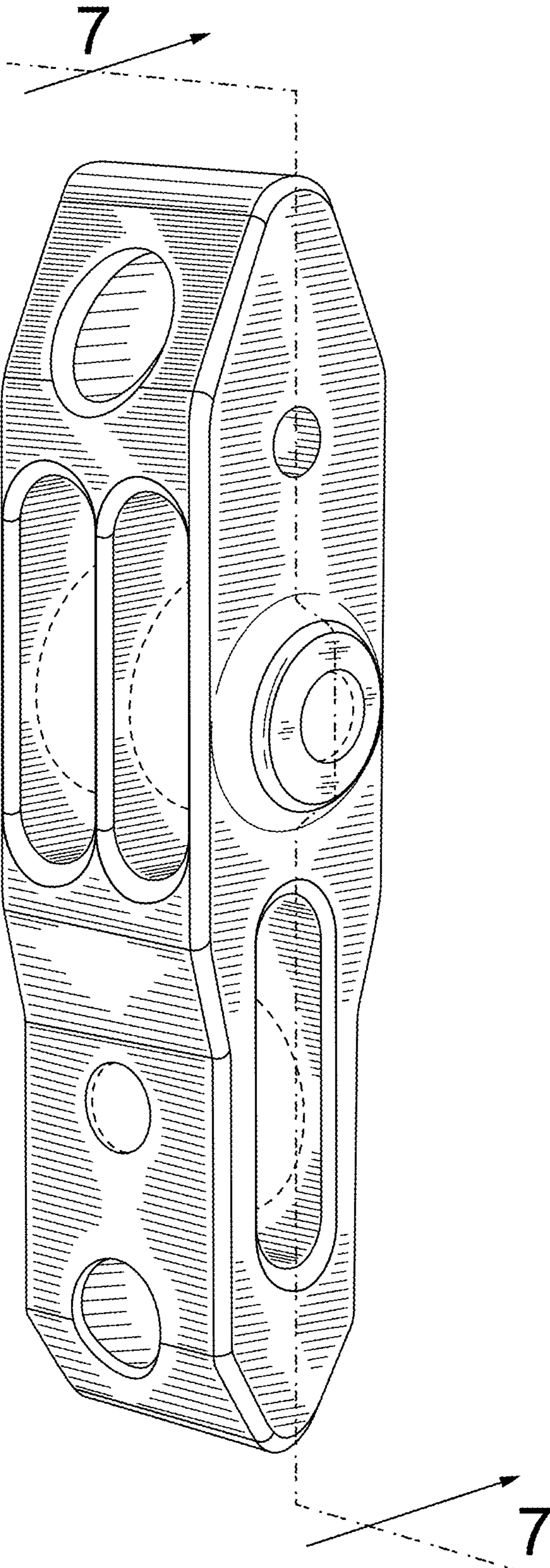


FIG. 1

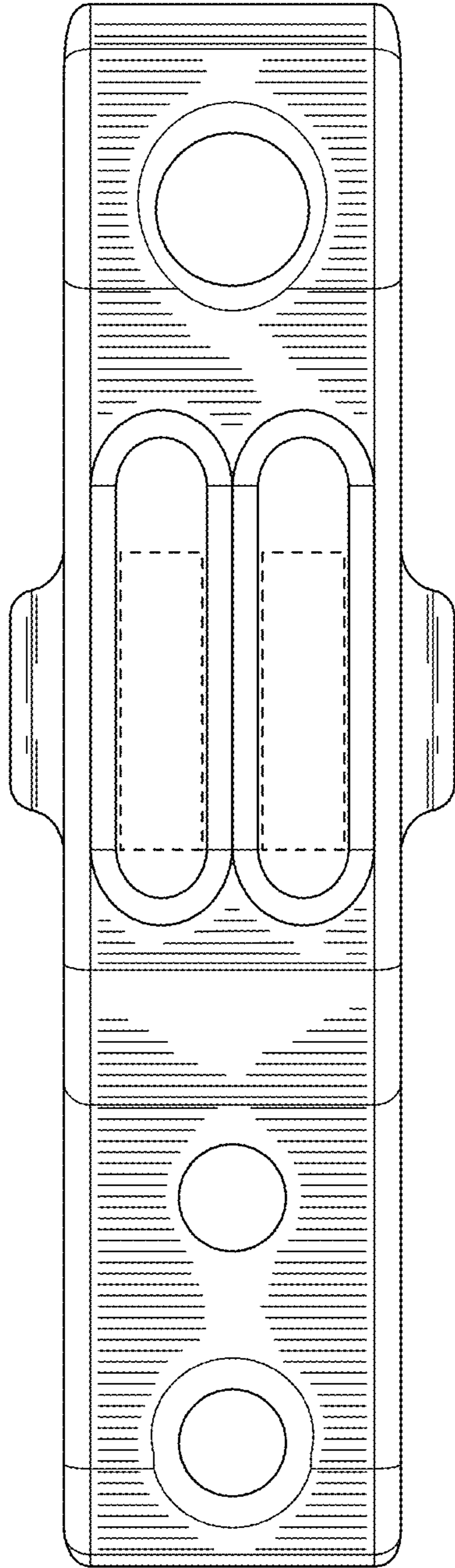


FIG. 2

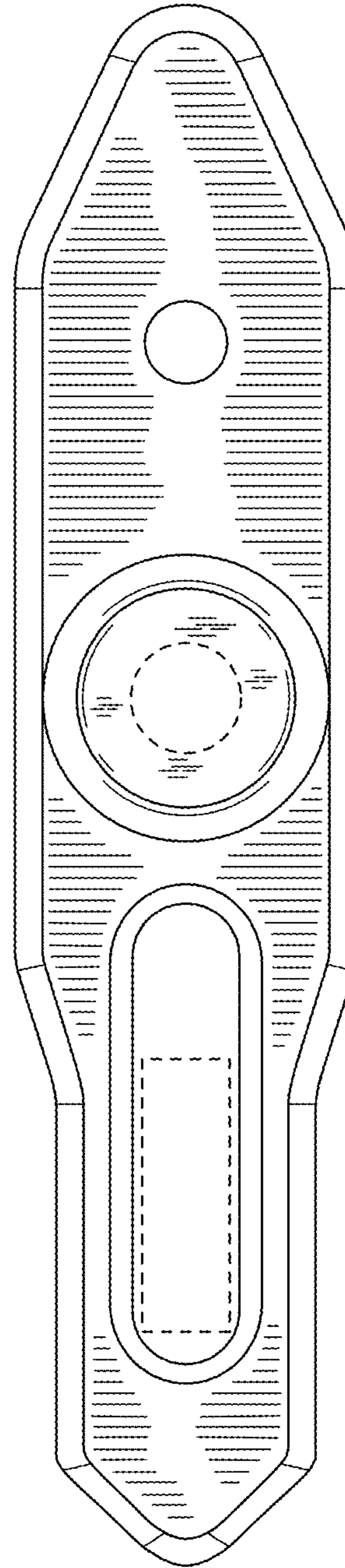


FIG. 3

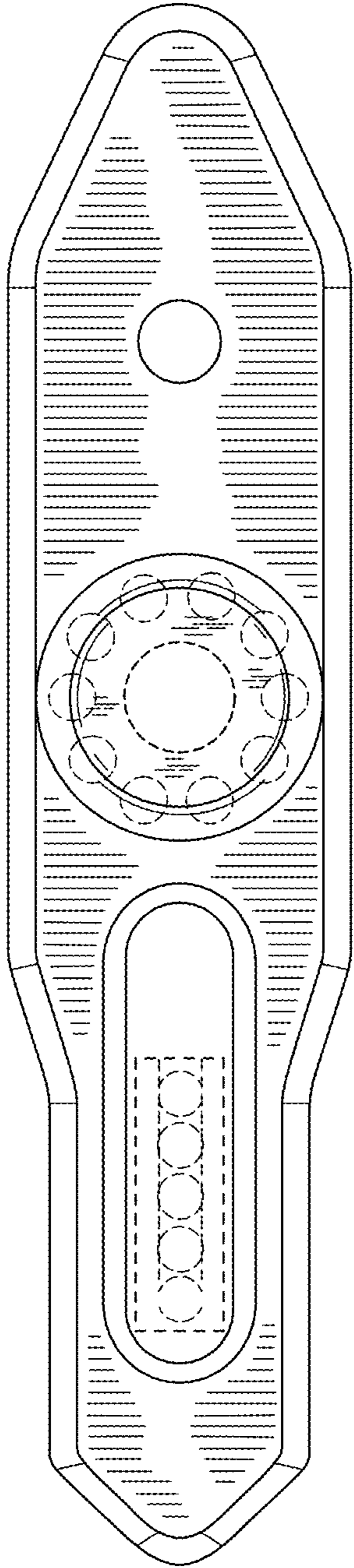


FIG. 4

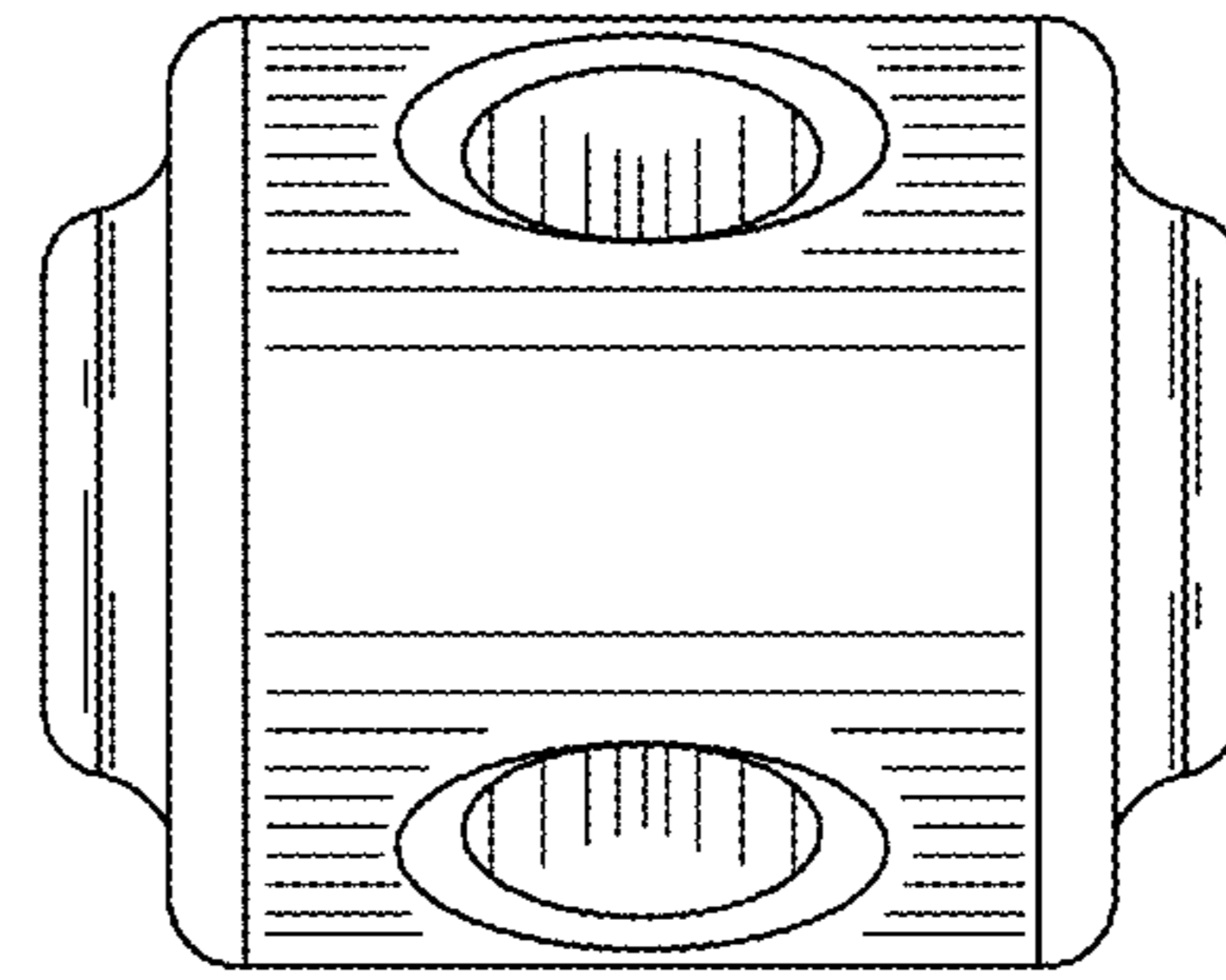


FIG. 5

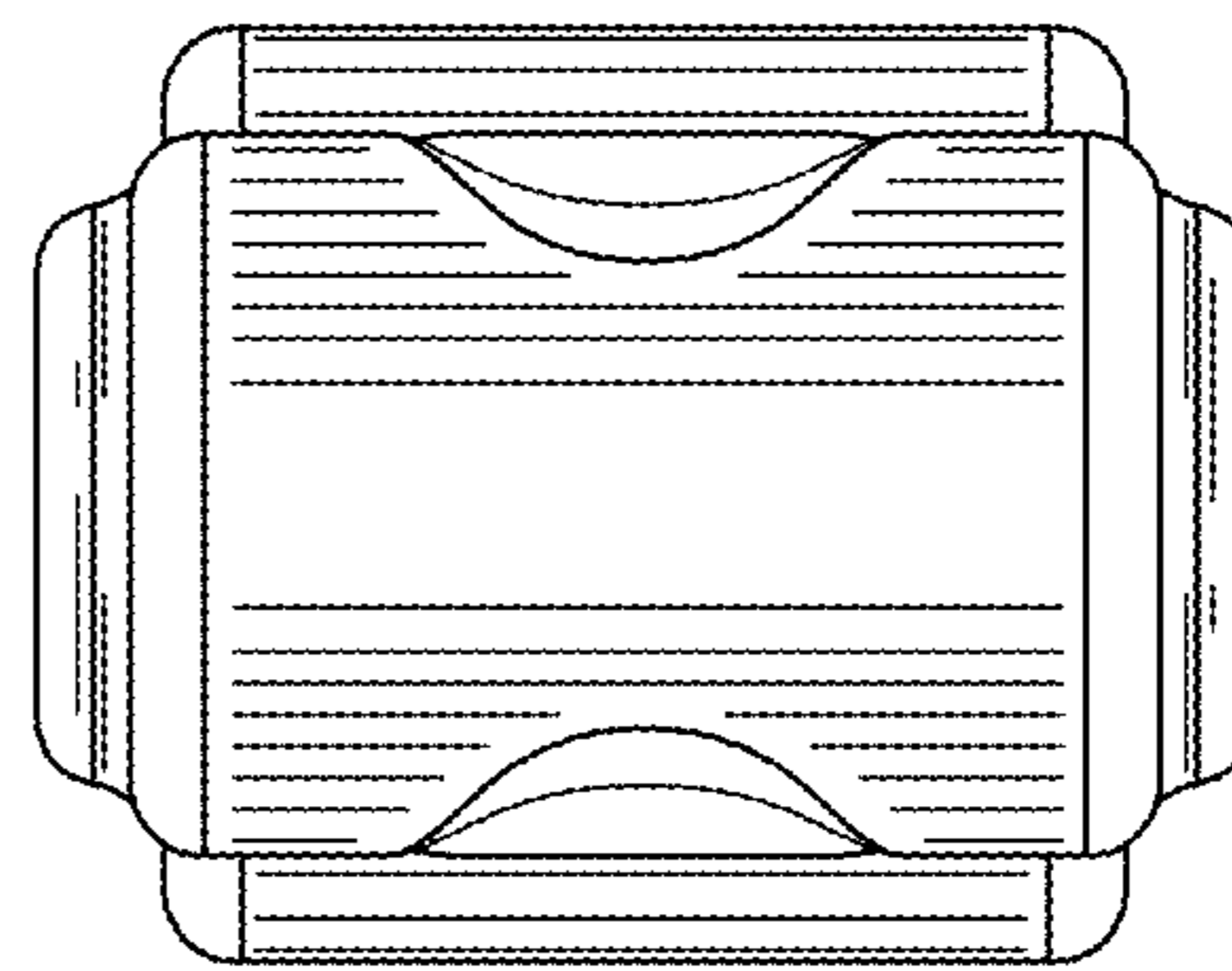


FIG. 6



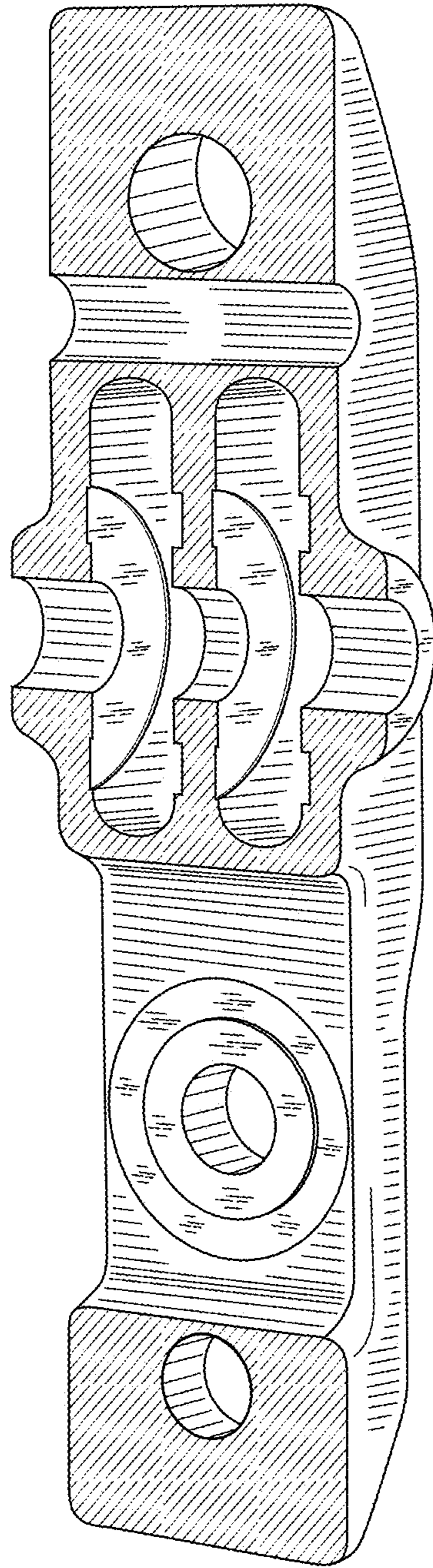


FIG. 7