



US00D910960S

(12) **United States Design Patent** (10) **Patent No.:** **US D910,960 S**  
**Marmon et al.** (45) **Date of Patent:** **\*\* Feb. 16, 2021**

(54) **DOCK BOARD**

(71) Applicant: **Discount Ramps.com, LLC,**  
Germantown, WI (US)

(72) Inventors: **Lawrence Marmon,** Milwaukee, WI  
(US); **Robert Krolski,** Milwaukee, WI  
(US)

(73) Assignee: **Discount Ramps.com, LLC,**  
Germantown, WI (US)

(\*\*) Term: **15 Years**

(21) Appl. No.: **29/695,466**

(22) Filed: **Jun. 19, 2019**

**Related U.S. Application Data**

(62) Division of application No. 29/615,873, filed on Aug.  
31, 2017, now Pat. No. Des. 861,279.

(51) **LOC (13) Cl.** ..... **12-05**

(52) **U.S. Cl.**  
USPC ..... **D34/32**

(58) **Field of Classification Search**  
USPC ..... D34/28, 32  
CPC ..... B65G 69/28; B65G 69/30; B60R 9/06;  
B60R 9/10; B60P 1/43; B60P 1/431;  
B60P 3/1025

See application file for complete search history.

(56) **References Cited**

**U.S. PATENT DOCUMENTS**

3,781,934 A 1/1974 Pink  
D300,073 S 2/1989 Crump  
D382,676 S 8/1997 Holbrook  
D494,336 S 8/2004 Smith  
9,050,229 B1 6/2015 Morris  
D804,767 S 12/2017 Wojdyla

D829,402 S 9/2018 Hendrickson  
D835,877 S 12/2018 Hendrickson  
D836,878 S 12/2018 Adriani  
D861,279 S \* 9/2019 Marmon ..... D34/32  
2007/0234491 A1 10/2007 Bailie  
2009/0300859 A1 12/2009 Lucht

**OTHER PUBLICATIONS**

“Blue Manufacturing Steel Rail Board”, by Discount Ramps, web-  
site visited Aug. 28, 2017, [http://www.discountramps.com/railboard/  
p/RAILBOARD/](http://www.discountramps.com/railboard/p/RAILBOARD/).

“Bluff Manufacturing Steel Red Pin Dock Board”, by Discount  
Ramps, website visited Aug. 28, 2017, [http://www.discountramps.  
com/heavy-duty-dock-board/p/BLUFF-HD-DOCK-BOARDS/](http://www.discountramps.com/heavy-duty-dock-board/p/BLUFF-HD-DOCK-BOARDS/).

(Continued)

*Primary Examiner* — Cynthia Ramirez

(74) *Attorney, Agent, or Firm* — Andrus Intellectual  
Property Law, LLP

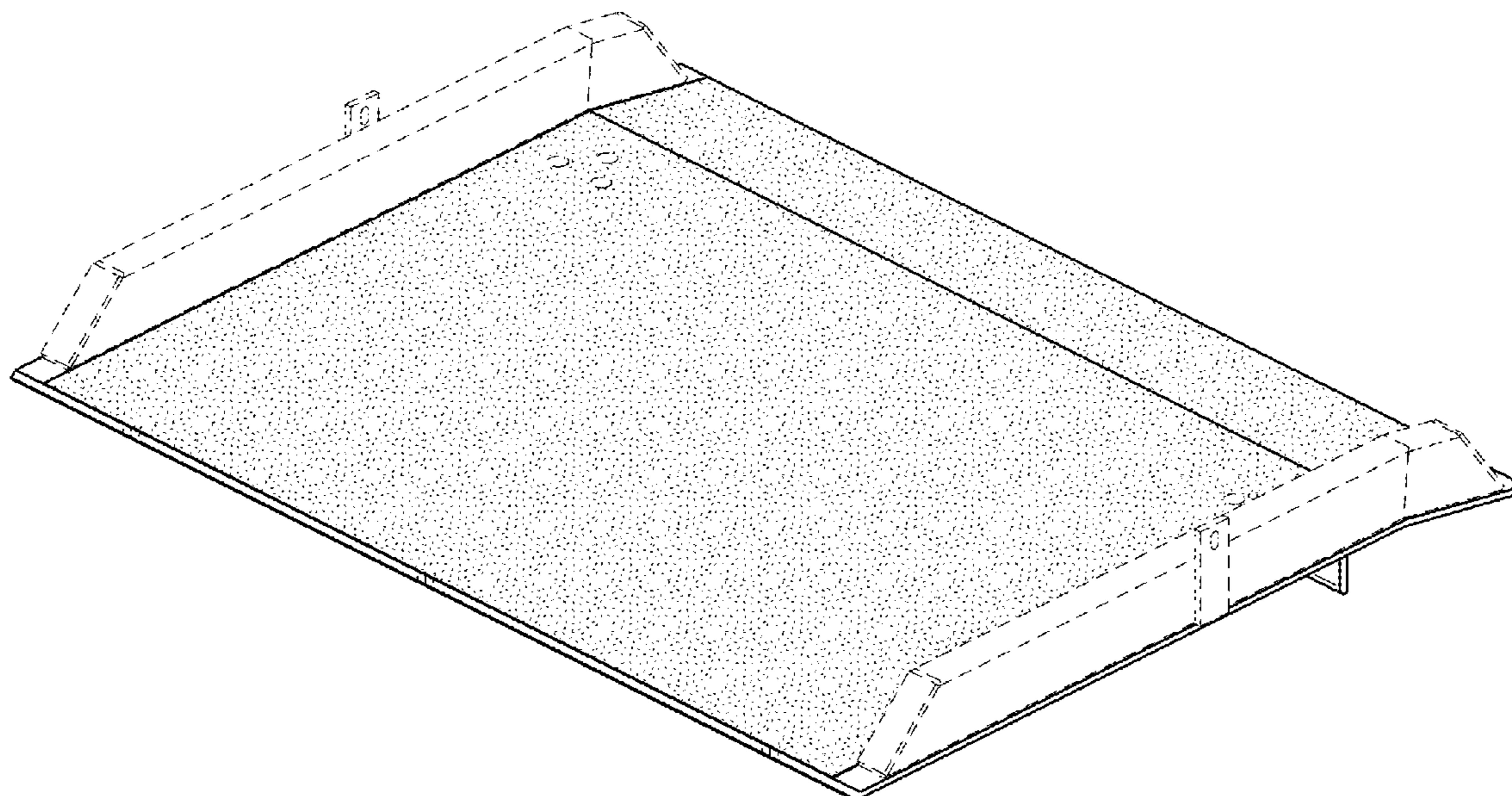
(57) **CLAIM**

The ornamental design for a dock board, as shown and  
described.

**DESCRIPTION**

FIG. 1 is a perspective view of a dock board;  
FIG. 2 is a top view thereof;  
FIG. 3 is a front view thereof;  
FIG. 4 is a left side view thereof;  
FIG. 5 is a right view thereof;  
FIG. 6 is a back side view thereof; and,  
FIG. 7 is a bottom view thereof.  
The broken lines showing of various portions and other  
elements in the Figures are for the purpose of illustrating  
unclaimed portions and form no part of the claimed design.  
The stippling in the claimed design denotes a grit surface  
texture different from other surfaces of the claimed design.

**1 Claim, 4 Drawing Sheets**



(56)

**References Cited**

OTHER PUBLICATIONS

“Bluff Manufacturing Steel Shipping Container Ramps”, by Discount Ramps, website visited Aug. 28, 2017, <http://www.discounttramps.com/steel-container-ramp/p/BLUFF-CONTAINER-RAMPS/>.

“Bluff Manufacturing Steel T-Series Dock Board”, by Discount Ramps, website visited Aug. 28, 2017, <http://www.discounttramps.com/steel-dock-plate/p/BLUFF-HDT-DOCK-BOARDS/>.

“Bluff Manufacturing Steel Welded Dock Board”, by Discount Ramps, website visited Aug. 28, 2017, <http://www.discounttramps.com/steel-dock-board/p/BLUFF-STEEL-DOCK-BOARDS/>.

“Guardian Aluminum Dock Board”, by Discount Ramps, website visited Aug. 28, 2017, <http://www.discounttramps.com/aluminum-dock-board/p/ADB/>.

“Guardian Aluminum Dock Plate”, by Discount Ramps, website visited Aug. 28, 2017, <http://www.discounttramps.com/dock-plates/p/ADP-X/>.

“Guardian Steel Dock Board”, by Discount Ramps, website visited Aug. 28, 2017, <http://www.discounttramps.com/dock-boards/p/SDB-13/>.

“Guardian Aluminum Shipping Container Ramp”, by Discount Ramps, website visited Aug. 28, 2017, <http://www.discounttramps.com/shipping-container-ramp/p/05-36-036-06-Grit/>.

\* cited by examiner

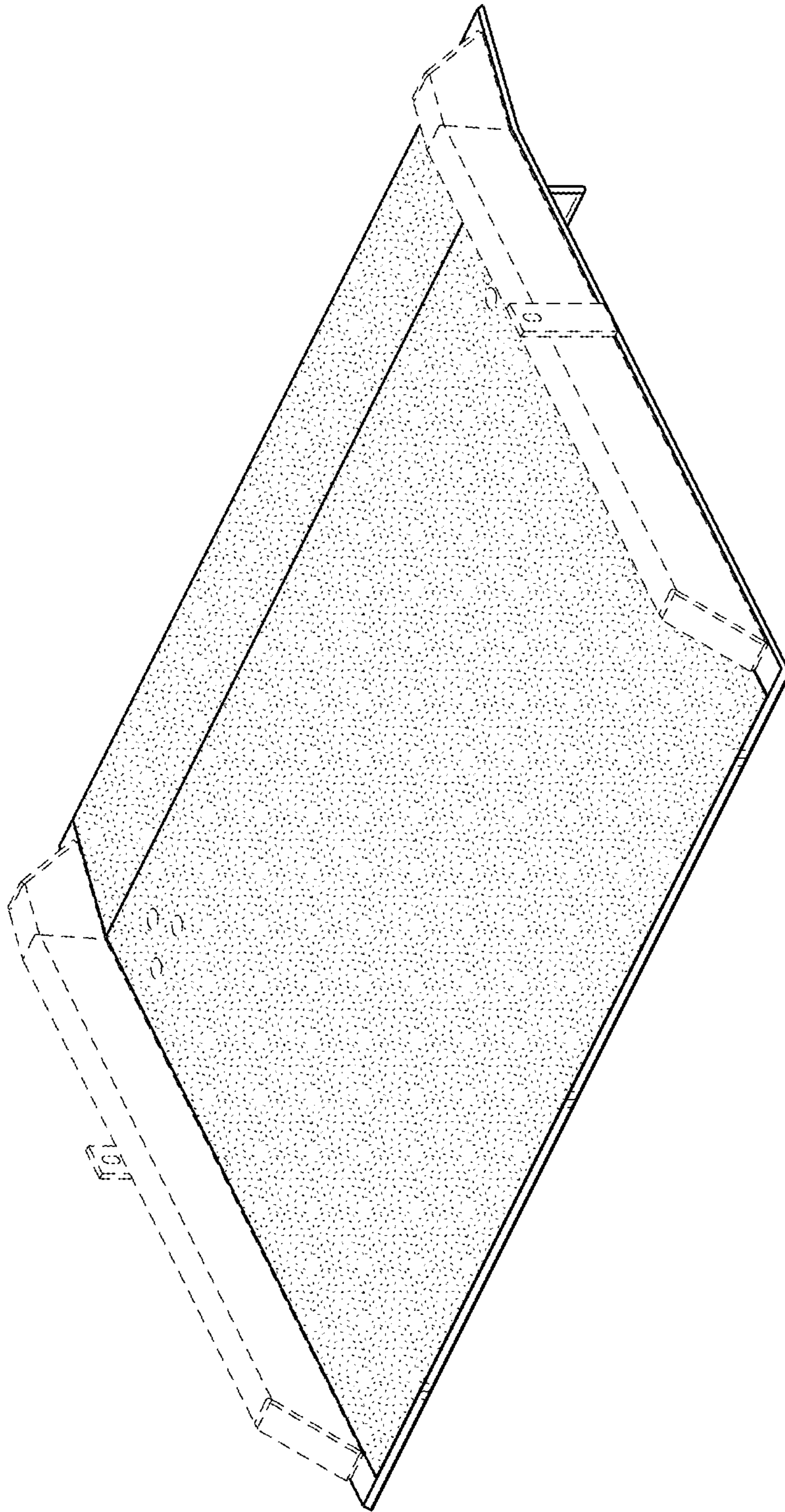


FIG. 1



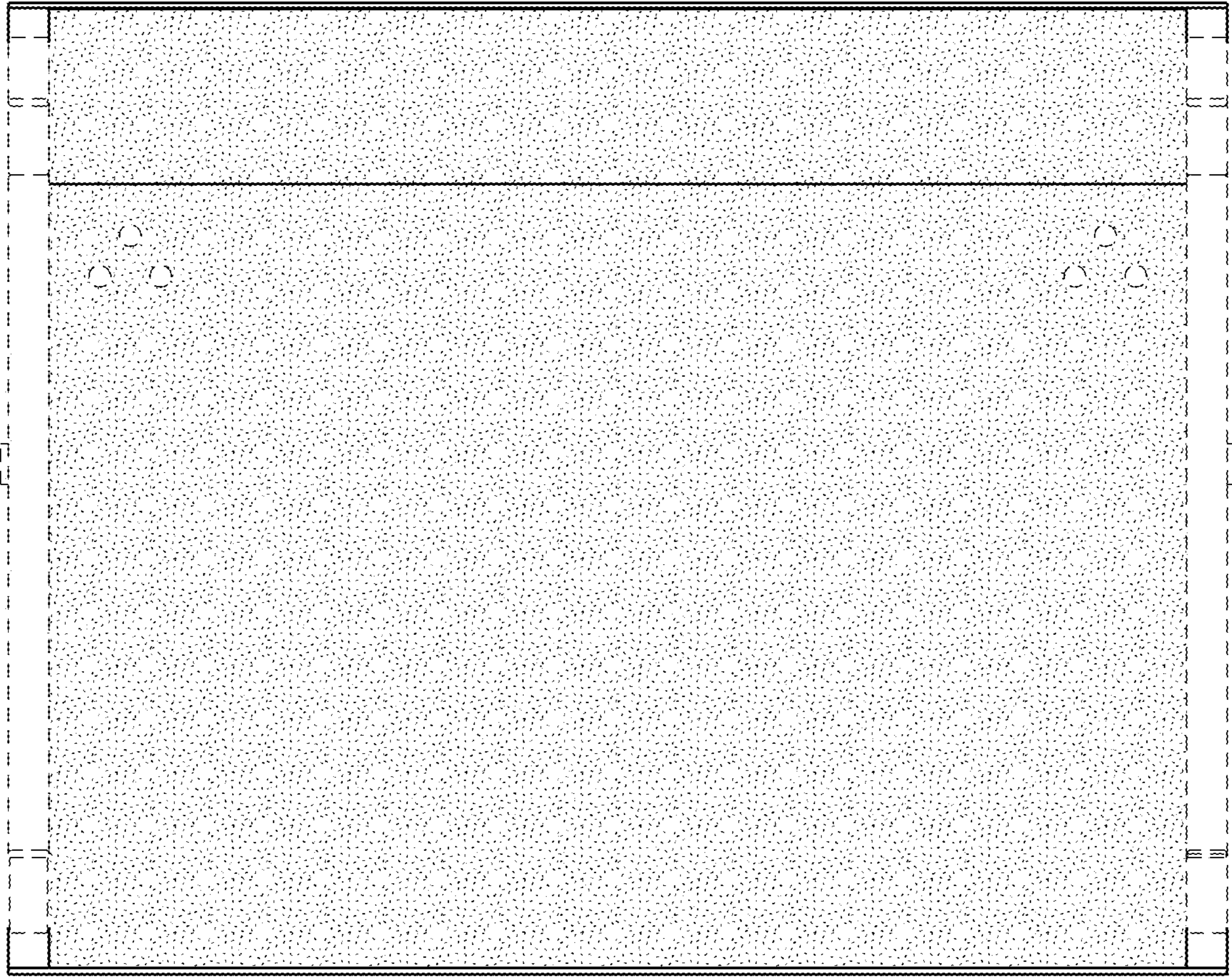


FIG. 2

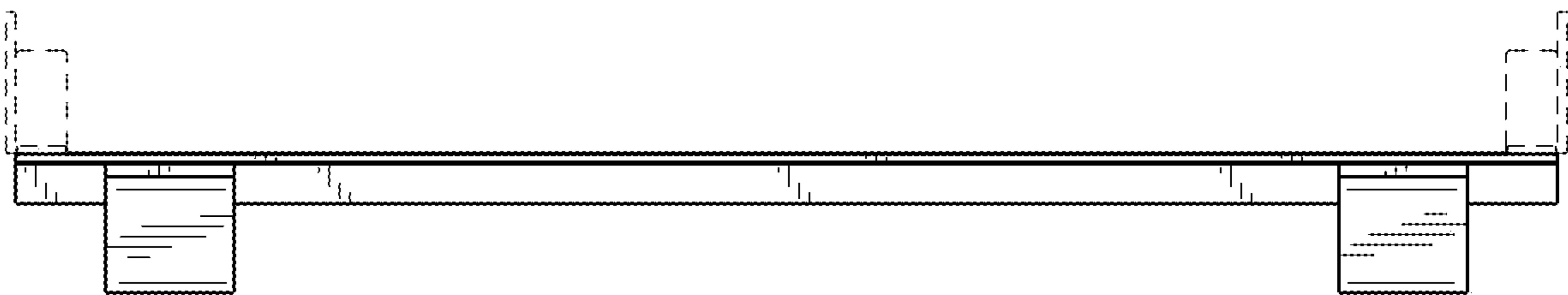


FIG. 3

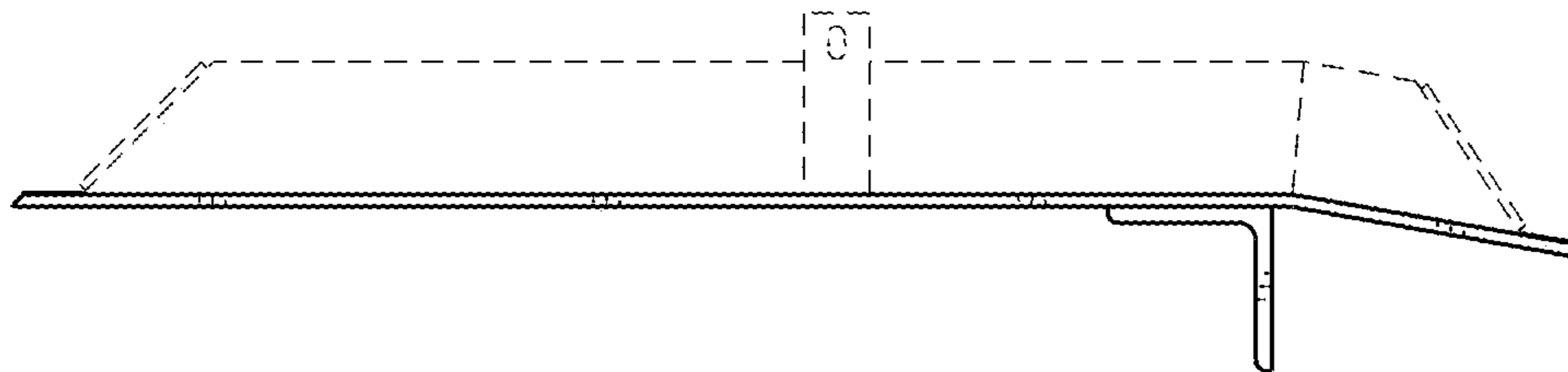


FIG. 4

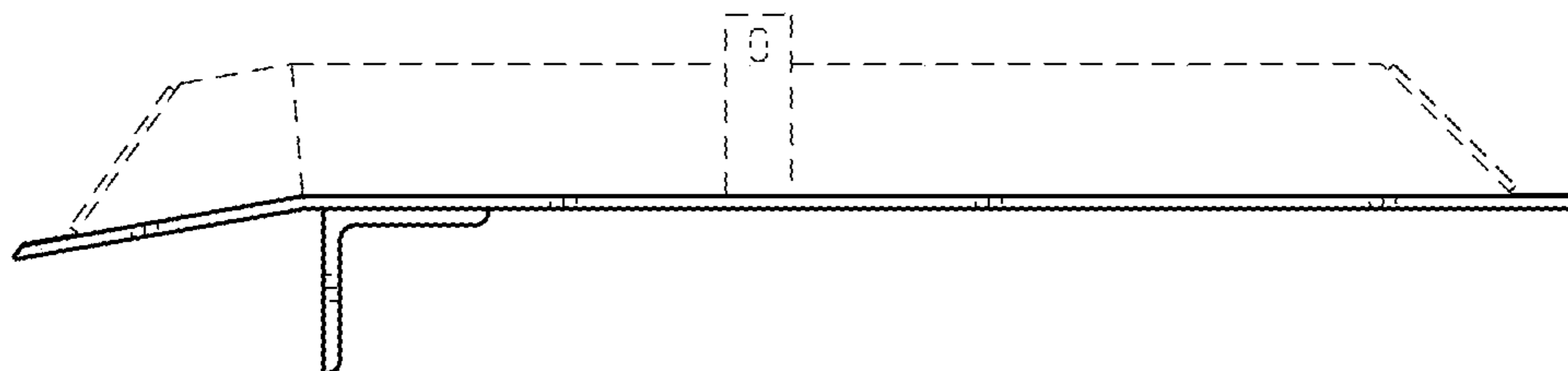


FIG. 5

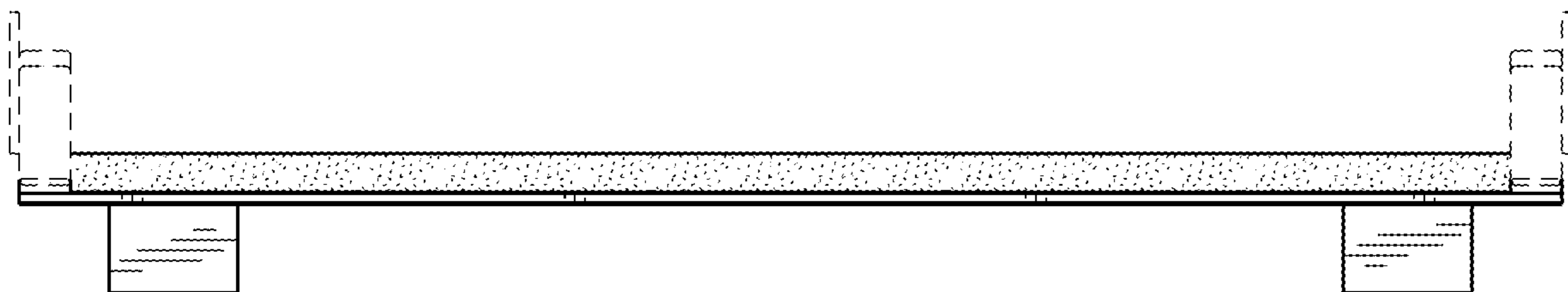


FIG. 6

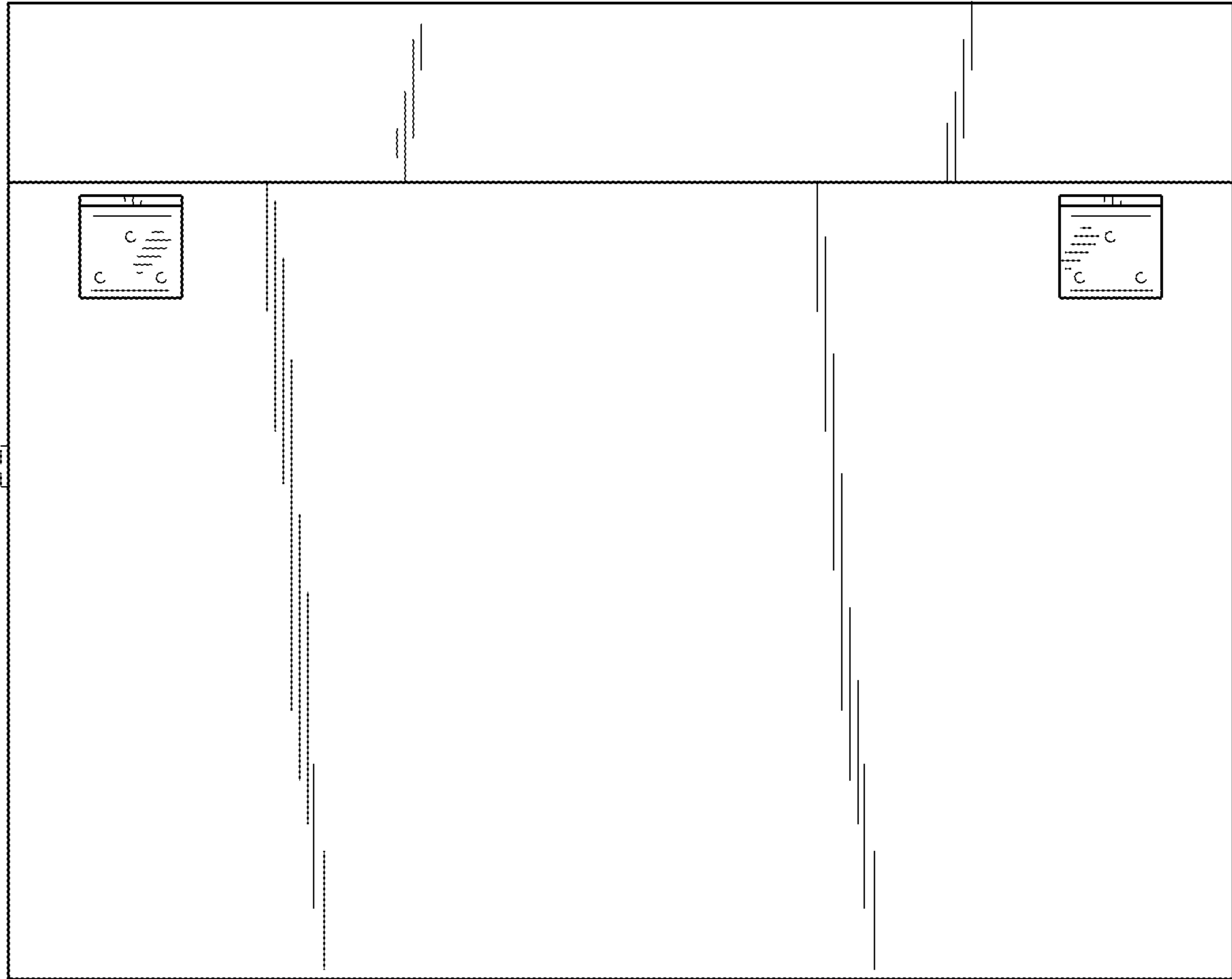


FIG. 7