



US00D910956S

(12) **United States Design Patent**
Wilcox

(10) **Patent No.:** **US D910,956 S**

(45) **Date of Patent:** **** Feb. 16, 2021**

(54) **HYDRAULIC DOLLY**

(71) Applicant: **Jerome Wilcox**, St. George, UT (US)

(72) Inventor: **Jerome Wilcox**, St. George, UT (US)

(**) Term: **15 Years**

(21) Appl. No.: **29/744,605**

(22) Filed: **Jul. 30, 2020**

(51) **LOC (13) Cl.** **12-02**

(52) **U.S. Cl.**
USPC **D34/26**

(58) **Field of Classification Search**
USPC D34/12, 23, 26
CPC .. B62B 1/262; B62B 1/10; B62B 1/14; B62B
2205/33; B62B 5/0442; B62B 5/0476;
B62B 5/0438

See application file for complete search history.

(56) **References Cited**

U.S. PATENT DOCUMENTS

D174,307 S *	3/1955	Anderson	D34/26
6,752,404 B1 *	6/2004	Blake	B62B 5/0442
				188/19
7,398,990 B2 *	7/2008	Tsai	B62B 1/125
				280/47.18
7,823,893 B2 *	11/2010	Meyers	B62B 1/266
				280/47.29
D644,396 S *	8/2011	Dechant	D34/26
D644,397 S *	8/2011	Wood	D34/26

D644,401 S *	8/2011	Dechant	D34/26
D661,860 S *	6/2012	Ryan	D34/26
D667,193 S *	9/2012	Ryan	D34/26
D667,194 S *	9/2012	Ryan	D34/26
D822,936 S *	7/2018	Yang	D34/27
2016/0325770 A1 *	11/2016	Wilcox	B62B 5/0003
2018/0170417 A1 *	6/2018	Casey	B62B 5/026
2018/0229745 A1 *	8/2018	Brewer	B62B 5/0457
2018/0354539 A1 *	12/2018	Casey	G01L 5/0095

* cited by examiner

Primary Examiner — Cynthia Ramirez

(74) *Attorney, Agent, or Firm* — Gurr Brande & Spendlove, PLLC; Robert A. Gurr

(57) **CLAIM**

The ornamental design for a hydraulic dolly, as shown and described.

DESCRIPTION

FIG. 1 is a front, left perspective view of the hydraulic dolly; FIG. 2 is a front elevation view of the hydraulic dolly; FIG. 3 is a left side elevation view of the hydraulic dolly, the right side being a mirror image thereof; FIG. 4 is a rear elevation view of the hydraulic dolly; FIG. 5 is a top plan view of the hydraulic dolly; FIG. 6 is a bottom plan view of the hydraulic dolly; and, FIG. 7 is a rear, right perspective view of the hydraulic dolly, shown in condition of use.

The broken lines shown in FIG. 7 show environment and form no part of the claimed design.

1 Claim, 6 Drawing Sheets

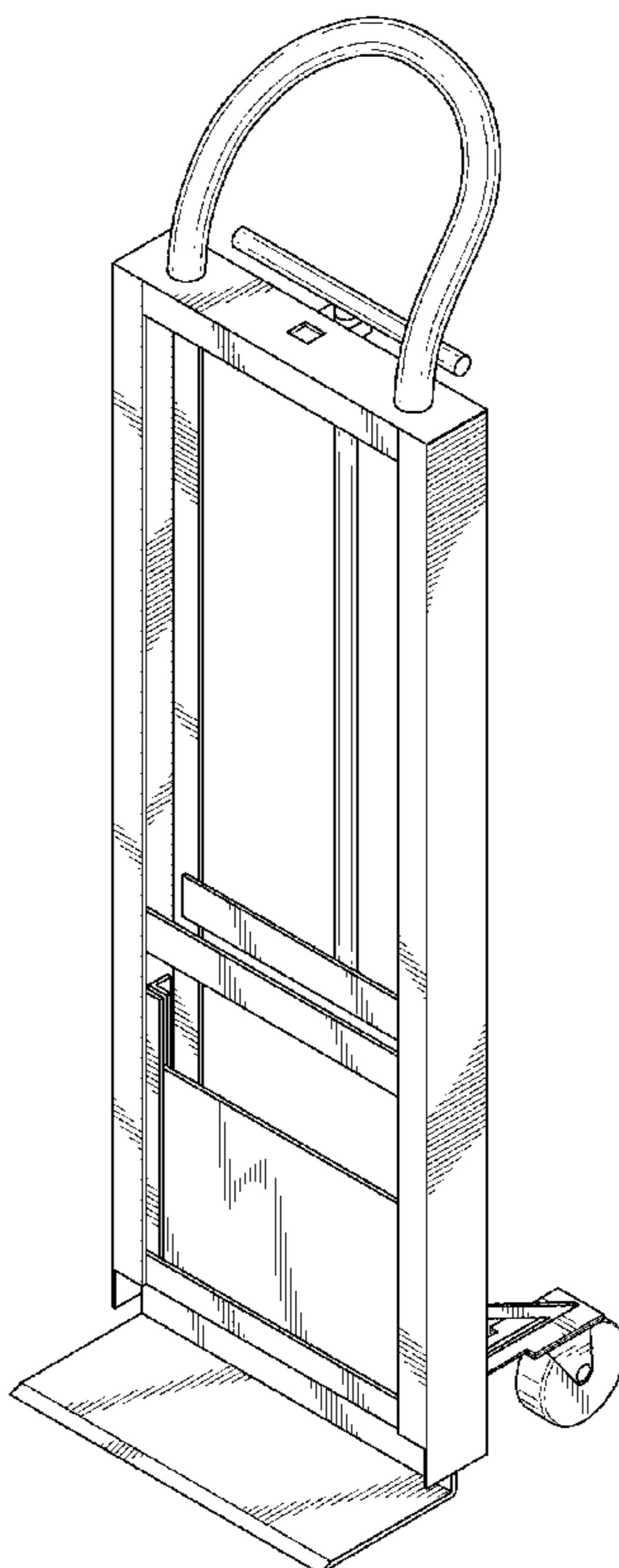


FIG. 1

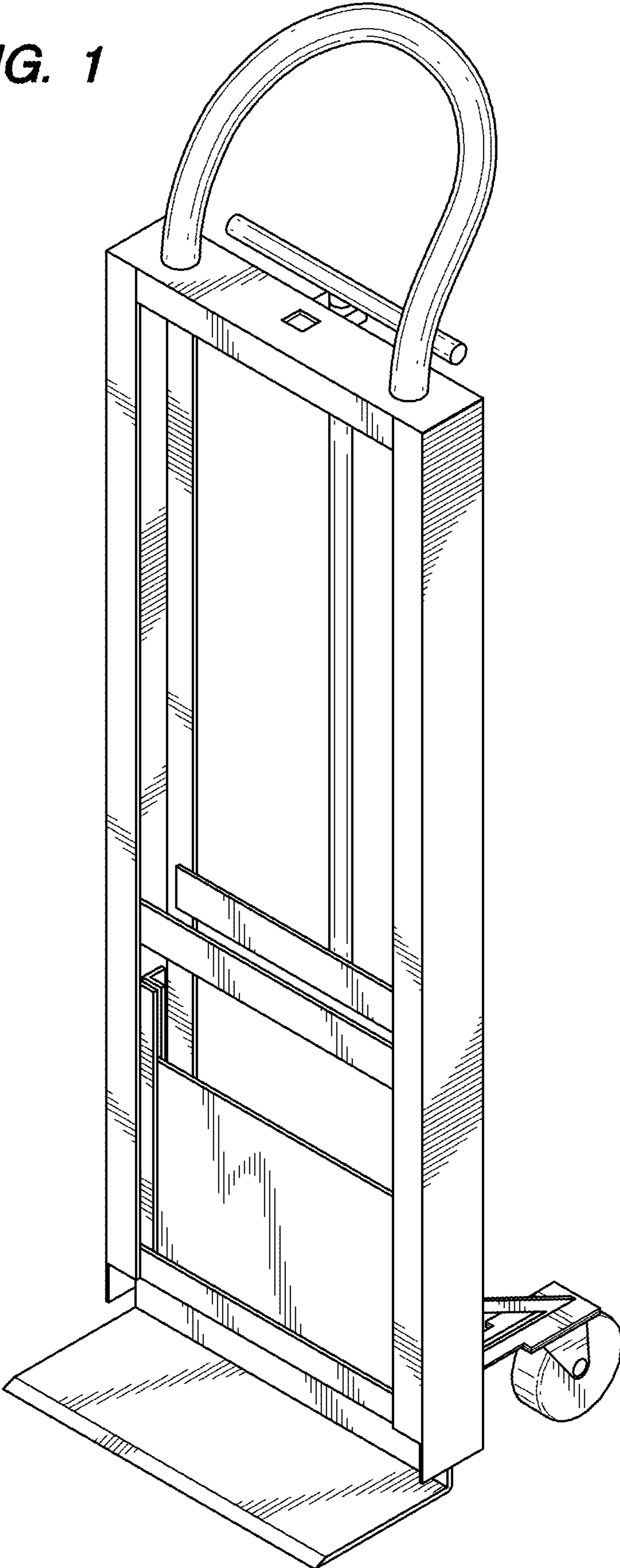


FIG. 2

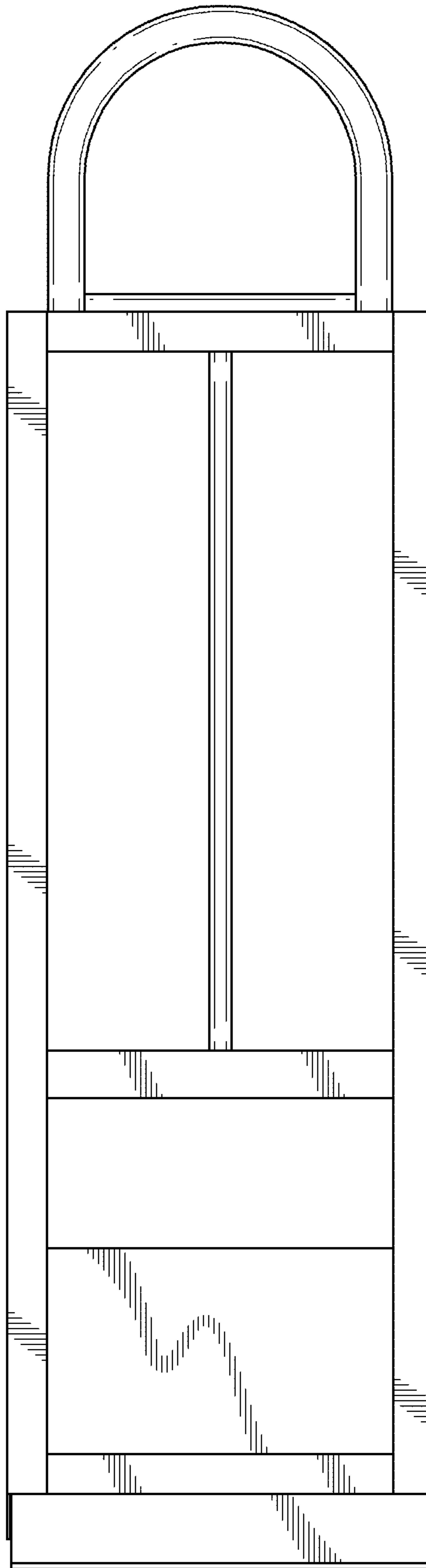


FIG. 3

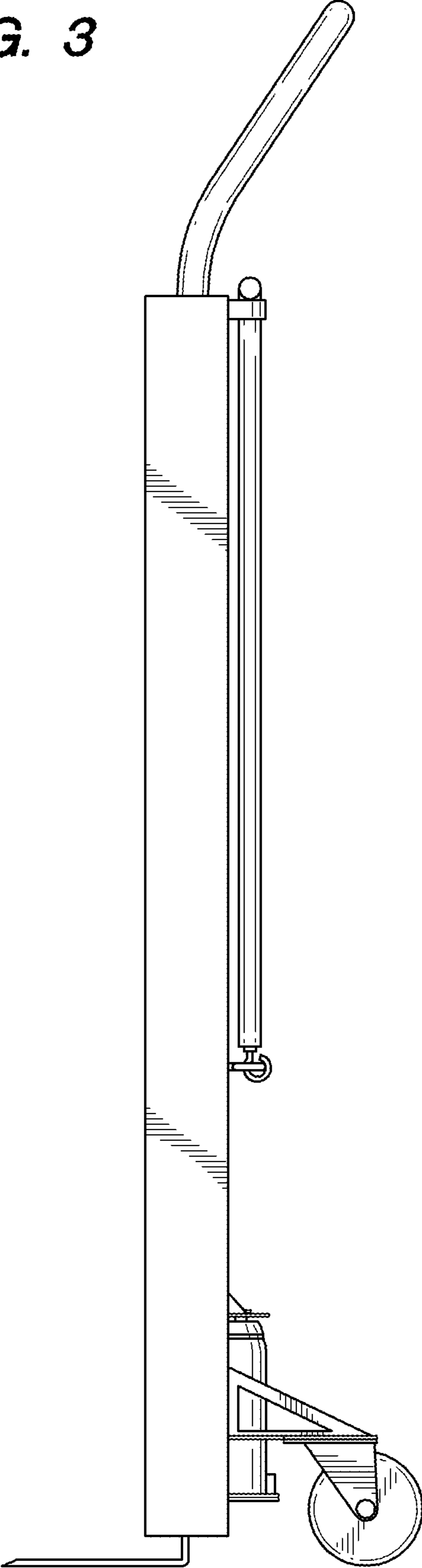


FIG. 4

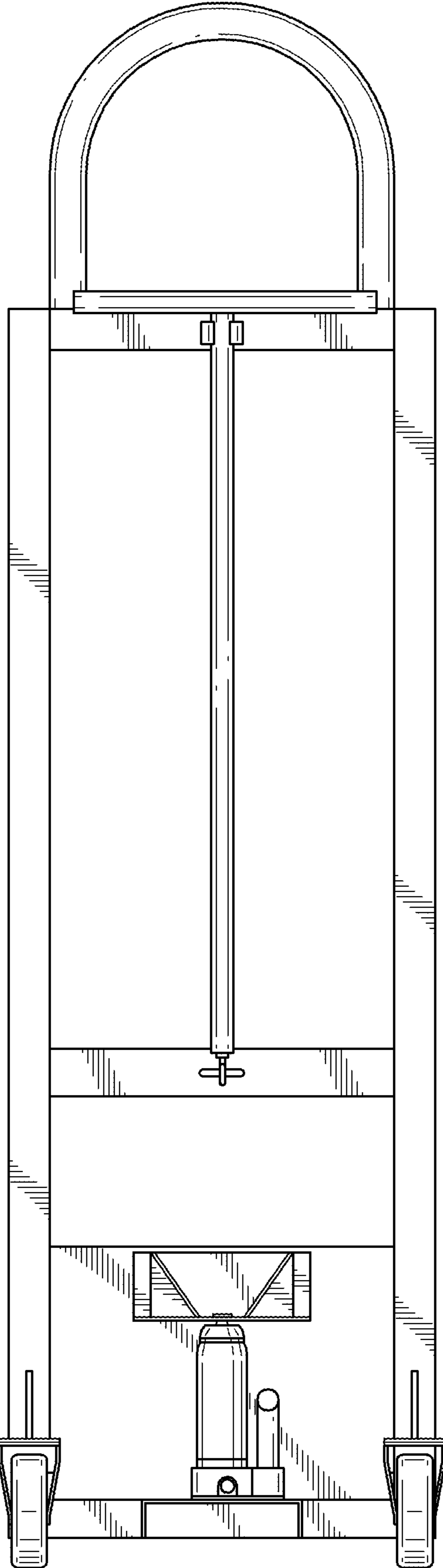


FIG. 5

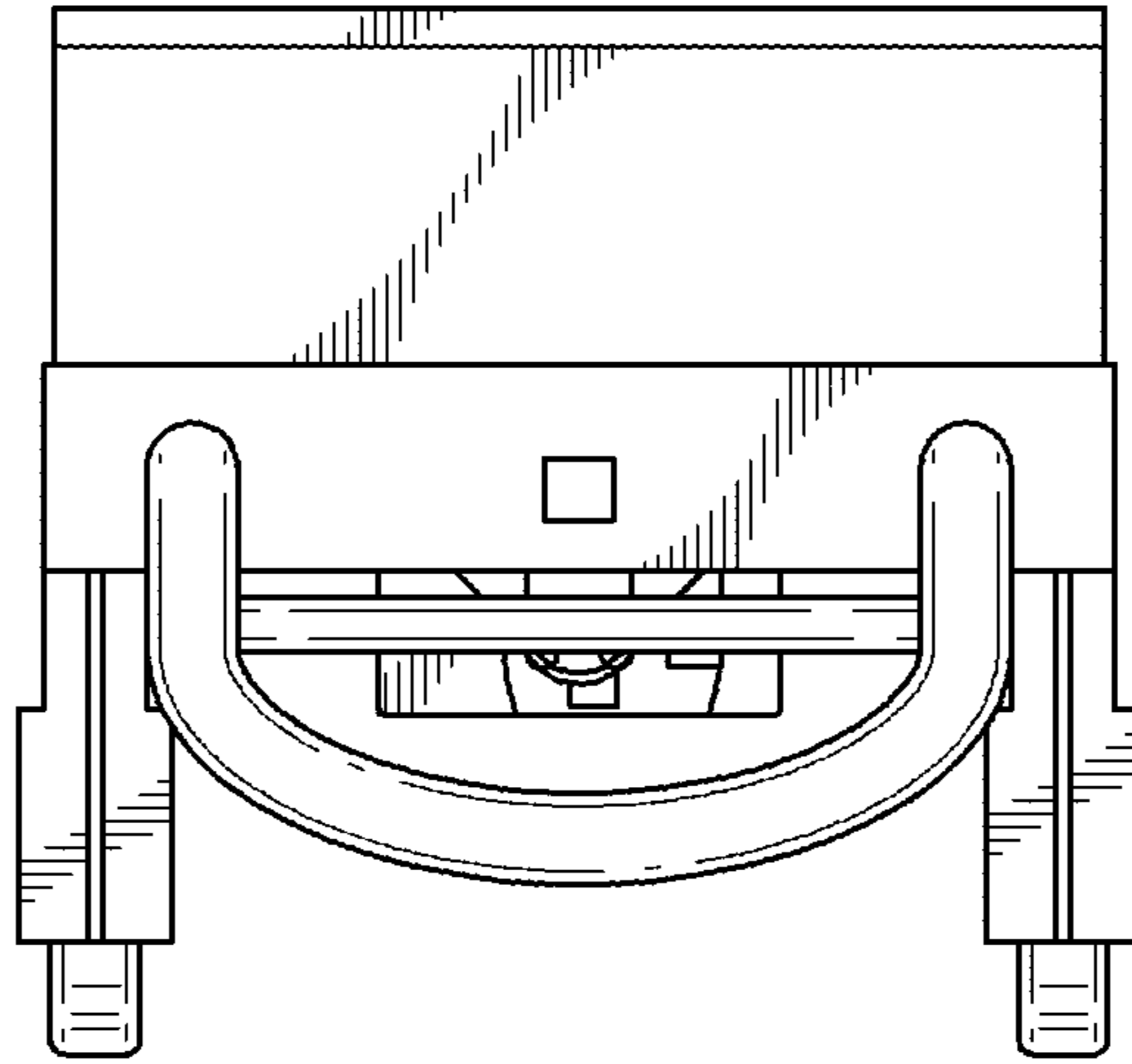


FIG. 6

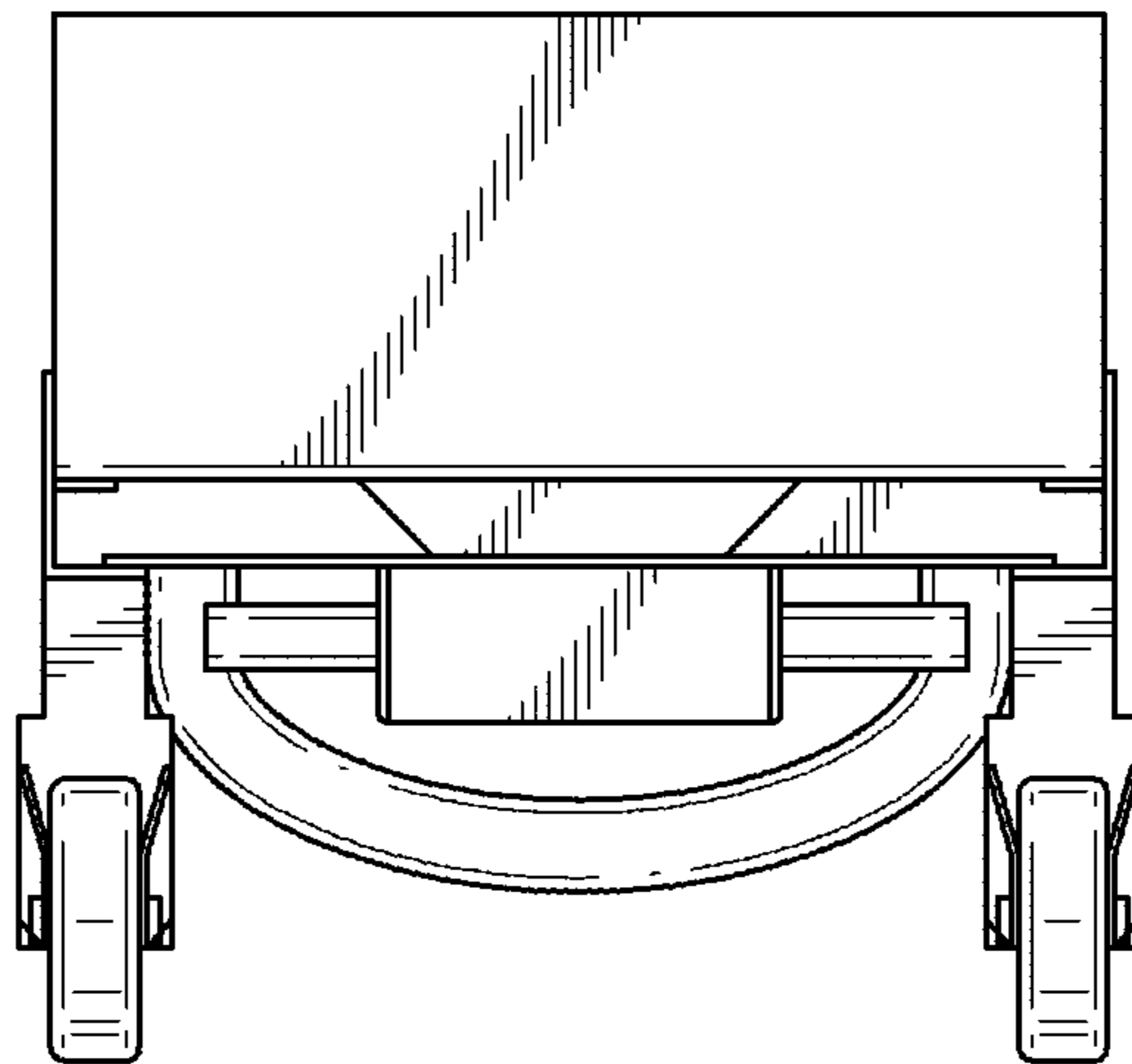


FIG. 7

