



US00D910955S

(12) **United States Design Patent** (10) **Patent No.:** **US D910,955 S**
Logan et al. (45) **Date of Patent:** **** Feb. 16, 2021**

(54) **SERVICE CART PANEL SYSTEM**

(71) Applicant: **SUNCAST TECHNOLOGIES, LLC**,
Palm Beach Gardens, FL (US)

(72) Inventors: **Samuel G. Logan**, West Chicago, IL
(US); **William J. Phillips**, Batavia, IL
(US); **Stephen Whitehead**, Elgin, IL
(US)

(73) Assignee: **Suncast Technologies, LLC**, Palm
Beach Gardens, FL (US)

(**) Term: **15 Years**

(21) Appl. No.: **29/700,687**

(22) Filed: **Aug. 5, 2019**

(51) **LOC (13) Cl.** **12-02**

(52) **U.S. Cl.**
USPC **D34/19**

(58) **Field of Classification Search**

USPC ... D34/1, 12, 13, 14, 16, 19, 20, 21, 22, 23;
D12/101, 102, 105; D6/675, 675.2, 675.5
CPC B64D 11/007; B62B 1/00; B62B 1/008;
B62B 1/12; B62B 3/002; B62B 3/006;
B62B 3/02; B62B 3/10; B62B 3/005;
B62B 5/0083; B65D 9/14

See application file for complete search history.

(56) **References Cited**

U.S. PATENT DOCUMENTS

D411,678 S *	6/1999	Di Paolo	D34/20
D653,010 S *	1/2012	Shen	D34/19
D661,141 S *	6/2012	Bao	D6/675
D817,584 S *	5/2018	Phillips	D34/21
10,793,175 B2 *	10/2020	Soyturk	A61G 12/001
2017/0232988 A1 *	8/2017	Bernier	B62B 3/005
				280/47.35
2019/0111956 A1 *	4/2019	Phillips	B62B 3/04

OTHER PUBLICATIONS

Suncast Utility Cart, announced 2020 [online], [site visited Aug. 11, 2020]. Available from internet, URL: <https://hdsupplysolutions.com/p/suncast-commercial-utility-cart-heavy-duty-plus-19-x-37-p837163> (Year: 2020).*

Suncast Cart Shield, announced 2020 [online], [site visited Aug. 11, 2020]. Available from internet, URL: <https://industrialadder.com/suncast-puccs1937-cart-shield-for-suncast-commercial-19-x-37-utility-carts/> (Year: 2020).*

* cited by examiner

Primary Examiner — George A Bugg

Assistant Examiner — Tamara L Hahn

(74) *Attorney, Agent, or Firm* — McHale & Slavin, P.A.

(57) **CLAIM**

The ornamental design for a service cart panel system, as shown and described.

DESCRIPTION

FIG. 1 is an exploded view of the service cart panel system of the present invention;

FIG. 2 is a top front left perspective view thereof;

FIG. 3 is a top front right perspective view thereof;

FIG. 4 is a bottom rear left perspective view thereof;

FIG. 5 is a bottom rear right perspective view thereof;

FIG. 6 is a front view thereof;

FIG. 7 is a rear view thereof;

FIG. 8 is a left side view thereof;

FIG. 9 is a right side view thereof;

FIG. 10 is a top view thereof;

FIG. 11 is a bottom view thereof;

FIG. 12 is a bottom right rear perspective view, in condition of use;

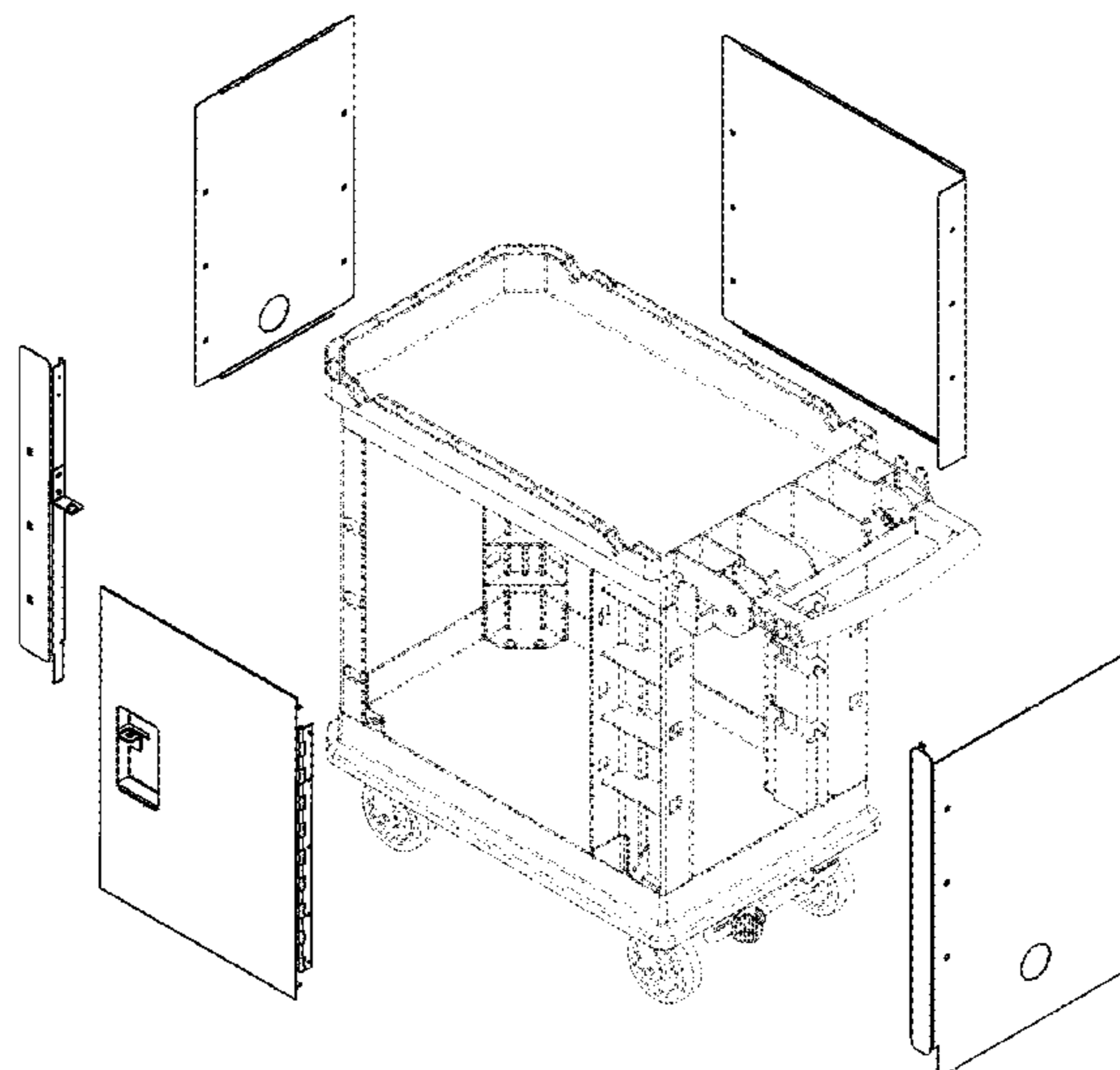
FIG. 13 is a bottom left rear perspective view, in condition of use;

FIG. 14 is a top front right perspective view thereof; and,

FIG. 15 is a top front left perspective view thereof.

The cart shown in broken lines is illustrative environment and forms no part of the claimed design.

1 Claim, 15 Drawing Sheets



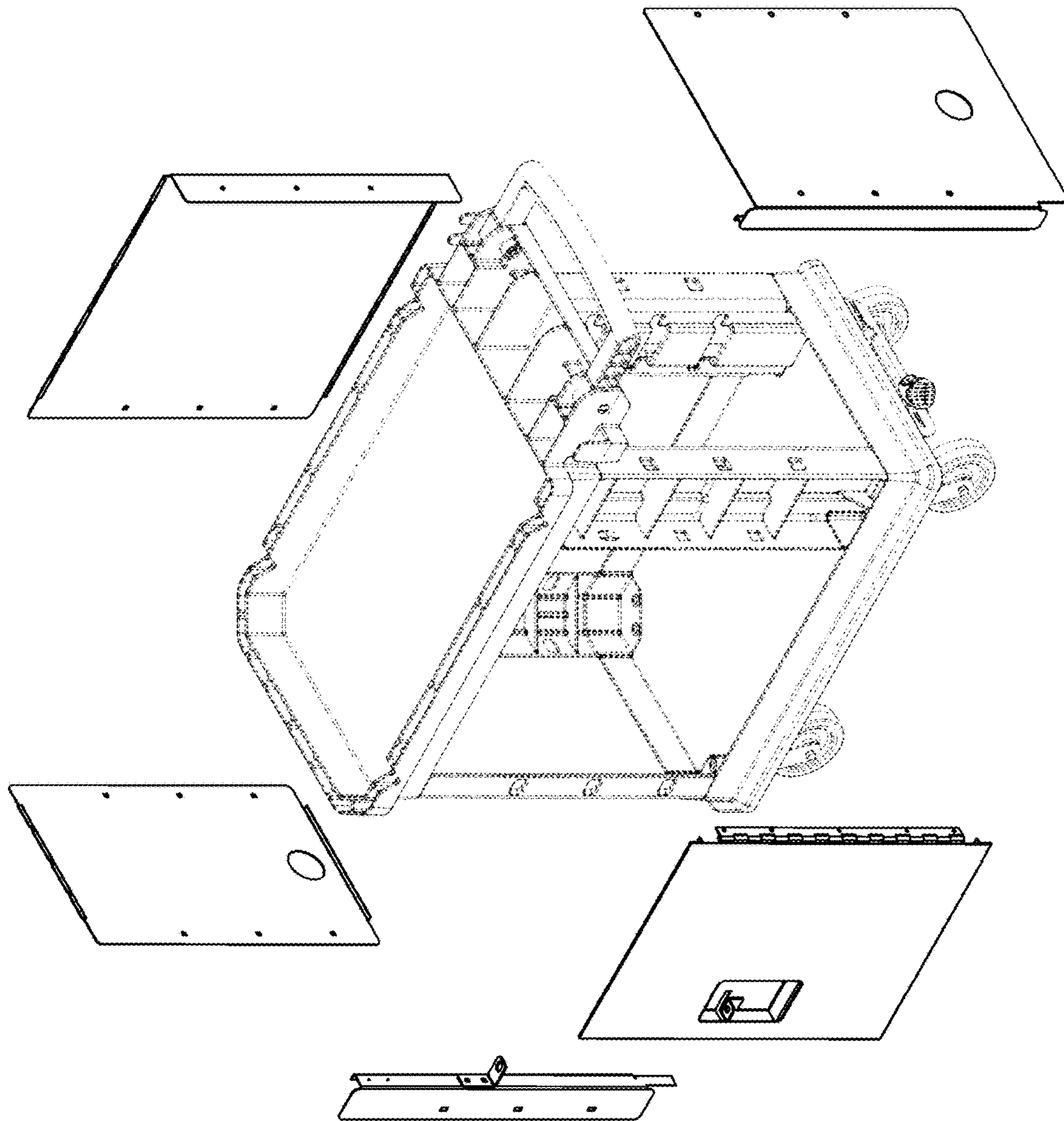


Fig. 1

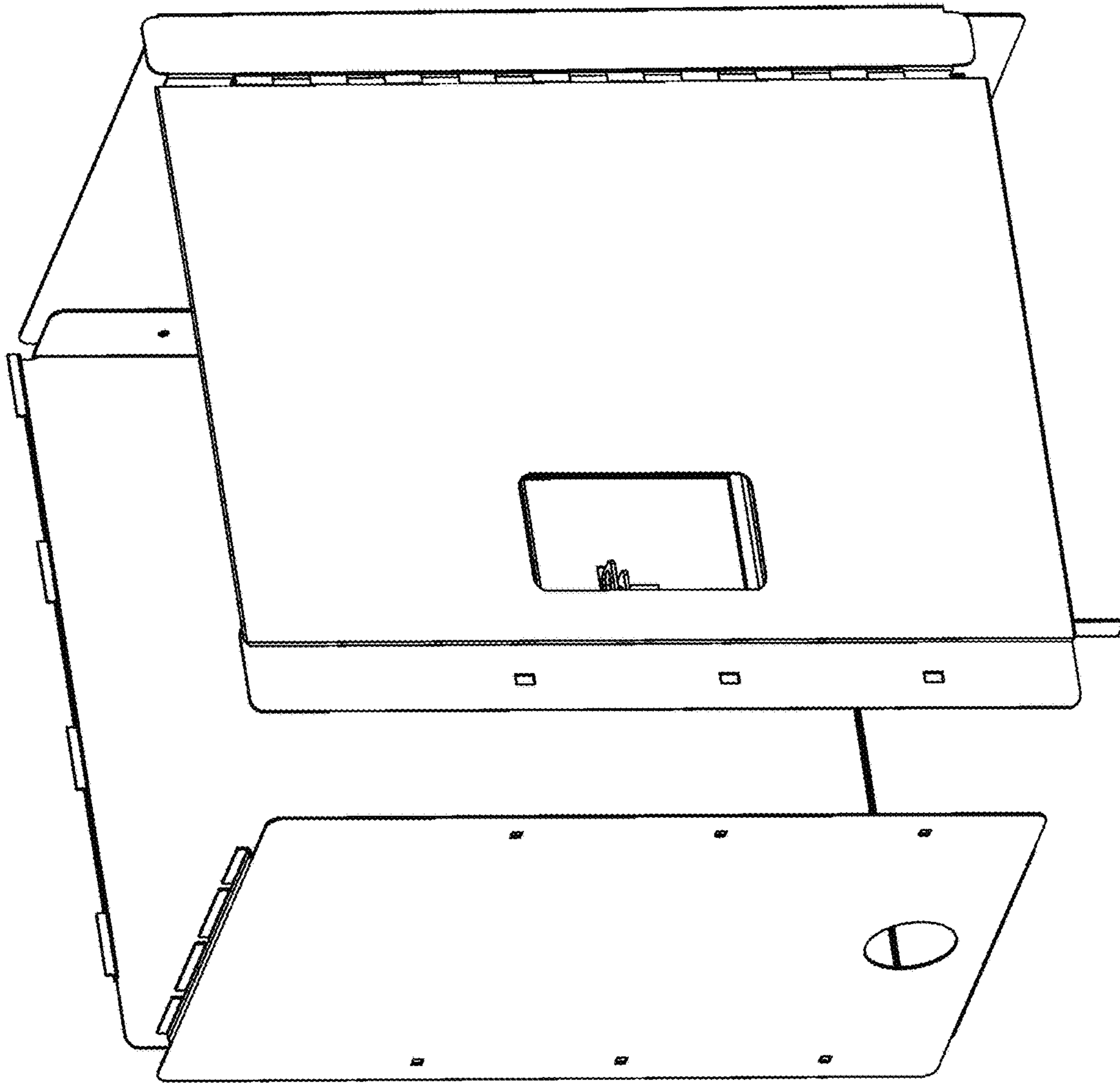


Fig. 2

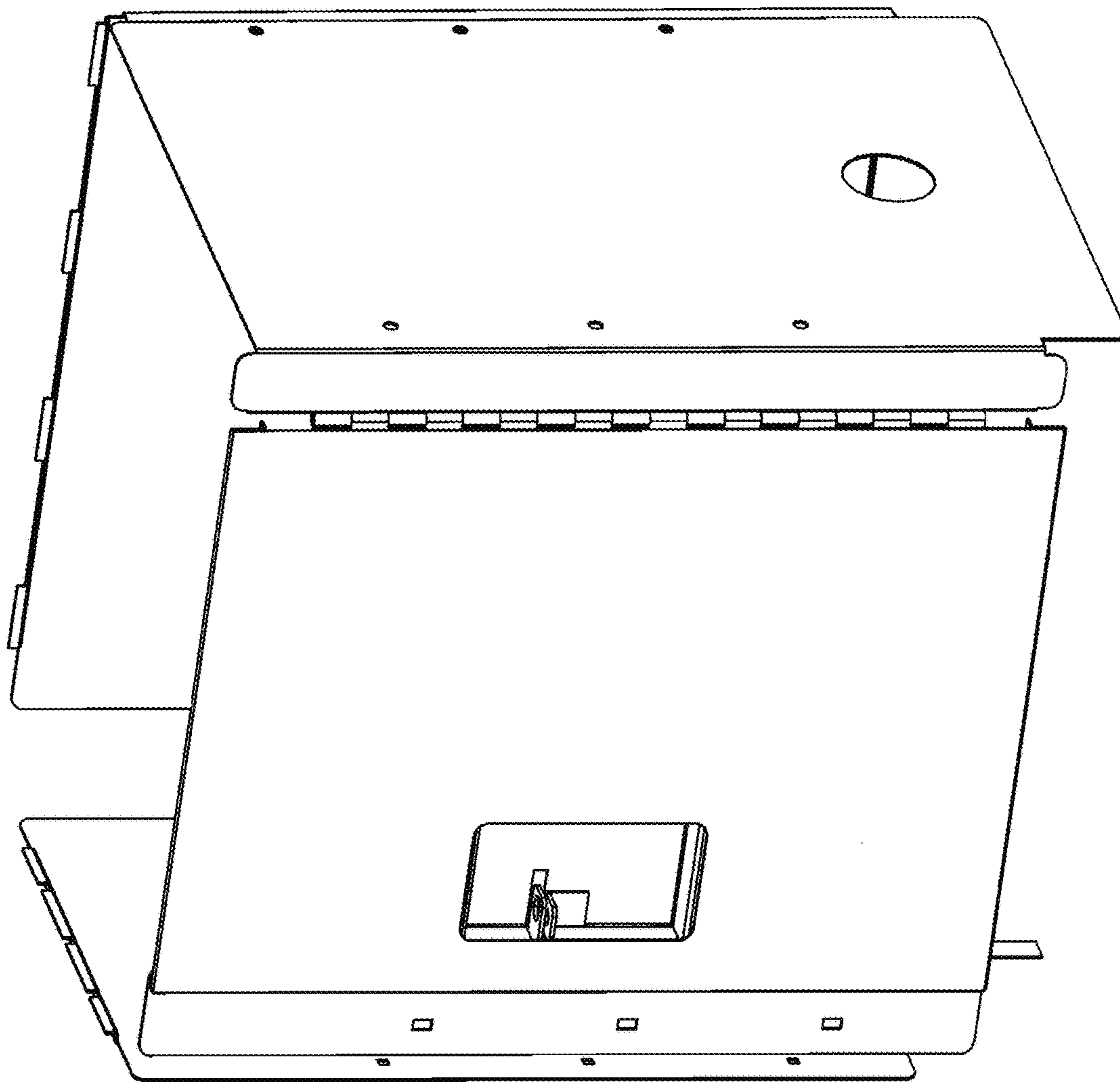


Fig. 3

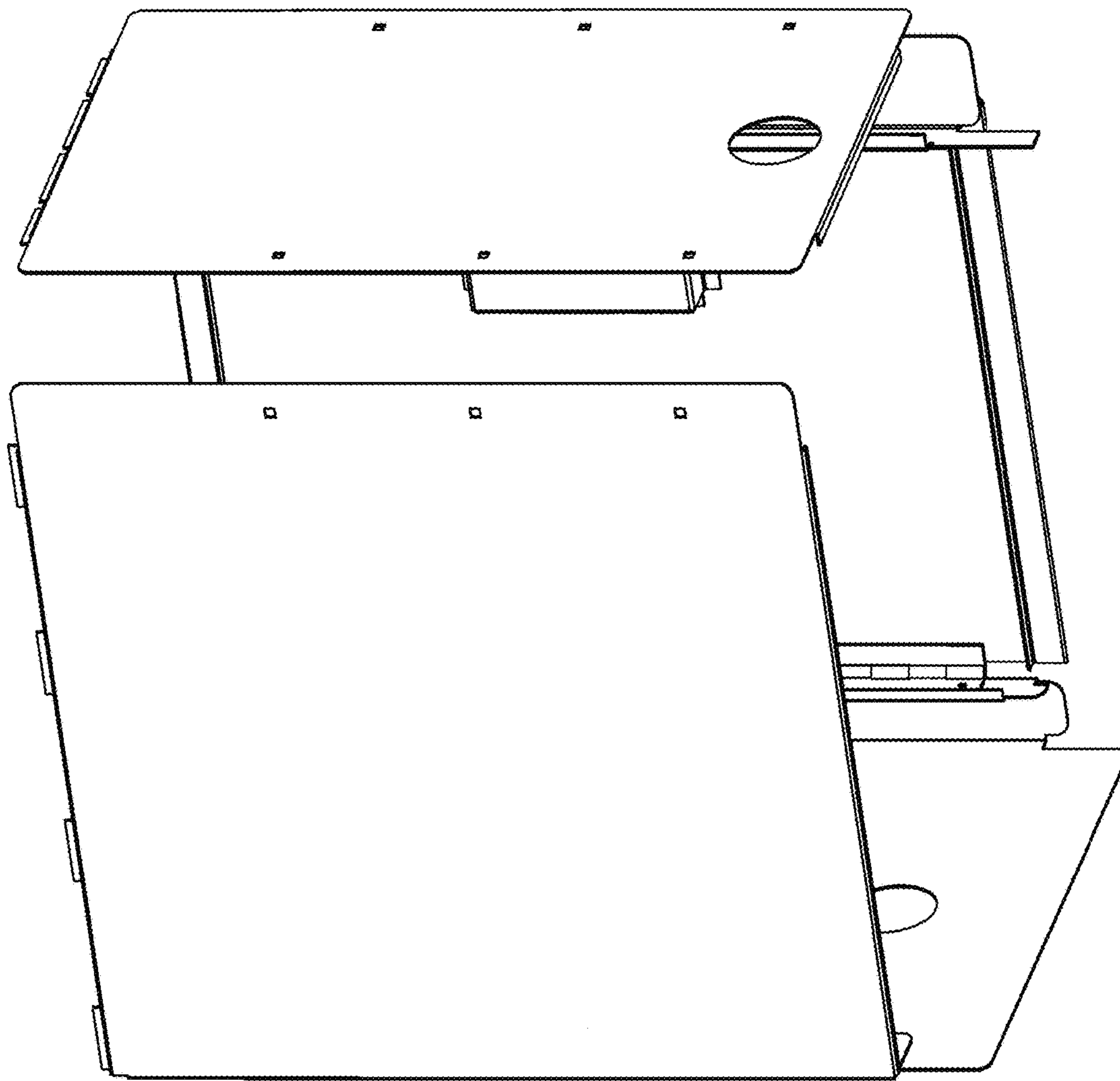


Fig. 4

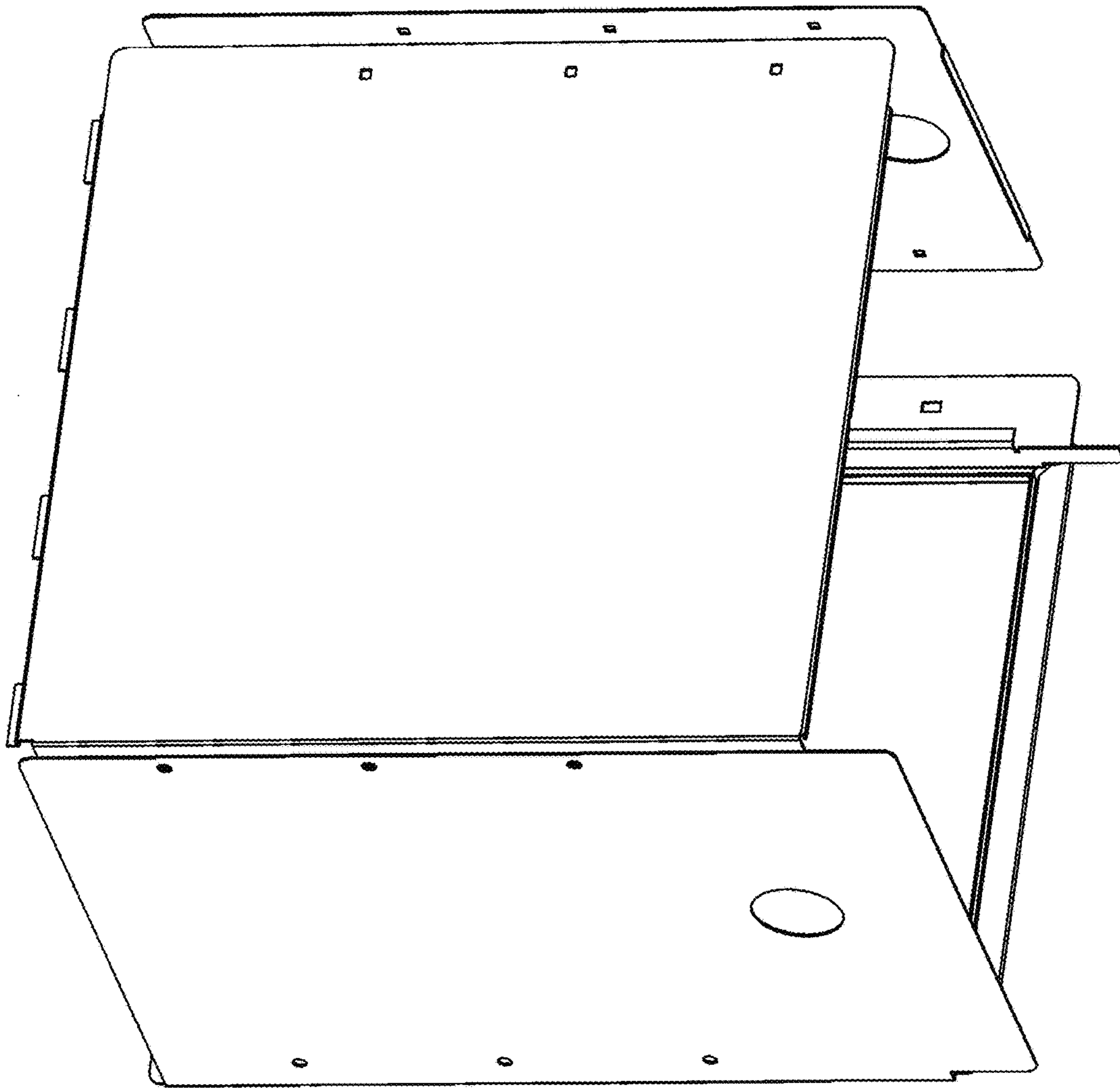


Fig. 5

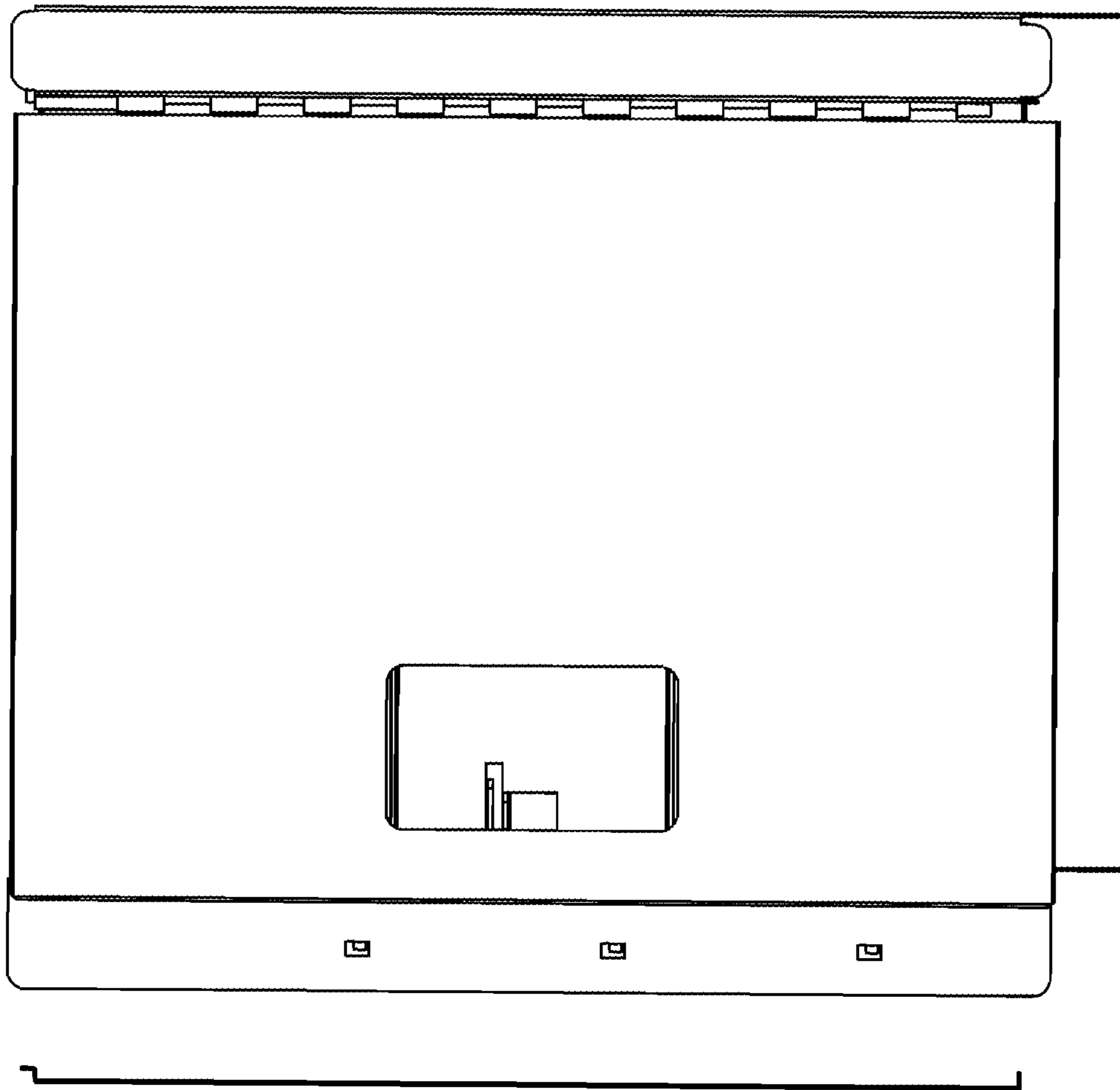


Fig. 6

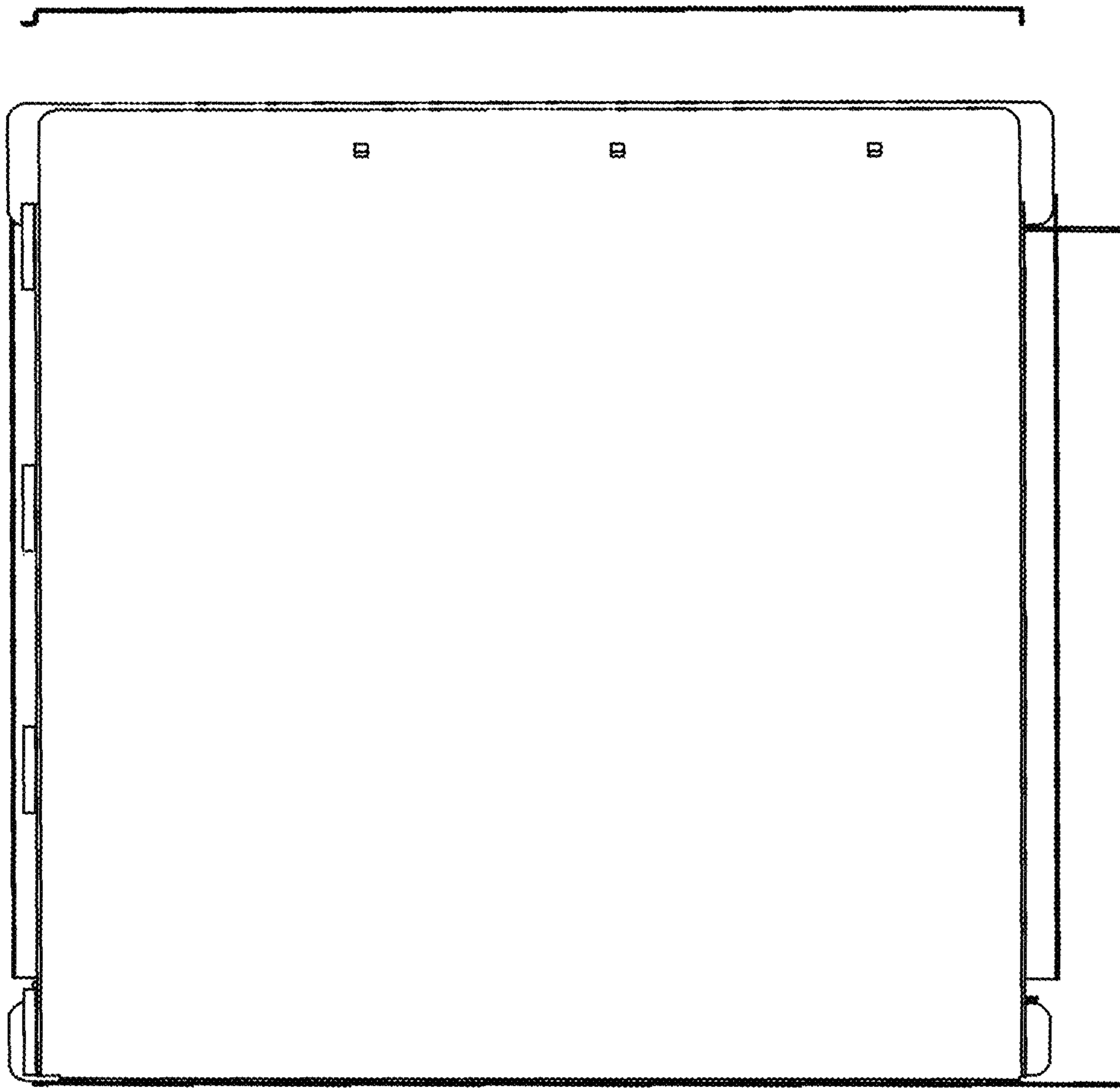


Fig. 7

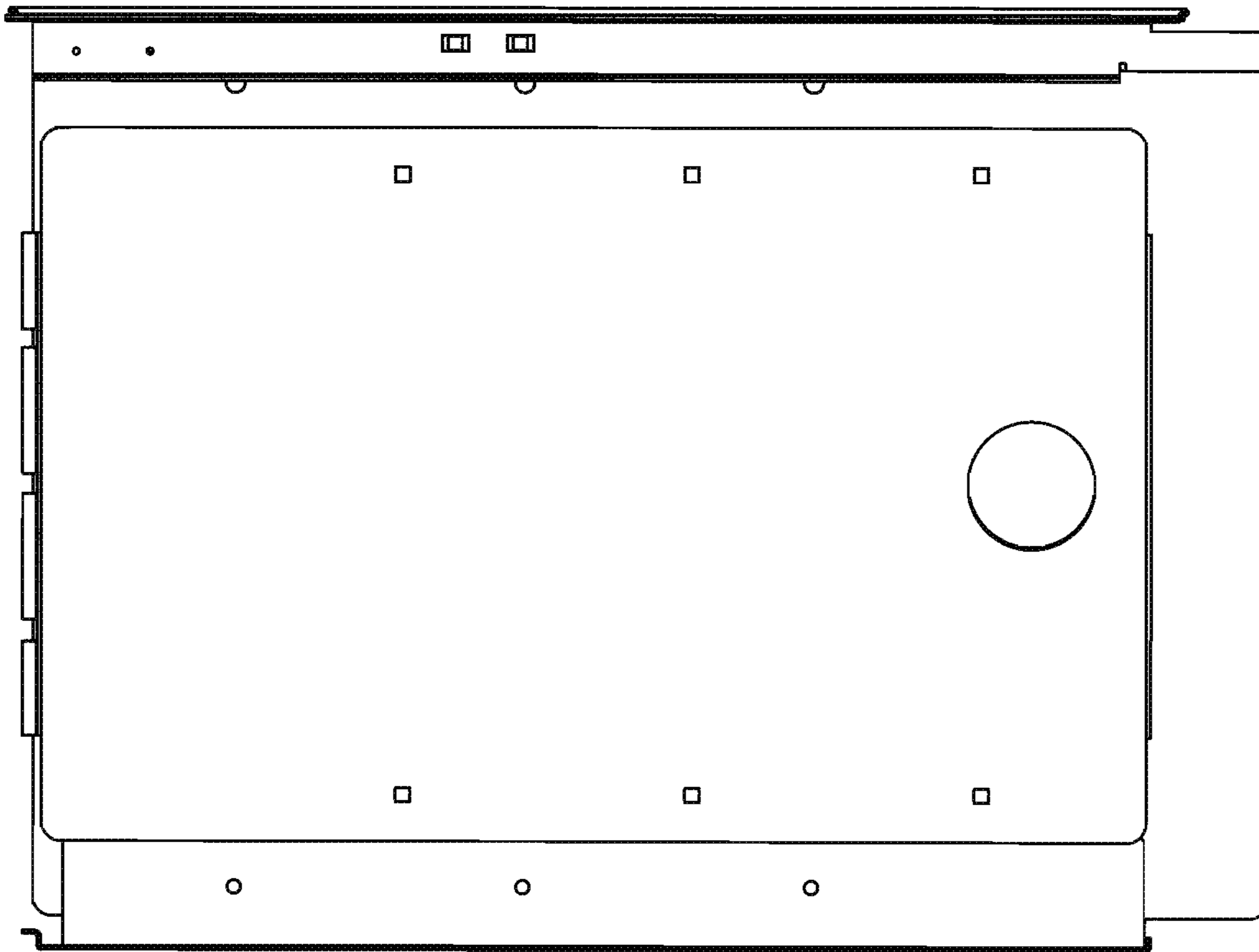


Fig. 8

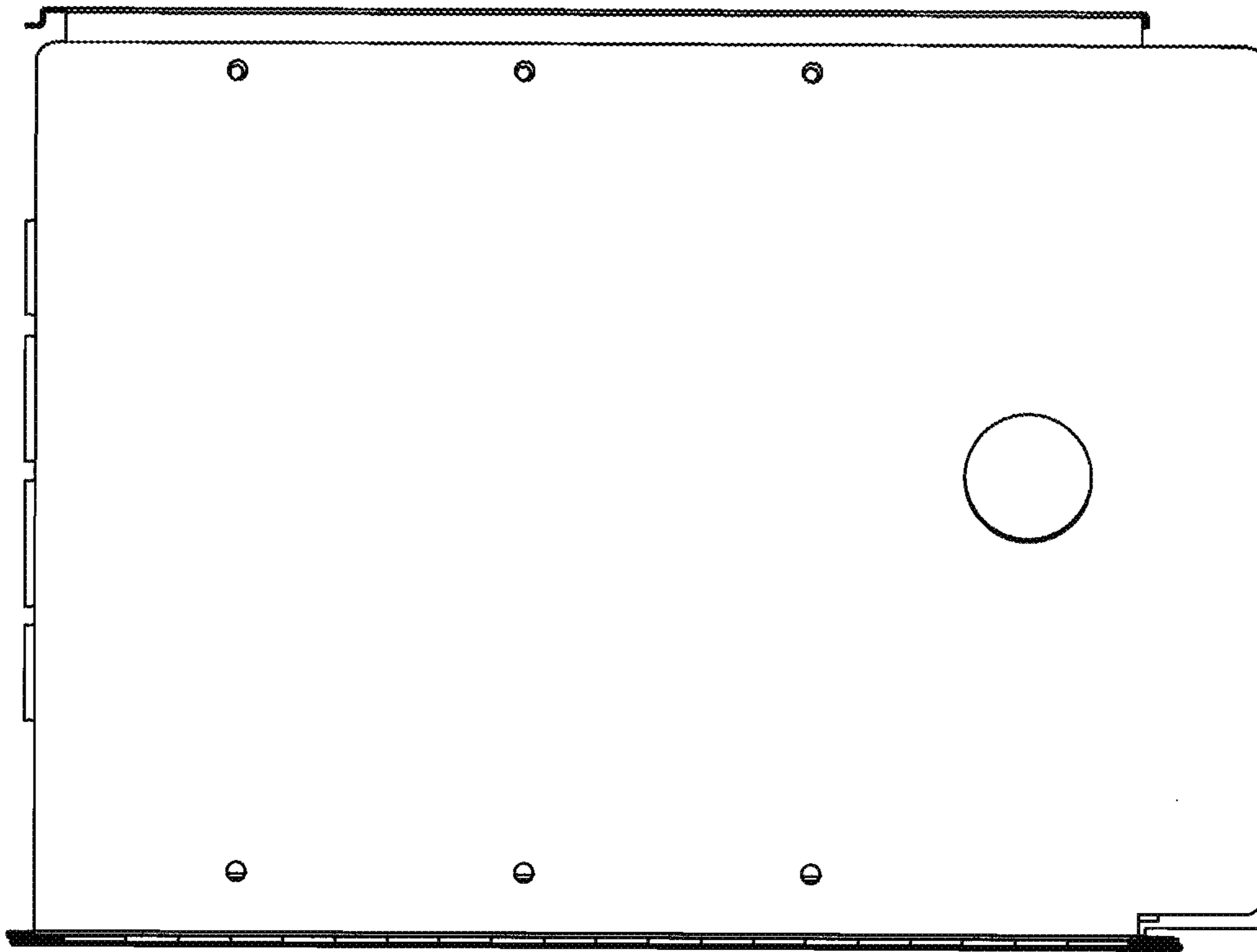


Fig. 9

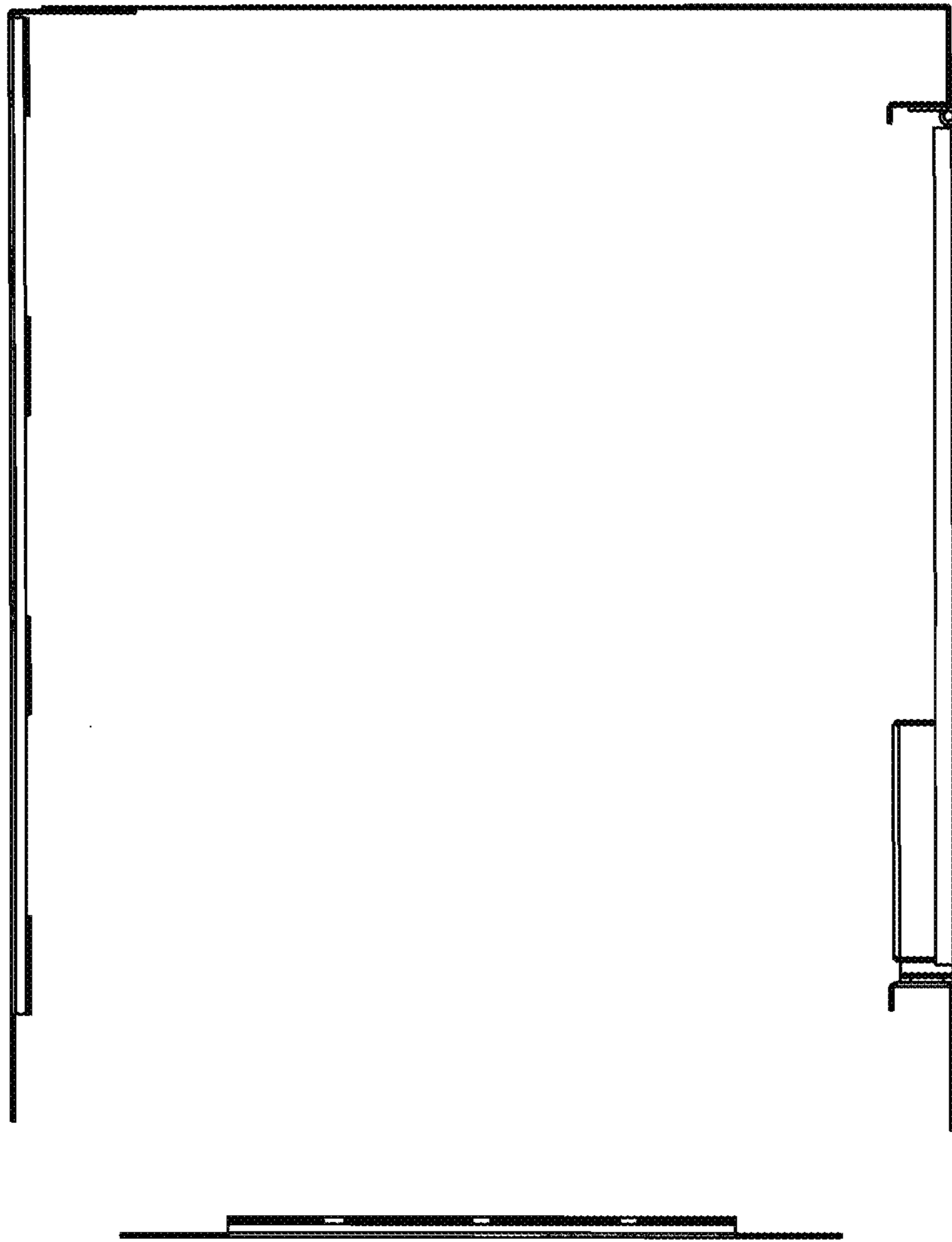


Fig. 10

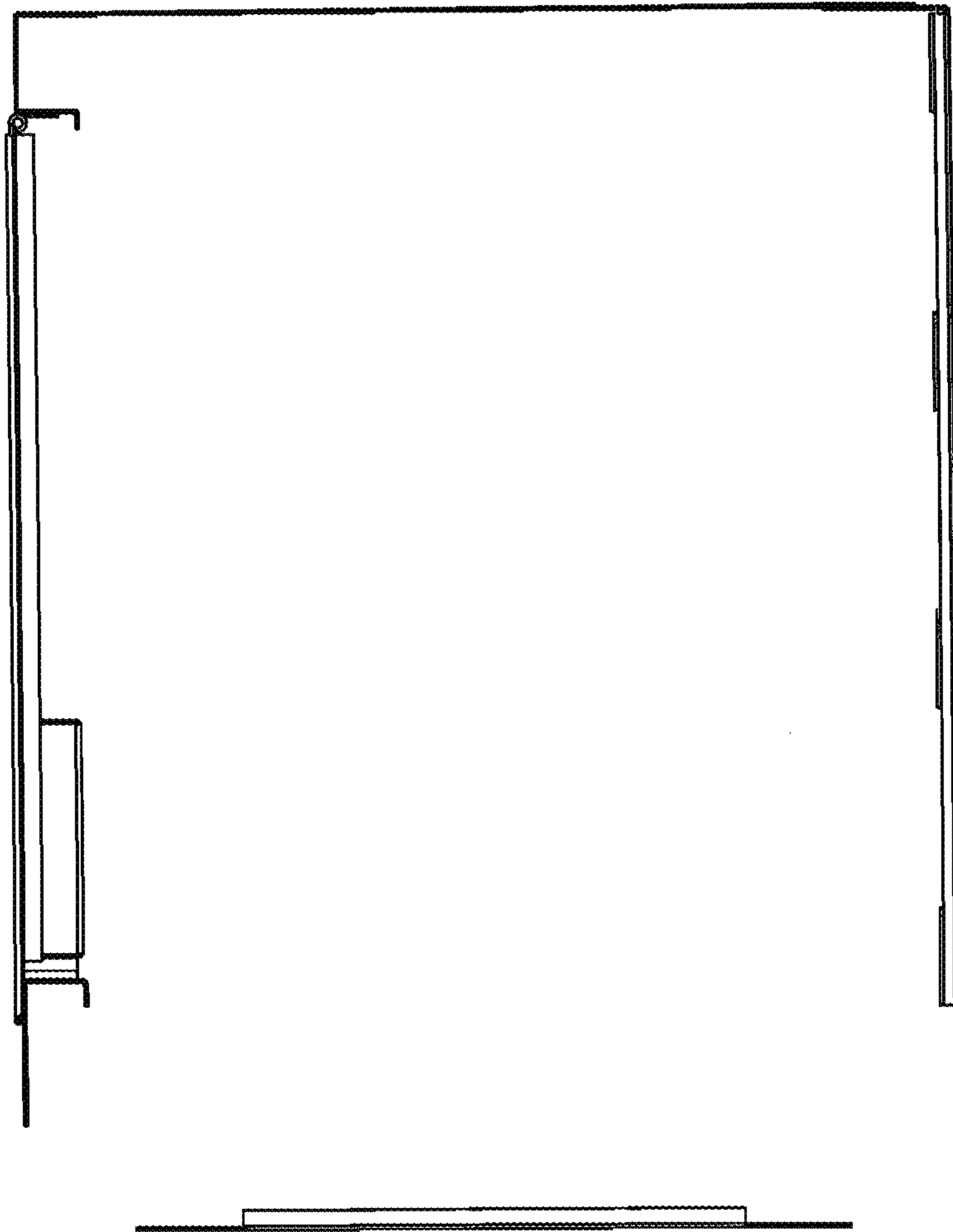


Fig. 11

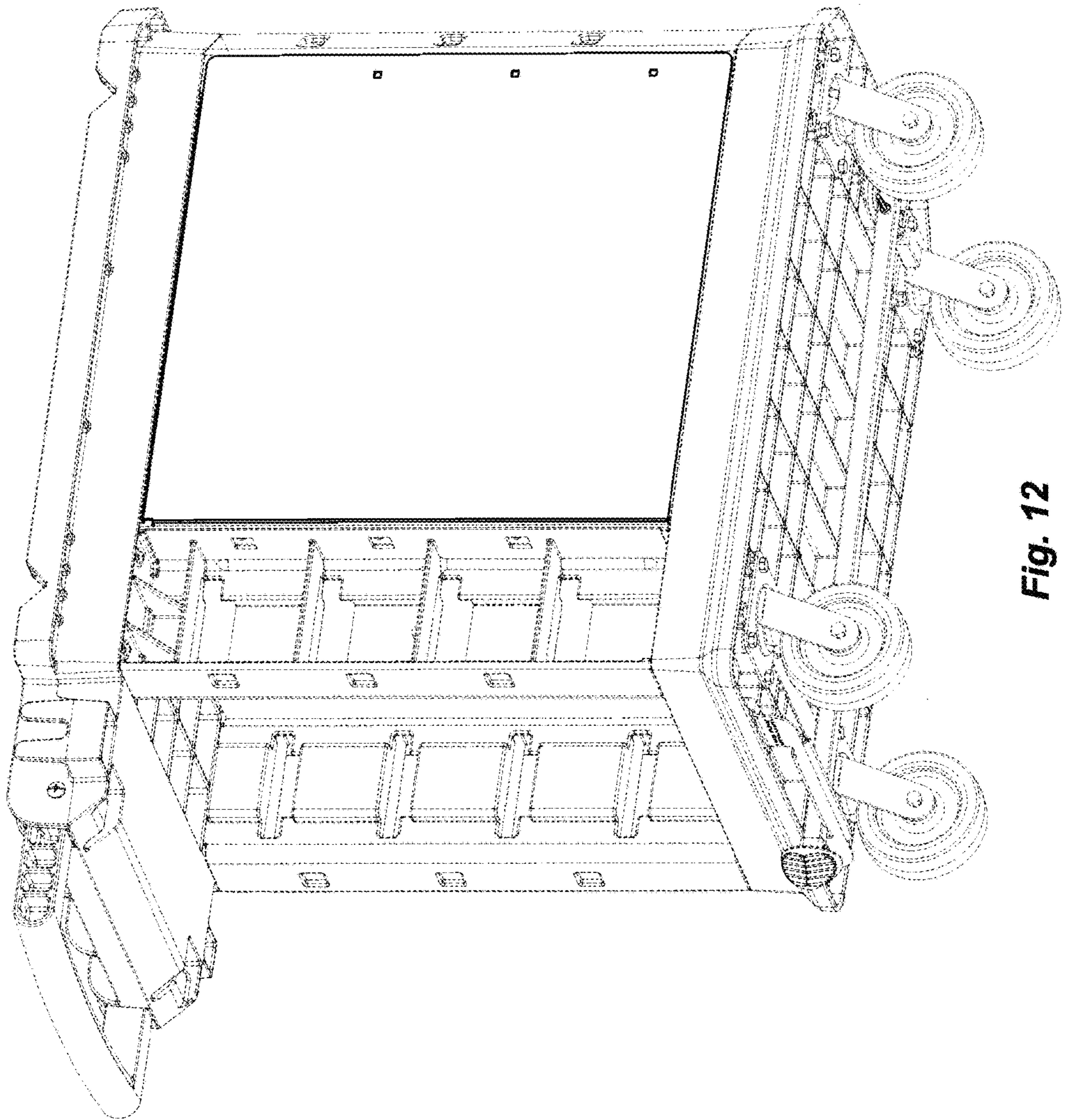


Fig. 12

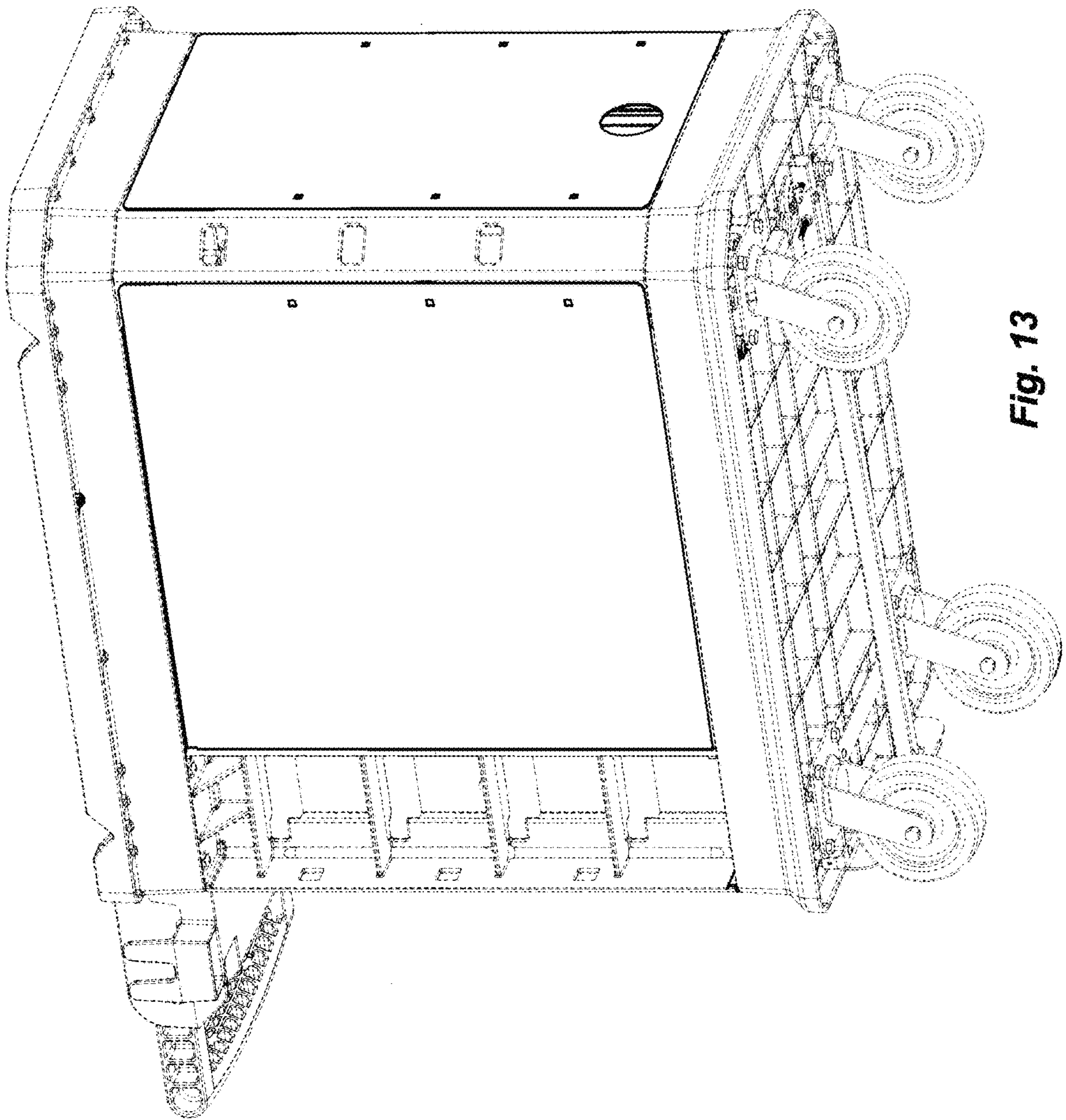


Fig. 13

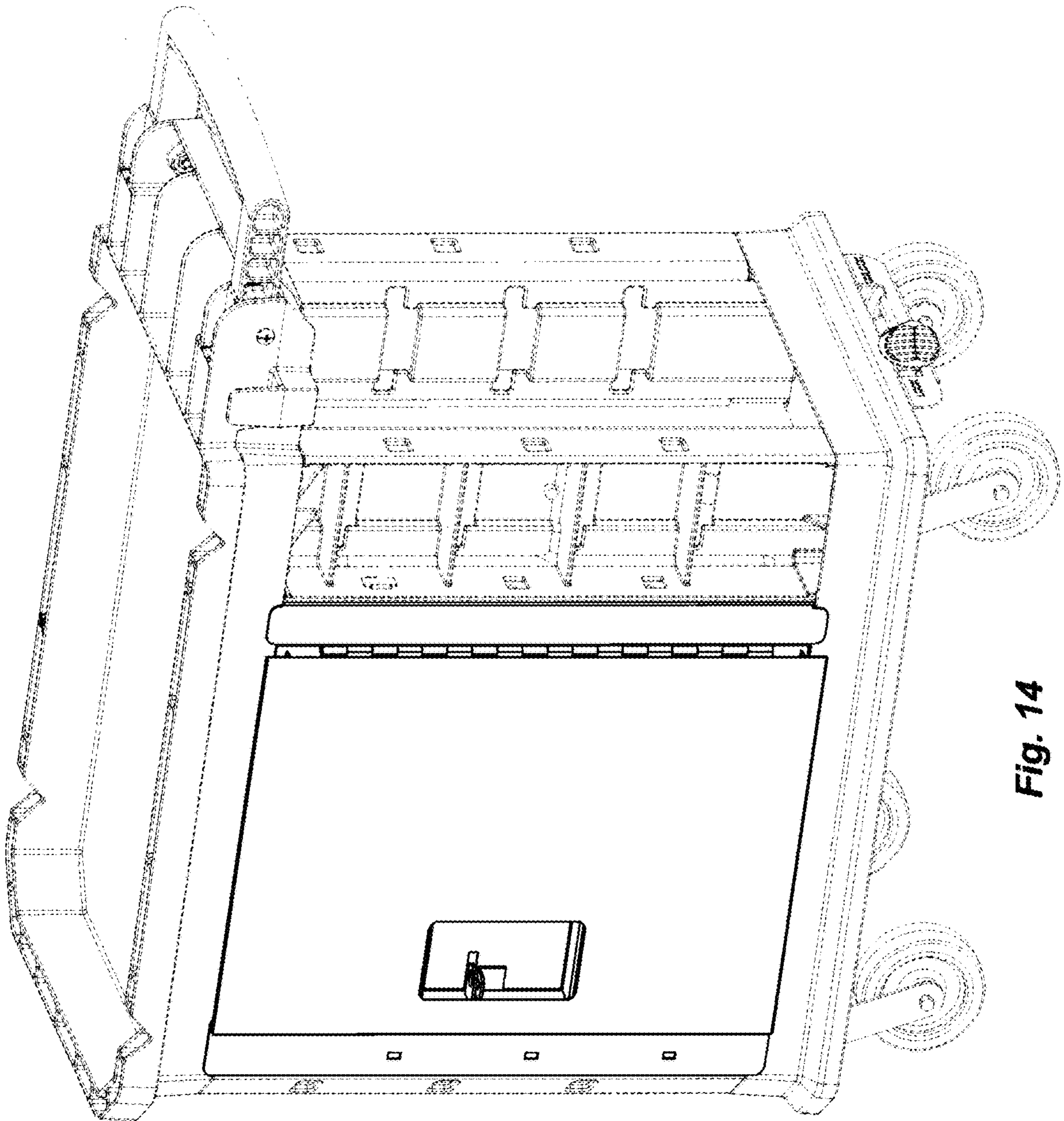


Fig. 14

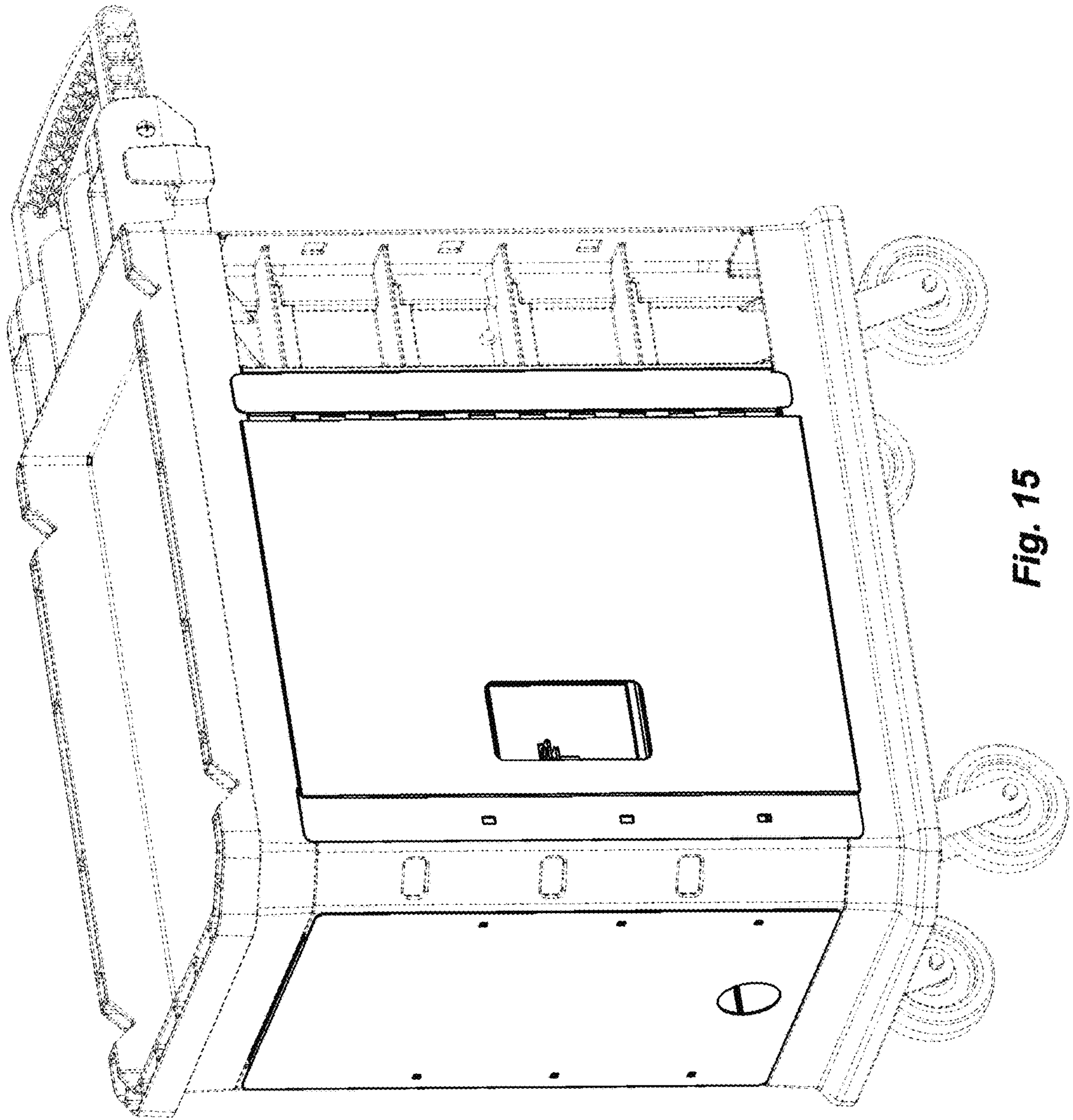


Fig. 15