



US00D910951S

(12) **United States Design Patent** (10) **Patent No.:** **US D910,951 S**
Zemel et al. (45) **Date of Patent:** **** Feb. 16, 2021**

(54) **SCRAPER**
(71) Applicant: **Mr. Bar-B-Q Products LLC**, Melville, NY (US)
(72) Inventors: **Marc Zemel**, Melville, NY (US); **Joanne Rudis**, Melville, NY (US)
(73) Assignee: **MR. BAR-B-Q PRODUCTS LLC**, Melville, NY (US)

2,891,360 A 6/1959 Duffie
D189,235 S 11/1960 Racina
3,629,895 A 12/1971 Colgan
D223,314 S 4/1972 Goldfeder
D236,071 S 7/1975 Zemke
4,052,934 A 10/1977 Shinman
4,056,863 A 11/1977 Gunjian
D247,075 S 1/1978 Krusche
(Continued)

(**) Term: **15 Years**

CA 134959 * 11/2010

(21) Appl. No.: **29/713,768**

OTHER PUBLICATIONS

(22) Filed: **Nov. 19, 2019**

Amazon.com : Mr Bar B Q 06405 Hydro Grill Brush Blaster, review 2012, <https://www.amazon.com/06405-Hydro-Grill-Brush-Blaster/dp/B0043M5RJ0>, site visited Dec. 19, 2020.*

(51) **LOC (13) Cl.** **07-05**

(52) **U.S. Cl.**
USPC **D32/46**

(58) **Field of Classification Search**
USPC D32/46, 49-52; D7/688; D8/105; D4/104, 138
CPC A47L 13/10; A47L 13/12; A47J 37/0786; A47J 37/00
See application file for complete search history.

Primary Examiner — John R Yeh
(74) *Attorney, Agent, or Firm* — Carter, Deluca & Farrell LLP

(57) **CLAIM**

The ornamental design for a scraper, as shown and described.

(56) **References Cited**

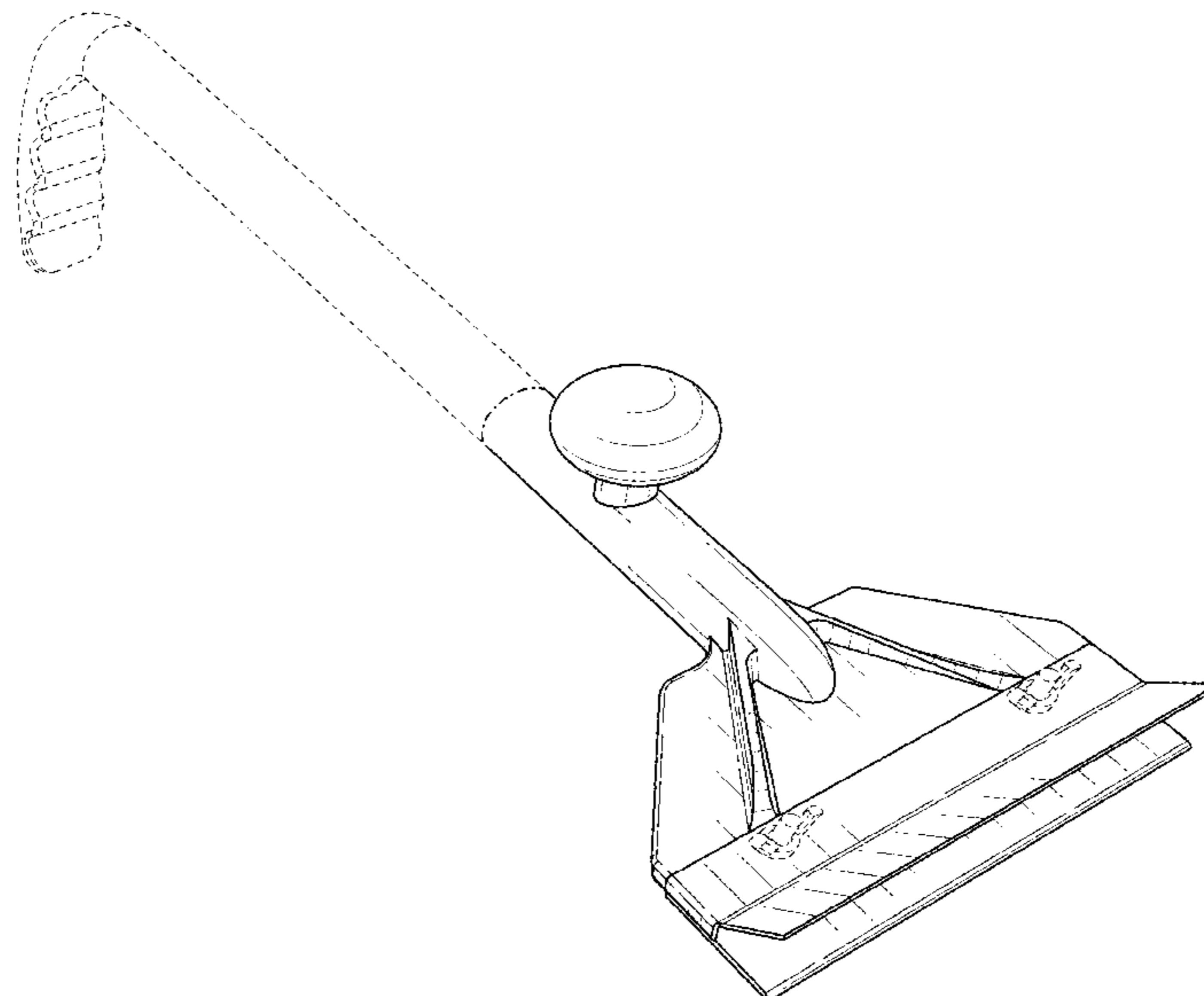
U.S. PATENT DOCUMENTS

201,688 A 3/1878 Leiner
1,501,547 A 7/1924 Bassett
1,587,024 A 6/1926 Murphy
1,635,970 A 7/1927 Cave
D104,029 S 4/1937 Gray
2,116,864 A 5/1938 Fehrenbach
2,167,196 A 7/1939 Bothum
2,186,832 A 1/1940 Hertzberg
D138,896 S 9/1944 Edmonds
D146,729 S 4/1947 Storm
D160,736 S 10/1950 Racicot
2,573,770 A 11/1951 Meadow
2,732,096 A 1/1956 Siciliano
RE24,581 E 12/1958 Escaut

DESCRIPTION

FIG. 1 is a perspective view of a scraper in accordance with the present design;
FIG. 2 is a front elevational view thereof;
FIG. 3 is a rear elevational view thereof;
FIG. 4 is a right side elevational view thereof;
FIG. 5 is a left side elevational view thereof;
FIG. 6 is a top plan view thereof; and,
FIG. 7 is a bottom plan view thereof.
The broken lines shown in the drawings illustrate portions of the scraper that form no part of the claimed design.

1 Claim, 6 Drawing Sheets



(56)

References Cited

U.S. PATENT DOCUMENTS

4,091,579	A	5/1978	Giangiulio	D502,323	S	3/2005	Zemel	
D249,621	S	9/1978	Ondrasik, II	D503,071	S	3/2005	Lu	
4,146,943	A	4/1979	Wertheimer et al.	6,941,857	B2	9/2005	McLemore	
4,167,796	A	9/1979	De Pamphilis	D522,247	S	6/2006	Moore	
4,730,949	A	3/1988	Wilson	D523,198	S	* 6/2006	Veltrop	D32/49
4,819,291	A	4/1989	Gunjian	D523,601	S	* 6/2006	Veltrop	D32/49
D305,468	S	* 1/1990	Yonkers	D528,857	S	9/2006	Zemel	
4,951,558	A	8/1990	Figliuzzi	D529,333	S	10/2006	Zemel	
D344,634	S	3/1994	Berti	D529,335	S	10/2006	Zemel	
D345,653	S	4/1994	Joyner et al.	D531,853	S	11/2006	Zemel	
D346,698	S	5/1994	Hinnant	D532,609	S	11/2006	Zemel	
D349,193	S	8/1994	Sloan et al.	D533,397	S	12/2006	Zemel	
D355,529	S	2/1995	Tsai	D534,001	S	12/2006	Zemel	
D358,491	S	5/1995	Hoagland	D535,147	S	1/2007	Zemel	
D360,763	S	8/1995	Camp, Jr. et al.	D535,519	S	1/2007	Zemel	
D362,793	S	10/1995	Khan et al.	D540,543	S	4/2007	Hay	
D362,937	S	10/1995	Camp, Jr. et al.	D544,213	S	6/2007	Dow et al.	
5,471,700	A	12/1995	Pereira	D544,714	S	6/2007	Zemel	
D365,897	S	* 1/1996	Pereira	D544,750	S	6/2007	Zemel	
5,479,673	A	1/1996	Carton	D545,120	S	6/2007	Zemel	
D366,962	S	2/1996	Whitaker	D545,121	S	6/2007	Zemel	
D369,472	S	5/1996	Laubach, III et al.	D547,553	S	7/2007	Borovicka et al.	
D373,251	S	9/1996	Young	D550,504	S	9/2007	Zemel	
D374,557	S	10/1996	Whitaker	D562,009	S	2/2008	Zemel	
D381,483	S	7/1997	Hartman	D562,062	S	2/2008	Zemel	
D392,104	S	3/1998	Berti	D562,064	S	2/2008	Zemel	
D400,328	S	10/1998	Zemel	D562,563	S	2/2008	Wales	
5,826,494	A	10/1998	Wang	D563,675	S	3/2008	Zemel	
D403,165	S	12/1998	Ferrante et al.	D563,677	S	3/2008	Zemel	
D411,368	S	6/1999	Liu	D564,292	S	3/2008	Zemel	
D417,121	S	11/1999	Brunianyn	D566,460	S	4/2008	Zemel	
D417,550	S	12/1999	Lu	D567,511	S	4/2008	Borovicka	
6,023,810	A	2/2000	Gessert	D569,174	S	5/2008	Zemel	
D422,792	S	4/2000	Liu	D572,079	S	7/2008	Zemel	
D427,025	S	6/2000	Lee	D572,080	S	7/2008	Zemel	
D427,858	S	7/2000	Zemel	D574,184	S	8/2008	Zemel	
D429,889	S	8/2000	Fielding	D577,495	S	9/2008	Borovicka	
6,103,291	A	8/2000	Fernandez Tapia	D578,826	S	10/2008	Lu	
D431,753	S	10/2000	Cohen et al.	D579,269	S	10/2008	Zemel	
D431,960	S	10/2000	Hay	D579,668	S	11/2008	Zemel	
D437,691	S	2/2001	Weiss	D580,659	S	11/2008	Zemel	
6,216,306	B1	4/2001	Esterson et al.	D584,514	S	1/2009	Dale et al.	
D442,026	S	5/2001	Rae	D587,871	S	* 3/2009	van Deursen	D32/46
D445,257	S	7/2001	Hay	D588,318	S	* 3/2009	van Deursen	D32/49
D445,654	S	7/2001	Yu	D588,868	S	3/2009	Zemel	
6,269,737	B1	8/2001	Rigney	D589,705	S	4/2009	Zemel	
D448,973	S	10/2001	Hay et al.	D590,600	S	4/2009	Dow et al.	
D454,003	S	3/2002	Saxon	D597,740	S	8/2009	Borovicka et al.	
D455,272	S	4/2002	Zemel	D601,345	S	10/2009	Wales	
D456,207	S	4/2002	Zemel	D601,346	S	10/2009	Wales	
D456,614	S	5/2002	Zemel	D601,347	S	10/2009	Wales	
D456,615	S	5/2002	Zemel	D601,350	S	10/2009	Wales	
D456,667	S	5/2002	Veltri et al.	D601,808	S	10/2009	Wales	
6,438,784	B1	8/2002	Yu	7,632,033	B2	12/2009	Wales	
6,443,646	B1	9/2002	MacDonald	D609,015	S	2/2010	Borovicka	
D463,952	S	10/2002	Zemel	D616,204	S	5/2010	Zemel	
D465,336	S	11/2002	Zemel	D618,499	S	6/2010	Zemel	
D466,307	S	12/2002	Cantrell	D622,542	S	8/2010	Zemel	
6,499,174	B2	12/2002	Henrie	D629,650	S	12/2010	Funka, Jr. et al.	
D468,107	S	1/2003	Shen	D631,289	S	1/2011	Tuli	
D470,985	S	* 2/2003	Zemel	D632,088	S	2/2011	Zemel	
D471,365	S	3/2003	Henrie	7,909,526	B2	3/2011	Wales	
D474,644	S	5/2003	Zemel	8,032,974	B2	10/2011	Carpenter	
D476,525	S	7/2003	Zemel	8,067,716	B1	11/2011	Lloyd	
D481,906	S	11/2003	Knor	D650,590	S	12/2011	Carlson et al.	
D482,566	S	11/2003	Zemel	D652,629	S	1/2012	Zemel	
D482,569	S	11/2003	Zemel	D653,036	S	1/2012	Fifer	
D487,638	S	3/2004	Libman et al.	D653,073	S	1/2012	Difante	
D491,413	S	6/2004	Rosenthal	D654,272	S	2/2012	Zemel	
D492,543	S	7/2004	Munari	D655,093	S	3/2012	Raven	
D494,006	S	8/2004	Zemel	D655,511	S	* 3/2012	Zemel	D4/131
D494,807	S	8/2004	Zemel	8,146,284	B2	4/2012	Smith	
D496,558	S	9/2004	Zemel	D658,433	S	5/2012	Zemel	
D499,852	S	* 12/2004	Trunecek	D658,894	S	5/2012	Zemel	
D502,001	S	2/2005	Hay	D658,937	S	5/2012	Zemel	
				D659,925	S	* 5/2012	Zemel	D32/49
				D660,141	S	5/2012	Zemel	
				D661,906	S	6/2012	Zemel	
				D663,125	S	7/2012	Zemel	

(56)

References Cited

U.S. PATENT DOCUMENTS

D663,159 S 7/2012 Zemel
 D663,531 S 7/2012 Zemel
 D664,363 S 7/2012 Rothman
 D665,178 S 8/2012 Zemel
 D690,115 S 9/2013 Zemel et al.
 D690,116 S 9/2013 Zemel et al.
 D690,153 S 9/2013 Zemel
 D690,943 S 10/2013 Pelo
 D691,379 S 10/2013 Gunjian
 D695,019 S 12/2013 Zemel et al.
 8,615,838 B1 12/2013 Lu
 D699,037 S 2/2014 Morrison
 D699,949 S 2/2014 Zemel et al.
 D701,389 S 3/2014 Gunjian
 D702,996 S 4/2014 Zemel et al.
 8,713,739 B1 5/2014 Alas et al.
 D720,106 S 12/2014 Zemel
 D720,933 S 1/2015 Albers
 D733,495 S 7/2015 Tyson
 9,101,205 B2 8/2015 Gunjian
 D737,626 S 9/2015 Lu
 D741,605 S 10/2015 Witzel
 D748,399 S 2/2016 Lu
 D753,403 S 4/2016 Zemel et al.
 D753,404 S 4/2016 Zemel
 D753,890 S * 4/2016 Zemel D32/46
 D755,012 S 5/2016 Zemel et al.
 D756,660 S 5/2016 Zemel et al.
 D758,684 S * 6/2016 Lawson D32/48
 9,357,832 B2 6/2016 Gonzalez et al.
 D763,581 S 8/2016 Zemel et al.
 D773,242 S 12/2016 Zemel et al.
 D778,107 S 2/2017 Keating

D784,073 S 4/2017 Keating
 D789,095 S 6/2017 Wales
 D833,153 S 11/2018 Zemel
 D861,271 S * 9/2019 Zemel D32/46
 D861,272 S * 9/2019 Wong D32/46
 10,500,709 B2 * 12/2019 Seuferer B08B 1/00
 2003/0070246 A1 4/2003 Cavalheiro
 2005/0011029 A1 1/2005 Yu
 2009/0031519 A1 2/2009 Carpenter
 2009/0188061 A1 7/2009 Cybulski et al.
 2012/0079667 A1 4/2012 Ashner, II
 2012/0198639 A1 8/2012 Smith
 2014/0250617 A1 9/2014 Gunjian
 2015/0230660 A1 * 8/2015 Roth A47J 37/0786
 401/28
 2015/0327659 A1 11/2015 Gunjian
 2017/0055689 A1 3/2017 Gunjian

OTHER PUBLICATIONS

Amazon.com : Cornucopia Griddle Scraper/Grill Scraper, reviews 2018, <https://www.amazon.com/Cornucopia-Brands-Commercial-Replacement-Restaurant-Style/dp/B01N27UPF0#customerReviews>, site visited Dec. 19, 2020.*
 All Points 85-1213 Grill Scraper, Webstaurant review 2017, <https://www.webstaurantstore.com/all-points-85-1213-grill-scraper-with-6-blade/AP8512> . . . site visited Dec. 19, 2020.*
 KitchenAid, Triple Action Grill Cleaning Brush, posted at the Home Depot [online], posting date not available [site visited Mar. 18, 2016]. Available from the Internet, <URL: <http://www.homedepot.com/p/KitchenAid-Triple-Action-Grill-Cleaning-Brush--530-0057/206409957>>.

* cited by examiner

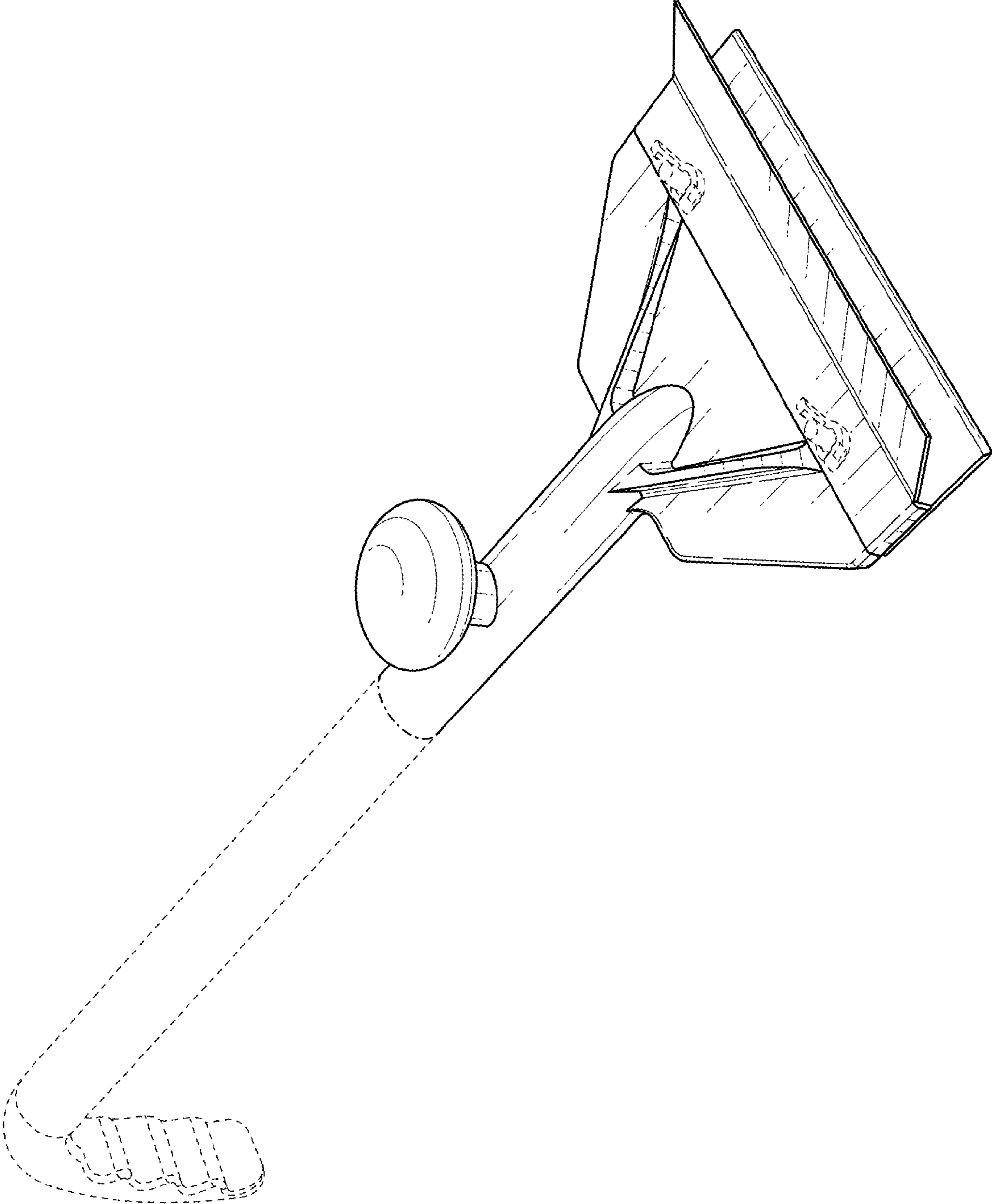


FIG. 1

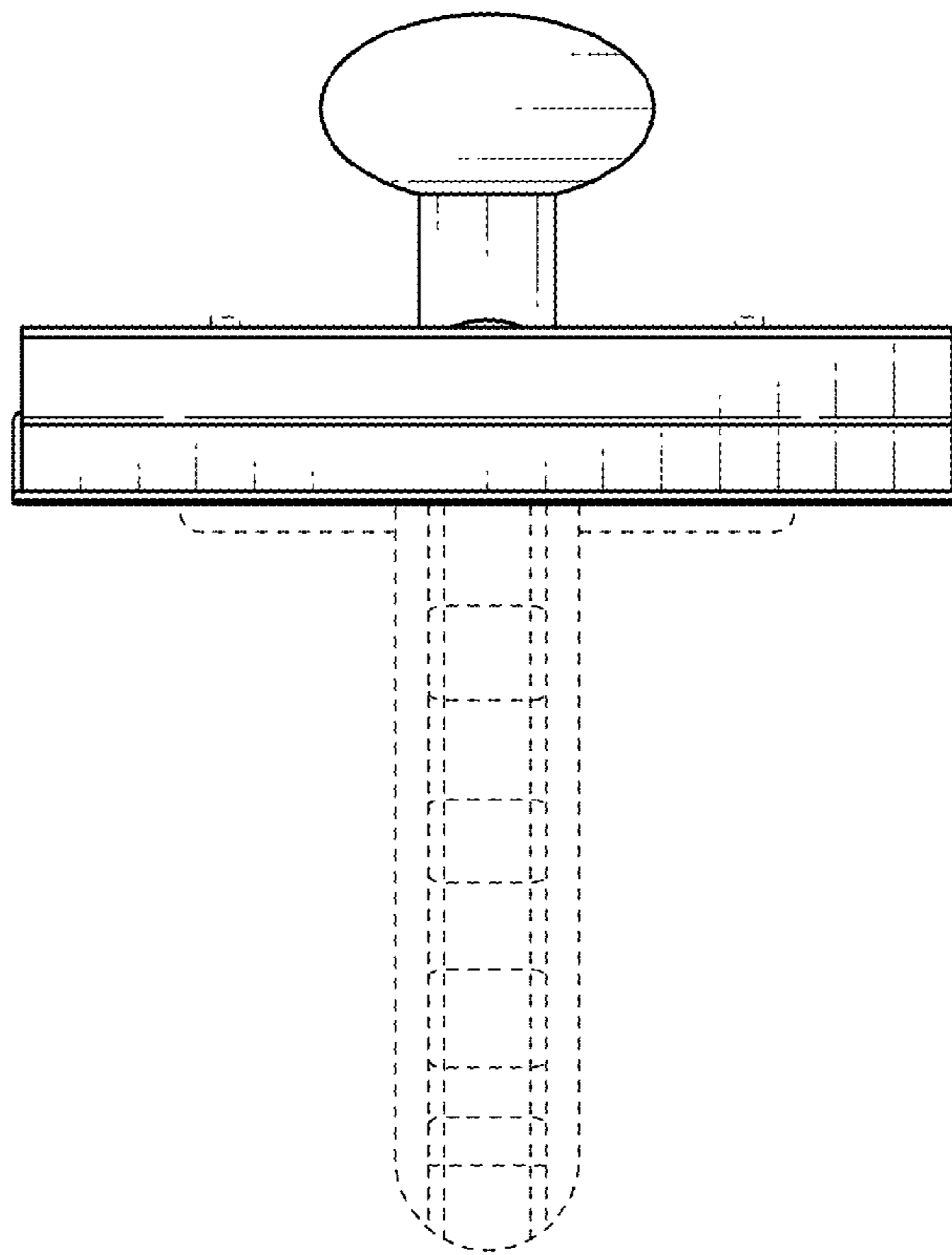


FIG. 2

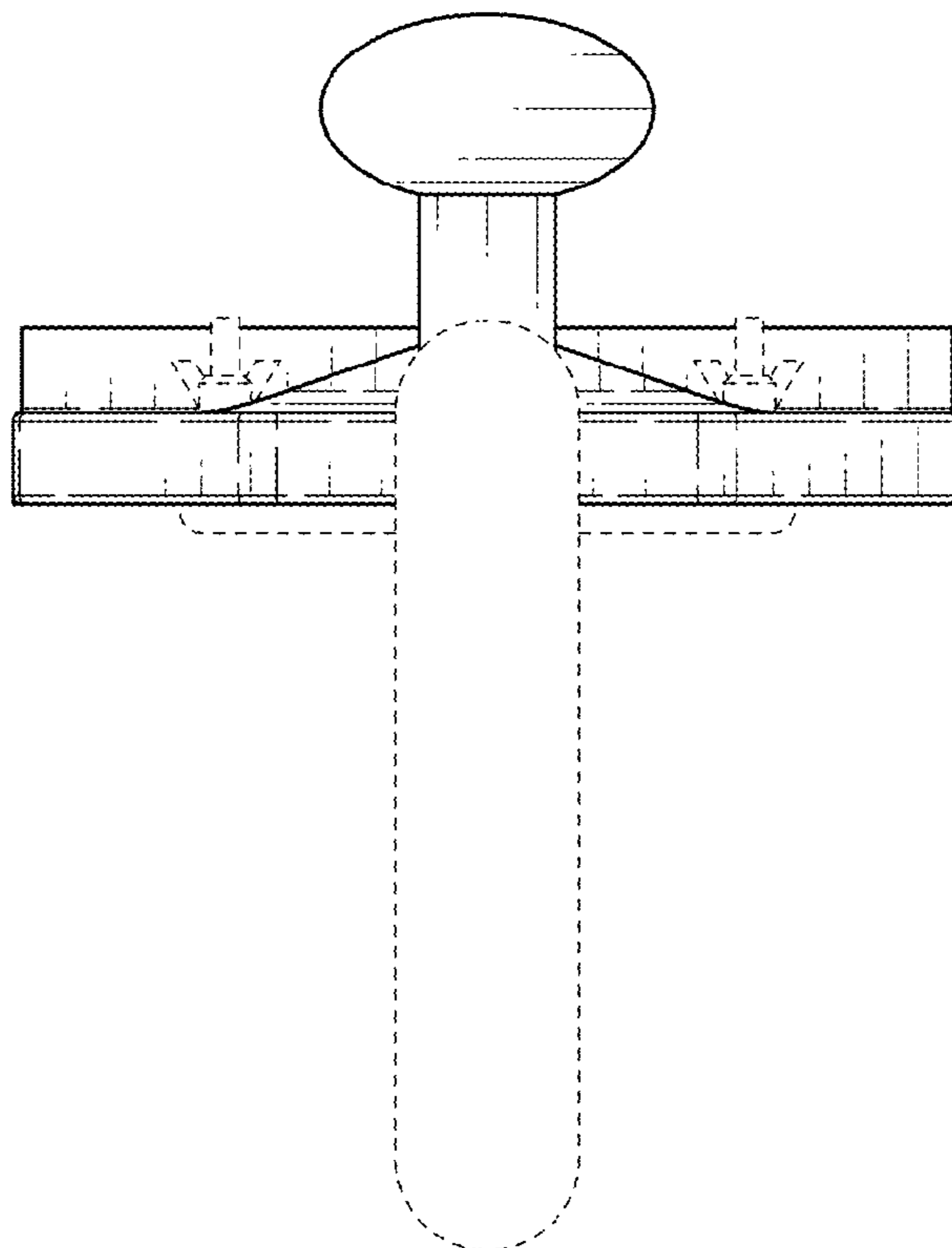


FIG. 3

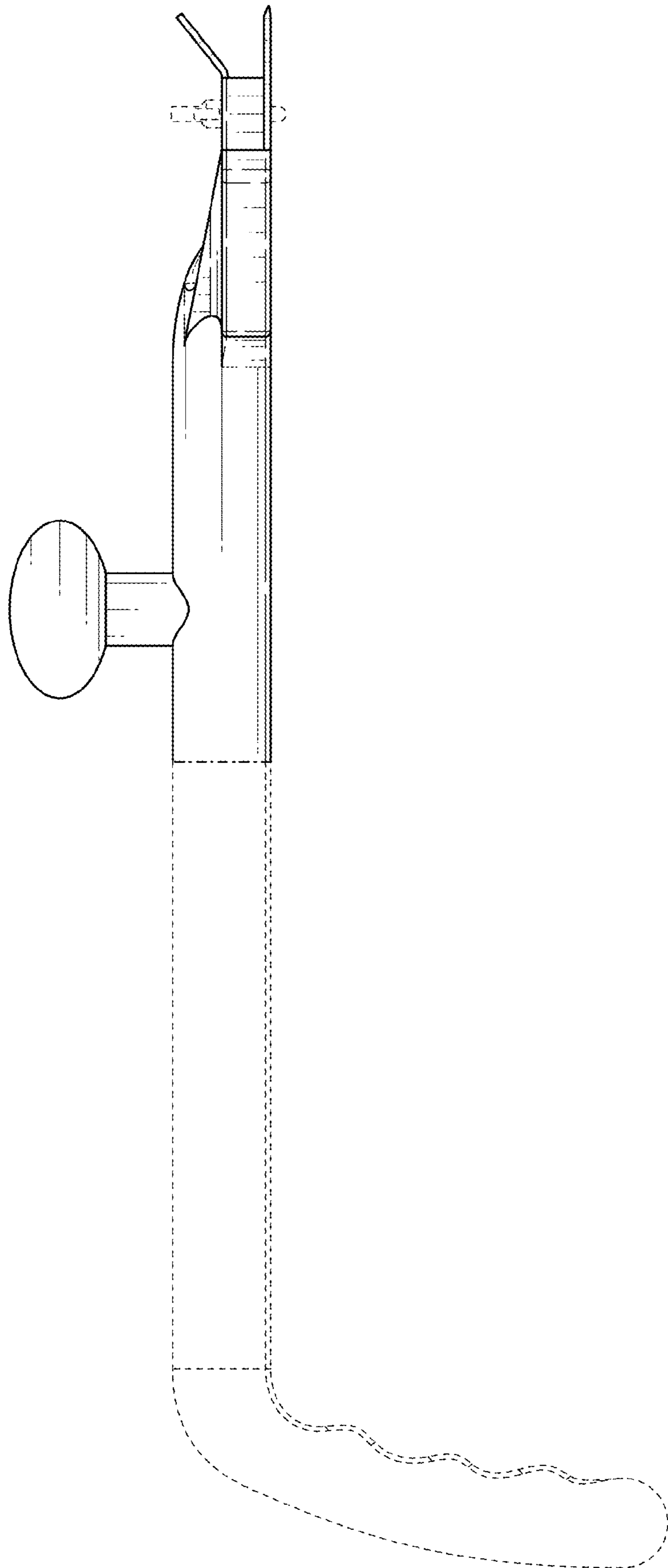


FIG. 4

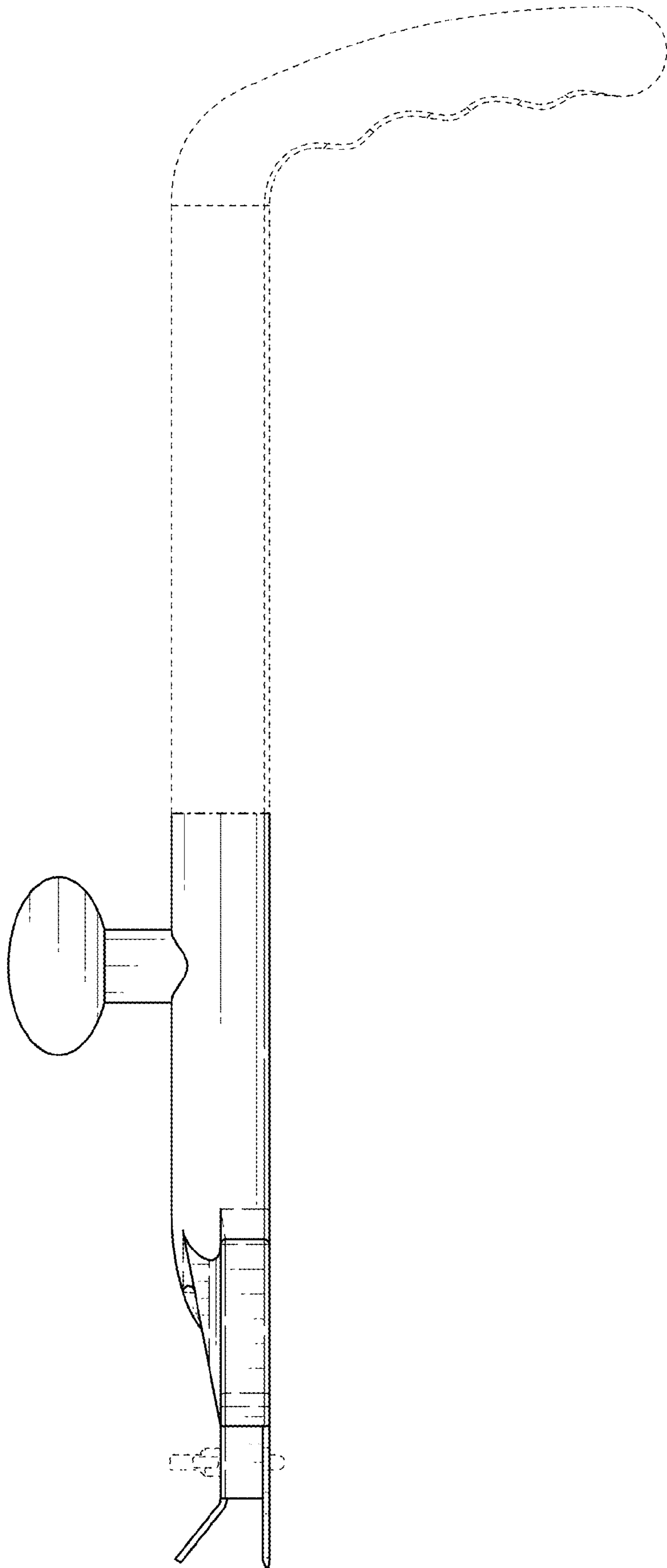


FIG. 5

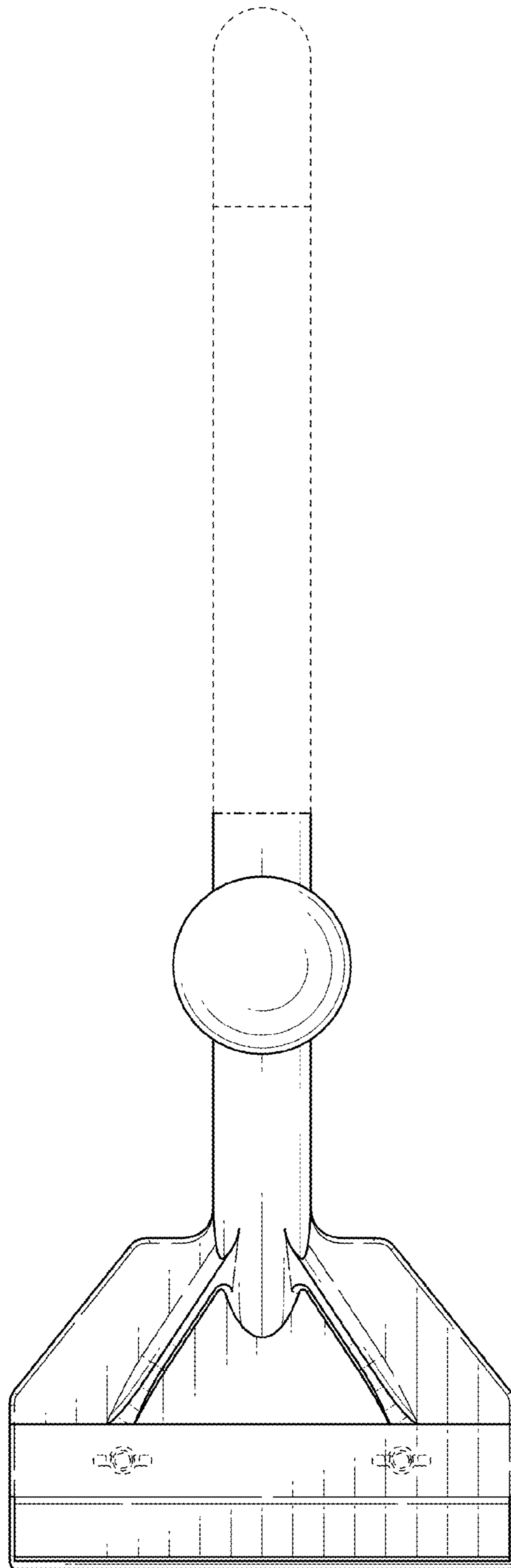


FIG. 6

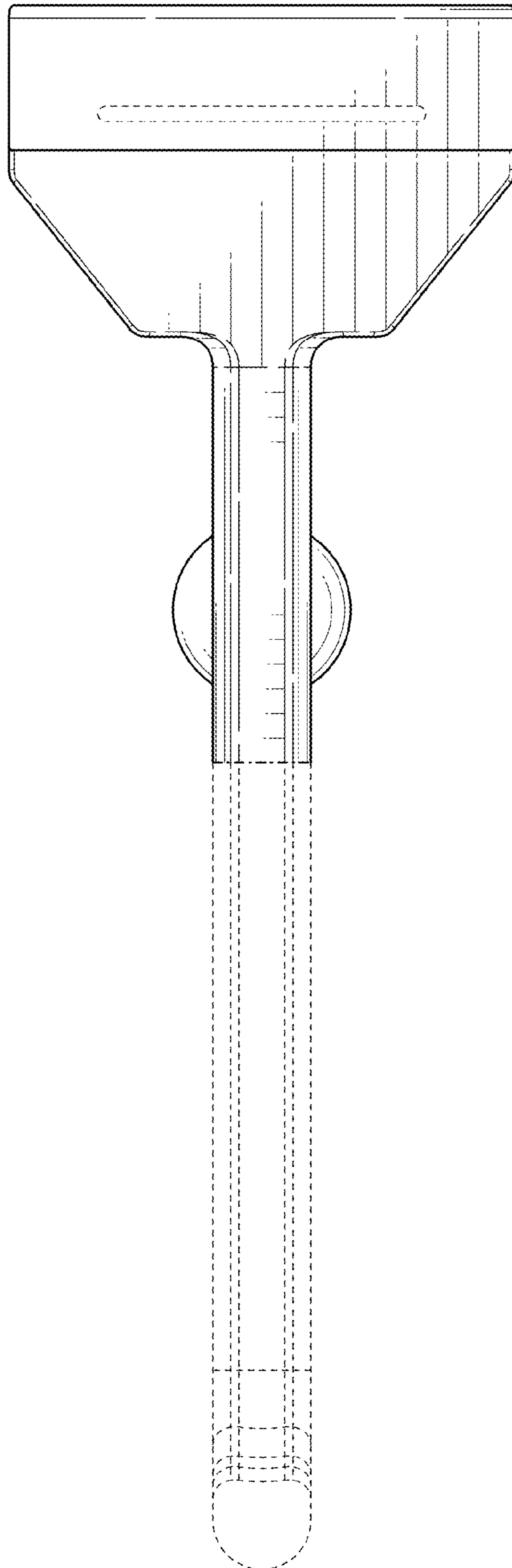


FIG. 7