



US00D910950S

(12) **United States Design Patent** (10) **Patent No.:** **US D910,950 S**
Su (45) **Date of Patent:** **** Feb. 16, 2021**

(54) **SCRAPER**
(71) Applicant: **Hong Ann Tool Industries Co., Ltd.,**
Taichung (TW)
(72) Inventor: **Cheng-Wei Su,** Taichung (TW)
(73) Assignee: **Hong Ann Tool Industries Co., Ltd.,**
Taichung (TW)

D389,624 S * 1/1998 Drimmie D3/210
D412,653 S * 8/1999 Dorer D8/86
D435,408 S * 12/2000 Panfili D8/105
6,382,974 B1 * 5/2002 Garfinkel A61C 3/00
433/141
D459,476 S * 6/2002 Mangione D24/152
D459,809 S * 7/2002 Mangione D24/152
6,588,479 B1 * 7/2003 Kliskey B60C 25/02
157/1.1
D516,394 S * 3/2006 Chen D8/16
(Continued)

(**) Term: **15 Years**

FOREIGN PATENT DOCUMENTS

(21) Appl. No.: **29/672,504**

CN 304911665 * 11/2018
JP D1257702 * 12/2005

(22) Filed: **Dec. 6, 2018**

(51) **LOC (13) Cl.** **07-05**

(52) **U.S. Cl.**

USPC **D32/46**

(58) **Field of Classification Search**

USPC D7/678, 648-651; D32/40, 43, 45-46,
D32/50-52, 14; D8/47, 82-86, 90, 7, 19;
D21/449; D14/230; D9/429, 434
CPC A47L 13/255; A47L 13/20; A63H 27/00;
B08B 9/045

See application file for complete search history.

OTHER PUBLICATIONS

Scraper Hook Nose, Timbecon website 2019, <https://www.timbecon.com.au/hook-nose-scraper-m2-hss>, site visited Dec. 23, 2019.*

Primary Examiner — John R Yeh

(74) Attorney, Agent, or Firm — Alan D. Kamrath; Karin L. Williams; Mayer & Williams PC

(56) **References Cited**

U.S. PATENT DOCUMENTS

D42,733 S * 7/1912 Eick D32/40
D42,735 S * 7/1912 Eick D32/40
2,635,337 A * 4/1953 Mercy B26B 3/08
30/353
3,918,158 A * 11/1975 Debski B26B 3/08
30/314
D261,932 S * 11/1981 Bussiere 433/119
D269,194 S * 5/1983 Butler D21/386
4,731,019 A * 3/1988 Martin A61C 1/07
433/119
D305,494 S * 1/1990 Jaspersen D8/1
D320,492 S * 10/1991 Diebert D32/46
5,437,074 A * 8/1995 White A47L 13/02
15/105

(57) **CLAIM**

The ornamental design for a scraper, as shown and described.

DESCRIPTION

FIG. 1 is a perspective view of a scraper showing my new design;

FIG. 2 is a front view thereof;

FIG. 3 is a rear view thereof;

FIG. 4 is a left view thereof;

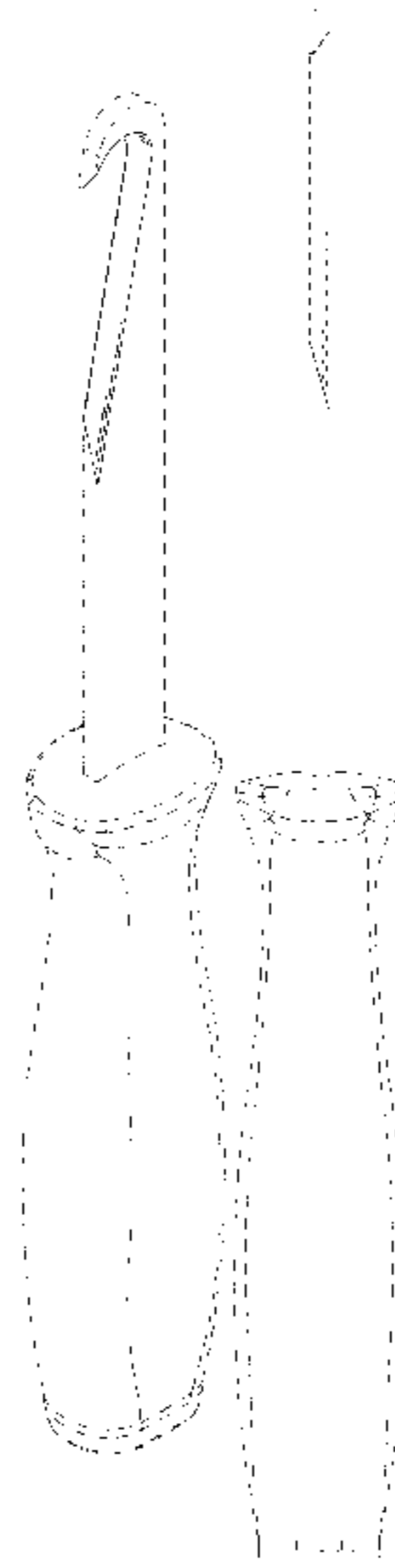
FIG. 5 is a right view thereof;

FIG. 6 is a top view thereof; and,

FIG. 7 is a bottom view thereof.

The broken lines depict portions of the scraper that form no part of the claimed design.

1 Claim, 7 Drawing Sheets



(56)

References Cited

U.S. PATENT DOCUMENTS

D558,346	S	*	12/2007	Darnold	D24/152
D562,517	S	*	2/2008	Henke	D32/46
D573,309	S	*	7/2008	Wittke-Kothe	D24/149
D624,720	S	*	9/2010	Motsenbocker	D32/46
D627,886	S	*	11/2010	Williamson	D24/152
D670,057	S	*	10/2012	DiMauro	D32/46
D687,202	S	*	7/2013	Motsenbocker	D32/46
D691,773	S	*	10/2013	Chen	D32/46
D700,331	S	*	2/2014	Lim	D24/147
D733,300	S	*	6/2015	Bennett	D24/147
D749,921	S	*	2/2016	Sanchez	D8/7
D798,518	S	*	9/2017	Holschbach	D32/46
D811,034	S	*	2/2018	Kent	D32/54
D848,806	S	*	5/2019	Lauterbach	D8/47
D853,805	S	*	7/2019	Sukruangsap	D8/7
D865,307	S	*	10/2019	Noel	D32/46
10,493,613	B2	*	12/2019	Levand	B26B 11/001
D885,152	S	*	5/2020	Chavez	D8/19

* cited by examiner

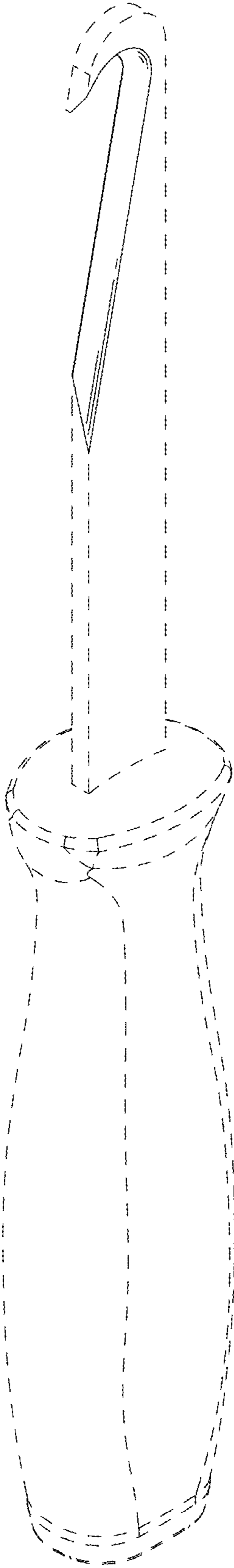


FIG. 1

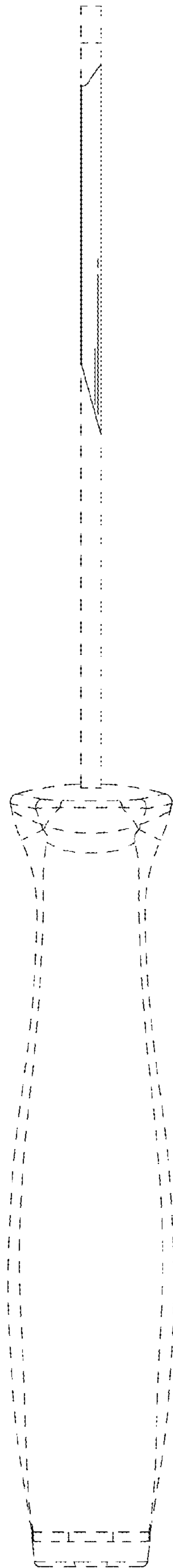


FIG. 2

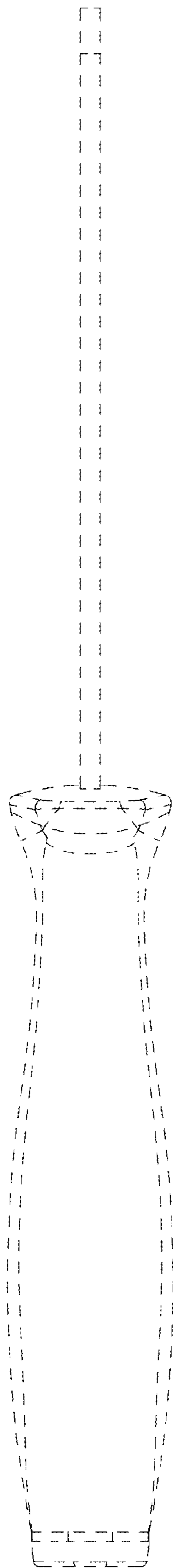


FIG. 3

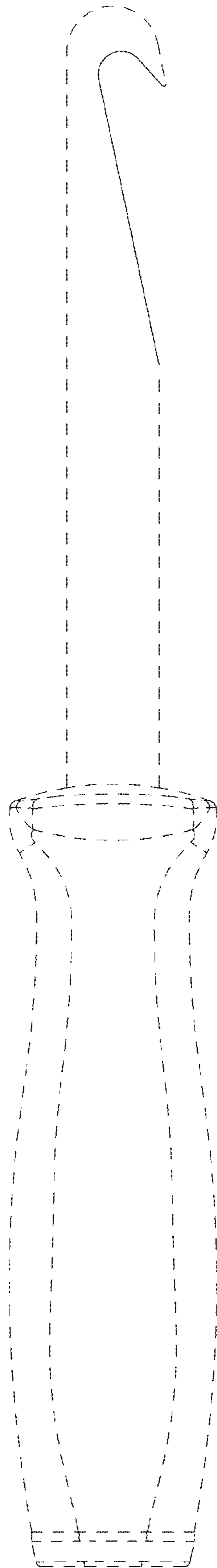


FIG. 4

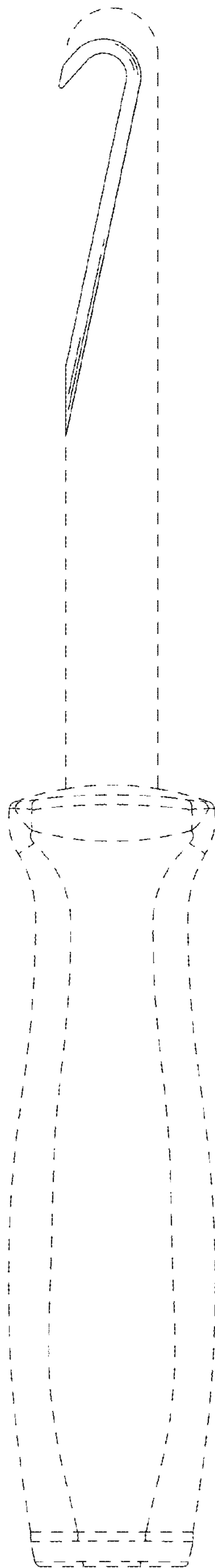


FIG. 5

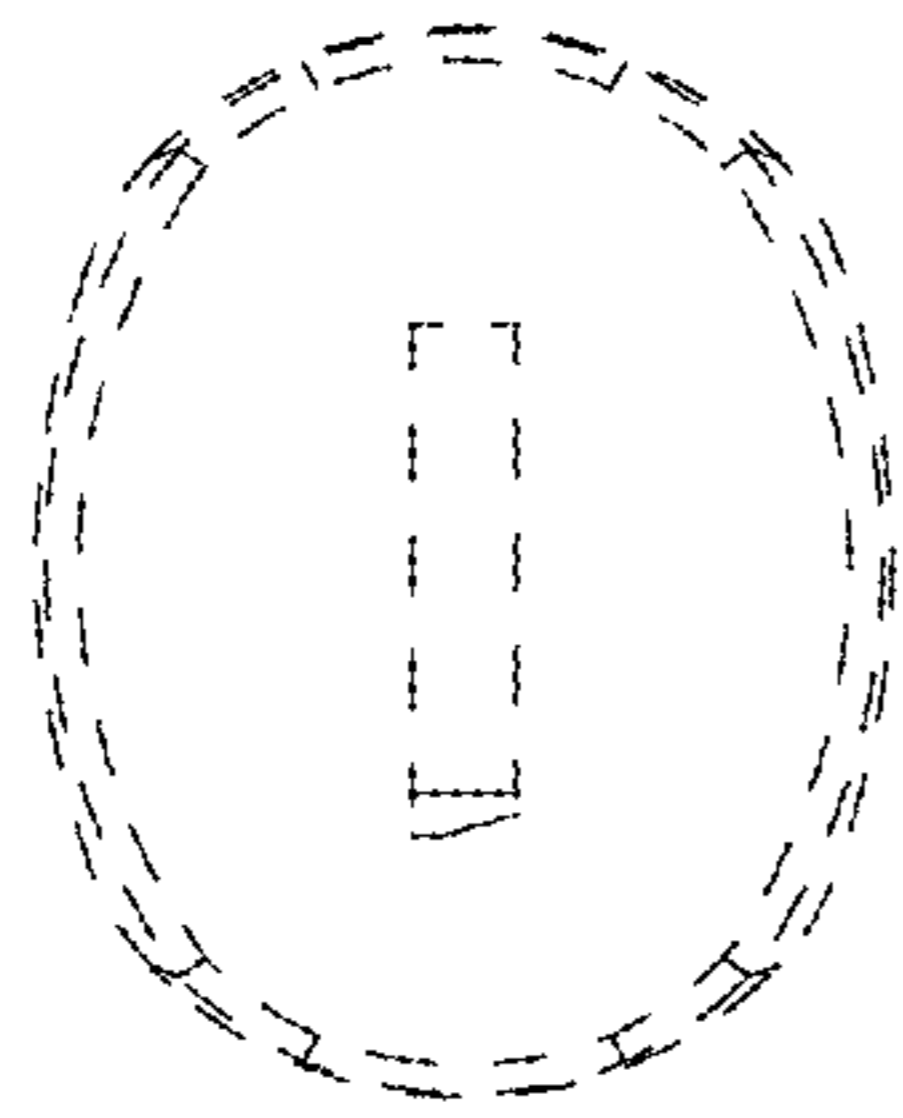


FIG. 6

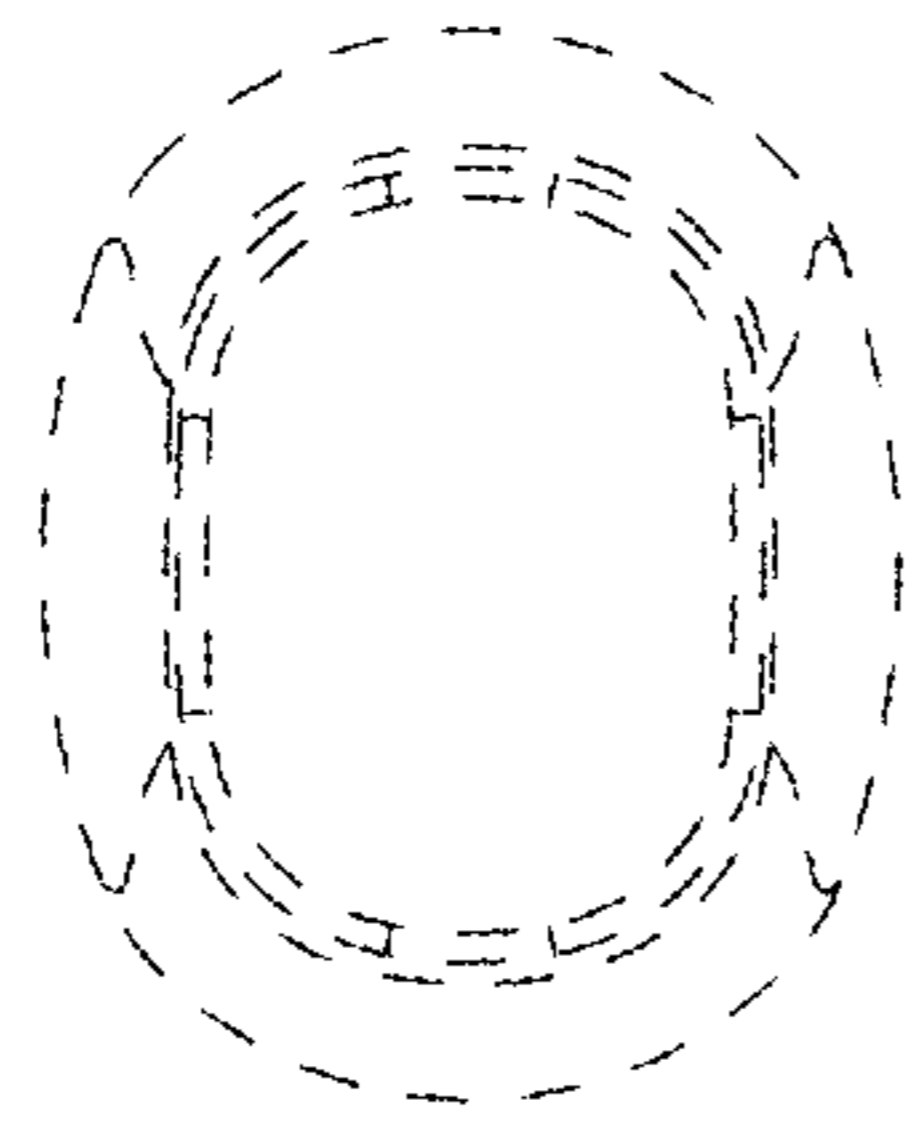


FIG. 7