



US00D910949S

(12) **United States Design Patent**
Haverkamp et al.

(10) **Patent No.:** **US D910,949 S**

(45) **Date of Patent:** **** Feb. 16, 2021**

(54) **CLEANING FOOT OF A MULTI-SURFACE VACUUM CLEANER**

(71) Applicant: **BISSELL Inc.**, Grand Rapids, MI (US)

(72) Inventors: **Matthew Haverkamp**, Kentwood, MI (US); **David M. Miller**, Zeeland, MI (US)

(73) Assignee: **BISSELL Inc.**, Grand Rapids, MI (US)

(**) Term: **15 Years**

(21) Appl. No.: **29/691,473**

(22) Filed: **May 16, 2019**

(51) **LOC (13) Cl.** **15-05**

(52) **U.S. Cl.**
USPC **D32/32**

(58) **Field of Classification Search**
USPC D32/31, 32, 33, 34
CPC A47L 9/02; A47L 9/06; A47L 5/28; A47L 5/24; A47L 11/4044; E04H 4/1654; E04H 4/34

See application file for complete search history.

(56) **References Cited**

U.S. PATENT DOCUMENTS

D431,333	S	*	9/2000	Stephens	D32/32
D506,047	S	*	6/2005	Alford	D32/32
D522,198	S	*	5/2006	Coombs	D32/33
D544,663	S	*	6/2007	Medema	D32/32
D622,461	S	*	8/2010	Hill	D32/32
D685,150	S	*	6/2013	Raven	D32/32
D687,197	S	*	7/2013	Santiago	D32/32
D687,198	S	*	7/2013	Santiago	D32/32
D688,014	S	*	8/2013	Santiago	D32/32
D704,401	S	*	5/2014	Kim	D32/32
D707,903	S	*	6/2014	Raven	D32/32
D720,104	S	*	12/2014	Santiago	D32/32
D738,055	S	*	9/2015	Luedke	D32/32

D751,779	S	*	3/2016	Smith	D32/32
D757,378	S	*	5/2016	Johnson	D32/32
D770,109	S	*	10/2016	Chu, Jr.	D32/32
D773,138	S	*	11/2016	Miller	D32/32
D774,264	S	*	12/2016	Bartram	D32/33
D779,751	S	*	2/2017	Chu	D32/32
D779,752	S	*	2/2017	Johnson	D32/32
D780,393	S	*	2/2017	Carr	D32/32
D781,514	S	*	3/2017	Perin	D32/32
D818,230	S	*	5/2018	Miller	D32/32
D820,541	S	*	6/2018	Haverkamp	D32/32
D827,237	S	*	8/2018	Wrobleski	D32/32
D850,040	S	*	5/2019	Wrobleski	D32/32

OTHER PUBLICATIONS

<https://www.bissell.com/cleanview-deluxe-rewind-upright-vacuum-1322.html> (Year: 2020).*

* cited by examiner

Primary Examiner — Michelle E. Wilson

Assistant Examiner — Richard E Yenchesky

(74) *Attorney, Agent, or Firm* — Warner Norcross + Judd LLP

(57) **CLAIM**

The ornamental design for a cleaning foot of a multi-surface vacuum cleaner, as shown and described.

DESCRIPTION

FIG. 1 is a front perspective view of first embodiment of a cleaning foot of a multi-surface vacuum cleaner showing our new design;

FIG. 2 is a front view thereof;

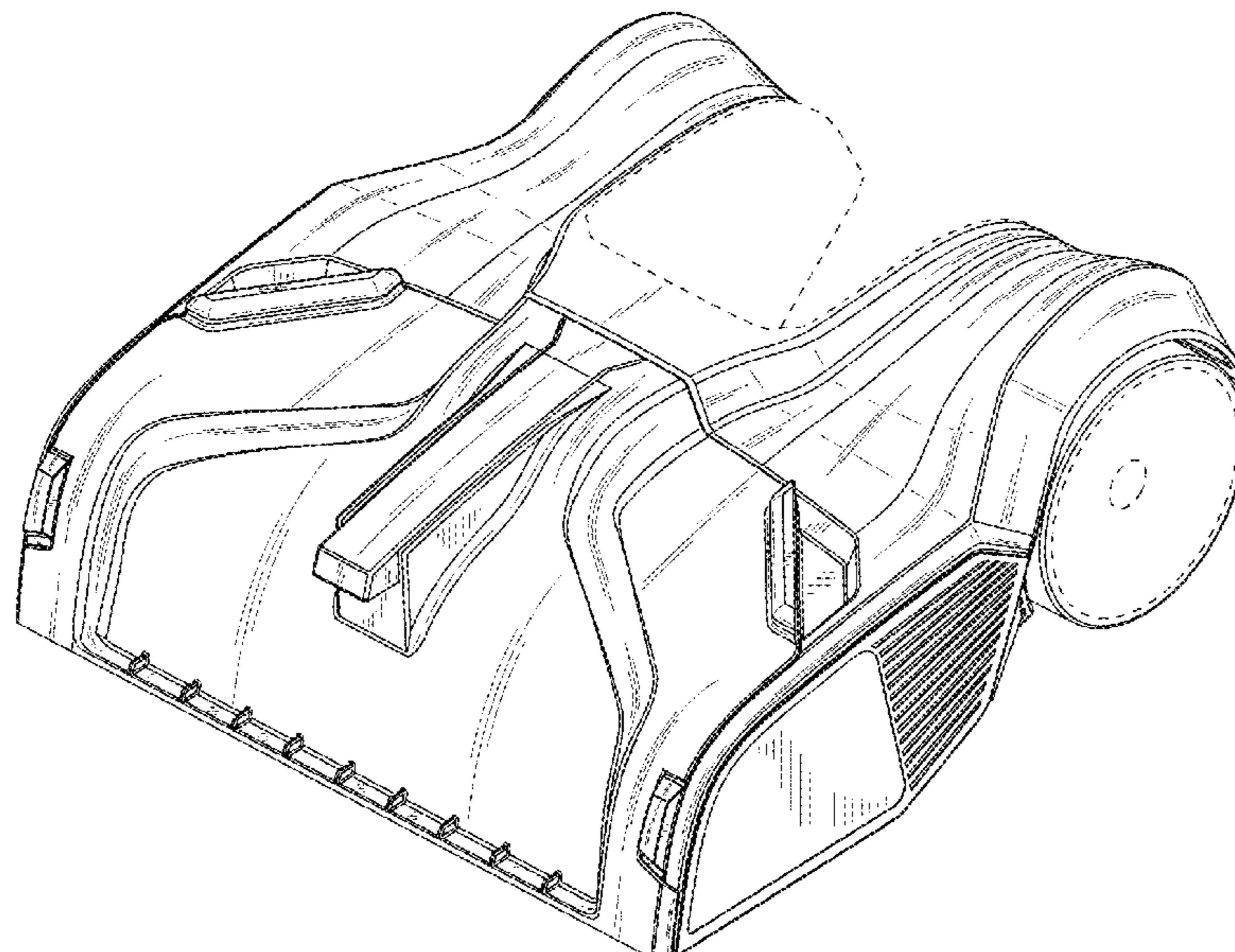
FIG. 3 is a left side view thereof;

FIG. 4 is a right side view thereof; and,

FIG. 5 is a top view thereof.

The details shown in broken lines form no part of the claimed design.

1 Claim, 5 Drawing Sheets



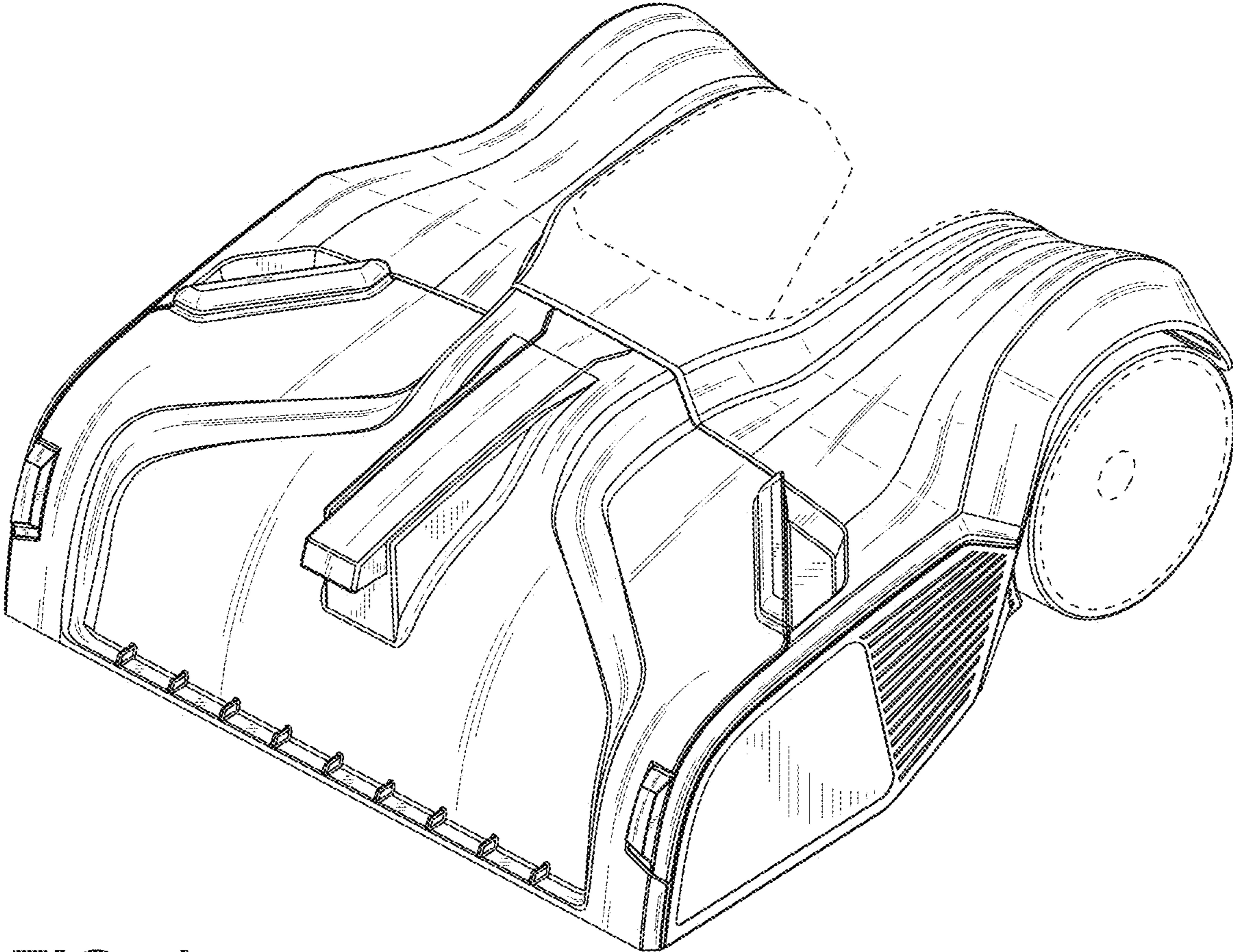


FIG. 1

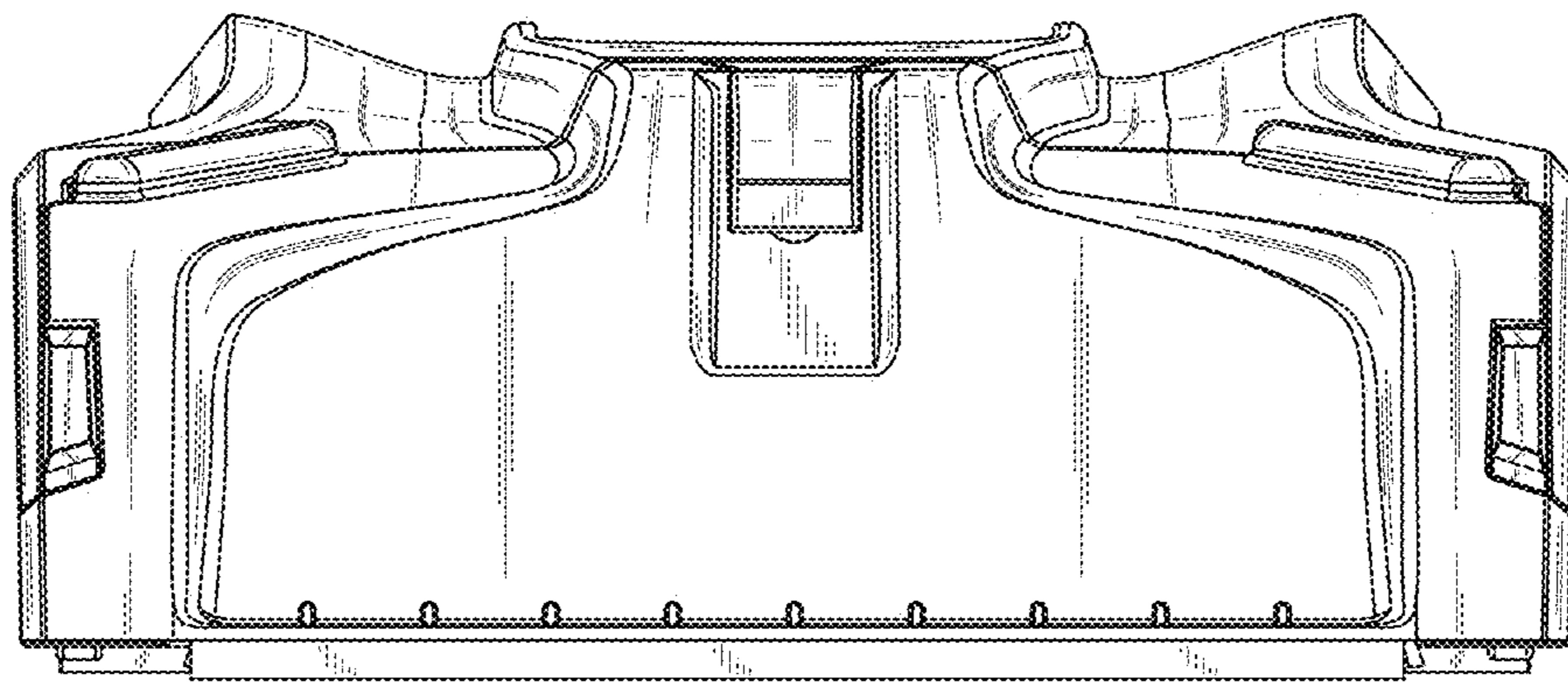


FIG. 2

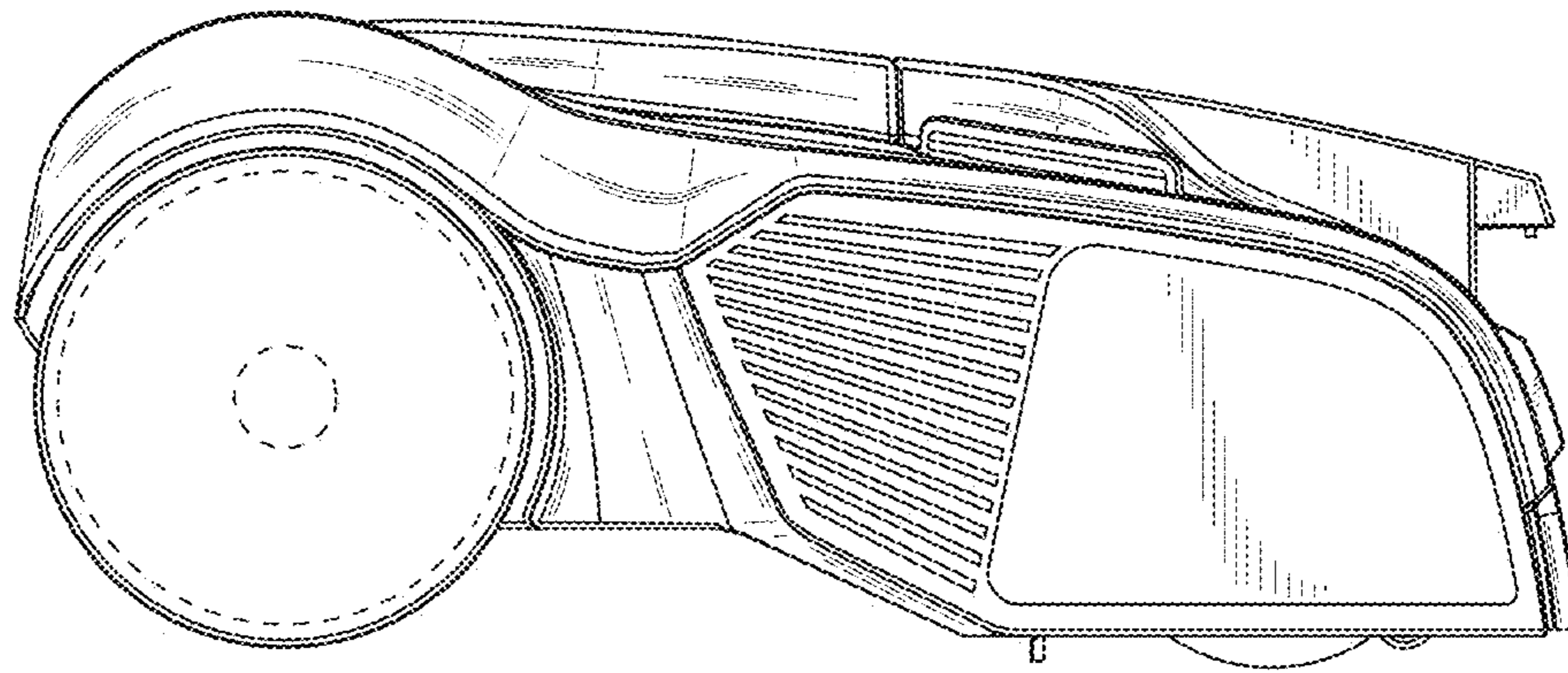


FIG. 3

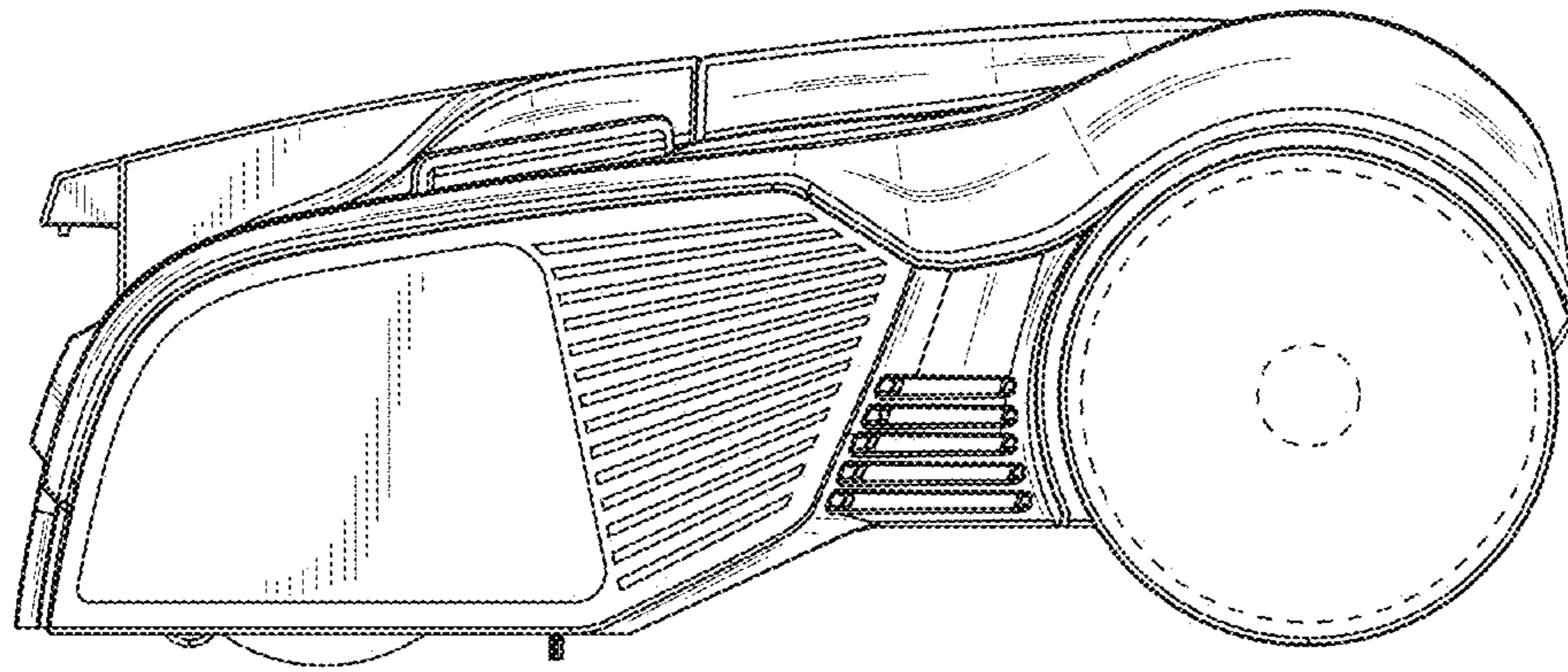


FIG. 4

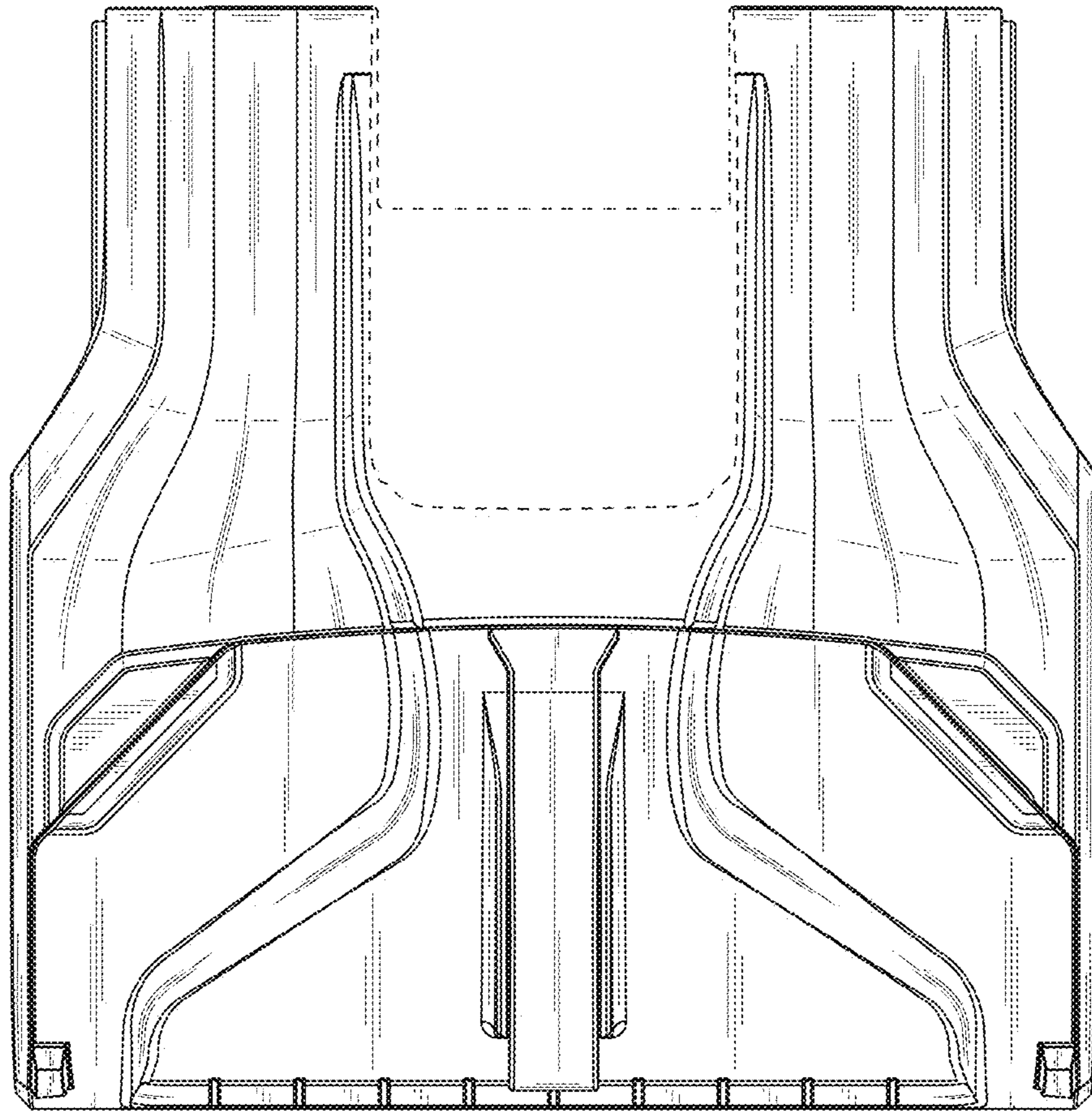


FIG. 5