



US00D910947S

(12) **United States Design Patent** (10) **Patent No.:** **US D910,947 S**
Zhu (45) **Date of Patent:** **** Feb. 16, 2021**

(54) **MINI SWITCH FOR VACUUM CLEANER**

(71) Applicant: **Falun Zhu**, Guangzhou (CN)

(72) Inventor: **Falun Zhu**, Guangzhou (CN)

(**) Term: **15 Years**

(21) Appl. No.: **29/747,446**

(22) Filed: **Aug. 22, 2020**

(51) **LOC (13) Cl.** **15-05**

(52) **U.S. Cl.**
USPC **D32/31**

(58) **Field of Classification Search**
USPC D32/31, 25, 17-21; D13/107, 108
CPC A47L 9/00; A47L 9/0018; A47L 9/0027;
A47L 9/0036; A47L 9/0045
See application file for complete search history.

(56) **References Cited**

U.S. PATENT DOCUMENTS

D295,334 S *	4/1988	Fonville	D32/31
D295,910 S *	5/1988	Hill	D32/31
5,071,012 A *	12/1991	Jailor	A47L 9/0027 211/13.1
D354,380 S *	1/1995	Stephens	D32/31
5,954,863 A *	9/1999	Loveless	A47L 5/365 15/353
D422,764 S *	4/2000	Wood	D32/31
D443,014 S	5/2001	Vicale	
D447,609 S *	9/2001	Hult	D32/31
D463,079 S *	9/2002	Leyden	D32/31
D469,228 S *	1/2003	Wareham	D32/31
D485,595 S	1/2004	Schaub	
D537,143 S	2/2007	Farchione et al.	
D567,560 S *	4/2008	Byers	D6/553
D623,367 S *	9/2010	Gottschall	D32/31
D660,303 S *	5/2012	Vroom	D14/434

D660,304 S *	5/2012	Vroom	D14/434
D669,476 S *	10/2012	Vroom	D14/434
D707,881 S *	6/2014	Zhou	D26/138
D733,049 S *	6/2015	Sekula	D13/108
D776,054 S *	1/2017	Cmich	D13/108
D784,643 S *	4/2017	Webster	D32/31
D809,232 S *	1/2018	Wu	D32/31
D835,744 S	12/2018	Lazar et al.	
D837,144 S *	1/2019	Nam	D13/107
D863,703 S *	10/2019	Wang	D32/31
D867,794 S *	11/2019	Nakamura	D6/675
D884,620 S *	5/2020	Burchard	D13/108
D885,000 S *	5/2020	Metz	D32/31
2003/0024067 A1 *	2/2003	Roney	A47L 9/0036 15/323
2004/0188570 A1 *	9/2004	Bauer	F16L 3/223 248/68.1

* cited by examiner

Primary Examiner — Michelle E. Wilson

(74) *Attorney, Agent, or Firm* — Rumit Ranjit Kanakia

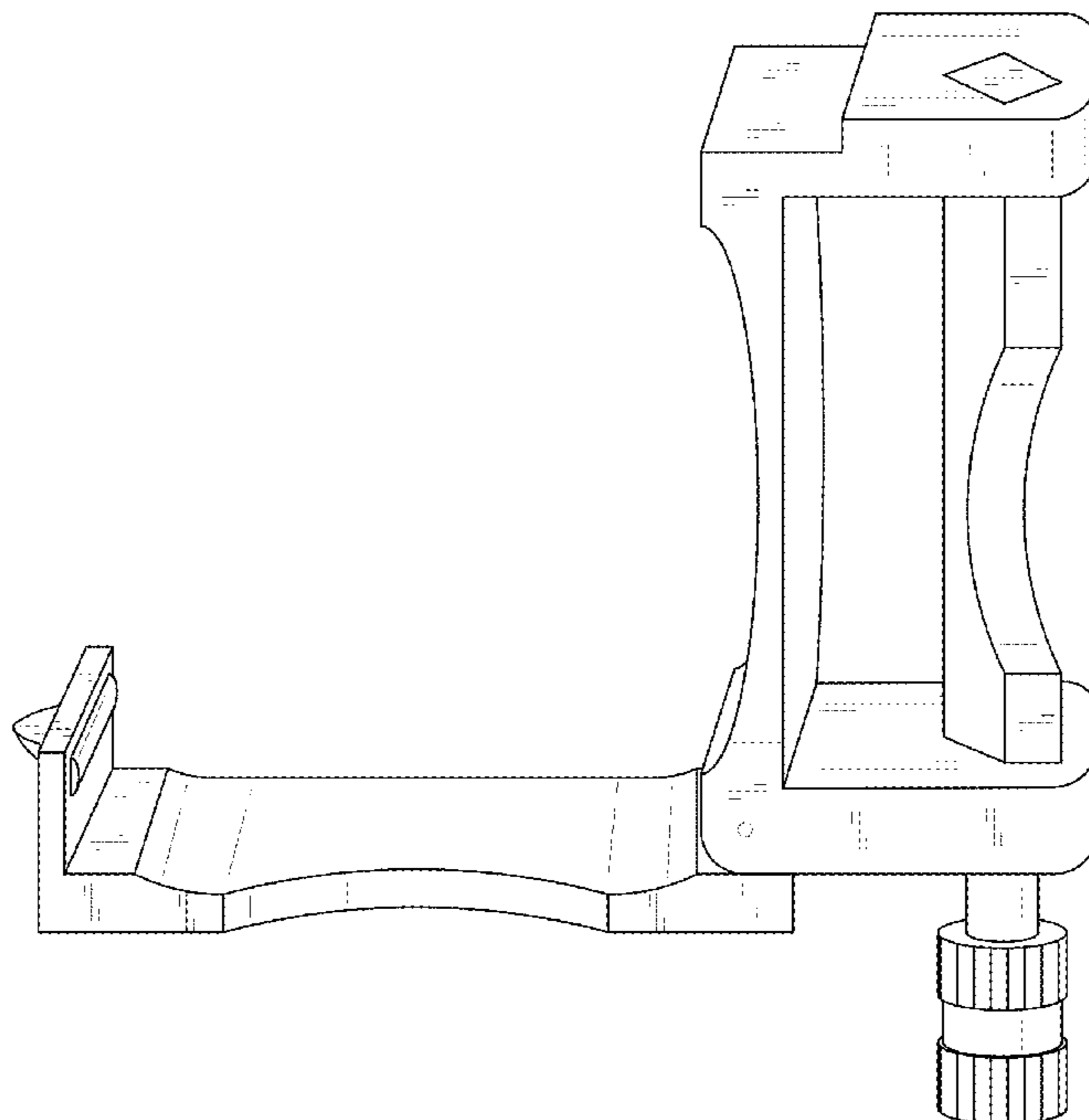
(57) **CLAIM**

I claim the ornamental design for a mini switch for vacuum cleaner, as shown and described.

DESCRIPTION

FIG. 1 is a Perspective view of a mini switch for vacuum cleaner showing my new design;
FIG. 2 is a Front view thereof;
FIG. 3 is a Back view thereof;
FIG. 4 is a Right-side view thereof;
FIG. 5 is a Left-side view thereof;
FIG. 6 is a Top view thereof; and,
FIG. 7 is a Bottom view thereof.
The broken lines are for the purpose of illustrating portions of the article that form no part of the claim.

1 Claim, 6 Drawing Sheets



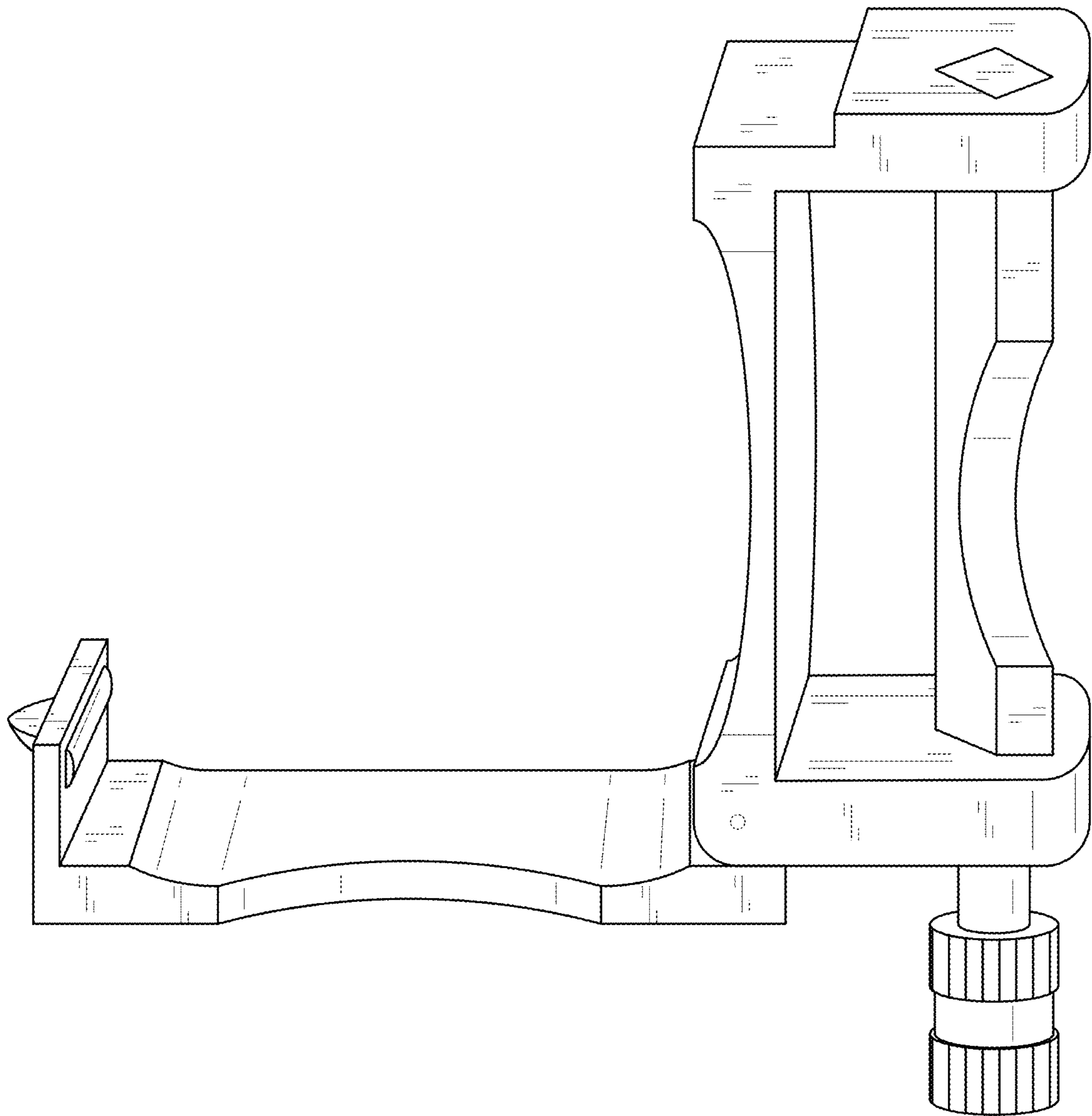


FIG. 1

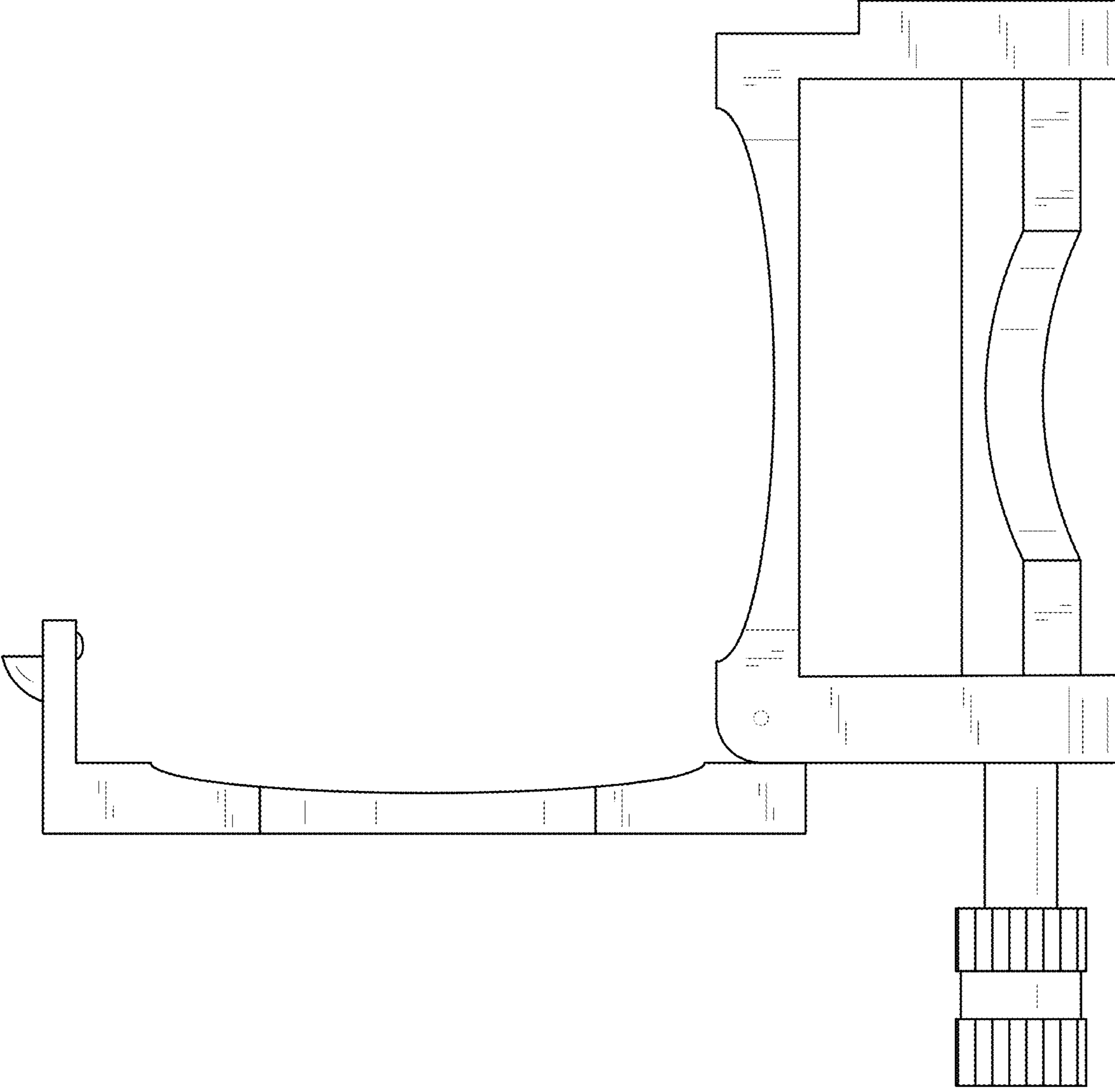


FIG. 2

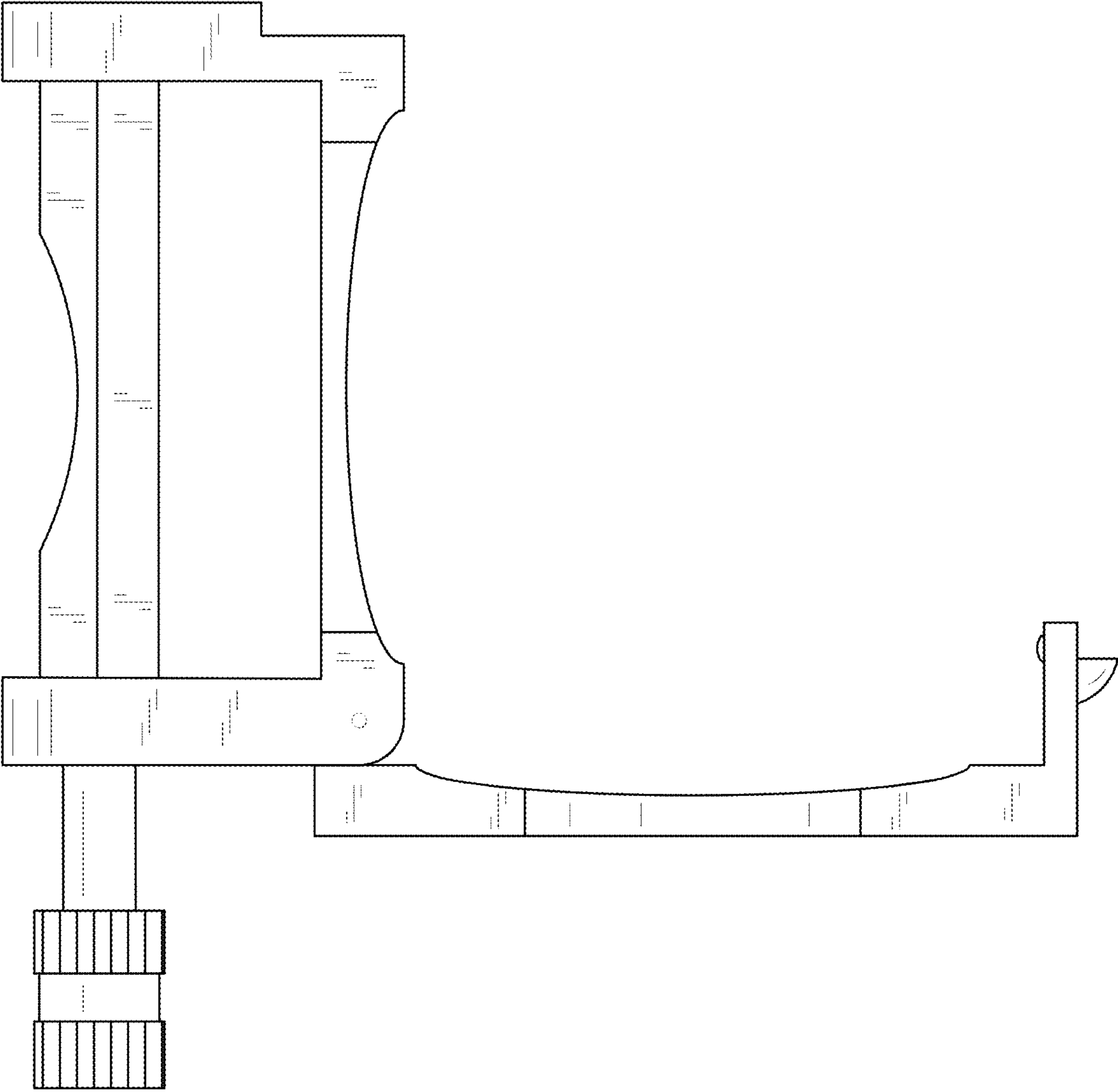


FIG. 3

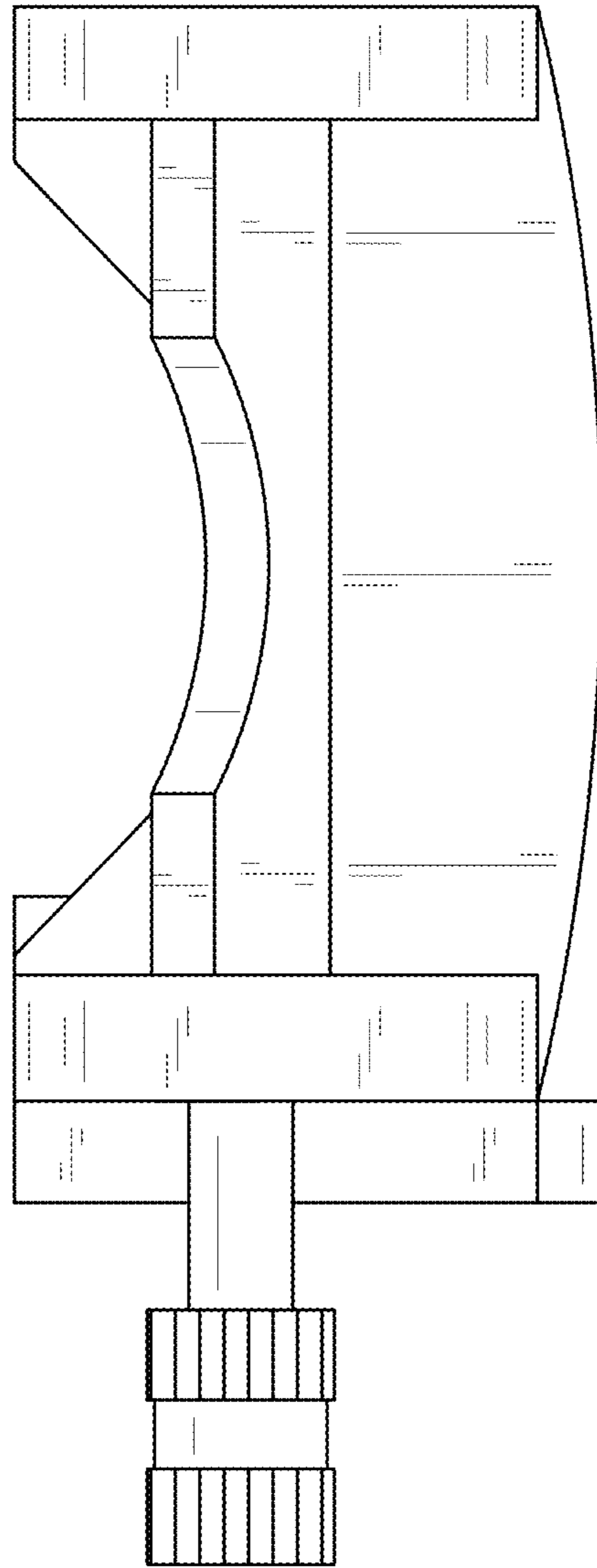


FIG. 4

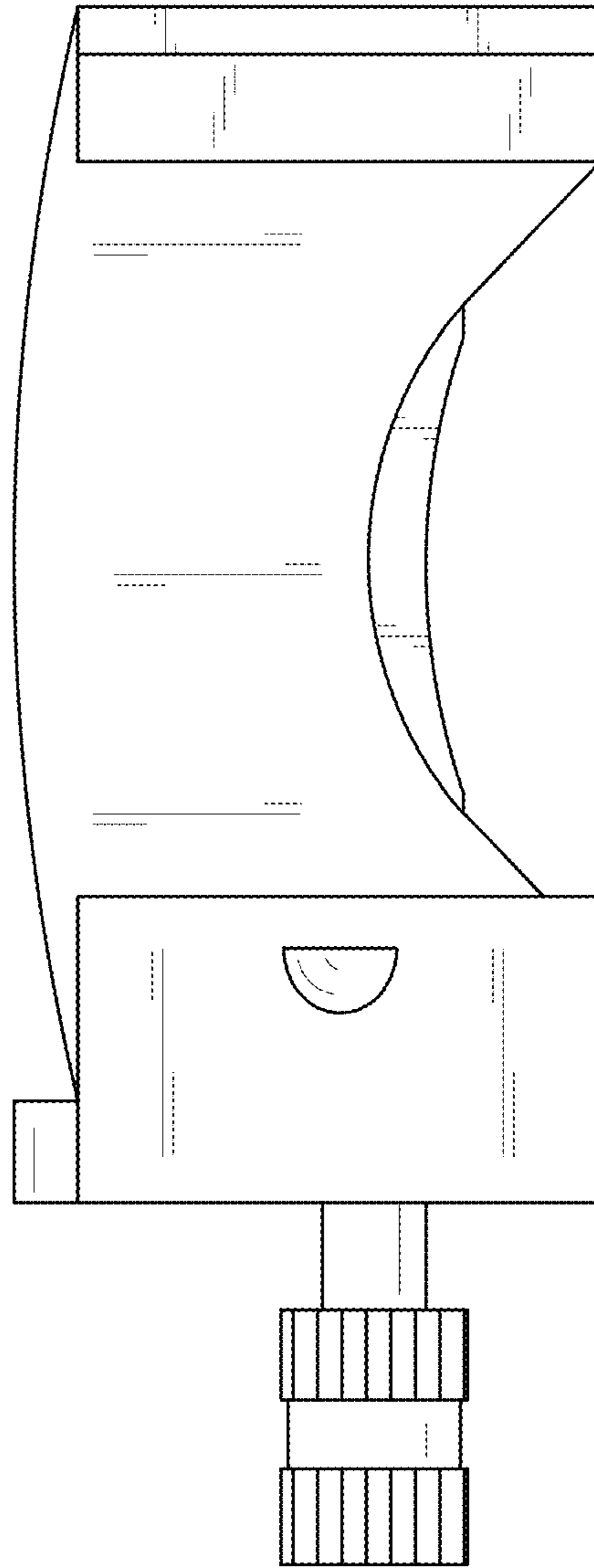


FIG. 5

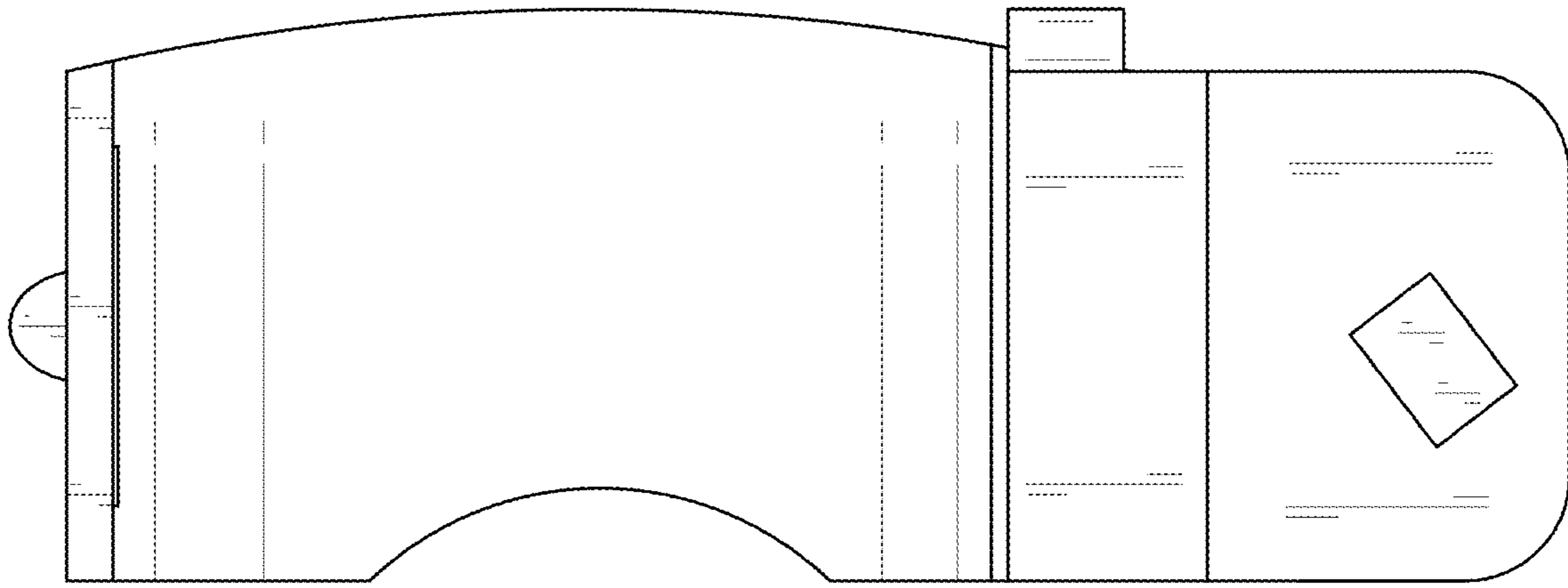


FIG. 6

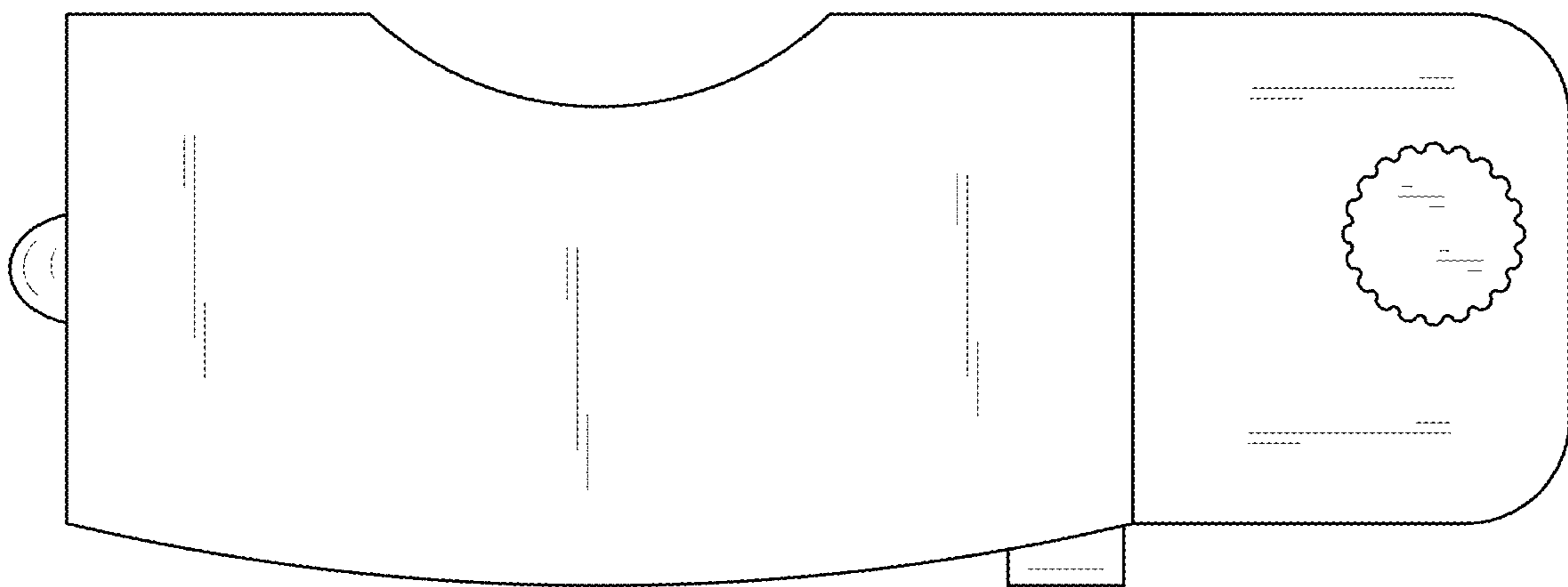


FIG. 7