



US00D910945S

(12) **United States Design Patent**  
**Miller et al.**

(10) **Patent No.:** **US D910,945 S**

(45) **Date of Patent:** **\*\* Feb. 16, 2021**

(54) **UPRIGHT MULTI-SURFACE VACUUM  
CLEANER**

11/005; D01H 5/645; F26B 11/12; A46B  
9/06

See application file for complete search history.

(71) Applicant: **BISSELL Inc.**, Grand Rapids, MI (US)

(56)

**References Cited**

(72) Inventors: **David M. Miller**, Zeeland, MI (US);  
**Jing Yang**, Zhongshan (CN); **Suka  
Chen**, Xingning (CN)

U.S. PATENT DOCUMENTS

D728,878 S \* 5/2015 Johnson ..... D32/31  
D730,604 S \* 5/2015 Luedke ..... D32/31  
D759,919 S \* 6/2016 Smith ..... D32/31  
D778,015 S \* 1/2017 Miller ..... D32/31

(Continued)

(73) Assignee: **BISSELL Inc.**, Grand Rapids, MI (US)

(\*\*) Term: **15 Years**

FOREIGN PATENT DOCUMENTS

(21) Appl. No.: **29/680,296**

CN 305275764 \* 7/2019  
EM 006295648-0001 \* 3/2019

(22) Filed: **Feb. 14, 2019**

OTHER PUBLICATIONS

(51) **LOC (13) Cl.** ..... **15-05**

(52) **U.S. Cl.**  
USPC ..... **D32/31; D32/21**

Bissell Crosswave Cordless, announced in YouTube on Jun. 5, 2019 [online], [site visited Nov. 2, 2020], Available from the internet URL: <https://www.youtube.com/watch?v=CX0n7Fc4Ngk> (Year: 2019).\*

(Continued)

(58) **Field of Classification Search**

USPC ..... D32/15, 17, 18, 21, 23, 24, 31; D21/526  
CPC ... A47L 5/24; A47L 5/225; A47L 5/28; A47L  
5/30; A47L 5/34; A47L 5/362; A47L  
5/365; A47L 9/0411; A47L 9/1409; A47L  
9/1481; A47L 9/16; A47L 9/1608; A47L  
9/1675; A47L 9/1683; A47L 9/1691;  
A47L 9/2852; A47L 9/32; A47L 9/322;  
A47L 9/325; A47L 11/20; A47L 11/24;  
A47L 11/26; A47L 11/28; A47L 11/30;  
A47L 11/302; A47L 11/34; A47L  
11/4008; A47L 11/4011; A47L 11/4016;  
A47L 11/4036; A47L 11/4044; A47L  
11/4052; A47L 11/4083; A47L 11/4088;  
A47L 13/225; A47L 2201/00; A47L  
2201/022; A14L 7/0004; A14L 7/0095;  
B23Q 11/0046; B23Q 11/0071; B25D  
16/00; B04C 1/00; B04C 5/185; D01H

*Primary Examiner* — Dana K Weiland  
*Assistant Examiner* — Jennylou M Binas  
(74) *Attorney, Agent, or Firm* — Warner Norcross + Judd  
LLP

(57)

**CLAIM**

The ornamental design for an upright multi-surface vacuum cleaner, as shown and described.

**DESCRIPTION**

FIG. 1 is a front perspective view of an upright multi-surface vacuum cleaner showing our new design; FIG. 2 is a rear perspective view thereof; FIG. 3 is a front view thereof; FIG. 4 is a rear view thereof; FIG. 5 is a left side view thereof; FIG. 6 is a right side view thereof; and,

(Continued)

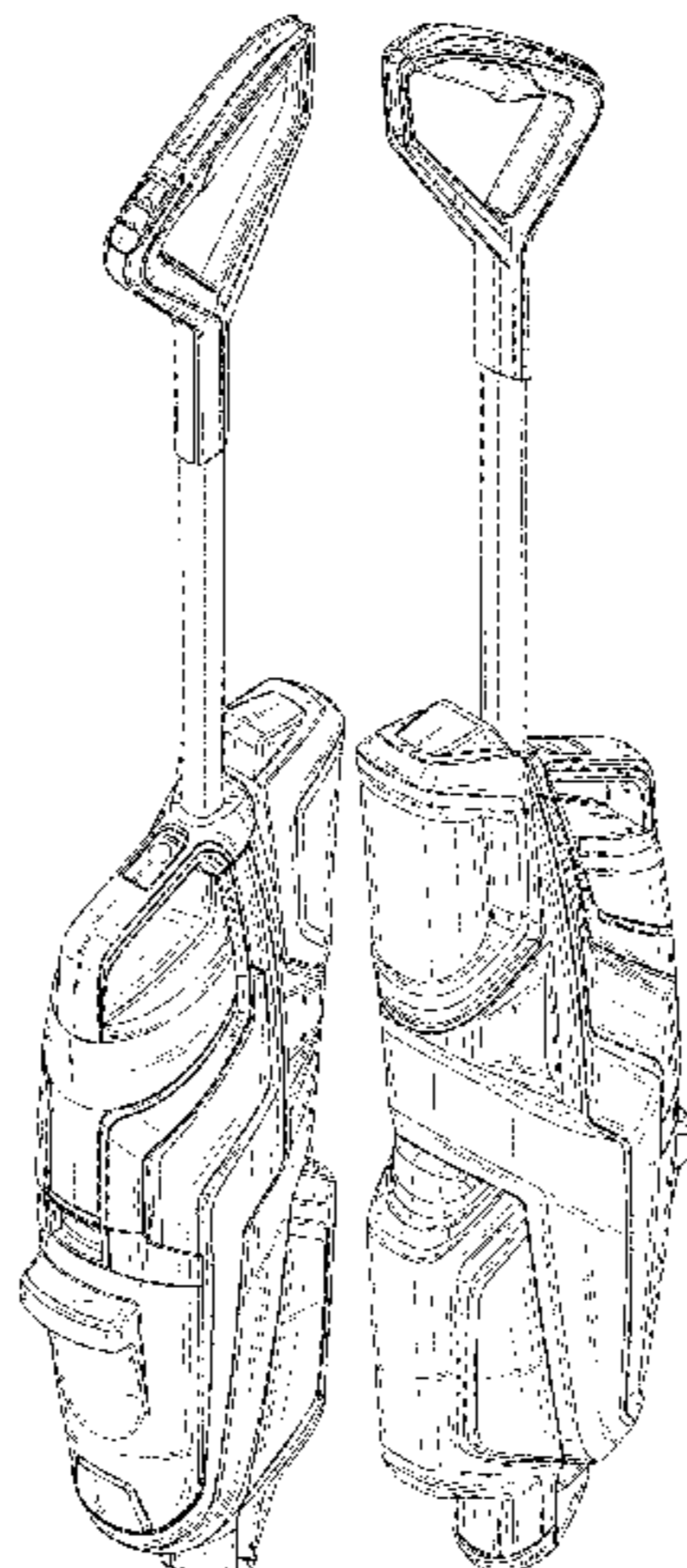


FIG. 7 is an enlarged top view of the upright multi-surface vacuum cleaner.

The details of the upright multi-surface vacuum cleaner shown in broken lines form no part of the claimed design.

**1 Claim, 7 Drawing Sheets**

(56)

**References Cited**

U.S. PATENT DOCUMENTS

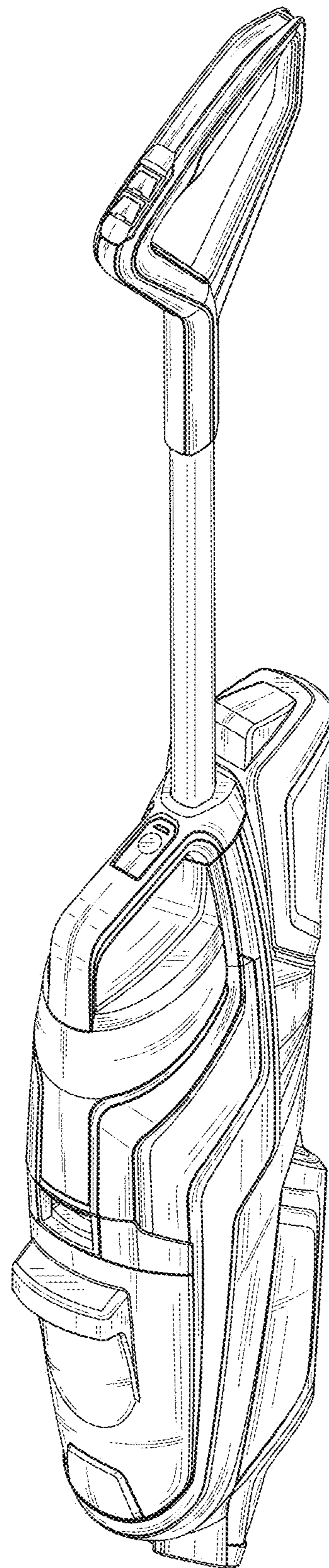
D790,142 S *	6/2017	Carr	.....	D32/31
D791,421 S *	7/2017	Wu	.....	D32/31
D821,047 S *	6/2018	Wroblewski	.....	D32/31
10,092,155 B2 *	10/2018	Xia	.....	A47L 11/4008
10,512,383 B2 *	12/2019	Luyckx	.....	A47L 11/4027
10,631,702 B2 *	4/2020	Xia	.....	A47L 11/4041

2014/0259510 A1 *	9/2014	Conrad	.....	A47L 13/225 15/319
2016/0135656 A1 *	5/2016	Grove	.....	A47L 11/4088 15/322
2016/0150938 A1 *	6/2016	Grove	.....	A47L 13/225 15/4
2017/0119225 A1 *	5/2017	Xia	.....	A47L 11/4083
2018/0110388 A1 *	4/2018	Xia	.....	A46B 13/001
2019/0082925 A1 *	3/2019	Conrad	.....	A47L 5/36
2019/0159646 A1 *	5/2019	Luyckx	.....	A47L 11/201
2019/0365182 A1 *	12/2019	Manning	.....	A47L 11/4036
2020/0214527 A1 *	7/2020	Resch	.....	A47L 11/4027
2020/0268225 A1 *	8/2020	Ashbaugh	.....	A47L 11/408

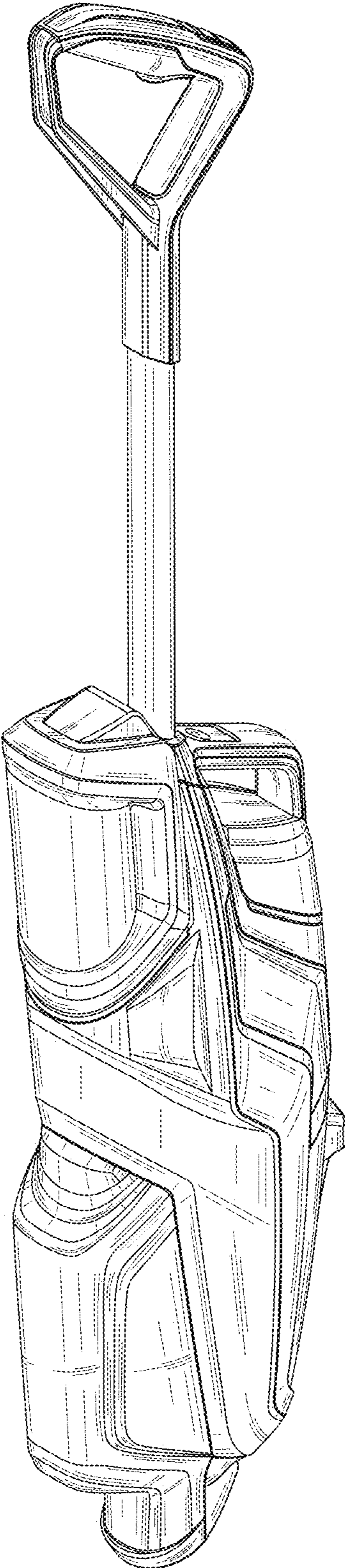
OTHER PUBLICATIONS

Bissell Crosswave PetPro, announced in YouTube on Apr. 30, 2018 [online], [site visited Nov. 2, 2020], Available from the internet URL: <https://www.youtube.com/watch?v=8gt4VDPPrsA> (Year: 2018).\*

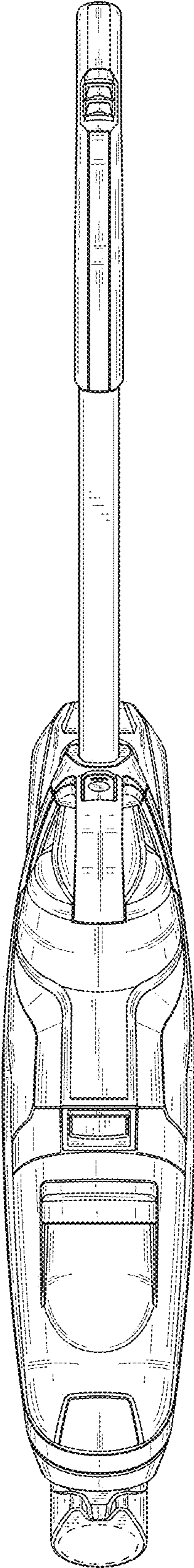
\* cited by examiner



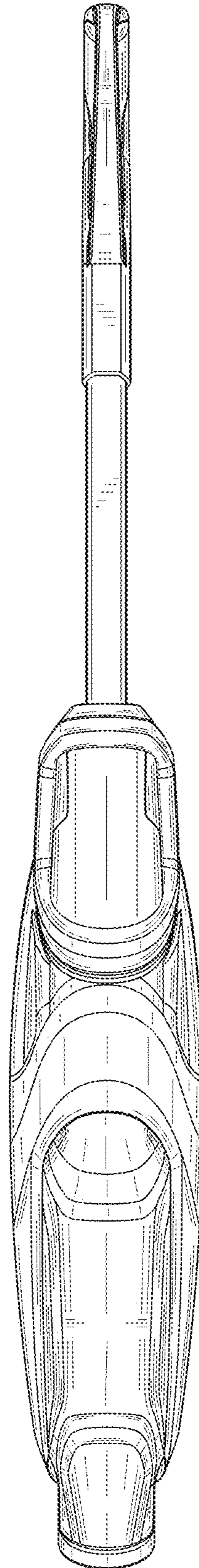
**FIG. 1**



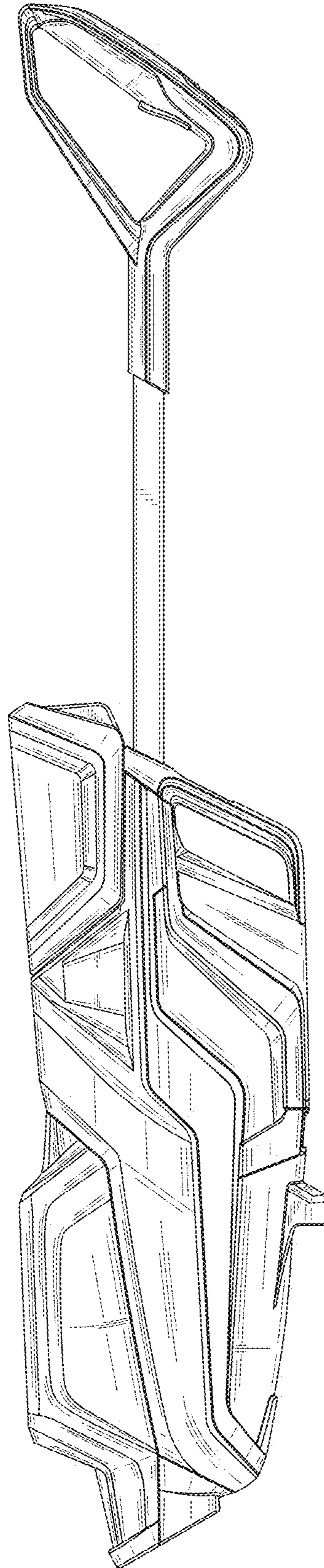
**FIG. 2**



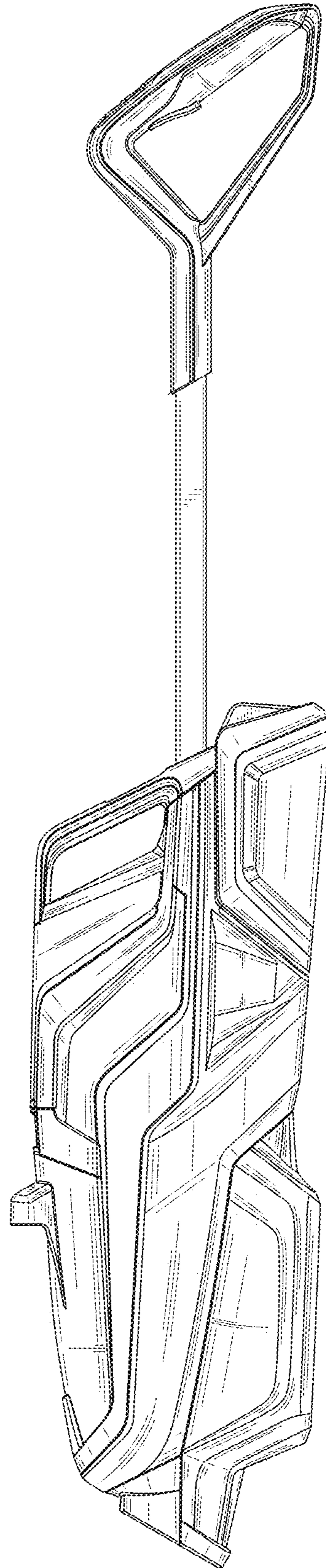
**FIG. 3**



**FIG. 4**

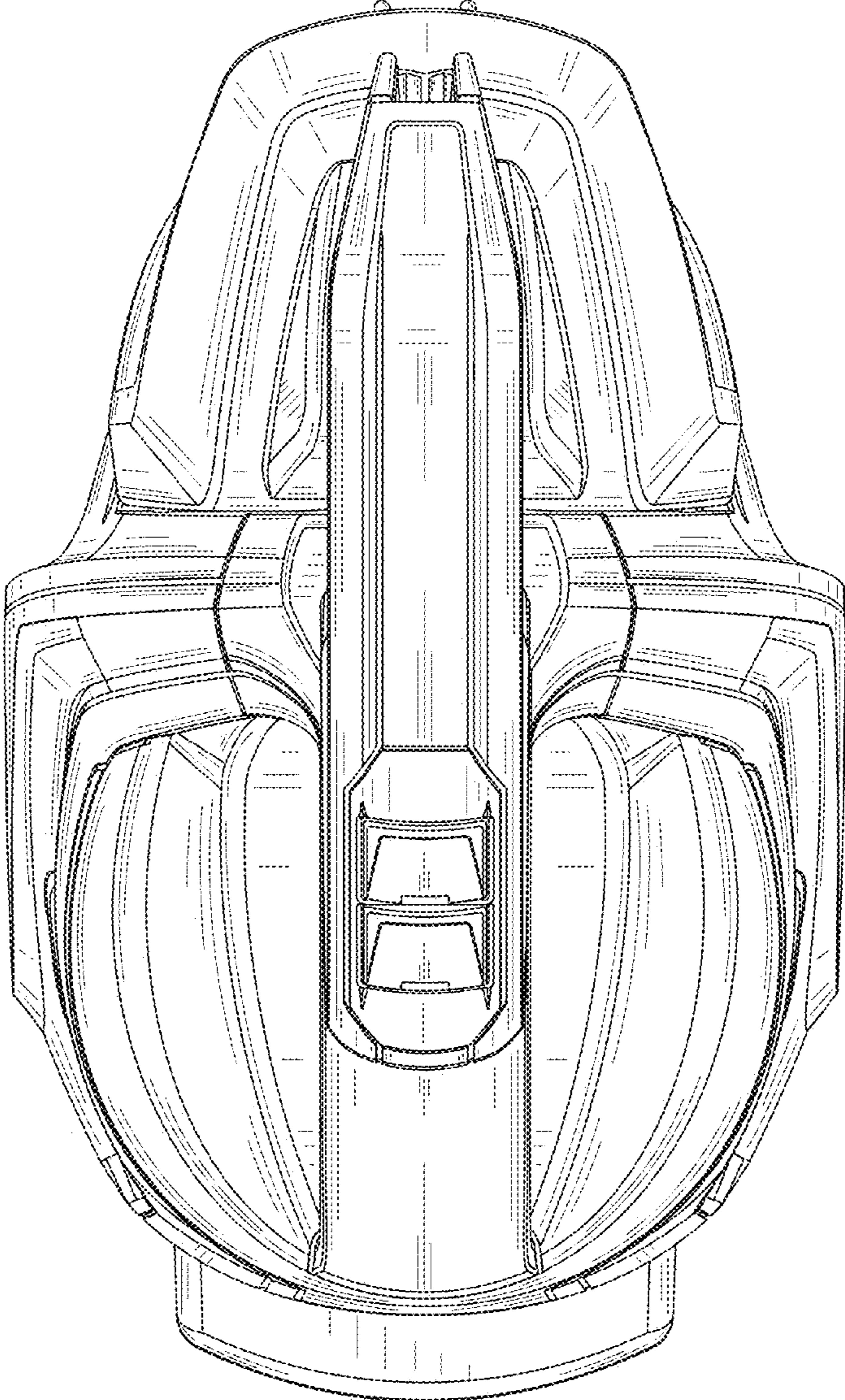


**FIG. 5**



**FIG. 6**





**FIG. 7**