



US00D910944S

(12) **United States Design Patent**
Uim et al.

(10) **Patent No.:** **US D910,944 S**
(45) **Date of Patent:** **** Feb. 16, 2021**

(54) **CLEANER**

FOREIGN PATENT DOCUMENTS

(71) Applicant: **Samsung Electronics Co., Ltd.**,
Suwon-si (KR)

CN 301348119 9/2010
CN 301853686 * 3/2012

(Continued)

(72) Inventors: **Donghyuk Uim**, Seoul (KR);
Yeonyoung Nam, Goyang-si (KR);
Hyungsub Choi, Goyang-si (KR)

OTHER PUBLICATIONS

(73) Assignee: **SAMSUNG ELECTRONICS CO., LTD.**,
Gyeonggi-Do (KR)

Dyson Air Multiplier, available Bed Bath and Beyond.com, customer review oldest date Oct. 30, 2011 [online],[site visited Oct. 30, 2020], Internet URL: <https://www.bedbathandbeyond.com/store/product/dyson-air-multiplier-am07-40-inch-bladeless-tower-fan/3252412> (Year: 2011).*

(**) Term: **15 Years**

(Continued)

(21) Appl. No.: **29/681,735**

Primary Examiner — Dana K Weiland

(22) Filed: **Feb. 27, 2019**

Assistant Examiner — Jennylou M Binas

(30) **Foreign Application Priority Data**

(74) *Attorney, Agent, or Firm* — Cantor Colburn LLP

Aug. 29, 2018 (KR) 30-2018-0040337

(51) **LOC (13) Cl.** **15-05**

(52) **U.S. Cl.**

USPC **D32/22; D32/21**

(58) **Field of Classification Search**

USPC D32/15, 17, 18, 21, 23, 24, 31; D21/526

CPC ... A47L 5/24; A47L 5/225; A47L 5/28; A47L 5/30; A47L 5/34; A47L 5/362; A47L 5/365; A47L 9/0411; A47L 9/1409; A47L 9/1481; A47L 9/16; A47L 9/1608; A47L 9/1675; A47L 9/1683; A47L 9/1691; A47L 9/2852; A47L 9/32; A47L 9/322; A47L 9/325; A47L 11/20; A47L 11/24; A47L 11/26;

(Continued)

(57) **CLAIM**

The ornamental design for a cleaner, as shown and described.

DESCRIPTION

FIG. 1 is a front perspective view of a cleaner, showing our new design;

FIG. 2 is a front view thereof;

FIG. 3 is a rear view thereof;

FIG. 4 is a left-side view thereof;

FIG. 5 is a right-side view thereof;

FIG. 6 is a top view thereof;

FIG. 7 is a bottom view thereof;

FIG. 8 is a side perspective view thereof;

FIG. 9 is an enlarged view of the encircled portion 9 in FIG. 1; and,

FIG. 10 is an enlarged view of the encircled portion 10 in FIG. 3.

The broken lines illustrating portions of the cleaner form no part of the claimed design. The dot-dash broken lines encircling enlargement portions of the cleaner form no part of the claimed design.

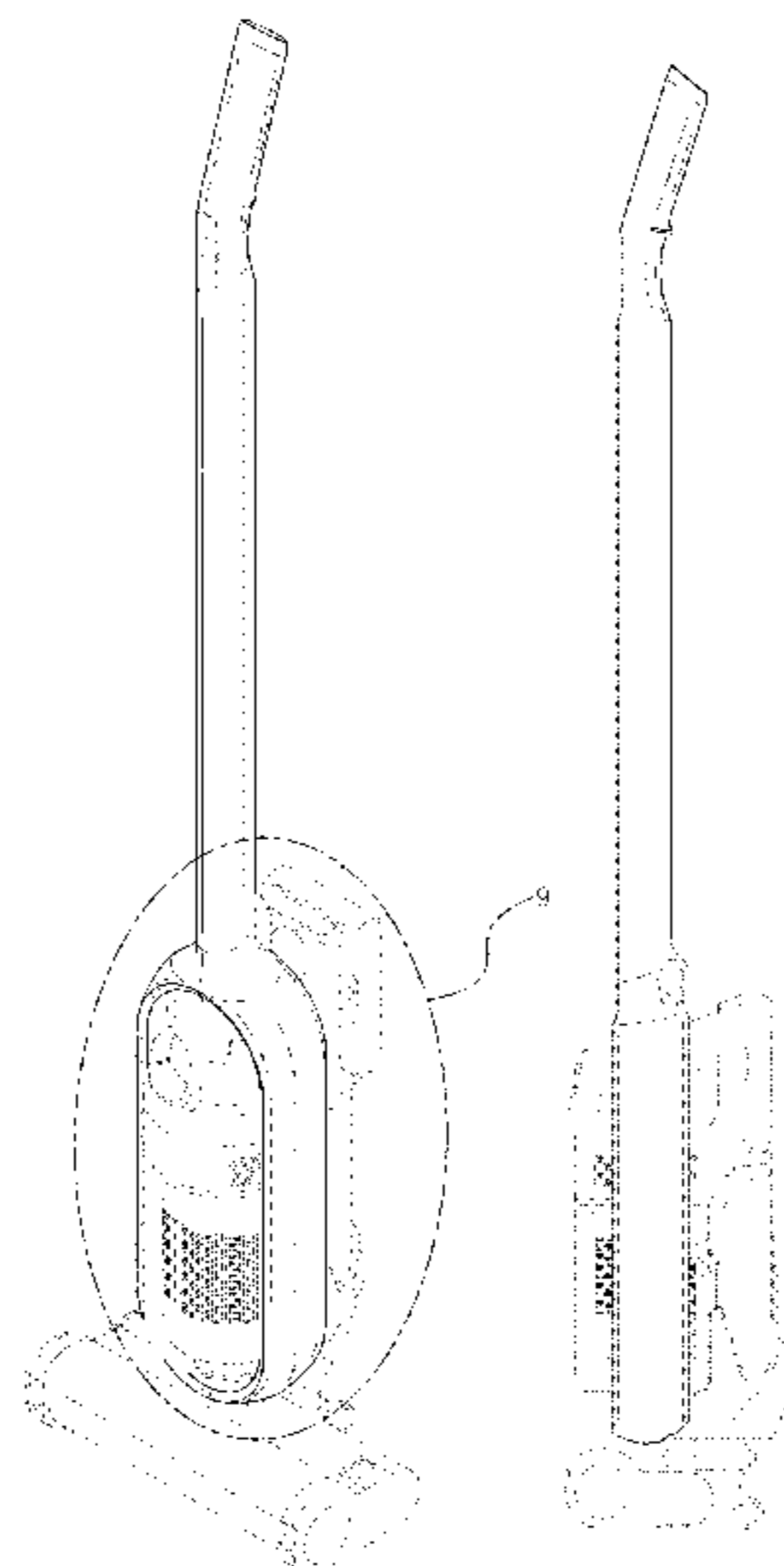
(56) **References Cited**

U.S. PATENT DOCUMENTS

D305,373 S * 1/1990 Yamamoto D32/22
D382,681 S * 8/1997 Thomas D32/22

(Continued)

1 Claim, 7 Drawing Sheets



(58) **Field of Classification Search**

CPC A47L 11/28; A47L 11/30; A47L 11/302;
 A47L 11/34; A47L 11/4011; A47L
 11/4036; A47L 11/4044; A47L 11/4052;
 A47L 11/4083; A47L 13/225; A47L
 2201/00; A47L 2201/022; A14L 7/0004;
 A14L 7/0095; B23Q 11/0046; B23Q
 11/0071; B25D 16/00; B04C 1/00; B04C
 5/185; D01H 11/005; D01H 5/645; F26B
 11/12

See application file for complete search history.

D811,030	S	*	2/2018	Jang	D32/31
D838,823	S	*	1/2019	Yu	D23/364
D866,067	S	*	11/2019	Thompson	D28/13
D873,217	S	*	1/2020	Zhang	D13/108
D892,045	S	*	8/2020	Zhang	D13/108
2002/0088081	A1	*	7/2002	Vystrcil	A47L 5/30 15/389
2006/0021180	A1	*	2/2006	Fukuda	A47L 5/24 15/328
2007/0289085	A1	*	12/2007	Yoo	A47L 5/32 15/334
2009/0276975	A1	*	11/2009	Vines	A47L 11/302 15/347
2020/0069131	A1	*	3/2020	Jung	A47L 9/22

(56)

References Cited

U.S. PATENT DOCUMENTS

D445,977	S	*	7/2001	Paterson	D32/31
D448,816	S	*	10/2001	Bao	D21/526
D453,596	S	*	2/2002	Farone	D32/31
D475,822	S	*	6/2003	Kalman	D32/31
D509,632	S	*	9/2005	Shin	D32/22
D515,753	S	*	2/2006	Kim	D32/22
D518,928	S	*	4/2006	Chiba	D32/22
D532,943	S	*	11/2006	Haranaka	D32/22
7,246,407	B2	*	7/2007	Park	15/354
D556,401	S	*	11/2007	Lee	D32/22
D562,509	S	*	2/2008	Lee	D32/22
7,610,652	B2	*	11/2009	Seo	15/347
D609,417	S	*	2/2010	Hill	D32/31
D660,533	S	*	5/2012	Hill	D32/45
8,435,318	B2	*	5/2013	Lee	55/429
8,453,294	B2	*	6/2013	Lee	15/331
D700,757	S	*	3/2014	Hill	D32/31
D758,010	S	*	5/2016	Bates	D28/13
D758,011	S	*	5/2016	Gammack	D28/13
D796,756	S	*	9/2017	Niedzwecki	D32/22

FOREIGN PATENT DOCUMENTS

CN	301890604	*	4/2012
CN	303949739		11/2016
KR	300397076		11/2005
KR	301015887	*	7/2019
WO	WOD204229-003	*	11/2019

OTHER PUBLICATIONS

Evaporative Coolers, available Amazon.com, customer review oldest date Nov. 14, 2019 [online],[site visited Oct. 30, 2020], Internet URL: https://www.amazon.com/dp/B07T2BYF4V/ref=cm_sw_r_em_apa_i_W1oMFbHJ7GSGY?_encoding=UTF8&pvc=1 (Year: 2019).*

Vincent Cordless Upright Vacuum Cleaner, available in Roomietec.com, announced Year 2020 [online],[site visited Nov. 2, 2020], Internet URL: <https://roomietec.com/products/vincent-cordless-vacuum-cleaner?variant=32187228848164> (Year: 2020).*

* cited by examiner

FIG. 1

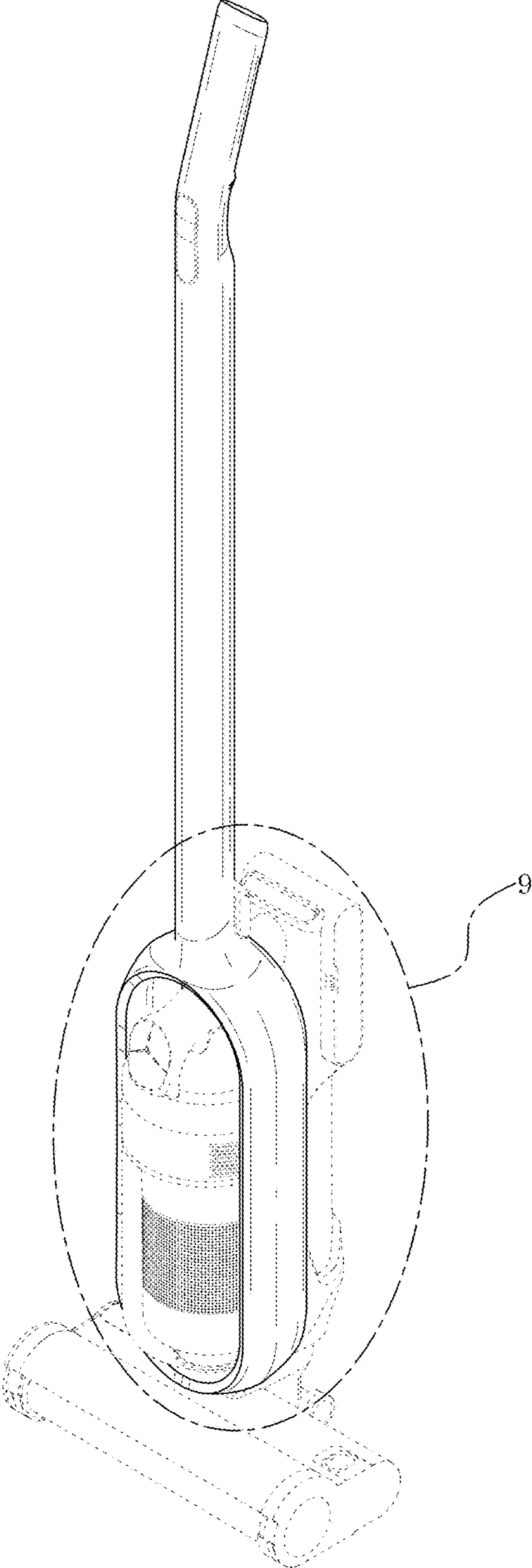


FIG. 2

FIG. 3

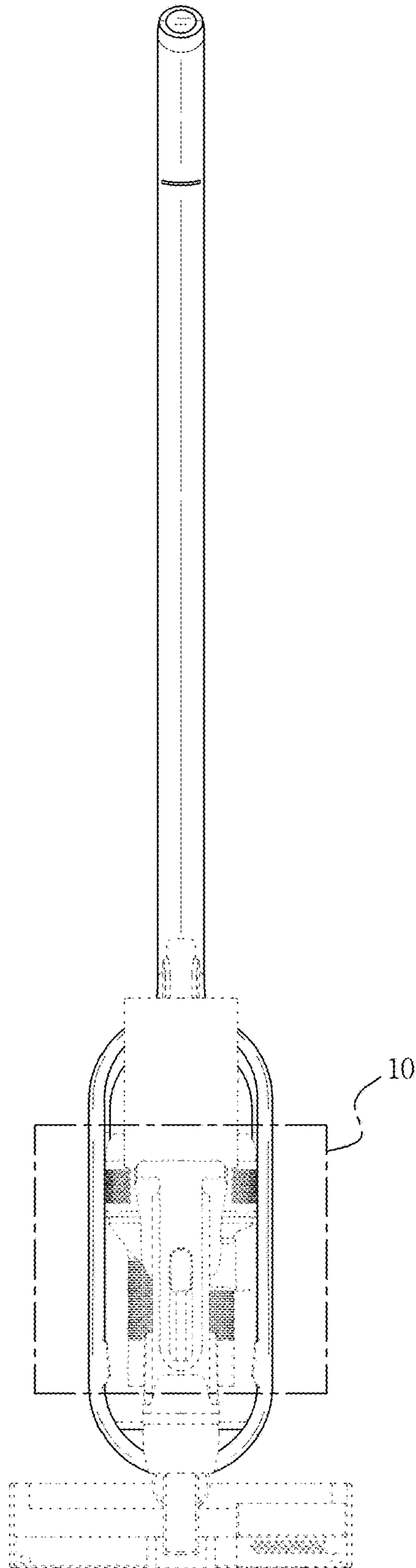
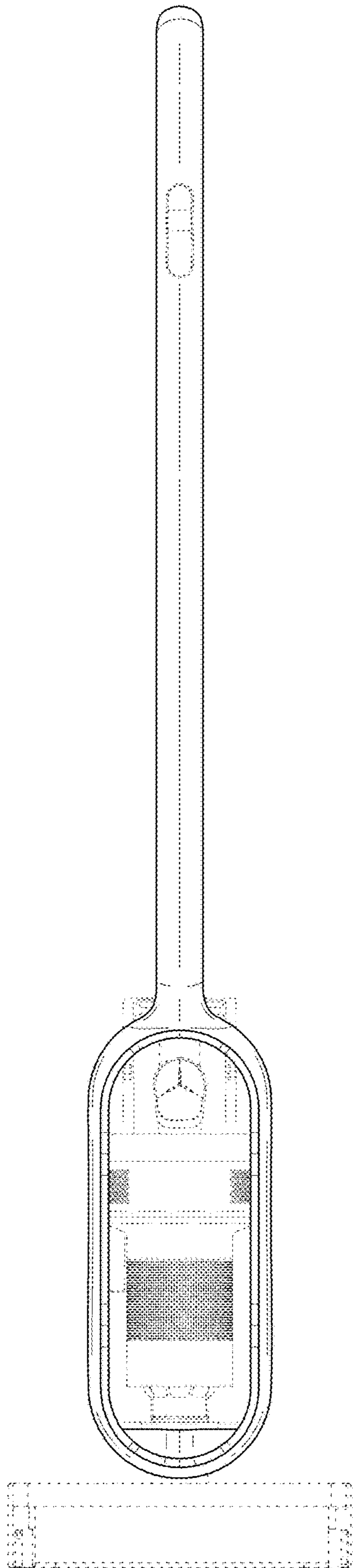


FIG. 4

FIG. 5

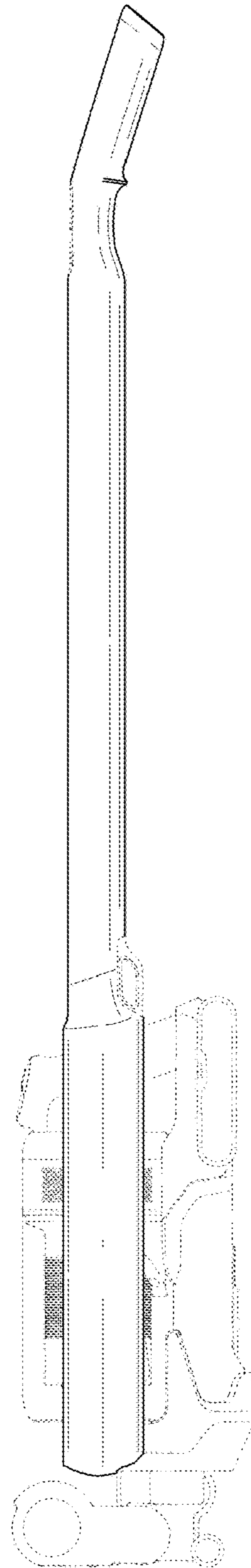
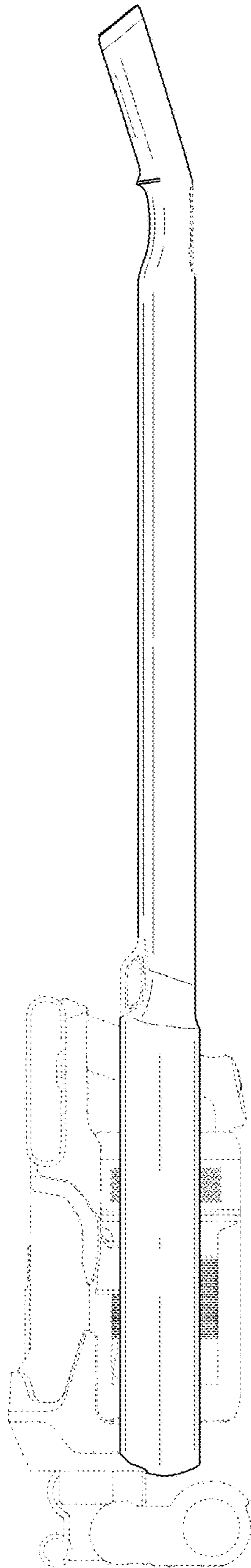


FIG. 6

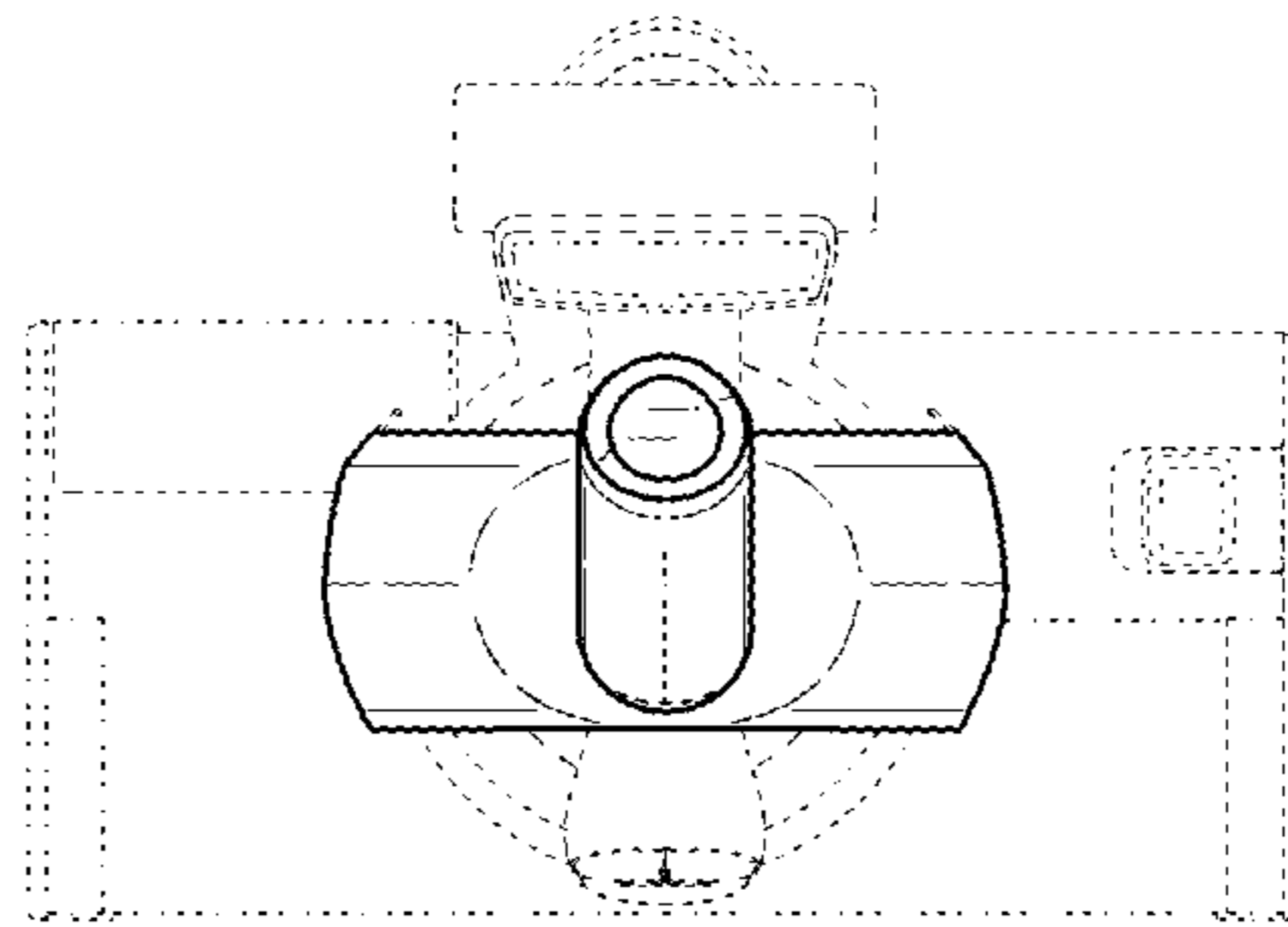


FIG. 7

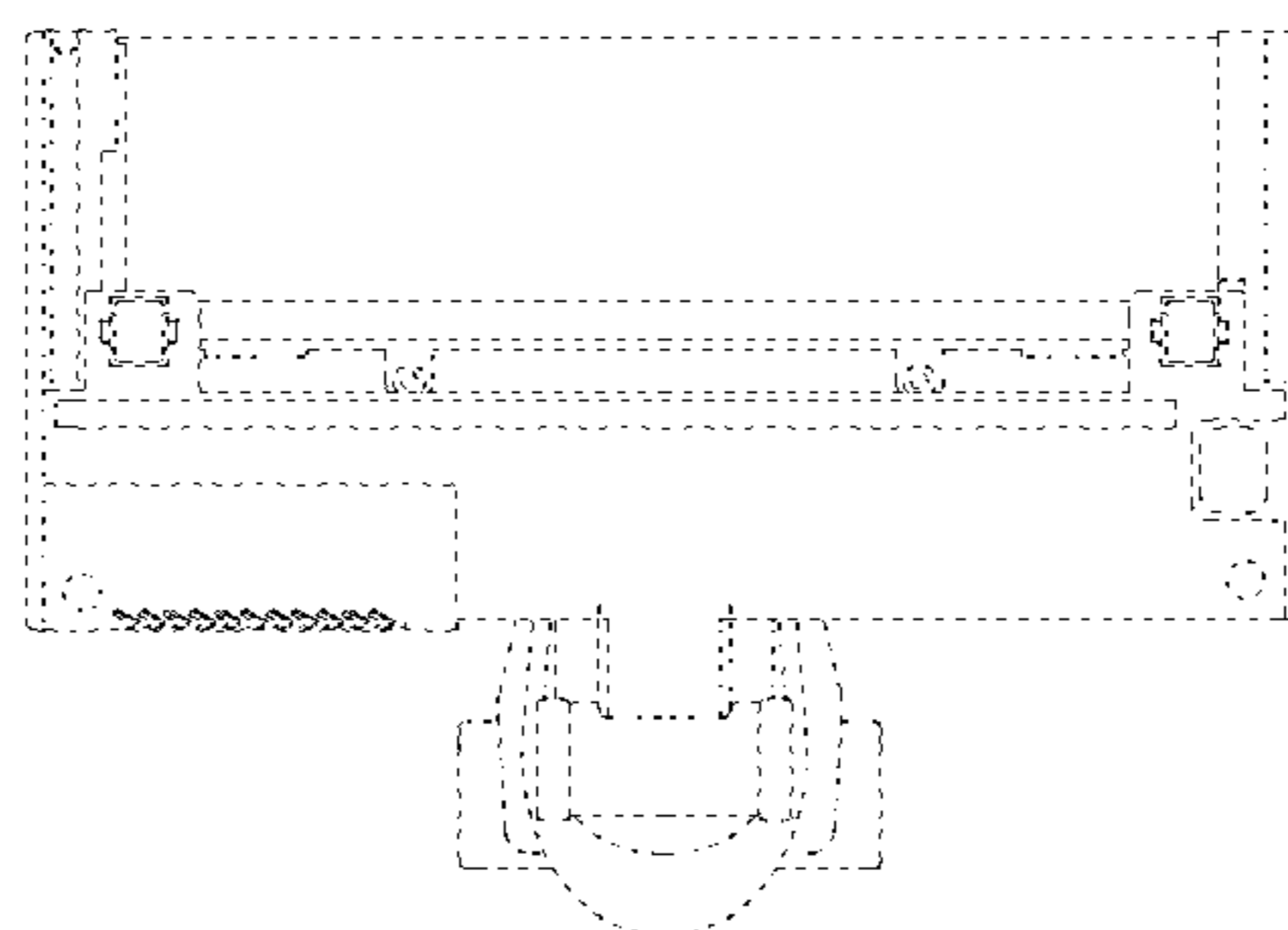


FIG. 8

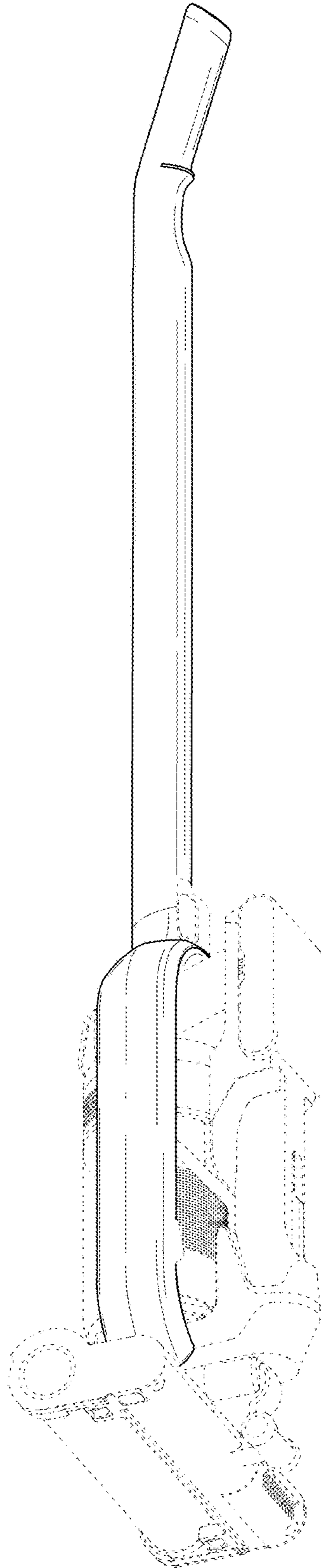


FIG. 9

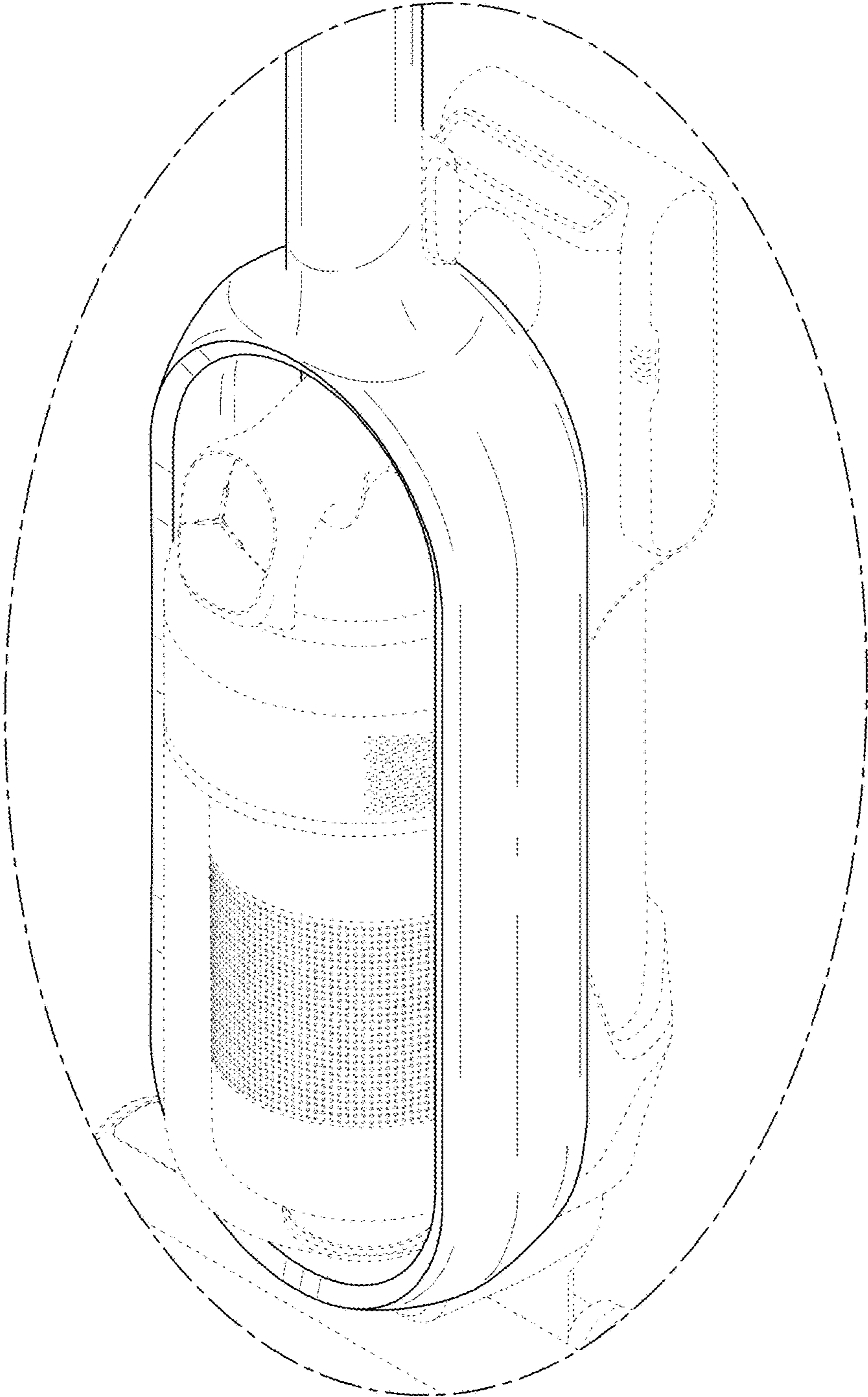


FIG. 10

