



US00D910943S

(12) **United States Design Patent** (10) **Patent No.:** **US D910,943 S**  
**Burchard** (45) **Date of Patent:** **\*\* Feb. 16, 2021**

(54) **FLOOR CLEANING MACHINE**  
(71) Applicant: **Alfred Kaercher SE & Co. KG**,  
Winnenden (DE)  
(72) Inventor: **Jochen Burchard**, Schwäbisch Gmünd  
(DE)

D661,853 S \* 6/2012 Dammkoehler ..... D32/16  
D693,071 S \* 11/2013 Dammkoehler ..... D32/16  
D694,969 S \* 12/2013 Dammkoehler ..... D32/16  
D779,138 S \* 2/2017 Jin ..... D32/16  
D793,635 S \* 8/2017 Dammkoehler ..... D32/16  
2008/0104792 A1\* 5/2008 Coccapani ..... A47L 11/30  
15/320

(Continued)

(73) Assignee: **Alfred Kaercher SE & Co. KG**,  
Winnenden (DE)

FOREIGN PATENT DOCUMENTS

(\*\*) Term: **15 Years**

CN 300856004 \* 12/2008

(21) Appl. No.: **29/655,554**

OTHER PUBLICATIONS

(22) Filed: **Jul. 5, 2018**

Floor Care Machines & Vacuums | Scrubbers, Global Industries  
Auto Floor Scrubber, question date 2017, <https://www.globalindustrial.com/p/janitorial-maintenance/floor-care/scrubbers/global-84> . . . site visited Nov. 24, 2019.\*

(30) **Foreign Application Priority Data**

(Continued)

Jan. 31, 2018 (WO) ..... 6233001

(51) **LOC (13) Cl.** ..... **15-05**

(52) **U.S. Cl.**  
USPC ..... **D32/16**

(58) **Field of Classification Search**  
USPC ..... D32/15-19, 50-52, 43; D8/70  
CPC ..... E04D 13/0765; A01G 20/47; A47L 11/30;  
A47L 11/4066; A47L 11/4002; A47L  
11/4011

*Primary Examiner* — John R Yeh  
(74) *Attorney, Agent, or Firm* — Lipsitz & McAllister,  
LLC

See application file for complete search history.

(57) **CLAIM**

The ornamental design for a floor cleaning machine, as shown and described.

(56) **References Cited**

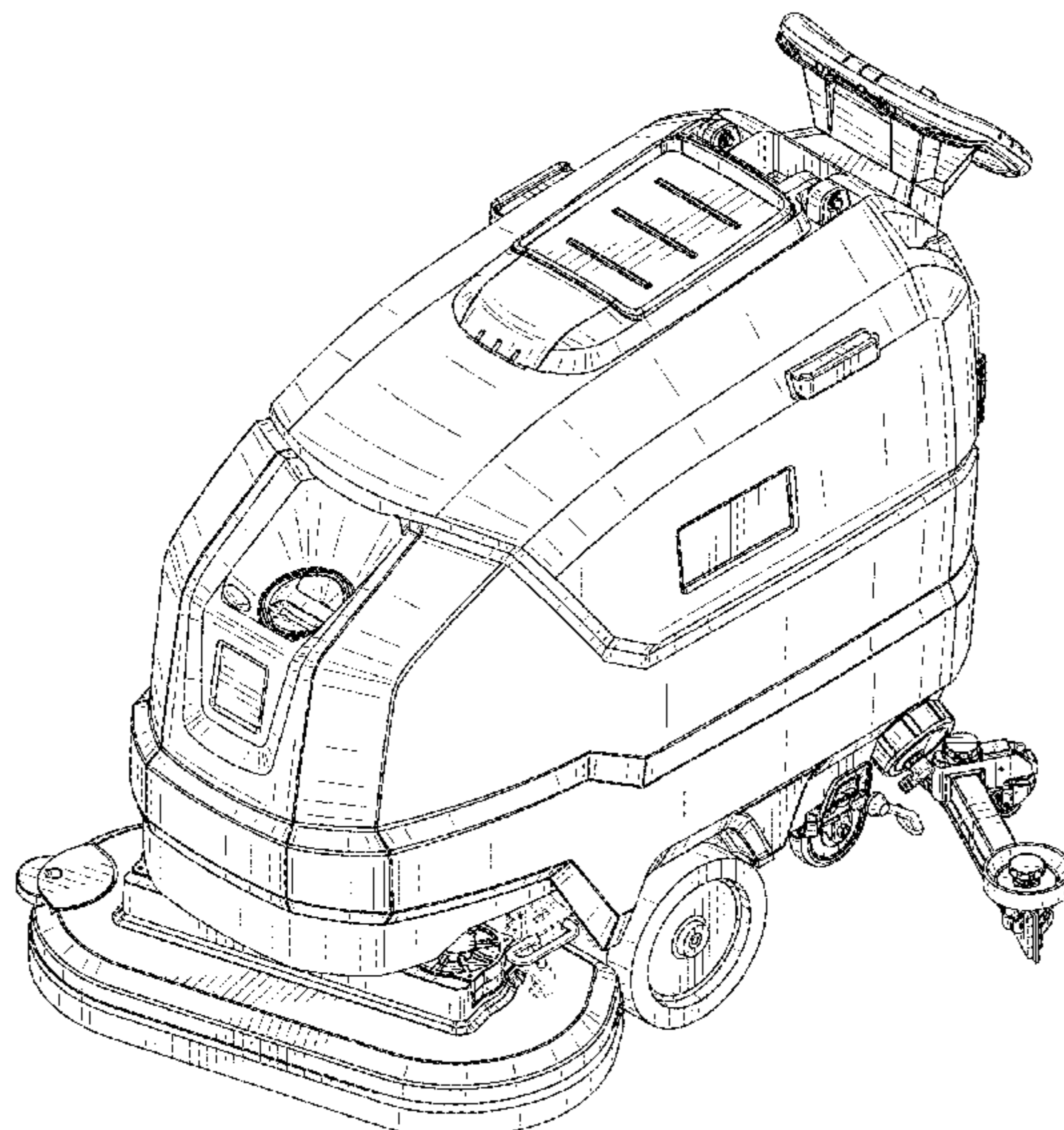
**DESCRIPTION**

U.S. PATENT DOCUMENTS

4,506,405 A \* 3/1985 Block ..... A47L 11/30  
15/320  
D332,158 S \* 12/1992 Bothun ..... D32/15  
5,279,672 A \* 1/1994 Betker ..... A47L 11/305  
134/18  
D417,045 S \* 11/1999 Dzierisk ..... D32/16  
D538,492 S \* 3/2007 Pedlar ..... D32/16  
D549,405 S \* 8/2007 Dammkoehler ..... D32/16  
D569,057 S \* 5/2008 Goff ..... D32/16  
D659,308 S \* 5/2012 Dammkoehler ..... D32/16

FIG. 1 is a front, top and right side perspective view of a floor cleaning machine showing the new design; FIG. 2 is a front, top and left side perspective view thereof; FIG. 3 is a front elevational view thereof; FIG. 4 is a rear elevational view thereof; FIG. 5 is a right side elevational view thereof; FIG. 6 is a left side elevational view thereof; and, FIG. 7 is a top plan view thereof. The broken line showing of various elements in the Figures forms no part of the claimed design.

**1 Claim, 7 Drawing Sheets**



(56)

**References Cited**

U.S. PATENT DOCUMENTS

2013/0239357 A1\* 9/2013 Hoffman ..... B65H 75/42  
15/323

OTHER PUBLICATIONS

Swish Professional, Kärcher B 80 W Roller Scrubber Drier, [https://www.swishclean.com/product.htm?Product=95128850&Source=Category&Category=16\\_EQUIPMENT](https://www.swishclean.com/product.htm?Product=95128850&Source=Category&Category=16_EQUIPMENT), website 2015, site visited Nov. 24, 2019.\*

Alfred Kaercher GmbH & Co. KG, photograph of a floor cleaning machine, 1 page, 2012.

Tennant Co., photographs of floor cleaning machines, 1 page, date unknown.

Viper Products, photograph of a floor cleaning machine, 1 page, date unknown.

Guangzhou Chaobao Cleaning Co.,Ltd, photograph of a floor cleaning machine, 1 page, date unknown.

Hefei Gaomei Cleaning Equipment Co.,Ltd, photograph of a floor cleaning machine, 1 page, date unknown.

\* cited by examiner



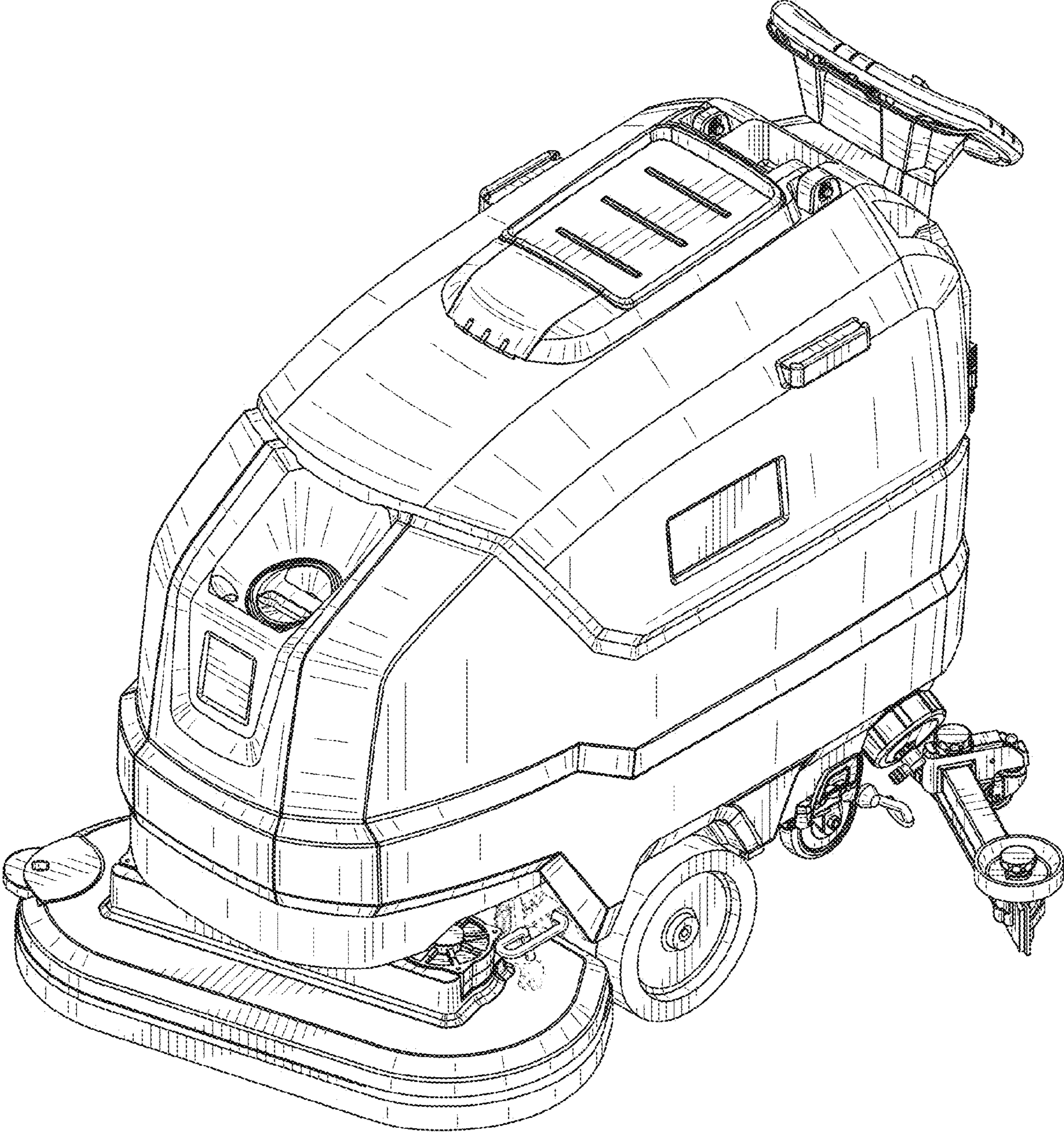


FIG. 1



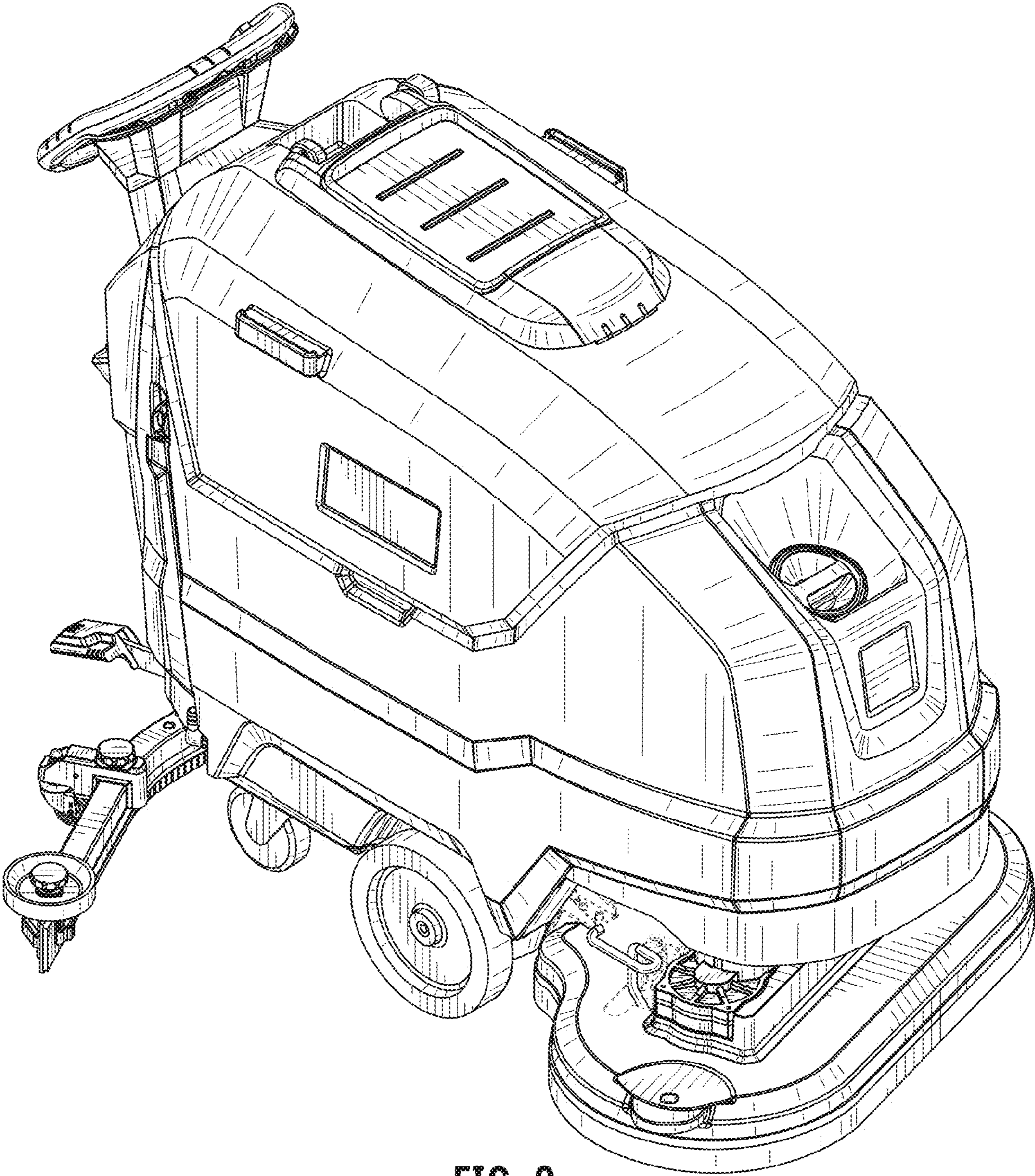


FIG. 2

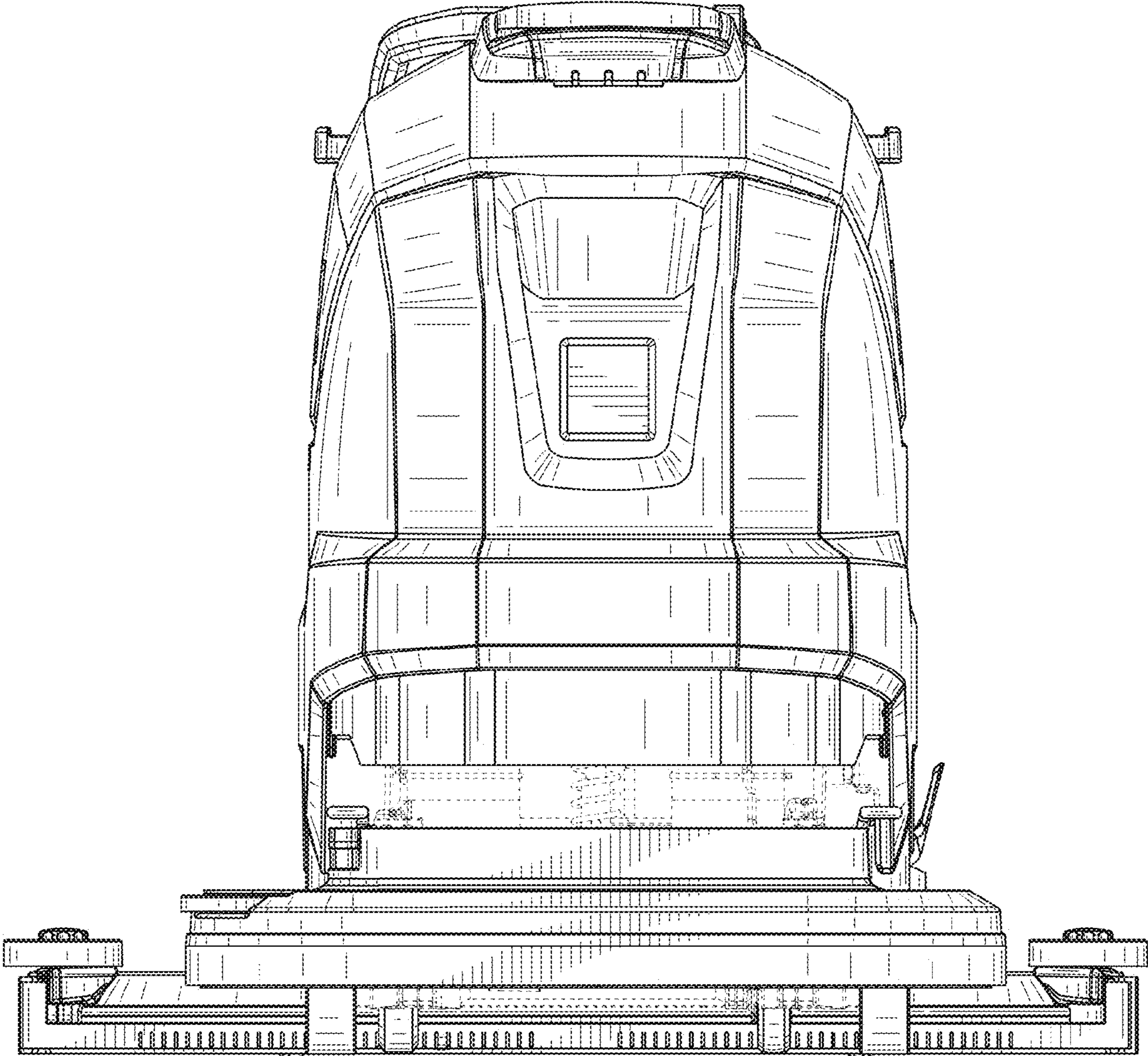


FIG. 3



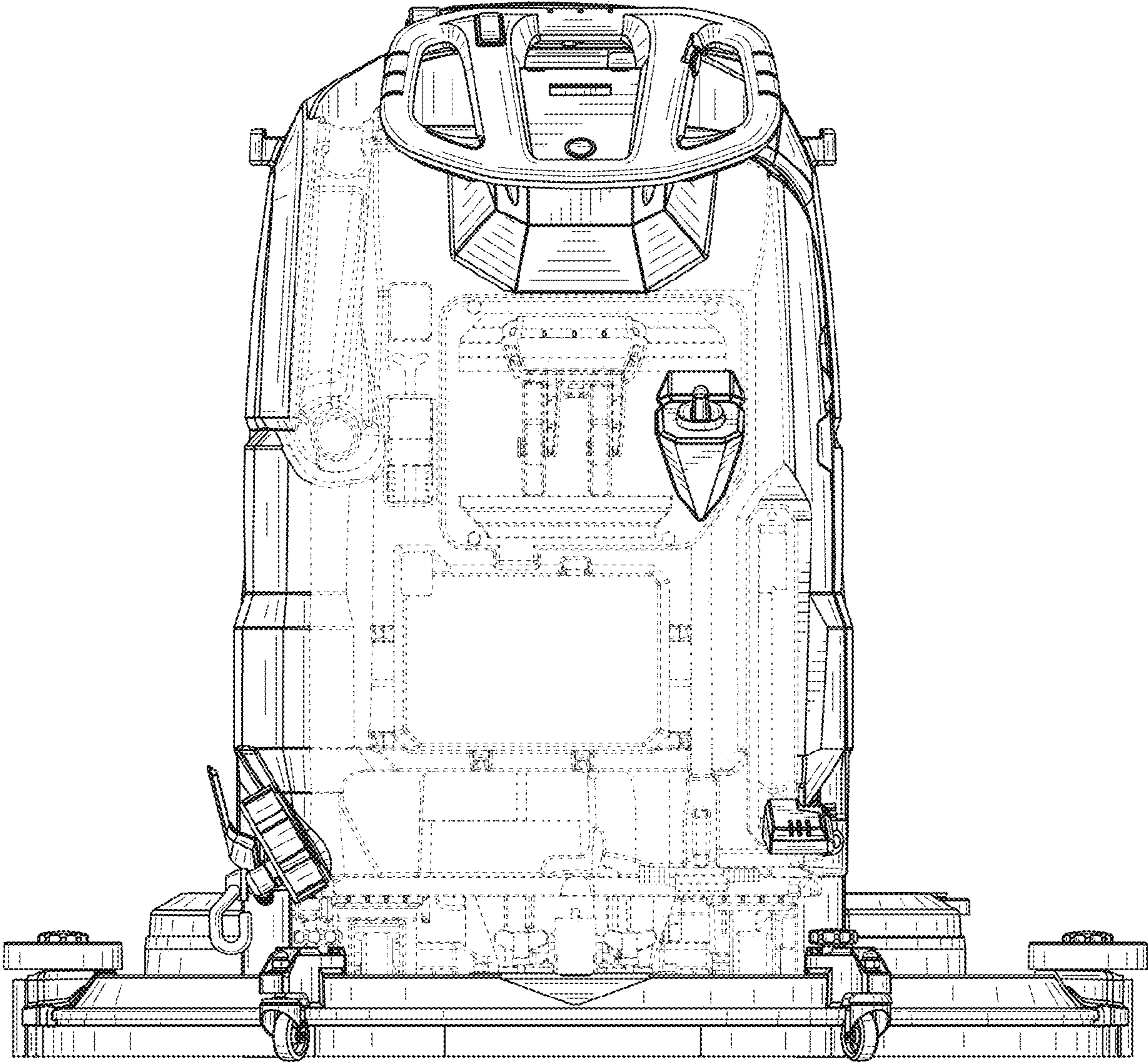


FIG. 4

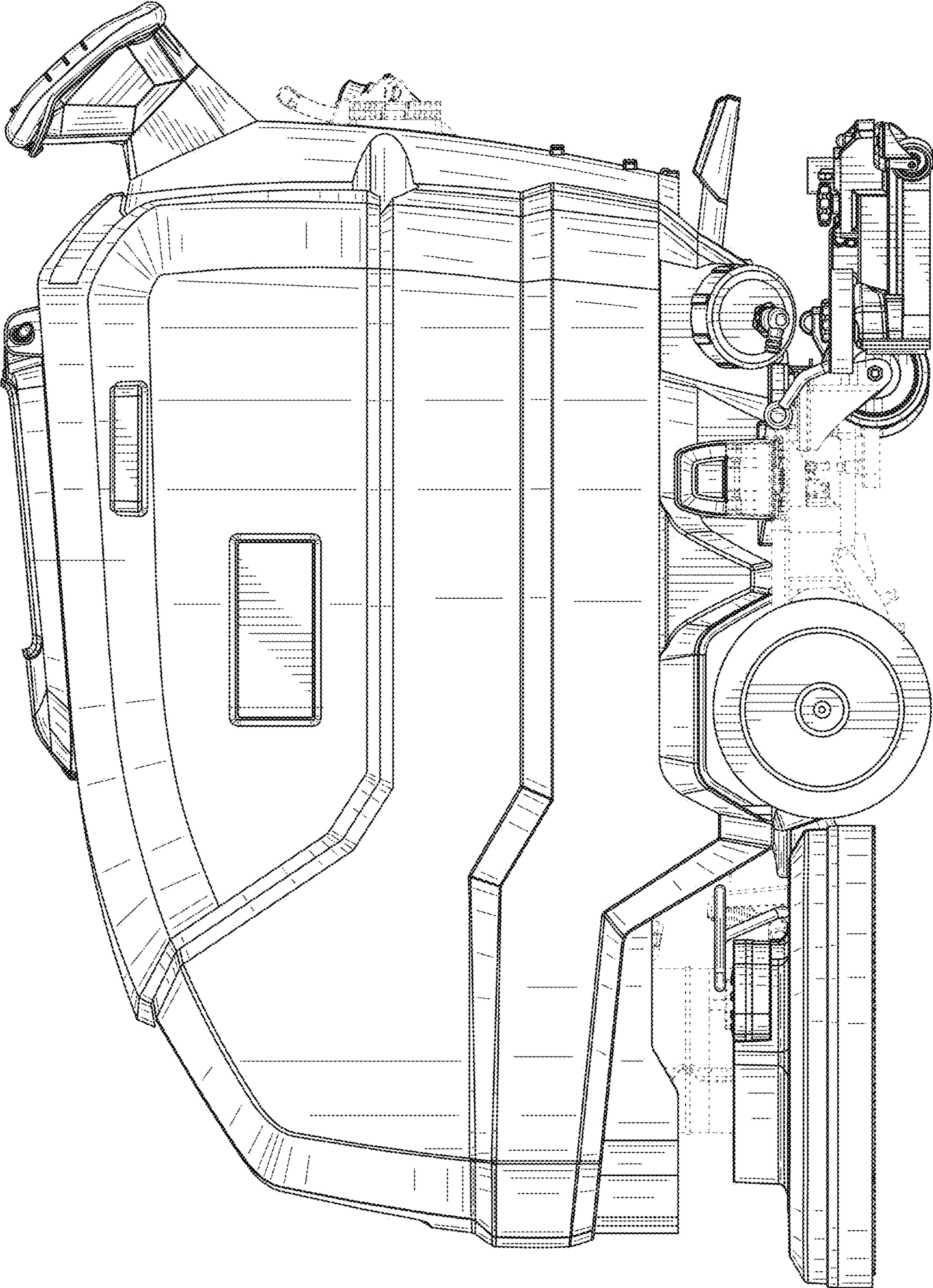


FIG. 5



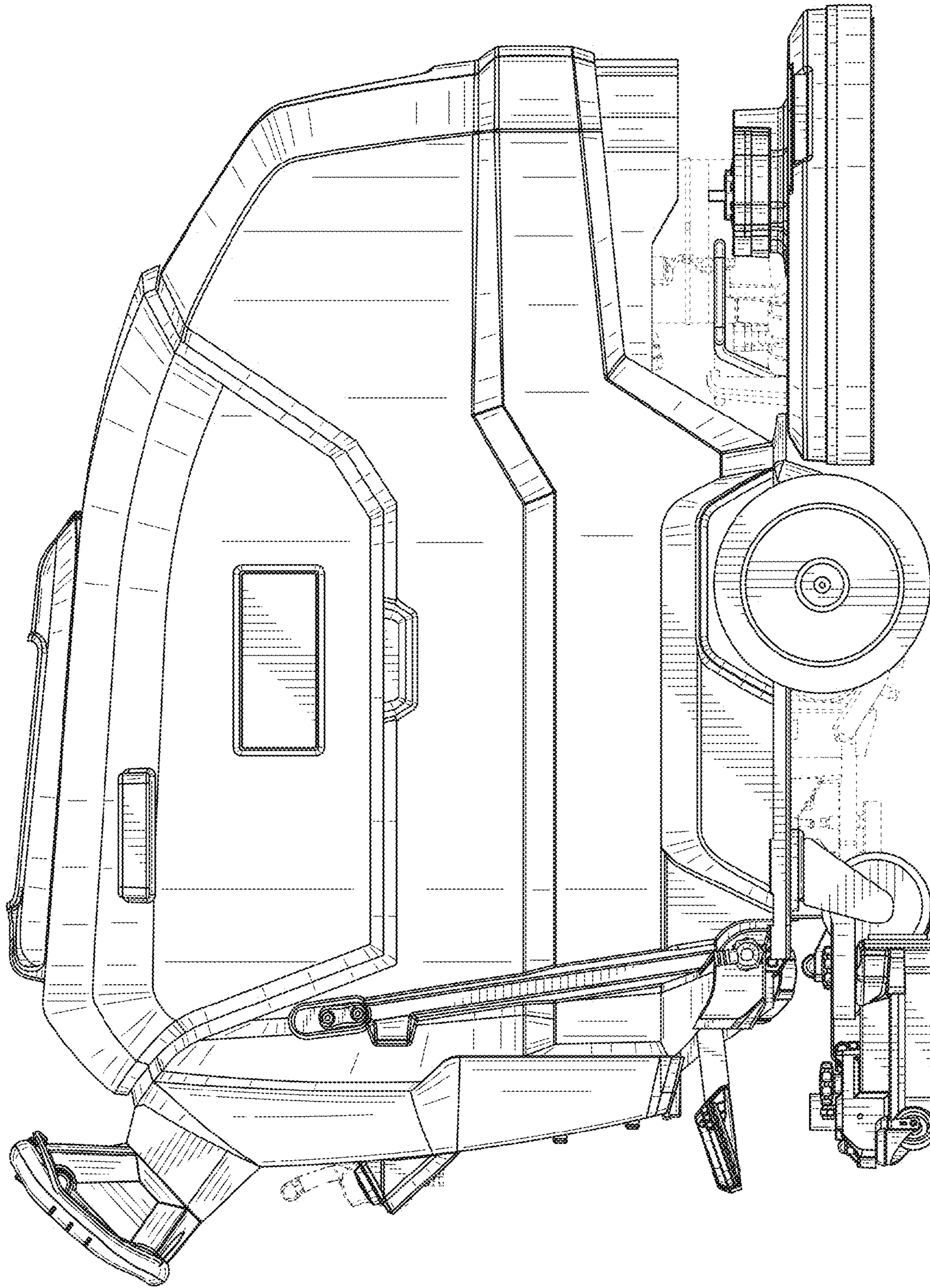


FIG. 6



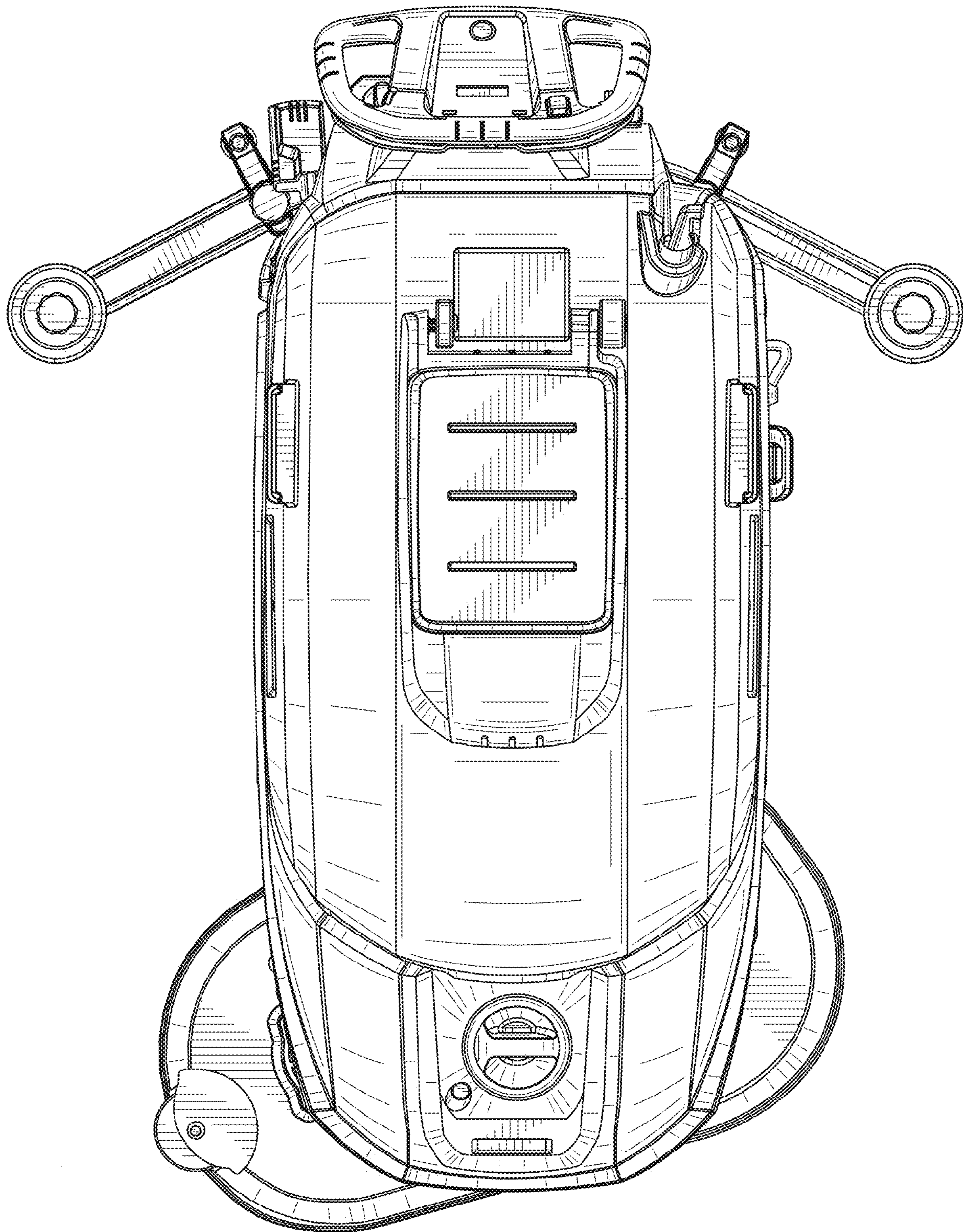


FIG. 7