



US00D910942S

(12) **United States Design Patent**
Schuetz et al.

(10) **Patent No.: US D910,942 S**

(45) **Date of Patent: ** *Feb. 16, 2021**

(54) **TRAILER MOUNTED PRESSURE WASHER**

D223,039 S * 2/1972 Widmer D15/7
3,744,839 A * 7/1973 Stoneburner B60J 5/0498

(71) Applicant: **Northern Tool & Equipment Company, Inc.**, Burnsville, MN (US)

D233,545 S * 11/1974 Johns D32/16

(Continued)

(72) Inventors: **John Schuetz**, Owatonna, MN (US);
Timothy Rancourt, Lakeville, MN (US);
Joseph DeGezelle, Lakeville, MN (US);
Kyle Hecimovich, Lonsdale, MN (US);
Nicholas Rancourt, Minneapolis, MN (US)

FOREIGN PATENT DOCUMENTS

AU 201812028 1/2018
AU 201812030 1/2018

(Continued)

(73) Assignee: **NORTHERN TOOL & EQUIPMENT COMPANY, INC.**, Burnsville, MN (US)

OTHER PUBLICATIONS

NorthStar ProShot Hot Water Commercial Pressure Washer Trailer—3000 PSI, website 2019, site visited Dec. 4, 2019, https://www.northerntool.com/shop/tools/product_200732884_200732884 (Year: 2019).*

(Continued)

(*) Notice: This patent is subject to a terminal disclaimer.

(**) Term: **15 Years**

Primary Examiner — John R Yeh

(21) Appl. No.: **29/642,896**

(74) *Attorney, Agent, or Firm* — Fafinski Mark & Johnson, P.A.

(22) Filed: **Apr. 3, 2018**

(57) **CLAIM**

(51) **LOC (13) Cl.** **15-05**

The ornamental design for a trailer mounted pressure washer, as shown and described.

(52) **U.S. Cl.**

USPC **D32/16**

(58) **Field of Classification Search**

DESCRIPTION

USPC D32/15–19, 50–52, 43; D8/70; D12/95,
D12/101–102; D23/205–207
CPC E04D 13/0765; A01G 20/47; A47L 11/30;
A47L 11/4066; A47L 11/4002; A47L
11/4011

FIG. 1 is a front, right perspective view of our design for a trailer mounted pressure washer;
FIG. 2 is a left, rear perspective view thereof;
FIG. 3 is a front elevation view thereof;
FIG. 4 is a rear elevation view thereof;
FIG. 5 is a left side elevation view thereof;
FIG. 6 is a right side elevation view thereof;
FIG. 7 is a top plan view thereof; and,
FIG. 8 is a bottom plan view thereof.

See application file for complete search history.

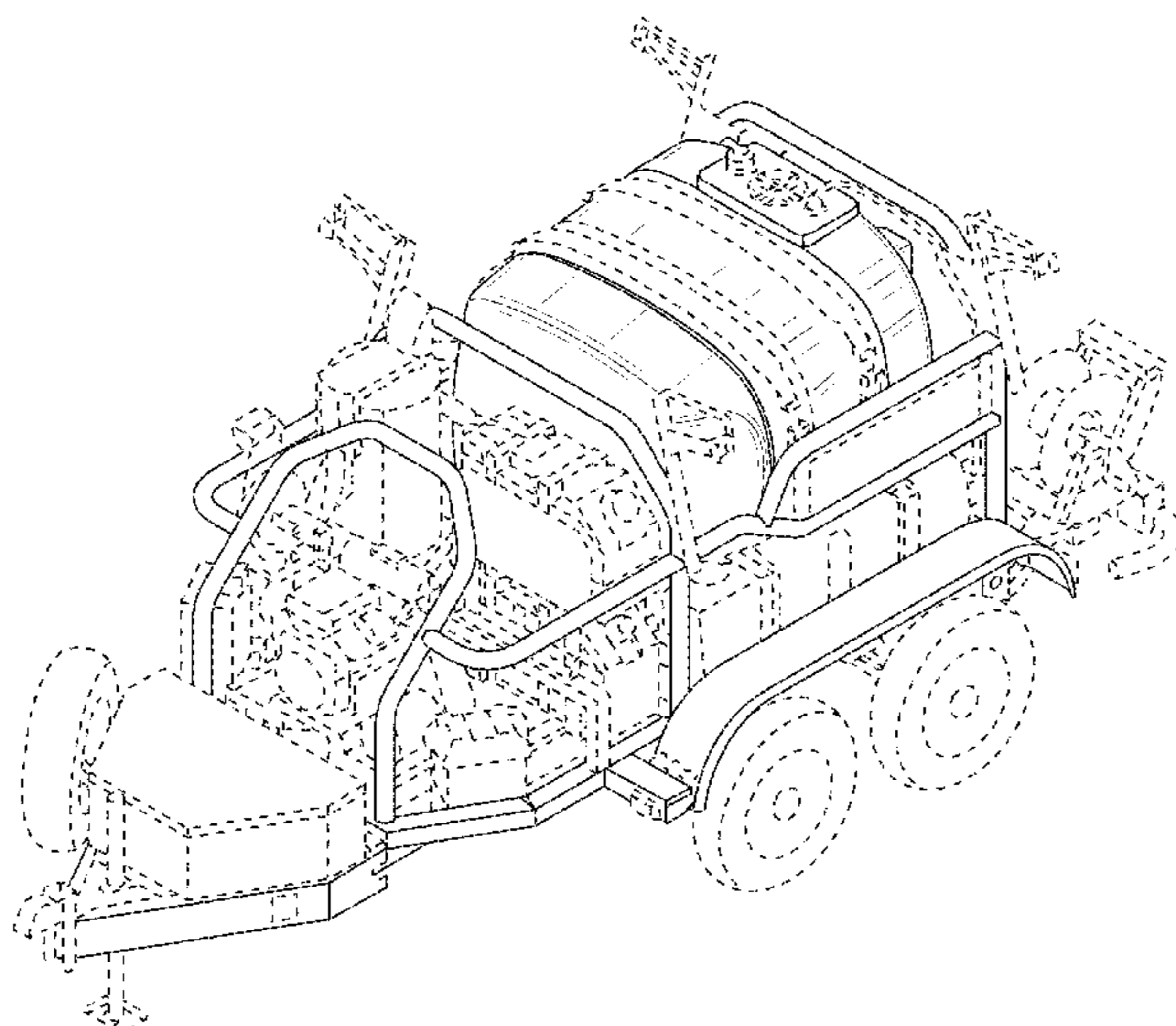
The broken lines in the figures represent portions of the trailer mounted pressure washer that form no part of the claimed design.

(56) **References Cited**

U.S. PATENT DOCUMENTS

127,822 A 6/1872 Ahrenbeck
D120,552 S * 5/1940 Kaul D12/101
D190,953 S * 7/1961 Peterson et al. D12/1
3,263,865 A 8/1966 Kachnik
D219,207 S * 11/1970 Holtkamp D12/101

1 Claim, 8 Drawing Sheets



(56)

References Cited

U.S. PATENT DOCUMENTS

D243,669	S	*	3/1977	Webster	D12/101
4,032,167	A	*	6/1977	Chereda	B60P 3/07 410/3
D253,951	S	*	1/1980	Waters	D32/1
5,002,325	A		3/1991	Fought		
5,299,767	A	*	4/1994	Simpson	B05B 15/00 239/175
5,704,989	A	*	1/1998	Page	A47L 11/34 134/10
D467,692	S	*	12/2002	Morgan	D32/15
D473,494	S		4/2003	Lieberman		
6,715,195	B2		4/2004	Erickson		
D530,242	S	*	10/2006	Prusmack	D12/101
D532,942	S	*	11/2006	Busschaert	D32/15
D534,099	S	*	12/2006	Prusmack	D12/101
7,300,073	B2		11/2007	Bachman		
D570,058	S	*	5/2008	Watson	D32/1
D633,263	S	*	2/2011	Fay	D32/15
D634,083	S	*	3/2011	Fay	D32/15
D639,001	S	*	5/2011	Alexander	D32/15
D658,548	S	*	5/2012	Silva e Costa	D12/95
D659,595	S	*	5/2012	Eliason	D12/102
D714,691	S	*	10/2014	Costello	D12/95
D714,692	S	*	10/2014	Costello	D12/95
D726,382	S	*	4/2015	Taylor	D32/15
D732,764	S	*	6/2015	Kennard	D32/15
D759,547	S	*	6/2016	Van Wyk	D12/102
D824,612	S	*	7/2018	Alexander	D32/16
D824,613	S	*	7/2018	Alexander	D32/16
D834,269	S	*	11/2018	Masters	D32/15
2006/0102745	A1	*	5/2006	Dexter	B05B 9/0855 239/146

FOREIGN PATENT DOCUMENTS

AU	201812032		1/2018
AU	201812033		1/2018
AU	201812037		1/2018
CL	2018001038	W	3/2018
CL	2018001040	W	3/2018
CL	2018001041	W	3/2018
CL	2018001044		3/2018
CL	2016001032	W	4/2018
CL	2018001033	W	4/2018
CL	2018001034	W	4/2018
CL	2018001035	W	4/2018
CL	2018001036		4/2018
CL	2018001037	W	4/2018
CL	2018001039	W	4/2018
CL	2018001042	W	4/2018
CL	2018001043	W	4/2018

OTHER PUBLICATIONS

NorthStar ProShot Hot Water Commercial Pressure Washer Trailer—4000 PSI, website questions 2018, https://www.northerntool.com/shop/tools/product_200697186_200697186, site visited Dec. 4, 2019 (Year: 2018).*

Trailer Pressure Washer Units | Hotsy Industrial website 2020, <https://www.hotsy-az.com/trailers>, site visited Jun. 2, 2020 (Year: 2020).*

Gas Pressure Washers | Simpson 95000 Mobile Trailer, Global Industrial website 2020, https://www.globalindustrial.com/...aram.campaignId=T9F&gclid=EAla1QobChMIs-320efj6QIVkorlCh2zzAWZEAYYBCABEgJ0uPD_BwE, site visited Jun. 2, 2020 (Year: 2020).*

“Owner’s Manual M157563D.3—Trailer Mounted Hot Water/Steam Pressure Washer—Item No. 157563, <https://northerntool.com/images/downloads/manuals/157563.pdf>.”

“Letter by Goytia & Associates regarding Office Action/Notification of Examination Report for Chilean Patent Application No. 2018-01036, said letter dated Jun. 14, 2019, and interpreting the report dated Apr. 20, 2018 issued by Chilean PTO.”

“Report dated Apr. 20, 2018 for Chilean Patent Application No. 2018-01036, issued by the Chilean PTO.”

<http://web.archive.org/web/20150906105925/http://www.northerntool.com/images/downloads/manuals/157595.pdf>.

<https://www.youtube.com/watch?v=fdhbvrFpYU0>.

<http://web.archive.org/web/201703230502/https://www.pressurewashersdirect.com/Cam-Spray-CBG5055HT-Pressure-Washer/p10381.html>.

<https://web.archive.org/web/20161025170211/http://landamidwest.com/products/mobile-wash-trailers/tr-60000-series>.

<https://web.archive.org/web/20161025170211/http://powerlineindustriesreviews.com/index.php/trailer-power-washers>.

<https://www.youtube.com/watch?v=HPSOVOrCVq0>.

“Remarks letter by Applicant.”

<https://amazon.com/26x102-Gooseneck-Trailer-zplsndzsd-26XT/dp/B01E9CXTFWC> (Nov. 28, 2016).

https://amazon.com/dp/B01E9XGG9M/ref=psdc_5743826011_13_B01EQK3L21 (Nov. 28, 2016).

https://amazon.com/dp/B01EQK3L2/ref=psdc_5743826011_11_B01E9XTFWC (Apr. 24, 2016).

https://amazon.com/dp/B01EQK3L2/ref=psdc_5743826011_13B01EQKJOB0 (Apr. 24, 2016).

<https://northerntool.com/images/downloads/manuals/157565.pdf> (it is believed the link was published by Applicant on or around Nov. 29, 2018).

<https://northerntool.com/images/downloads/manuals/157567.pdf> (it is believed the link was published by Applicant on or around Jan. 29, 2019).

<https://northerntool.com/images/downloads/manuals/157569.pdf>.

<http://web.archive.org/web/20160531105620/http://ultimatewasher.com/trailer-pressure-power-washers.htm>.

<http://web.archive.org/web/20161105004125/http://powerlineindustriesreviews.com/index.php/trailer-power-washers>.

<http://web.archive.org/web/20170903074431/https://www.ramteg.com/en/custom-trailers-photos>.

Letter by Goytia & Associates regarding second Office Action/Notification of Examination Report for Chilean Patent Application No. 2018-01036, said letter dated Dec. 27, 2019, and interpreting the report issued by Chilean PTO.

Trailer Mounted Hot Water/Steam Pressure Water 3000 PSI/4.0GPM, (item No. 157561 <https://www.northerntool.com/images/downloads/manuals/157561.pdf>).

Trailer Mounted Hot Water/Steam Pressure Water 3000 PSI/4.0GPM, (item No. 157561 <https://www.northerntool.com/images/downloads/manuals/157561.pdf>).

Trailer Mounted Hot Water/Steam Pressure Water 3000 PSI/4.0GPM, (item No. 157561 <https://www.northerntool.com/images/downloads/manuals/157561.pdf>).

Trailer Mounted Hot Water/Steam Pressure Water 3000 PSI/4.0GPM, (item No. 157561 <https://www.northerntool.com/images/downloads/manuals/157561.pdf>).

* cited by examiner

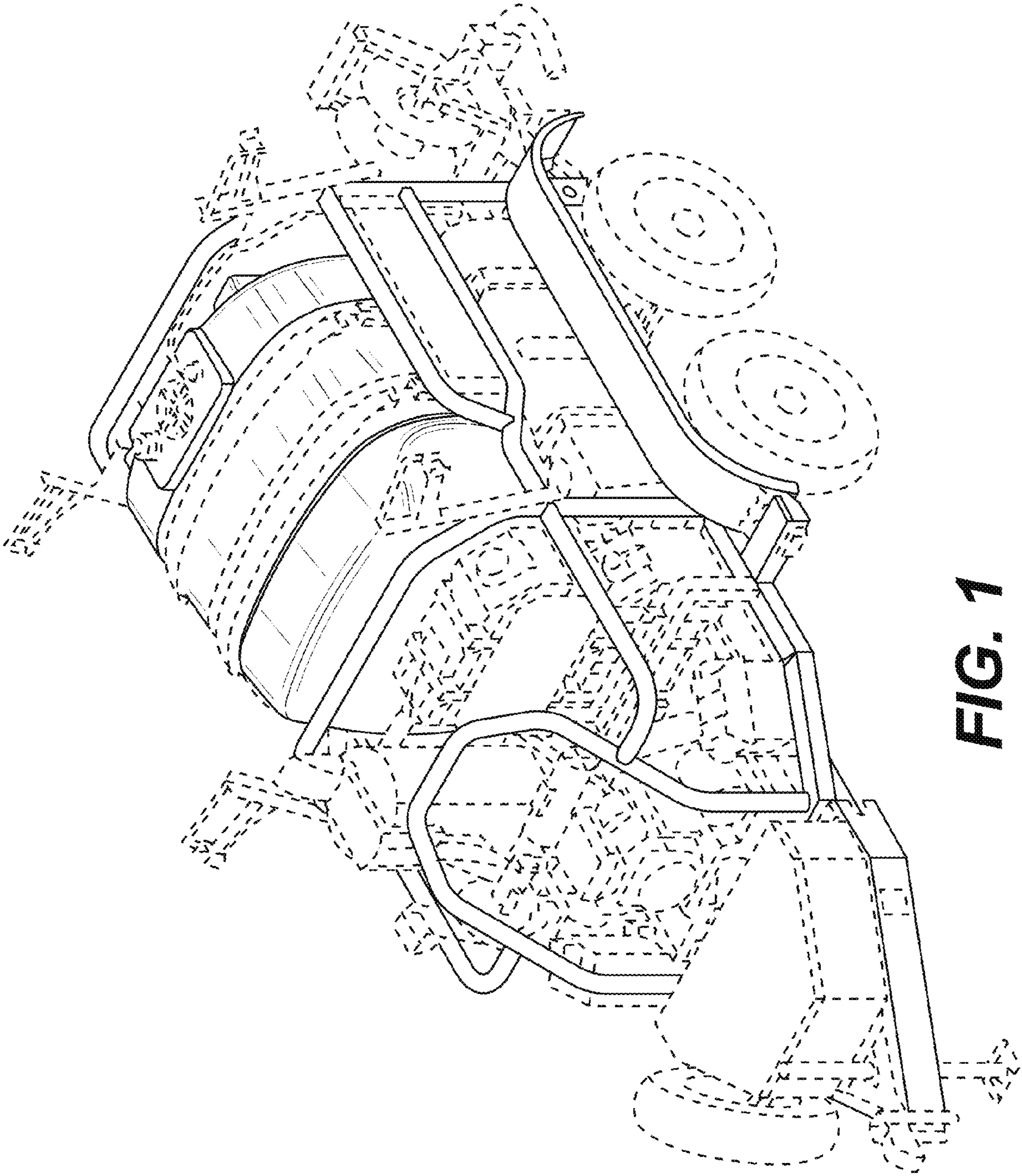
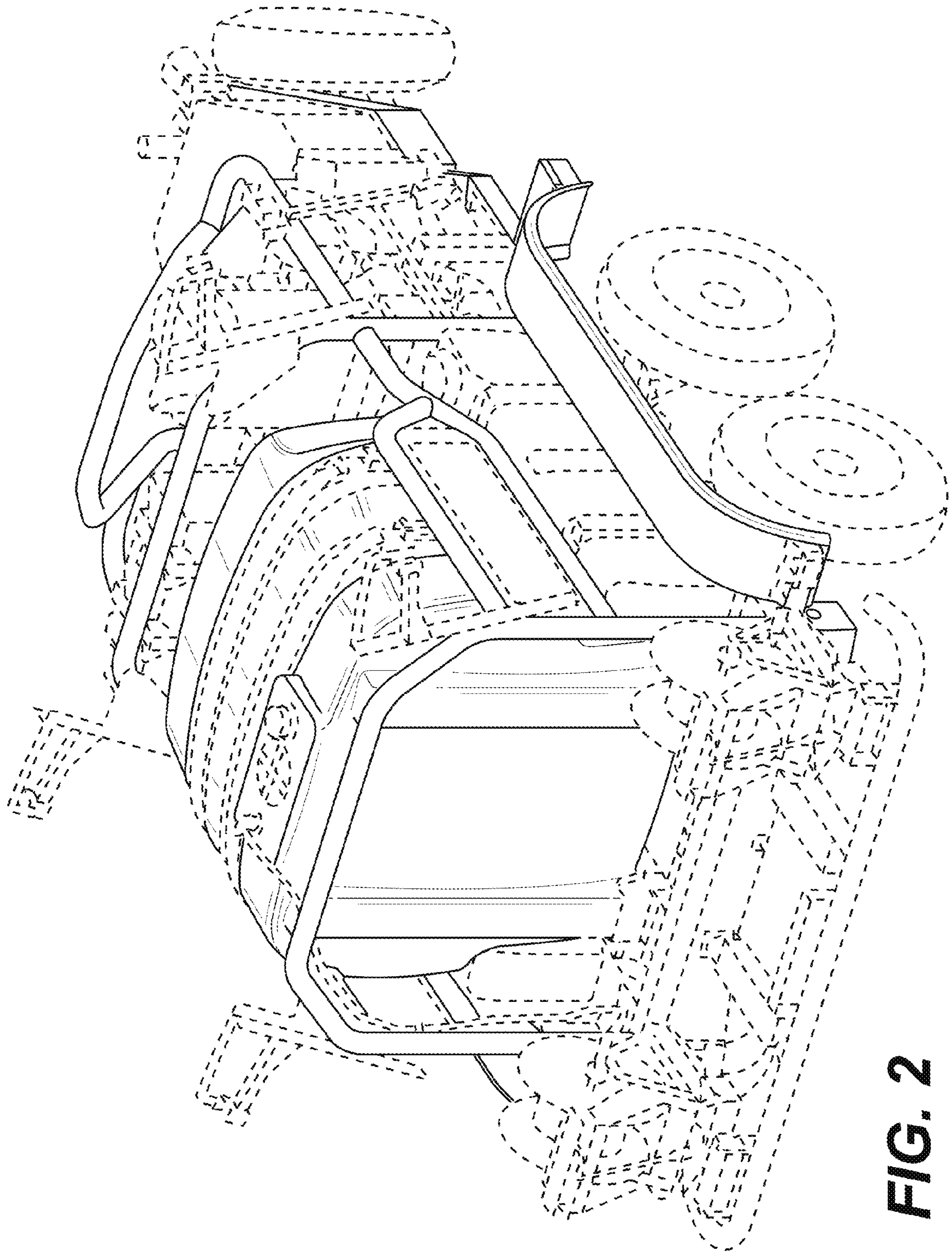


FIG. 1



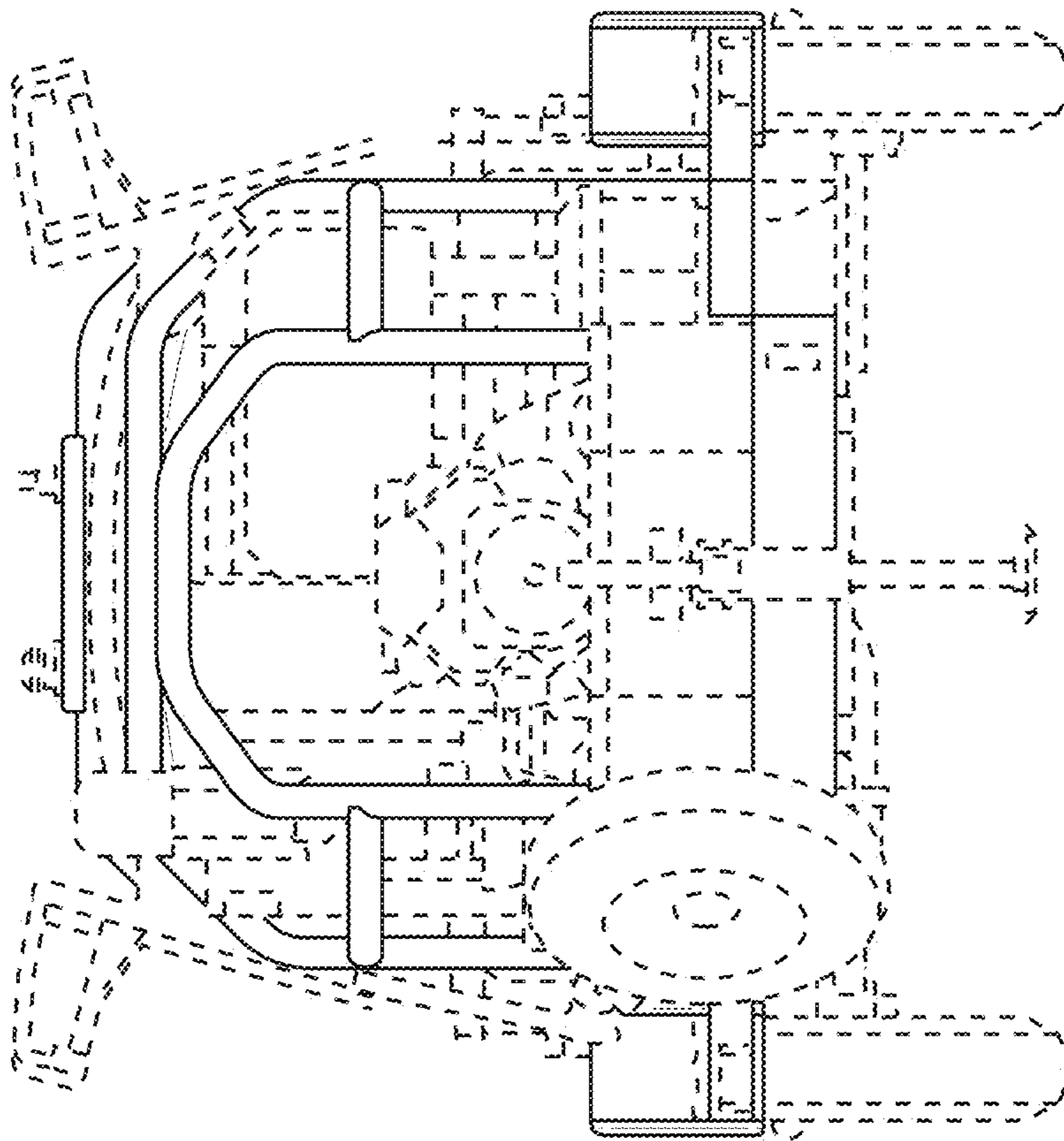


FIG. 3

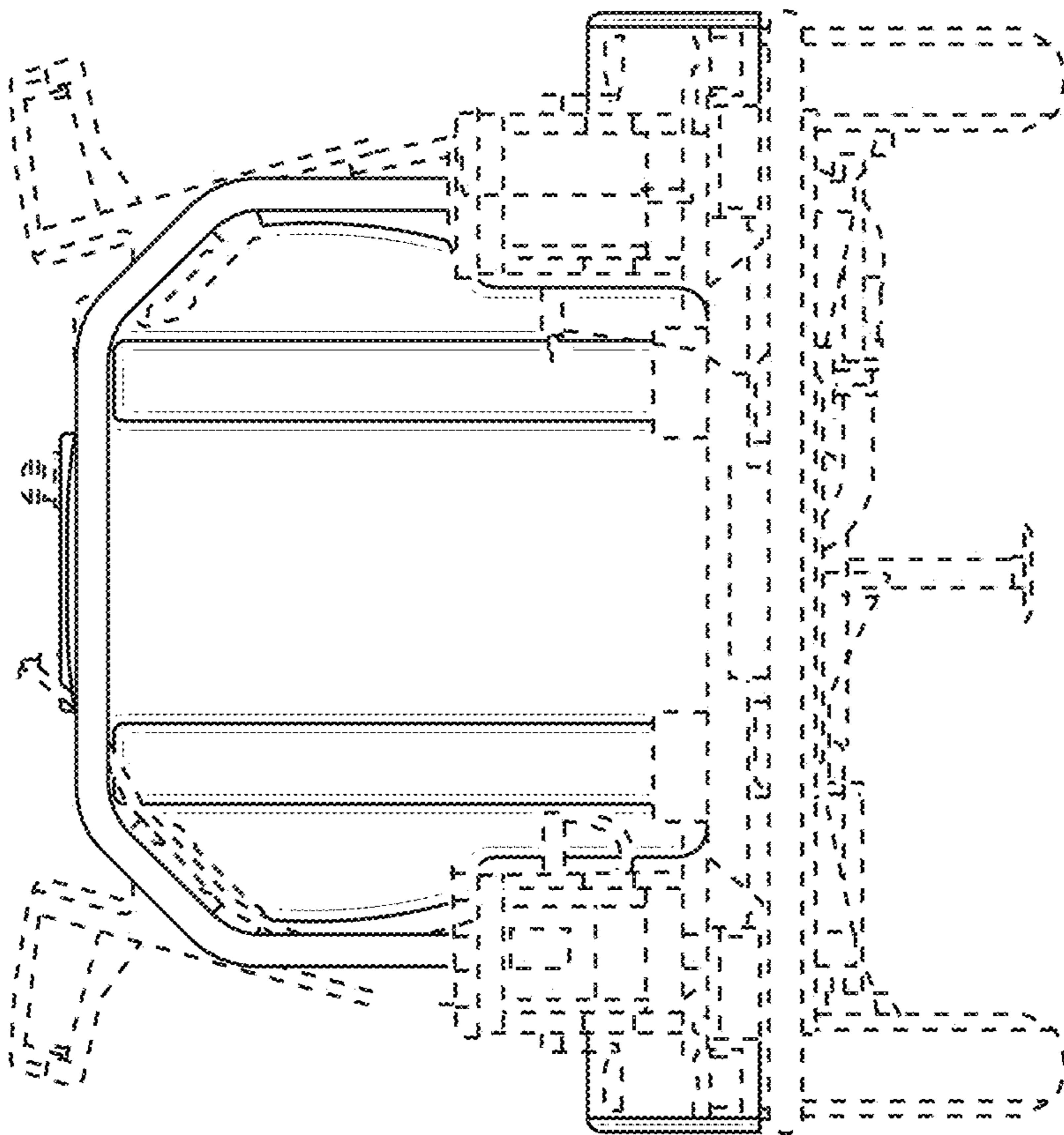


FIG. 4

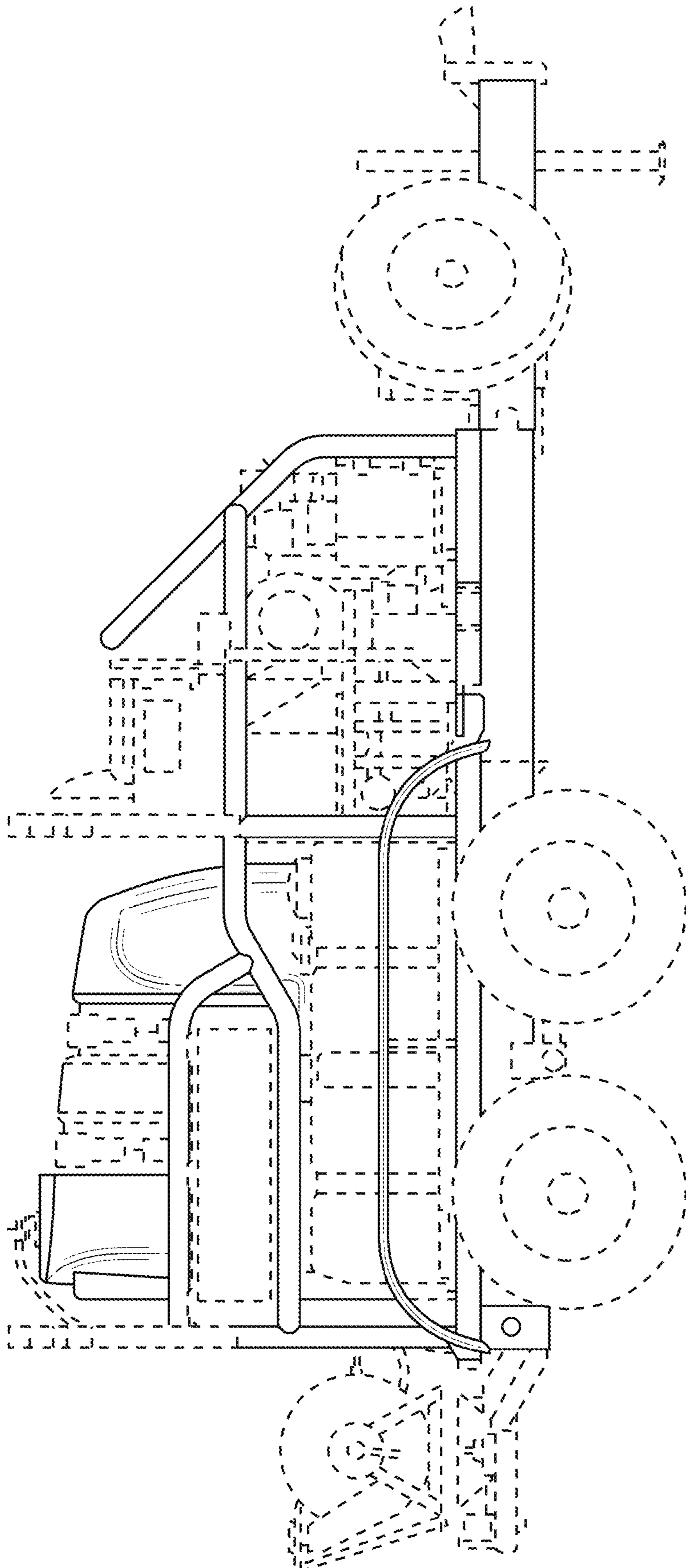


FIG. 5

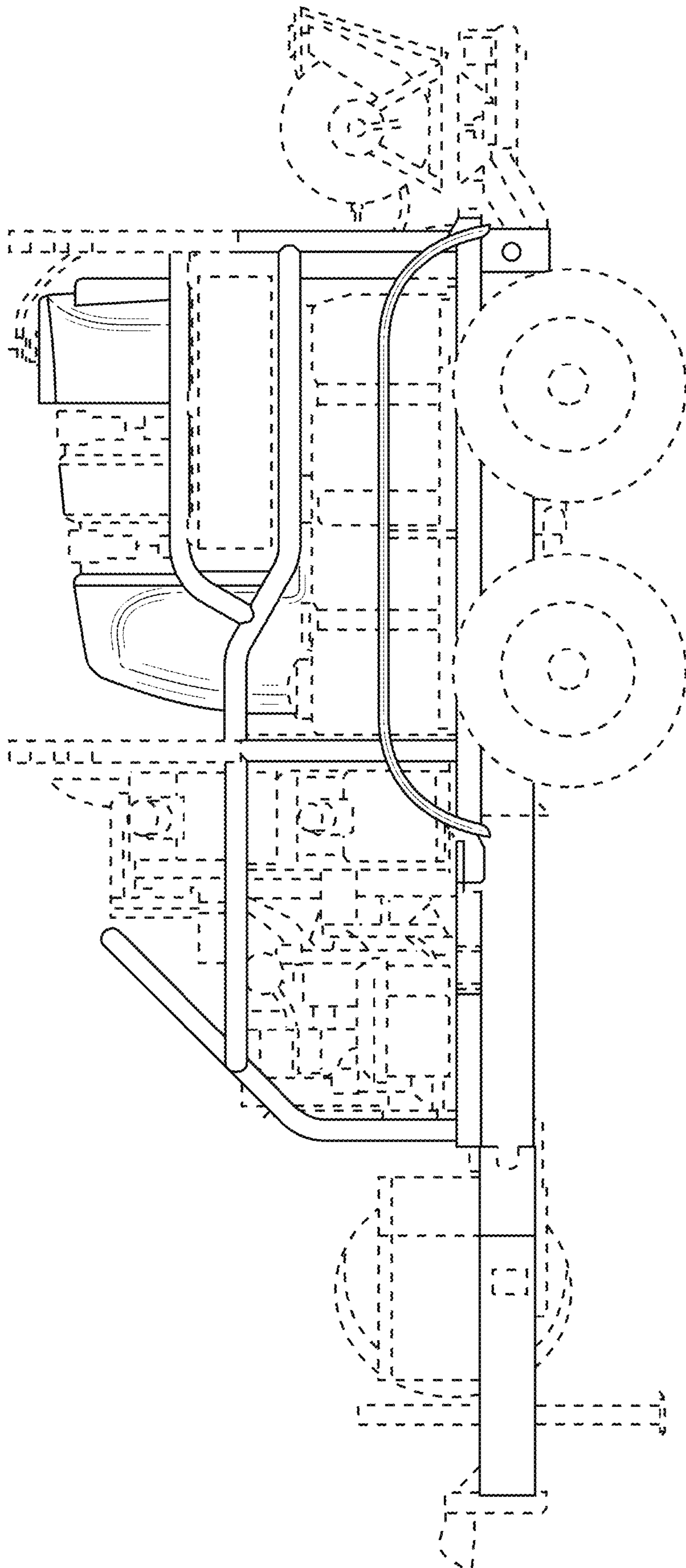


FIG. 6

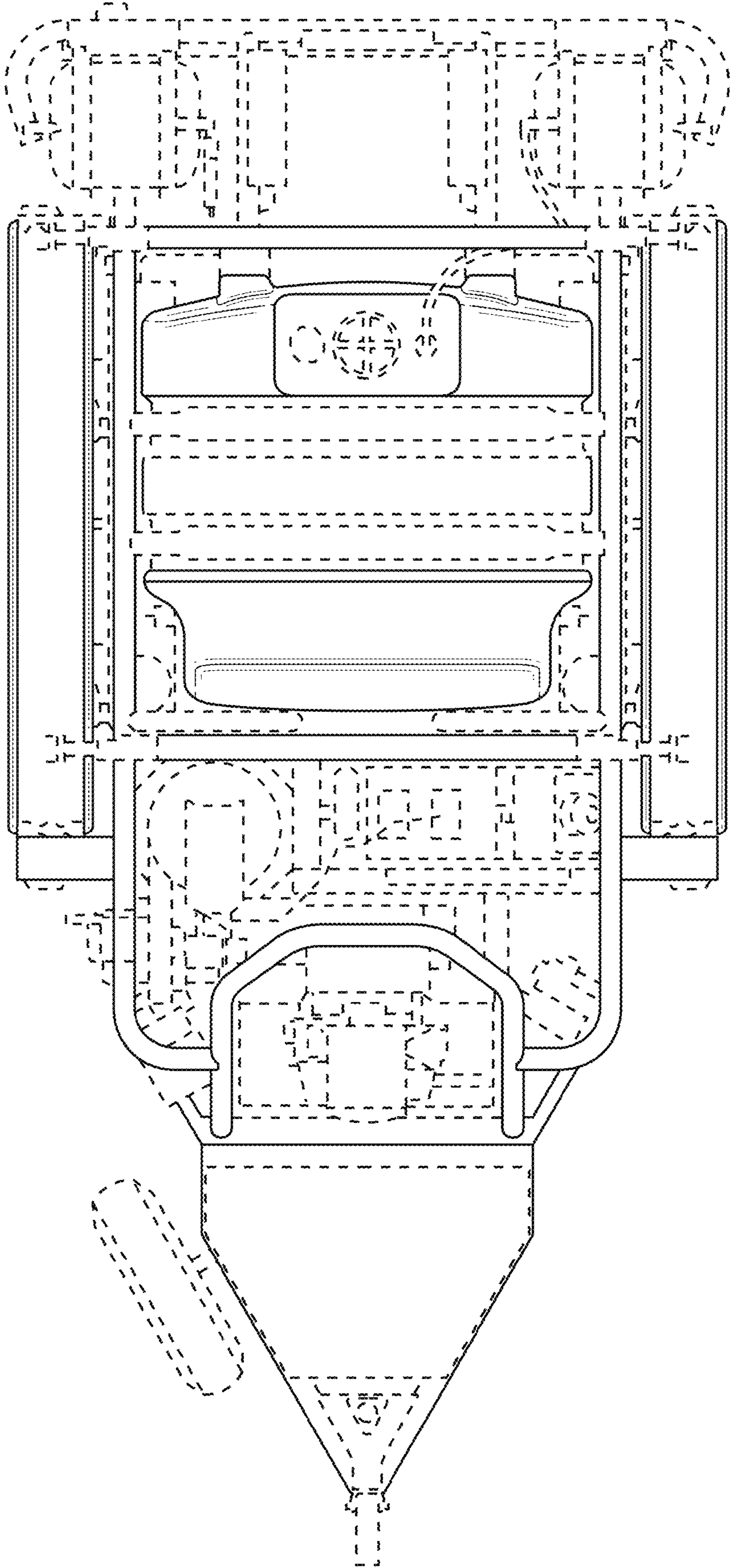


FIG. 7

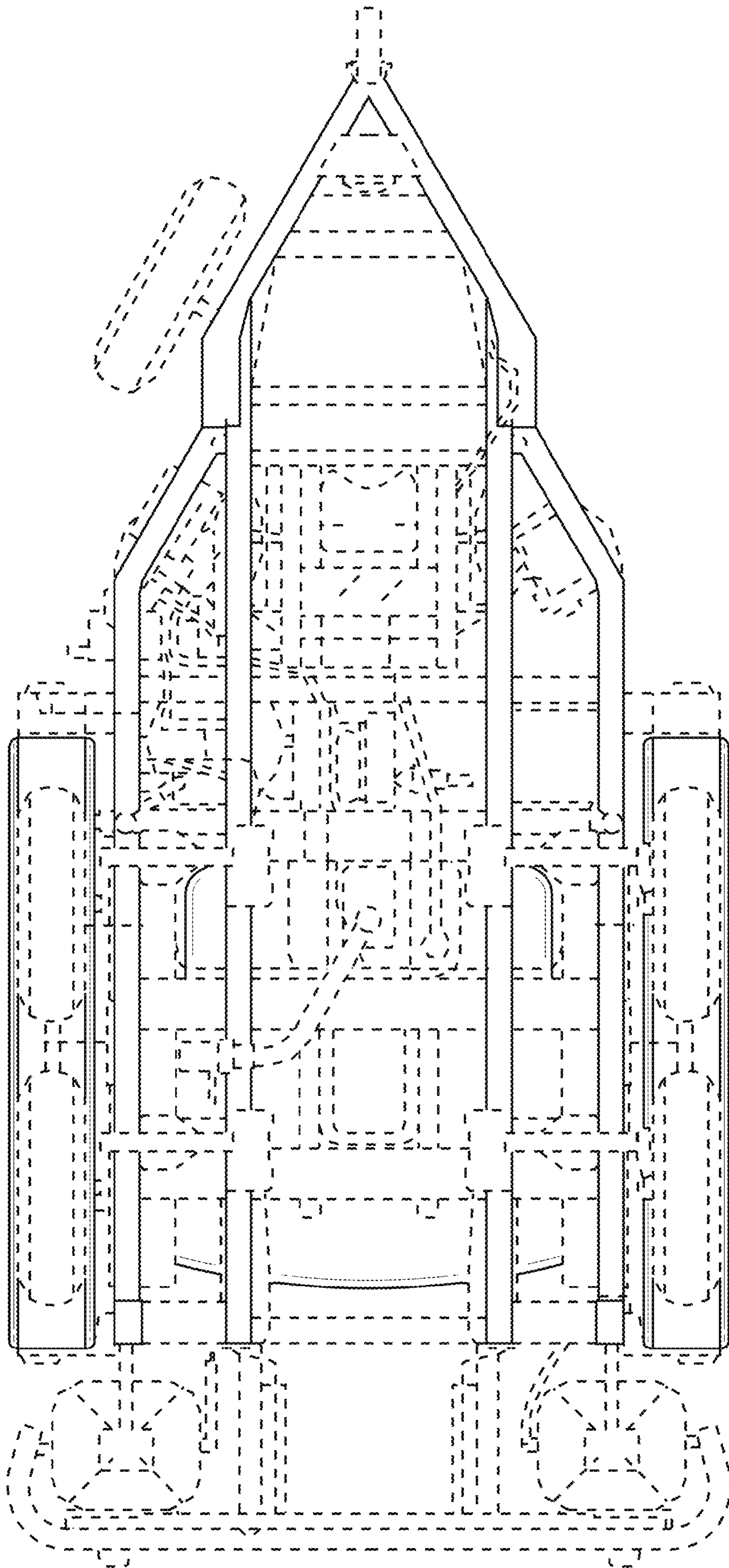


FIG. 8