



US00D910941S

(12) **United States Design Patent** (10) **Patent No.:** **US D910,941 S**
McIntyre, II et al. (45) **Date of Patent:** **** Feb. 16, 2021**

(54) **EQUIPMENT COWLING**
(71) Applicant: **Maverick Surface Preparations, LLC**,
New Iberia, LA (US)

(72) Inventors: **Ted Lee McIntyre, II**, New Iberia, LA
(US); **Keefe Jude Duhon**, New Iberia,
LA (US)

(73) Assignee: **Maverick Surface Preparations, LLC**,
New Iberia, LA (US)

(**) Term: **15 Years**

(21) Appl. No.: **29/676,362**

(22) Filed: **Jan. 10, 2019**

(51) **LOC (13) Cl.** **15-05**

(52) **U.S. Cl.**
USPC **D32/15**

(58) **Field of Classification Search**
USPC D32/2-3, 5-7, 12-13, 15-16, 25-29
CPC A47L 15/42; A47L 15/00; B65D 47/06;
D06F 23/06; D06F 37/26
See application file for complete search history.

(56) **References Cited**

U.S. PATENT DOCUMENTS

D332,158 S *	12/1992	Bothun	D32/15
D338,292 S *	8/1993	Schmitz	D32/21
D365,423 S *	12/1995	Bores	D32/16
D382,383 S *	8/1997	Knowlton	D32/16
D391,699 S *	3/1998	Creecy	D32/16
D525,000 S *	7/2006	Williams	D32/15
D536,146 S *	1/2007	Pedlar	D32/16
D536,844 S *	2/2007	Pedlar	D32/16
D536,846 S *	2/2007	Pedlar	D32/16
D549,405 S *	8/2007	Dammkoehler	D32/16
D569,057 S *	5/2008	Goff	D32/16
D571,512 S *	6/2008	Dammkoehler	D32/15
D661,853 S *	6/2012	Dammkoehler	D32/16

D694,969 S *	12/2013	Dammkoehler	D32/16
D734,573 S *	7/2015	Dammkoehler	D32/16
D756,576 S *	5/2016	Wang	D32/15

(Continued)

FOREIGN PATENT DOCUMENTS

CN 304588893 * 4/2018

OTHER PUBLICATIONS

Floor Care Machines | Global Industrial website 2020, https://www.globalindustrial.com/...r-20-cleaning-path-corded?infoParam.campaignId=T9F&gclid=EA1a1QobChM1-uq35_fx6QIVg-DIC404MQ3wEAQYAiABEgJYYvD_BwE, site visited Jun. 8, 2020.*
(Continued)

Primary Examiner — John R Yeh

(74) *Attorney, Agent, or Firm* — Young Basile Hanlon & MacFarlane, P.C.

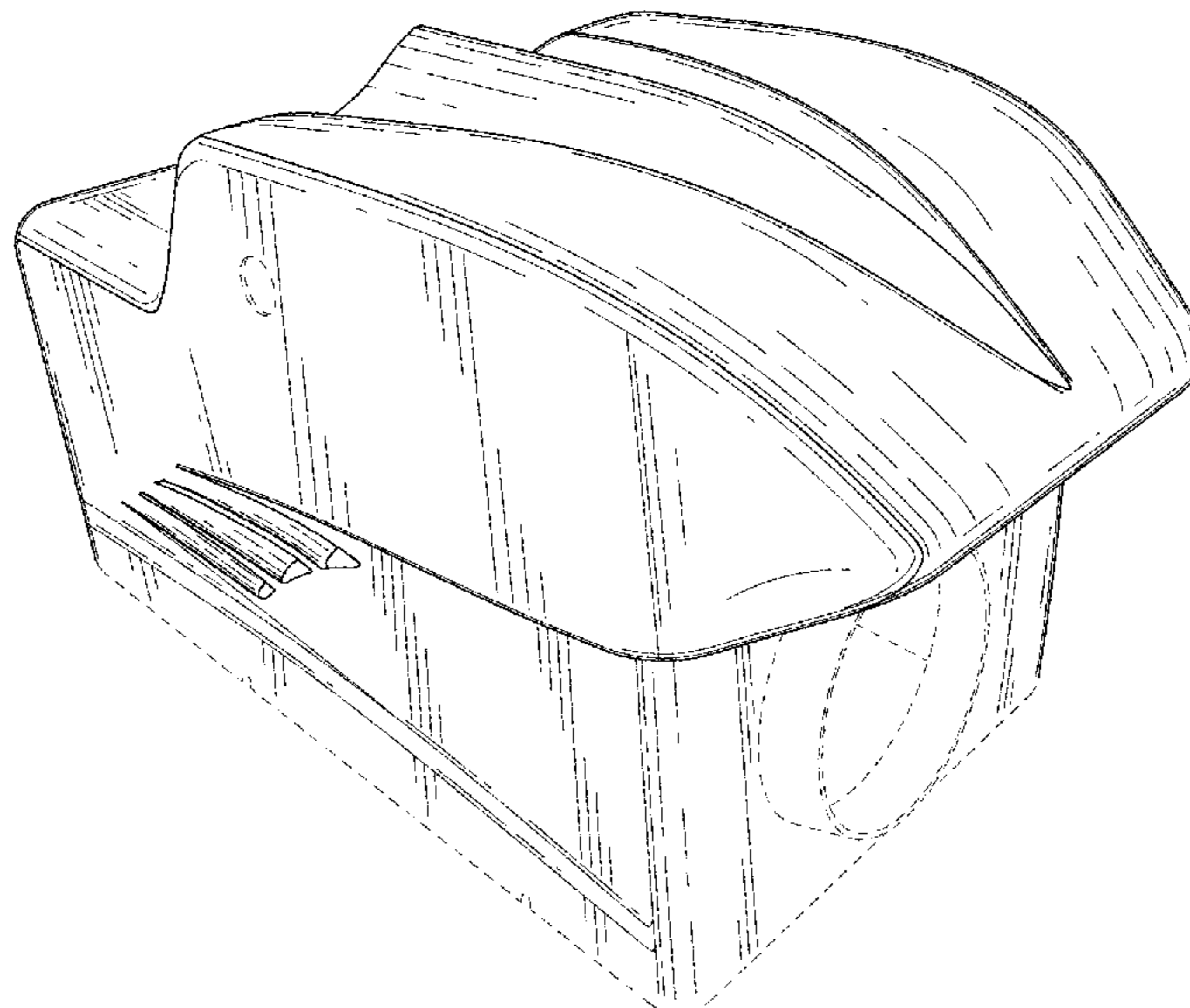
(57) **CLAIM**

The design for an equipment cowling, as shown and described.

DESCRIPTION

FIG. 1 is a front, left perspective view for an equipment cowling showing our new design;
FIG. 2 is a rear, left perspective view thereof;
FIG. 3 is a front perspective view thereof;
FIG. 4 is a rear perspective view thereof;
FIG. 5 is a right side perspective view thereof;
FIG. 6 is a left side perspective view thereof;
FIG. 7 is a cutaway elevated rear perspective view thereof;
FIG. 8 is an elevated front perspective view thereof;
FIG. 9 is a rear, bottom perspective view thereof; and,
FIG. 10 is a cutaway front, bottom perspective view thereof.
The dot-dash lines in FIGS. 7 and 10 illustrate cutaway symbols that form no part of the claimed design. All other broken lines illustrate portions of the equipment cowling that form no part of the claimed design.

1 Claim, 10 Drawing Sheets



(56)

References Cited

U.S. PATENT DOCUMENTS

D783,910 S * 4/2017 Casalgrandi D32/15
D785,254 S * 4/2017 Dammkoehler D32/16
2008/0276414 A1* 11/2008 Wood A46B 13/001
15/383
2014/0144467 A1* 5/2014 Merz A47L 11/302
134/6

OTHER PUBLICATIONS

Maverick Surface Preparations, "Gladiator—25'", Description, Technical Specifications, Accessories, www.mavericksurfacepreparations.com, Downloaded Dec. 13, 2018, on sale by Maverick Surface Preparations LLC in the year 2016 (3 pp).

Maverick Surface Preparations, Photographs of Gladiator/Reaper unit cover, on sale by Maverick Surface Preparations LLC in the year 2016 (5 pp).

* cited by examiner

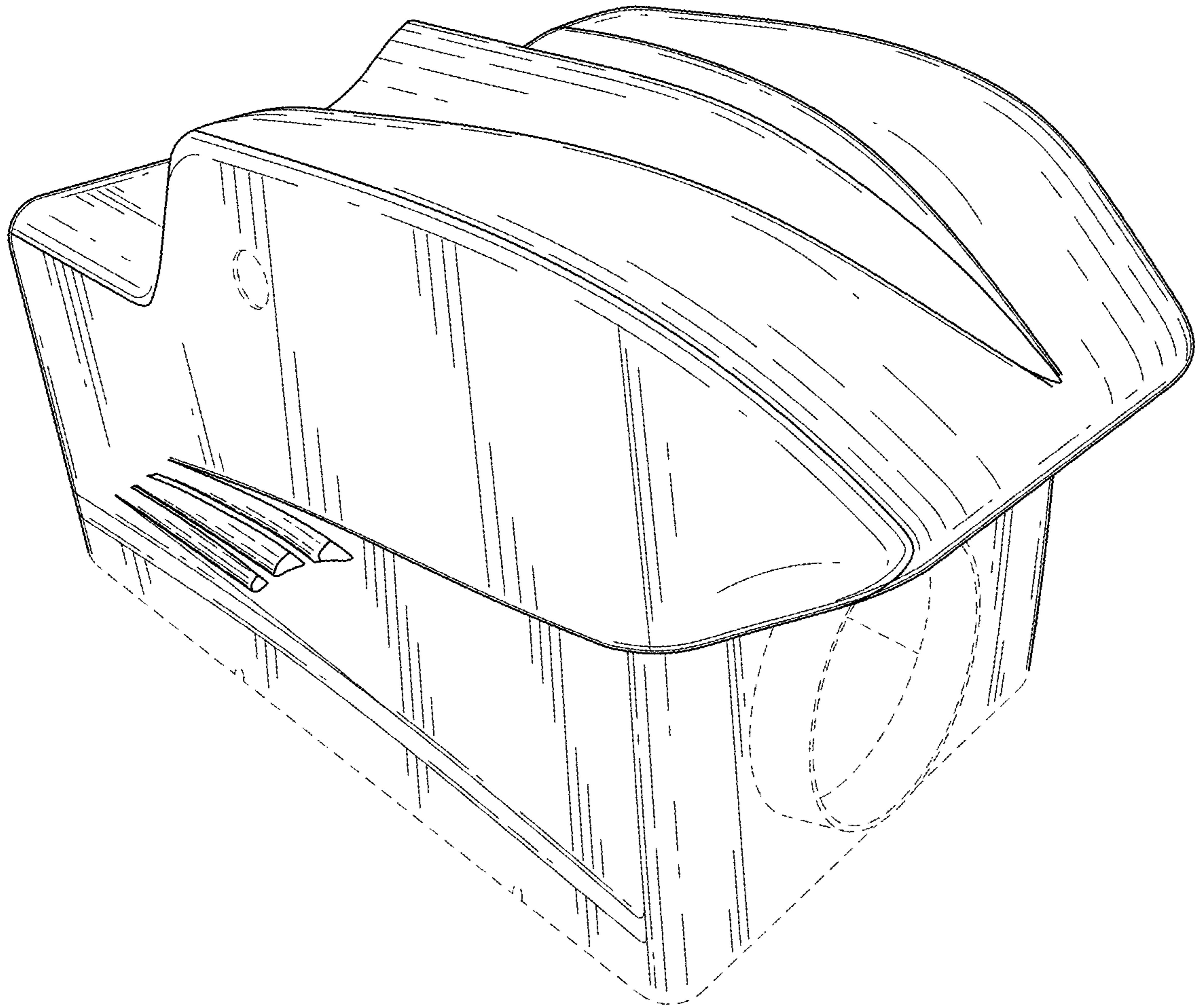


FIG. 1

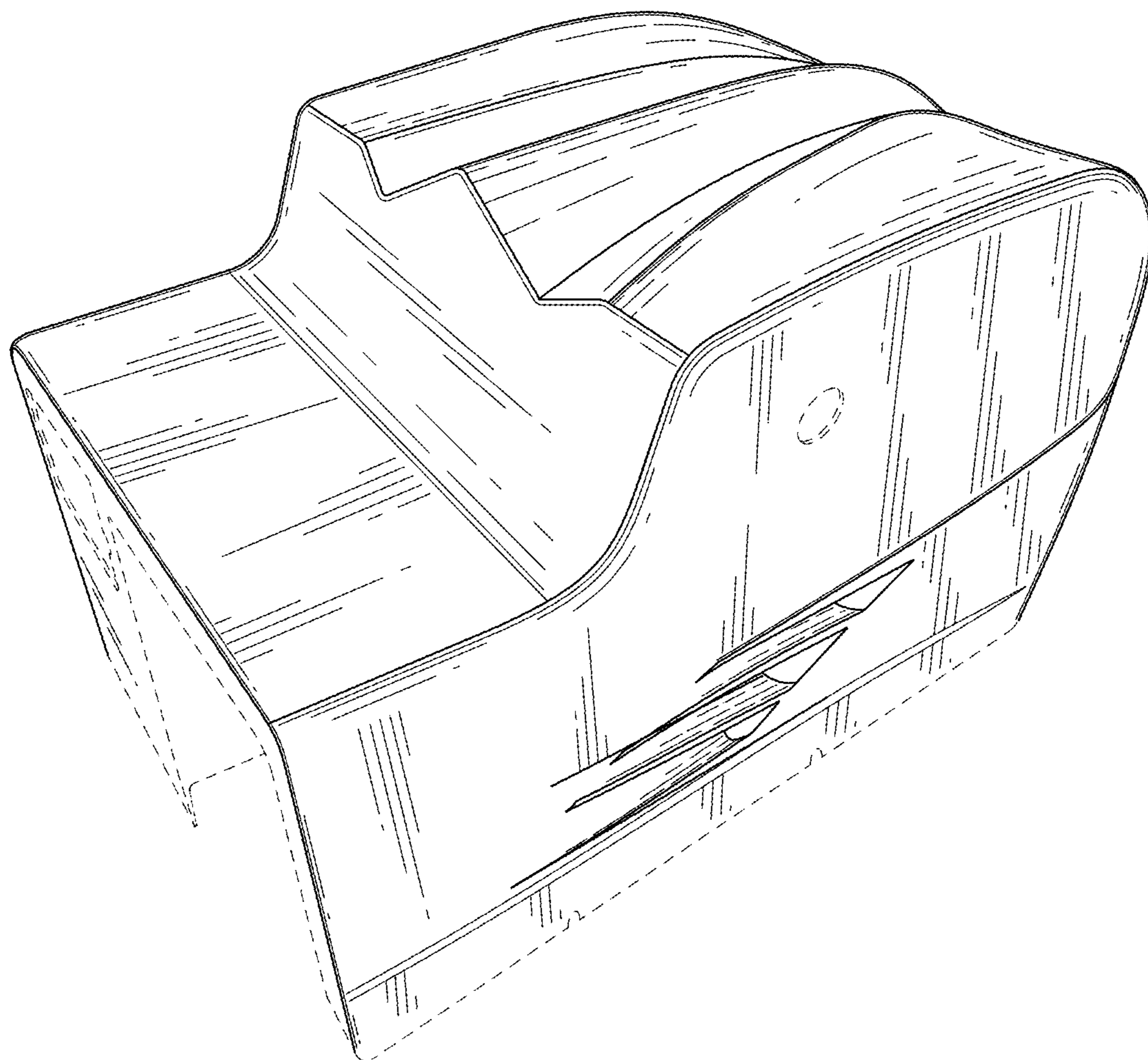


FIG. 2

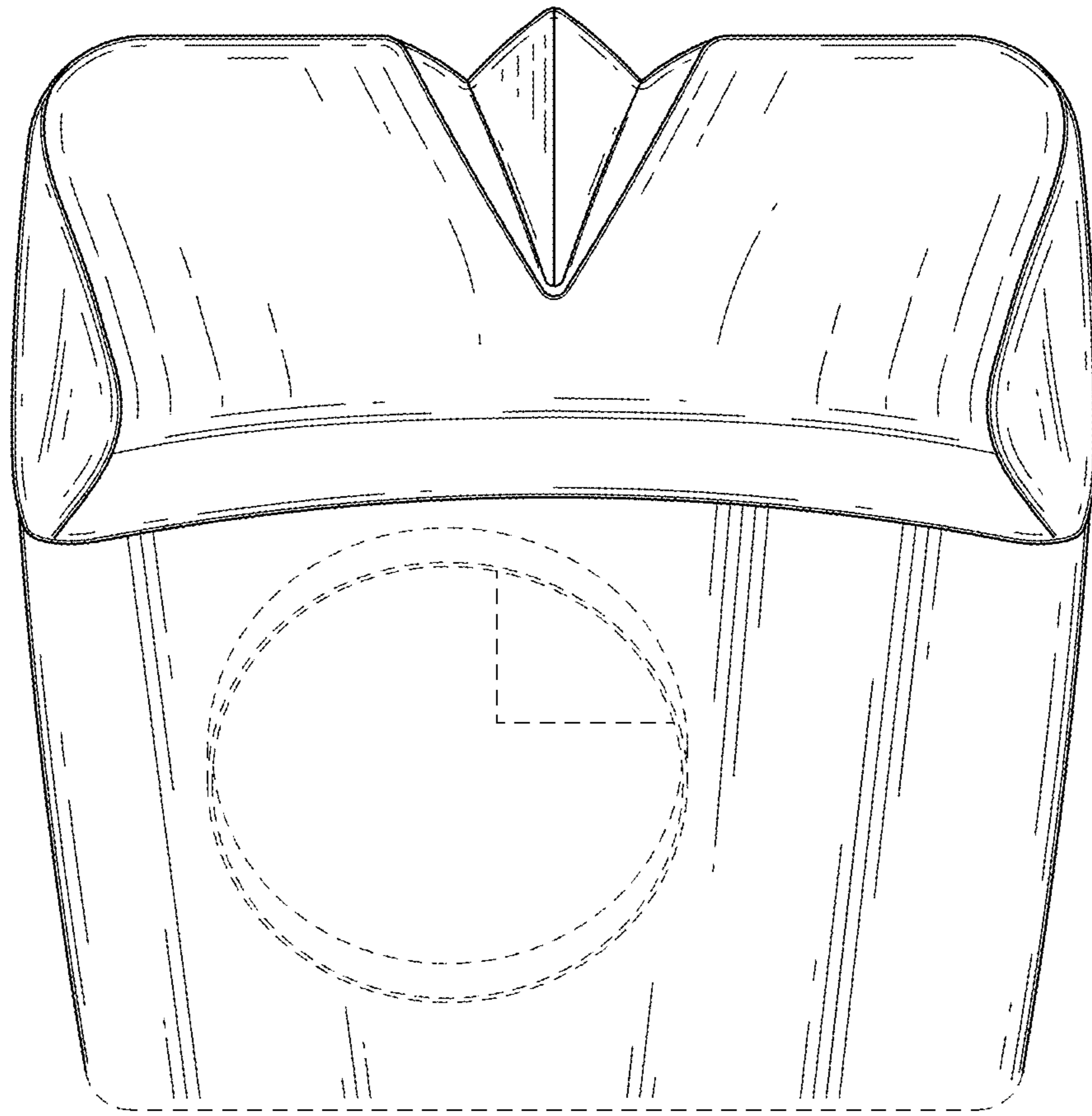


FIG. 3

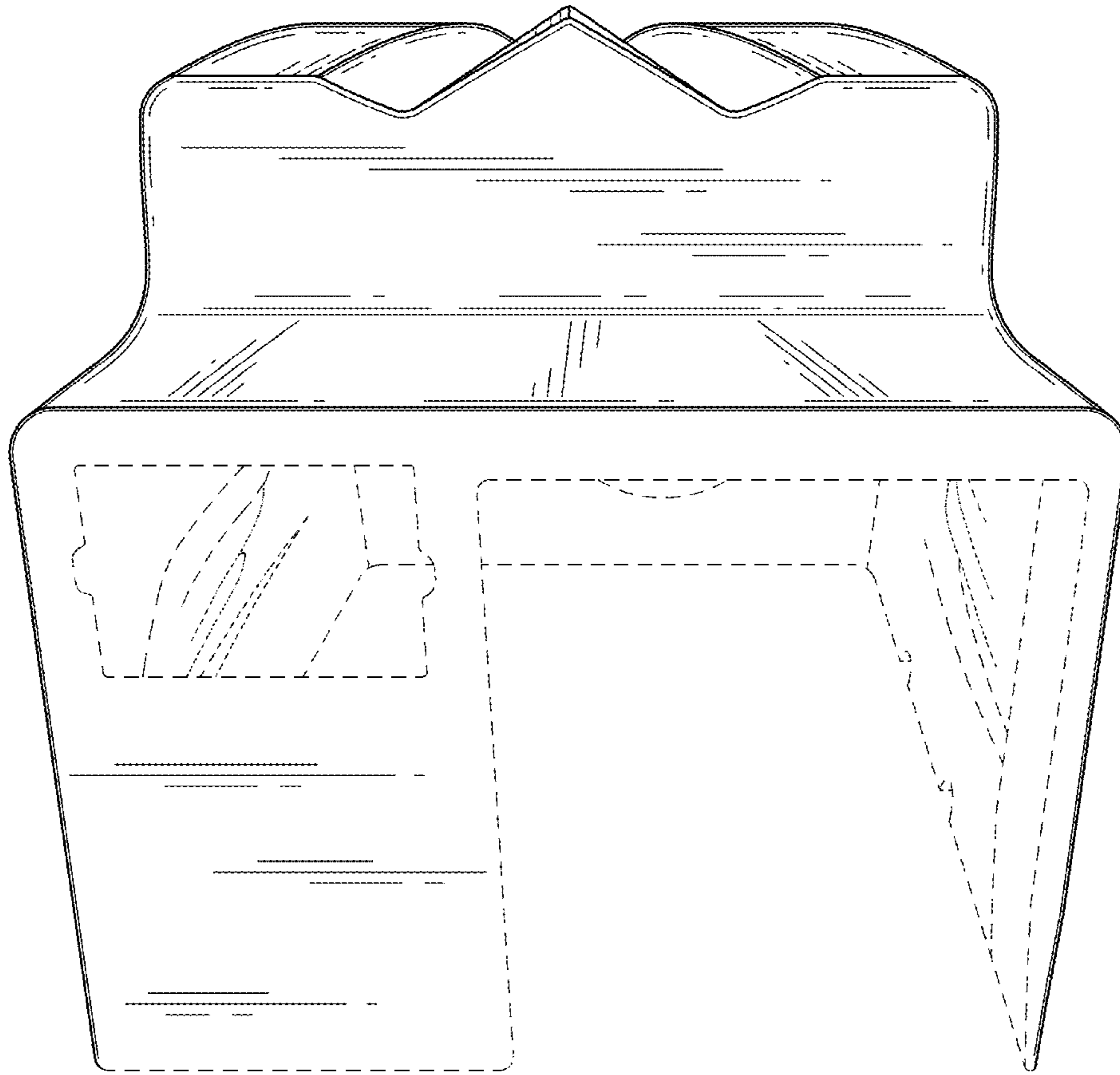


FIG. 4

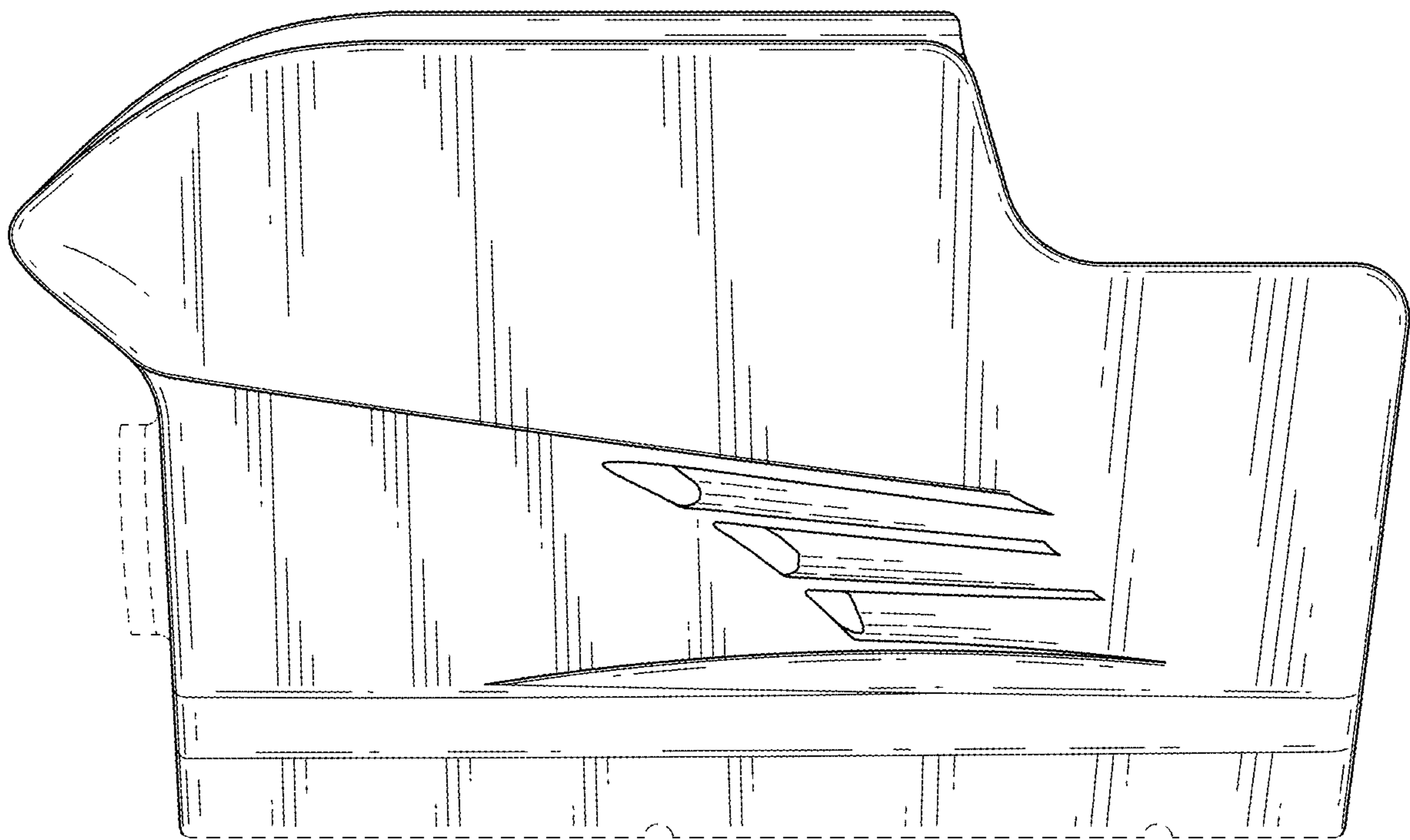


FIG. 5

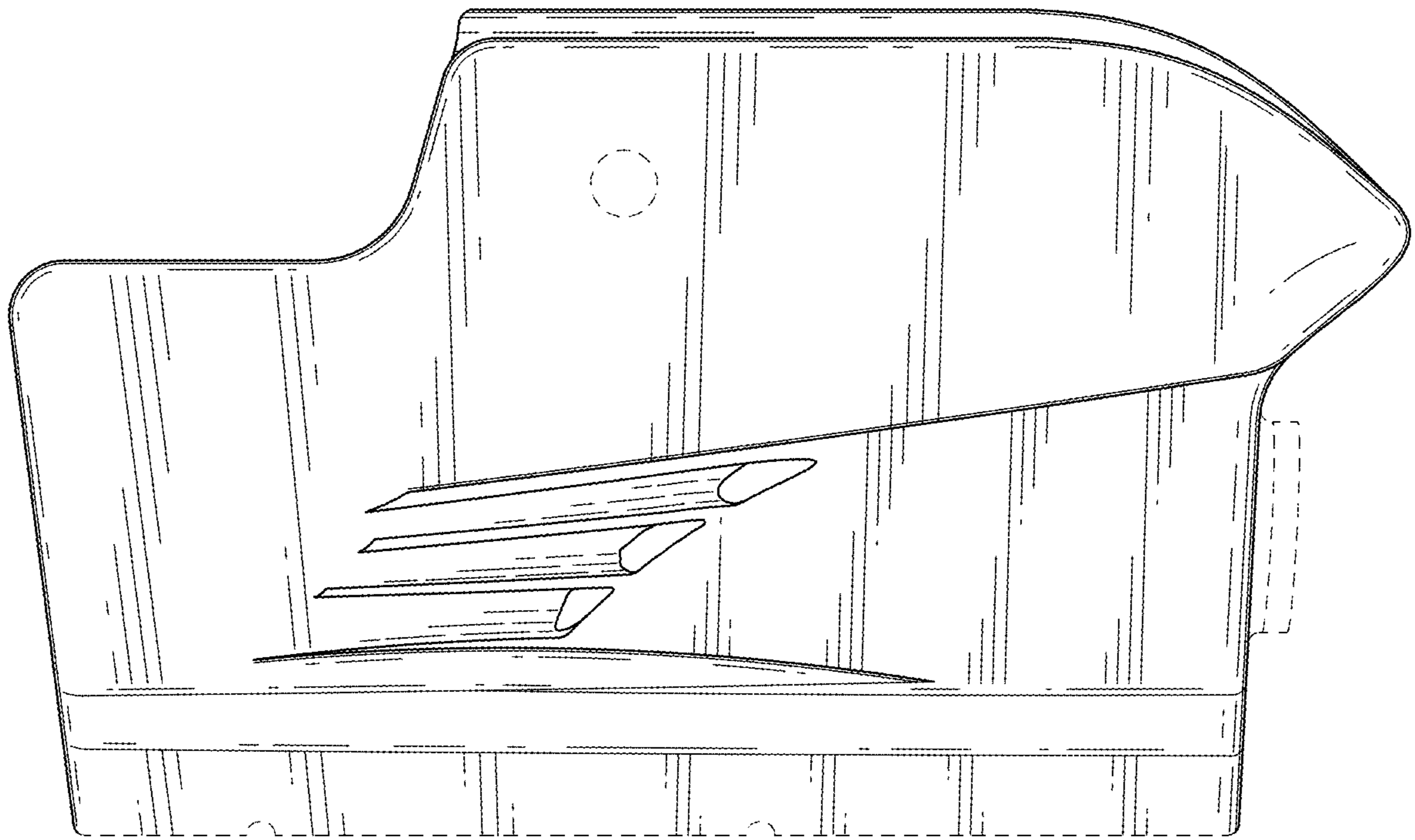


FIG. 6

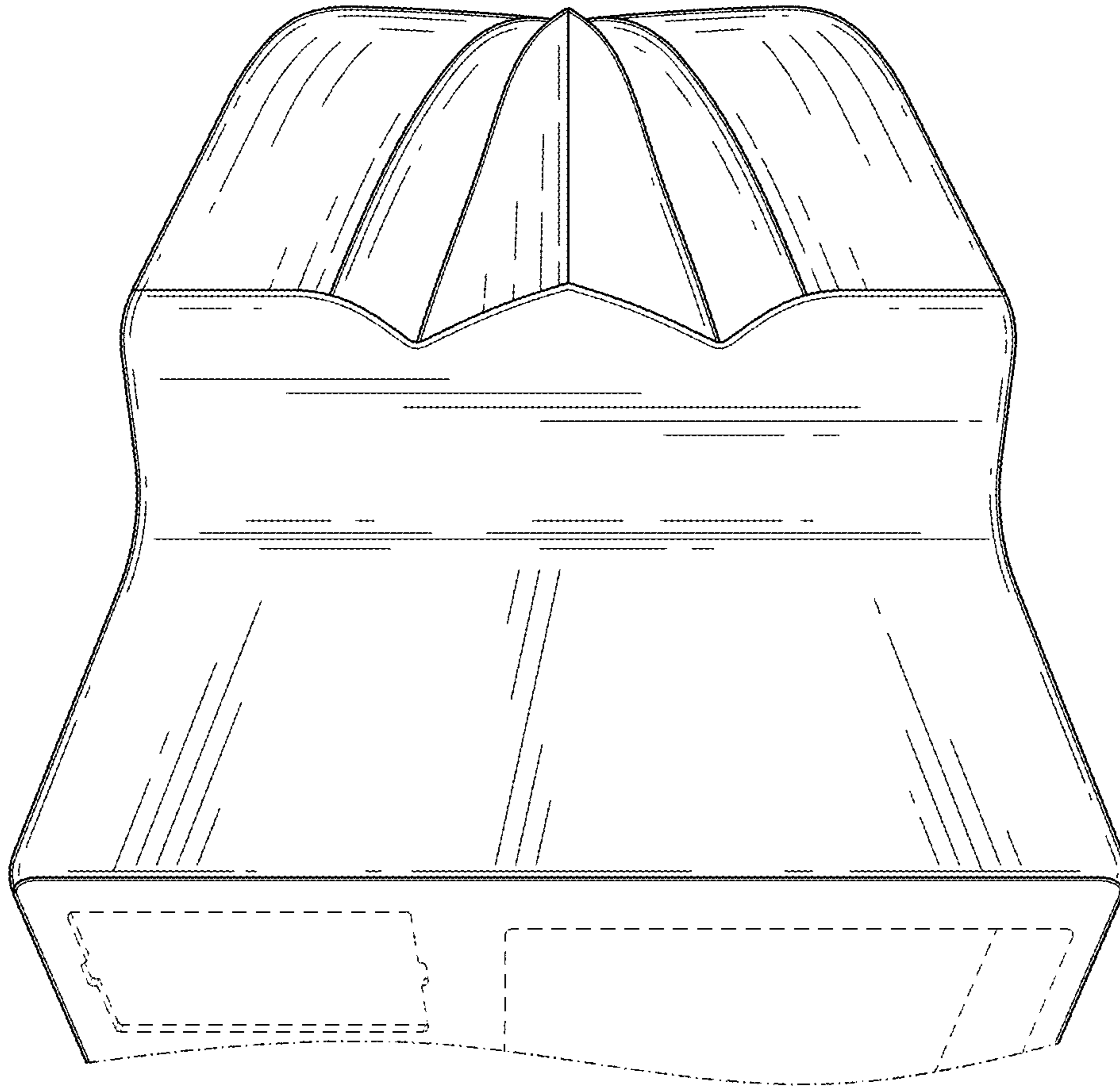


FIG. 7

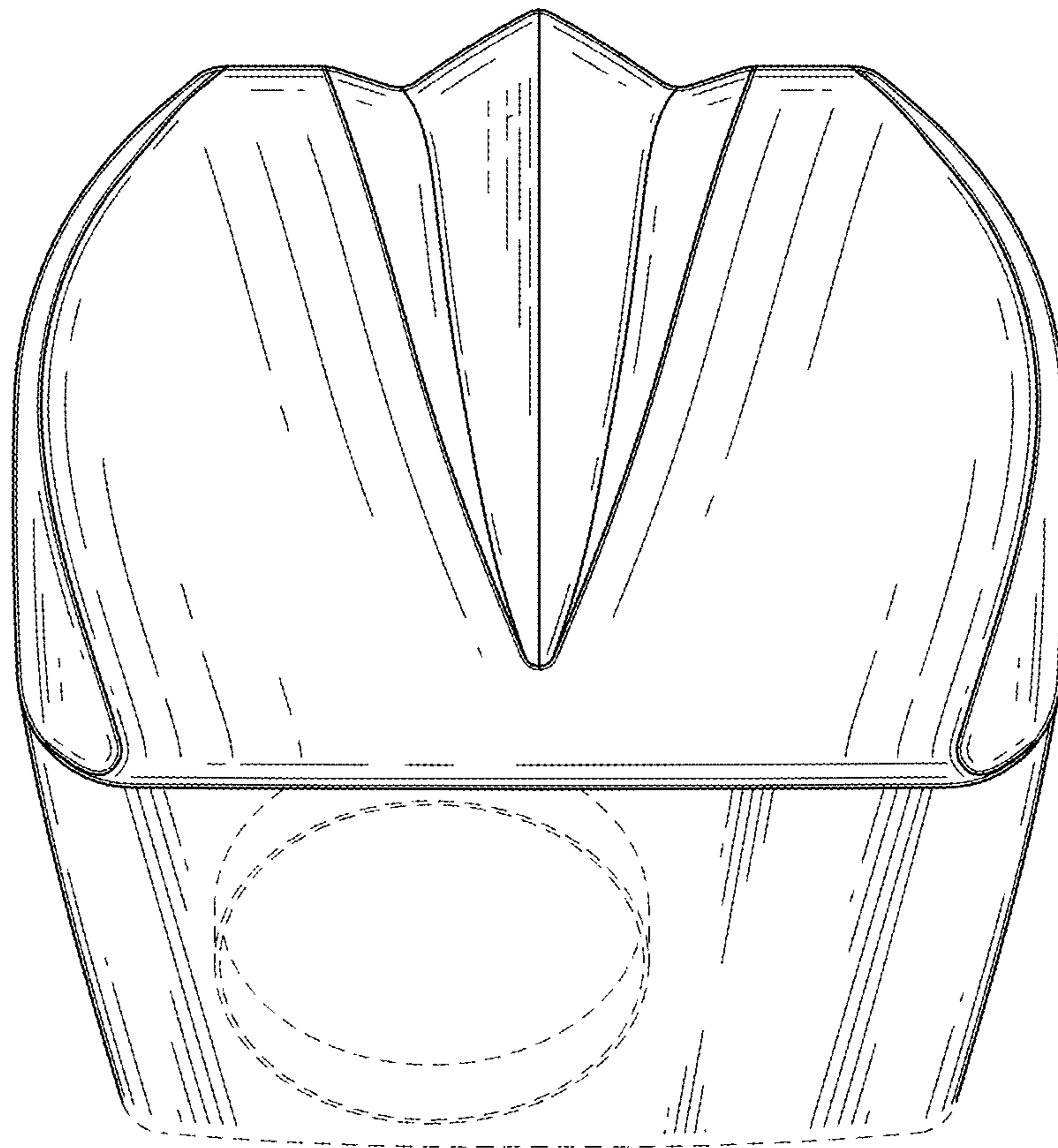


FIG. 8

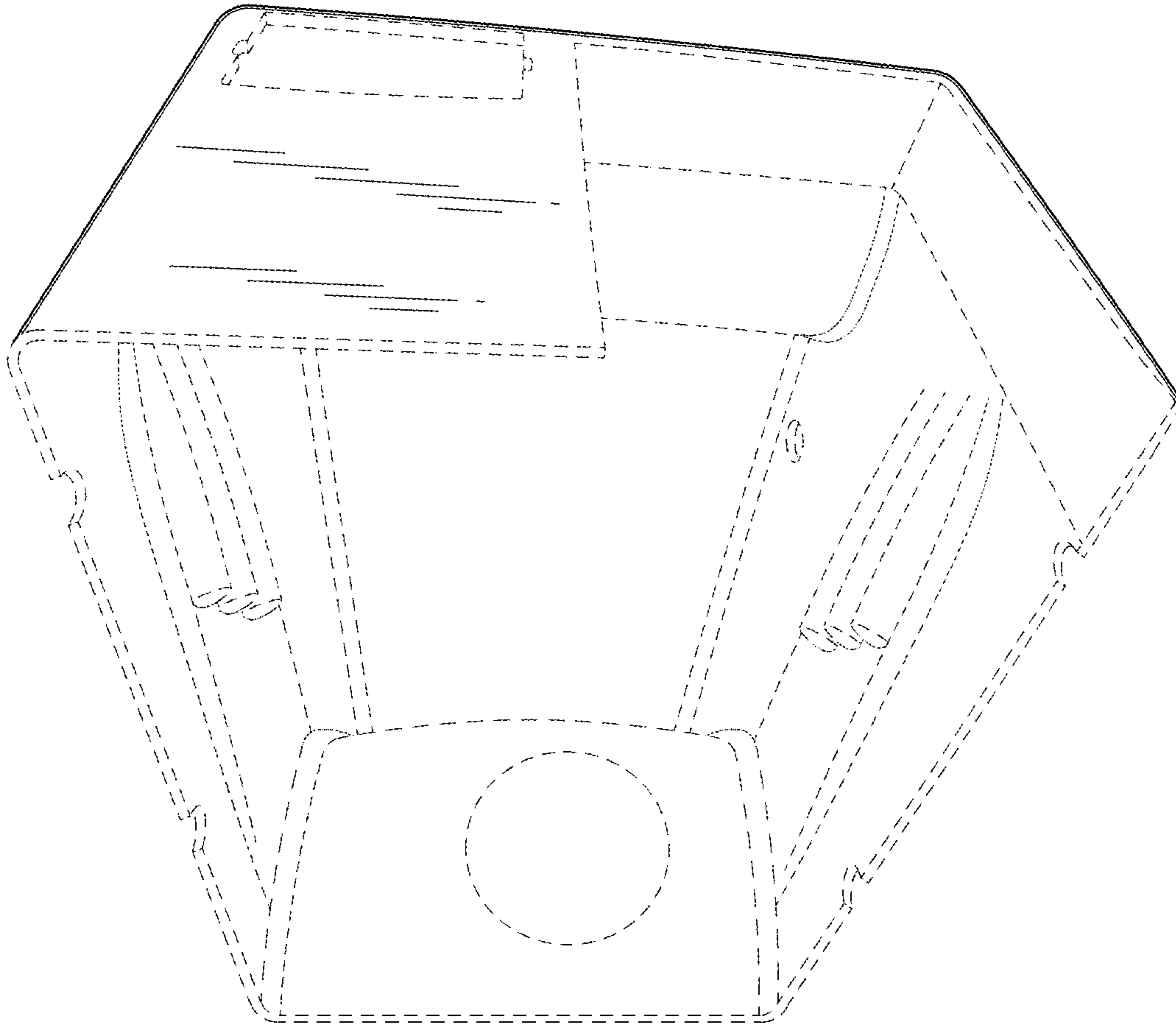


FIG. 9

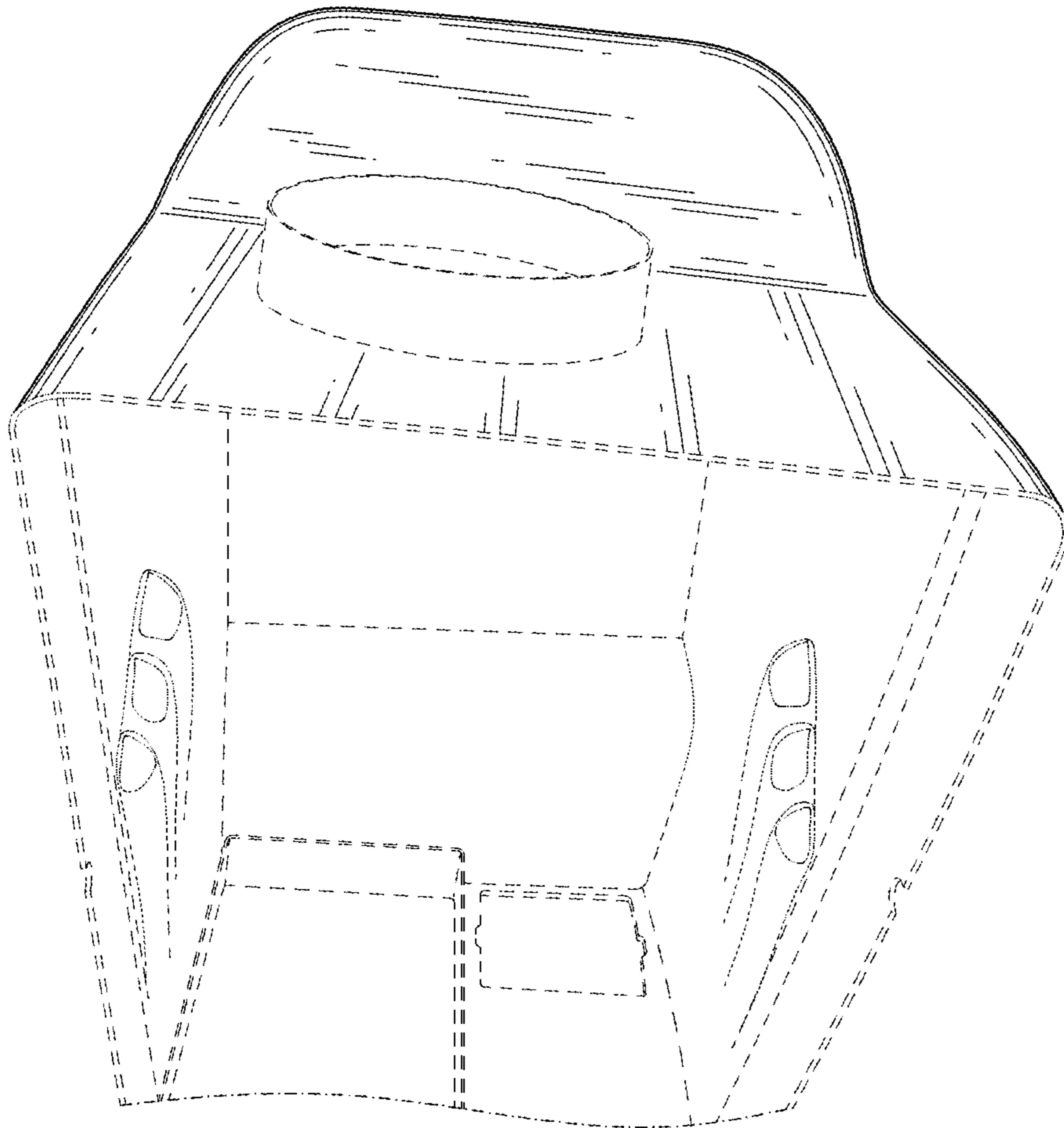


FIG. 10