



US00D910939S

(12) **United States Design Patent**
Nam et al.

(10) **Patent No.: US D910,939 S**
(45) **Date of Patent: ** Feb. 16, 2021**

(54) **NOZZLE FOR DISHWASHER**

(71) Applicant: **LG ELECTRONICS INC.**, Seoul (KR)

(72) Inventors: **Bohyun Nam**, Seoul (KR); **Wonjun Lee**, Seoul (KR); **Seonil Yu**, Seoul (KR); **Kyutae Park**, Seoul (KR); **Jungkyu Son**, Seoul (KR)

(73) Assignee: **LG ELECTRONICS INC.**, Seoul (KR)

(**) Term: **15 Years**

(21) Appl. No.: **35/508,122**

(22) Filed: **Mar. 13, 2019**

(80) **Hague Agreement Data**

Int. Filing Date: **Mar. 13, 2019**
Int. Reg. No.: **DM/204621**
Int. Reg. Date: **Mar. 13, 2019**
Int. Reg. Pub. Date: **Dec. 13, 2019**

(30) **Foreign Application Priority Data**

Sep. 17, 2018 (KR) 30-2018-0043497

(51) **LOC (13) Cl.** **15-05**

(52) **U.S. Cl.**
USPC **D32/3**

(58) **Field of Classification Search**

USPC D32/1, 3, 5, 6, 8, 10, 25, 28, 29, 29.1
CPC D06F 33/02; D06F 37/22; D06F 39/02;
D06F 2058/2864; D06F 2058/287; D06F
2204/086; D06F 35/006; D06F 37/265;
D06F 37/268; D06F 58/206; D06F 58/28;
D06F 13/00; D06F 13/02; D06F 17/06;
D06F 17/10; D06F 2202/085; D06F
2202/10; D06F 2202/12; D06F 2204/04;
D06F 2204/065; D06F 2204/082; D06F
2222/00; D06F 23/04; D06F 25/00; D06F
29/005; D06F 37/02; D06F 37/04; D06F

37/14; D06F 37/203; D06F 37/206; D06F
37/225; D06F 37/24; D06F 37/267; D06F
37/28; D06F 37/36; D06F 37/40; D06F
39/005; D06F 39/006; D06F 39/007;
D06F 39/024; D06F 39/12; D06F 39/14;
D06F 58/20; A47L 15/507; A47L
15/4225; A47L 15/23; A47L 15/4285;
A47L 15/502; A47L 15/0007; A47L
15/22; A47L 15/42; A47L 15/4214; A47L
15/4219; A47L 15/4221; A47L 15/4259;
A47L 15/4261; A47L 15/4287; A47L
15/4293; A47L 11/22; A47L 15/0005;
A47L 15/001; A47L 15/0049; A47L
15/06; A47L 15/16; A47L

(Continued)

(56) **References Cited**

U.S. PATENT DOCUMENTS

D314,255 S * 1/1991 Brito D32/3
D461,284 S * 8/2002 Hegeman D32/3
(Continued)

Primary Examiner — Khawaja Anwar

(74) *Attorney, Agent, or Firm* — Birch, Stewart, Kolasch & Birch, LLP

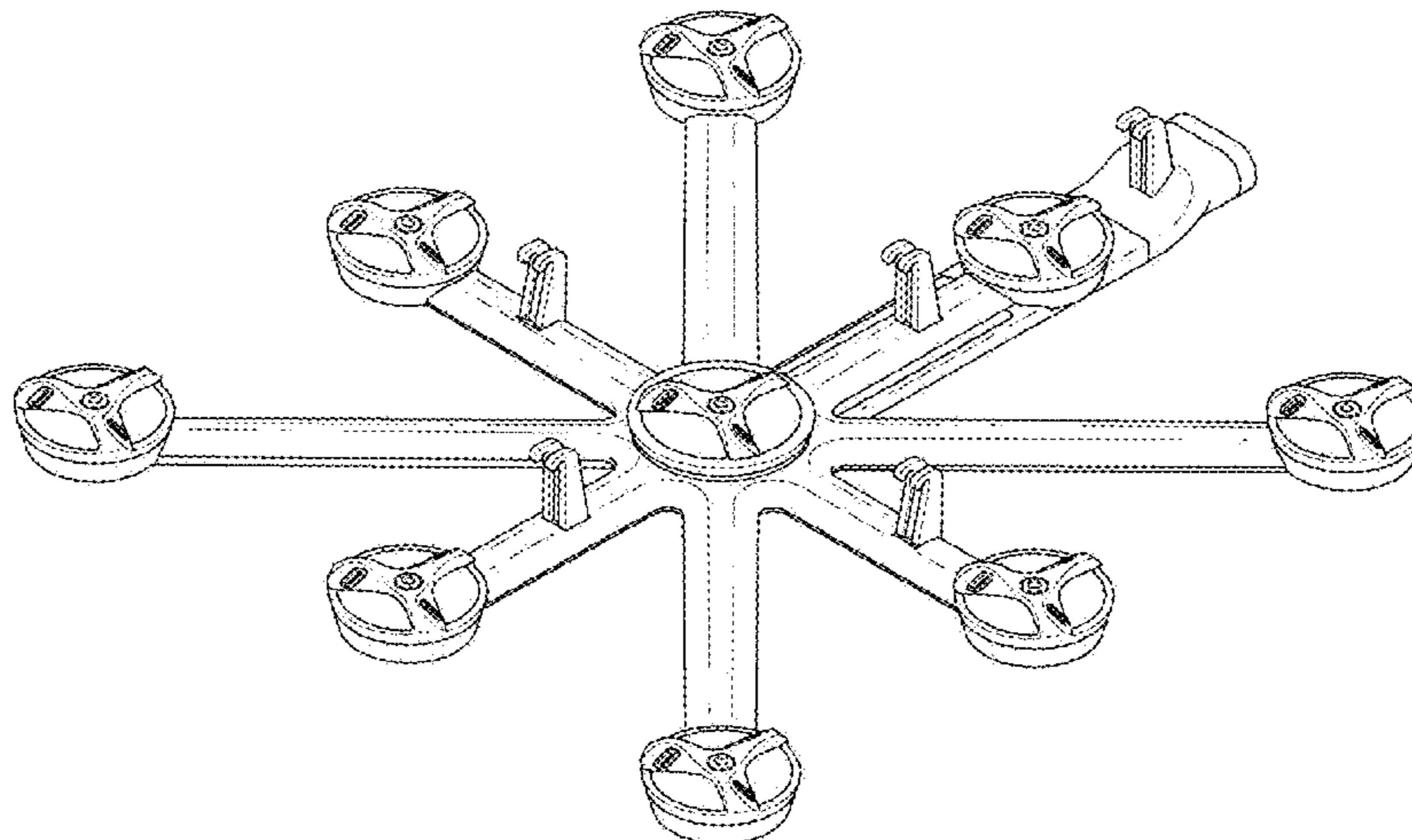
(57) **CLAIM**

The ornamental design for nozzle for dishwasher, as shown and described.

DESCRIPTION

- 1. Nozzle for dishwasher
- 1.1 : Perspective
- 1.2 : Front
- 1.3 : Back
- 1.4 : Left
- 1.5 : Right
- 1.6 : Top
- 1.7 : Bottom
- 1.8 : Reference

(Continued)



Reproduction 1.8 is a reference view showing the state in use and forms no part of the claimed design.

A47L 9/0472; A47L 9/0488; A47L 9/0686; A47L 9/104

See application file for complete search history.

1 Claim, 8 Drawing Sheets

(56)

References Cited

U.S. PATENT DOCUMENTS

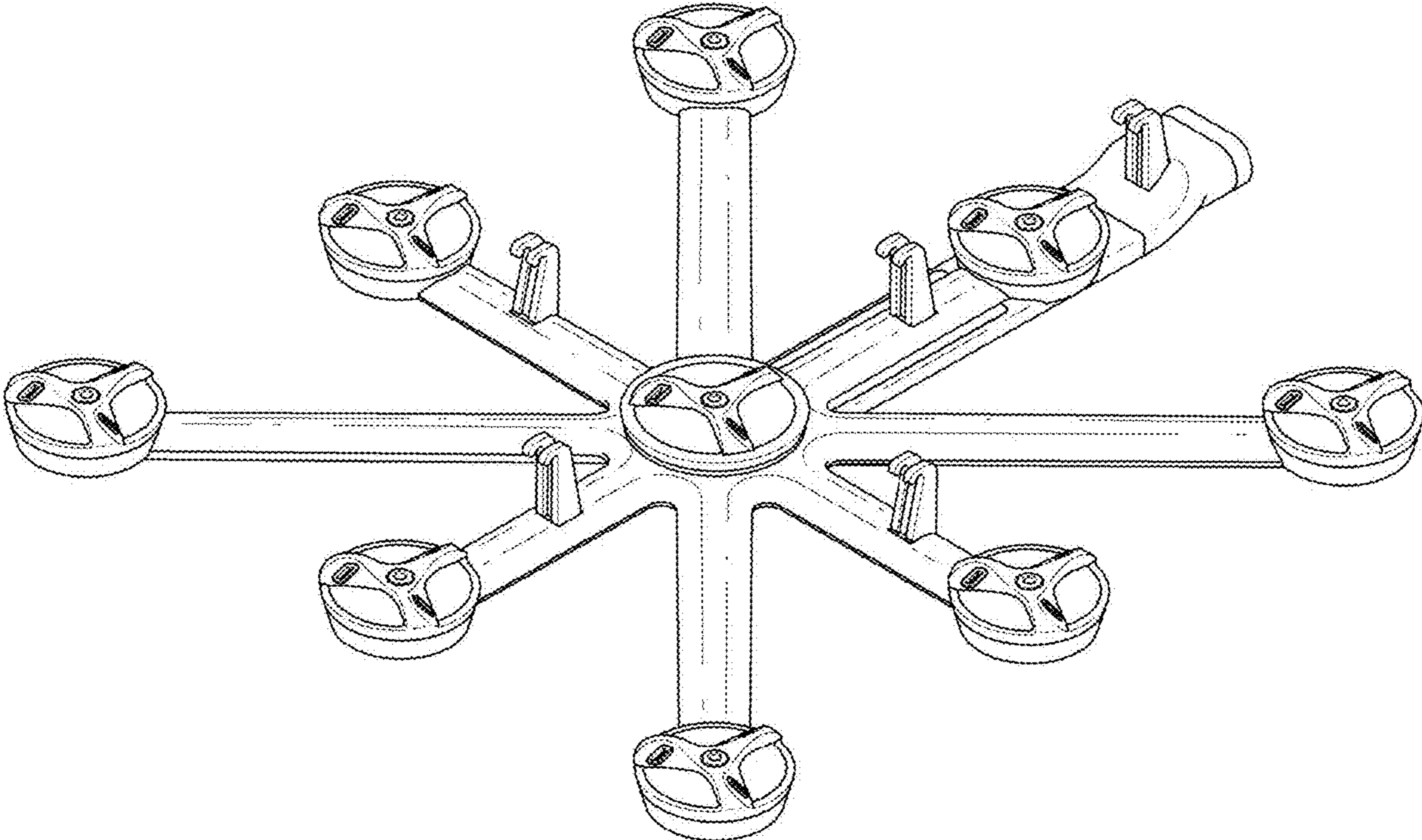
(58) Field of Classification Search

CPC 15/4202; A47L 15/4209; A47L 15/4217; A47L 15/4223; A47L 15/4227; A47L 15/4234; A47L 15/4244; A47L 15/4257; A47L 15/4263; A47L 15/4265; A47L 15/4272; A47L 15/4282; A47L 15/4297; A47L 15/4463; A47L 15/46; A47L 15/483; A47L 15/486; A47L 15/488; A47L 15/504; A47L 2401/14; A47L 2401/26; A47L 2501/01; A47L 2501/06; A47L 2501/14; A47L 2501/22; A47L 5/225; A47L 5/30; A47L 5/362; A47L 7/0014; A47L 9/009; A47L 9/0411; A47L 9/0422; A47L 9/0433; A47L 9/0444;

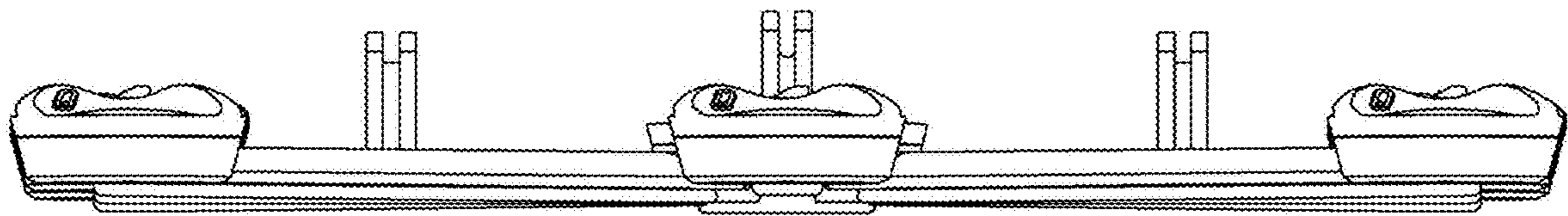
6,869,029 B2 * 3/2005 Ochoa, Sr. A47L 15/508 134/176
D748,351 S * 1/2016 Baldwin D32/3
D761,500 S * 7/2016 Feddema D32/3
D776,372 S * 1/2017 Haft D32/3
D799,763 S * 10/2017 Haft D32/3
D808,598 S * 1/2018 Baldwin D32/3
D836,262 S * 12/2018 Lee D32/3
D882,890 S * 4/2020 Baldwin D32/3
D900,417 S * 10/2020 Baldwin D32/3
2004/0045586 A1 * 3/2004 Rappette A47L 15/0002 134/10
2004/0159338 A1 * 8/2004 Elick A47L 15/4204 134/25.2
2005/0126607 A1 * 6/2005 Haft A47L 15/44 134/56 D
2010/0043825 A1 * 2/2010 Bertsch A47L 15/4221 134/18
2010/0043826 A1 * 2/2010 Bertsch A47L 15/4221 134/18
2010/0187958 A1 * 7/2010 Colon A47L 15/4209 312/228
2013/0180555 A1 * 7/2013 Lee B05B 3/06 134/181

* cited by examiner

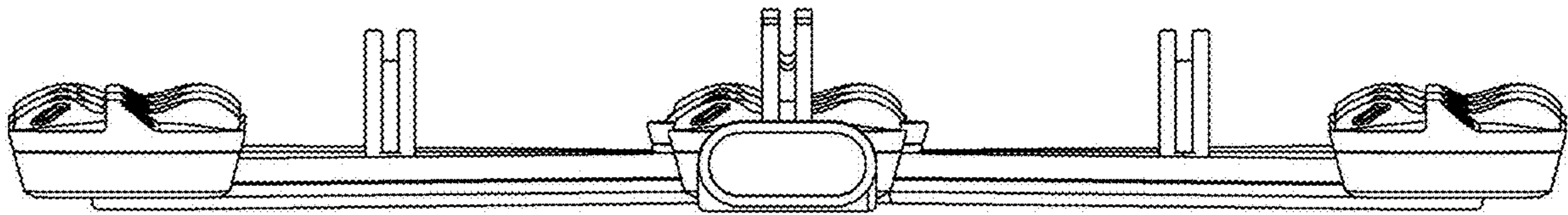
1.1



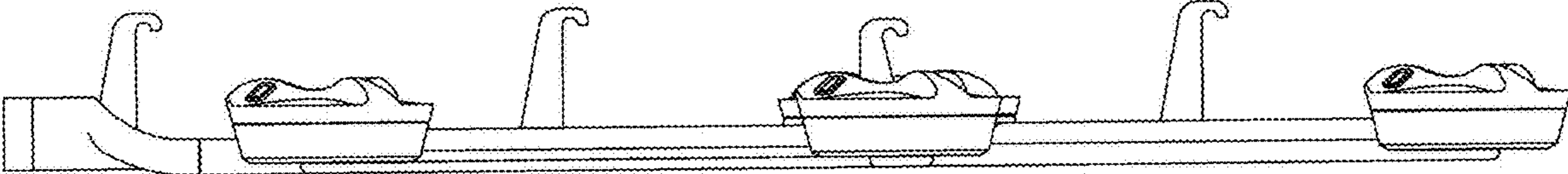
1.2



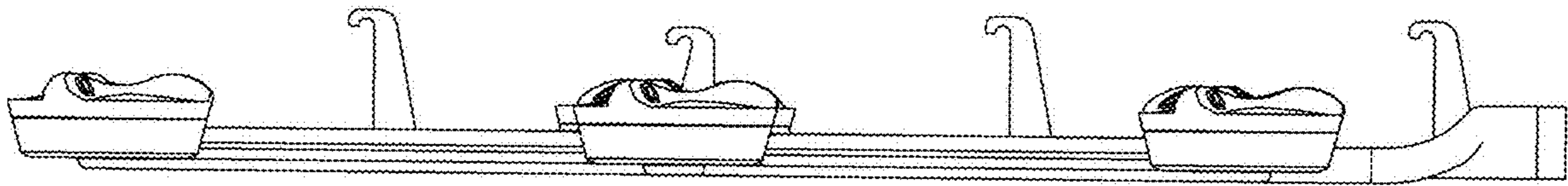
1.3



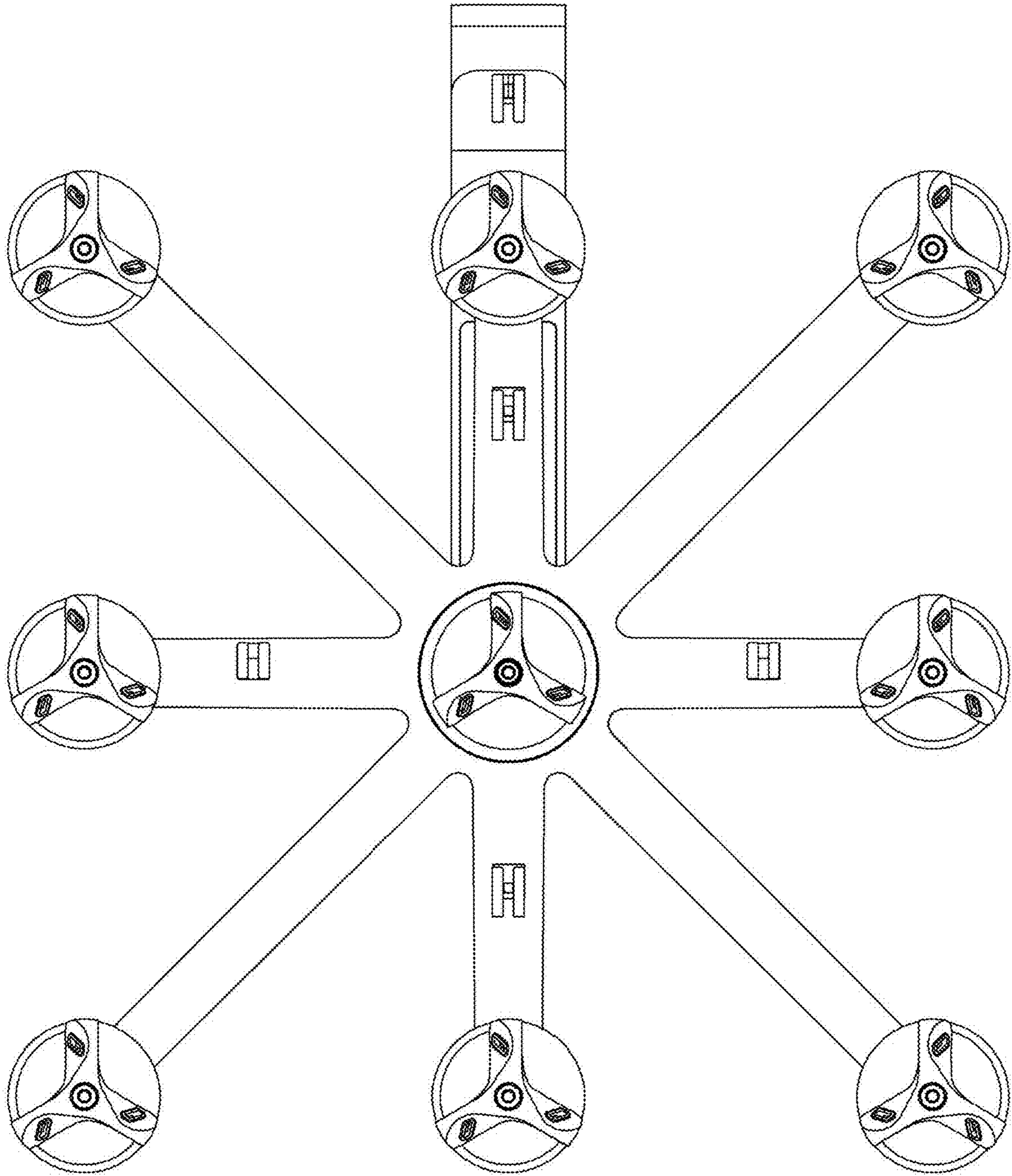
1.4



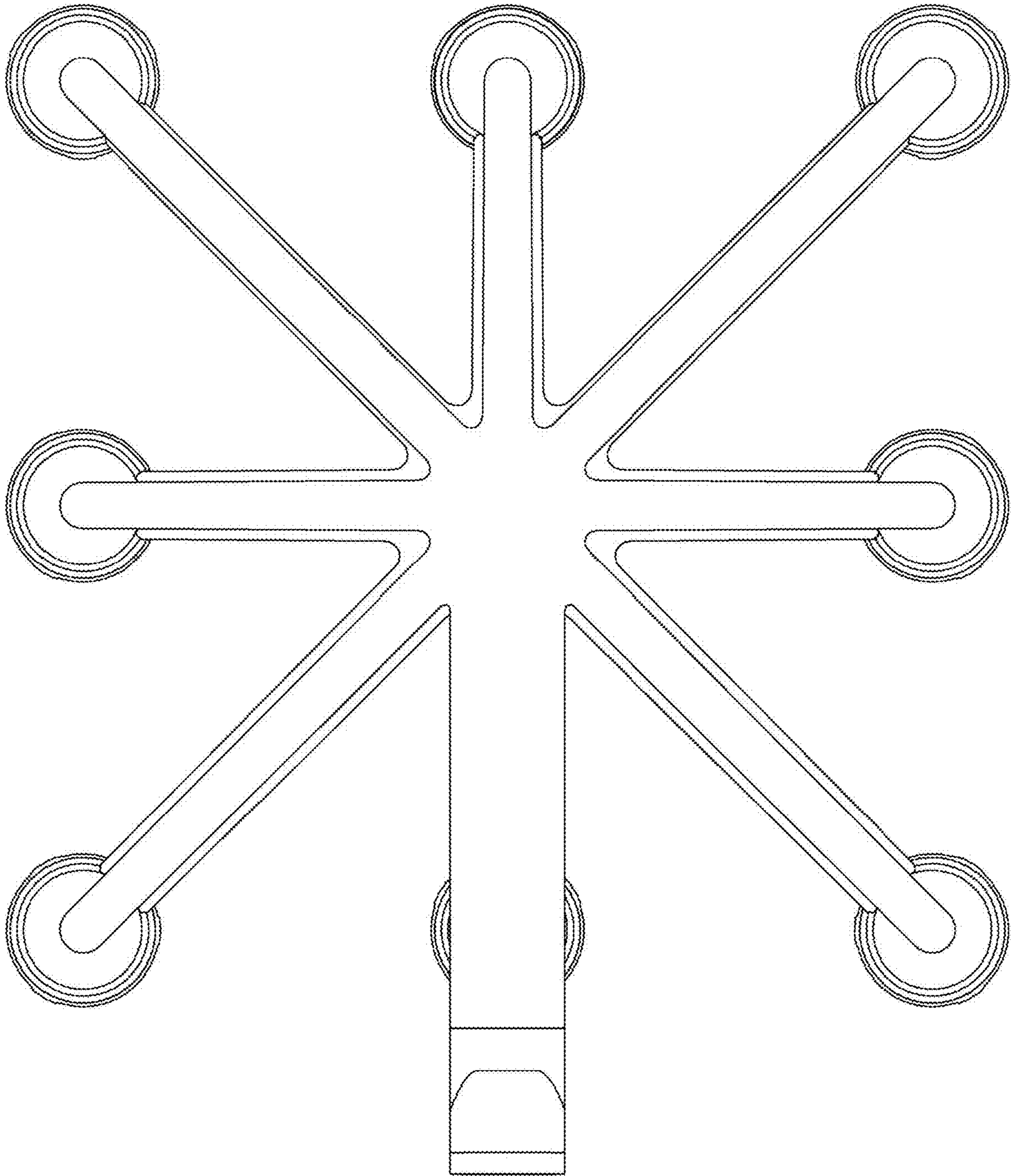
1.5



1.6



1.7



1.8

