



US00D910938S

(12) **United States Design Patent**
Jakubowski et al.

(10) **Patent No.:** **US D910,938 S**

(45) **Date of Patent:** **** Feb. 16, 2021**

(54) **PET RAMP**

(71) Applicant: **Vermont Juvenile Furniture Mfg., Inc.**, West Rutland, VT (US)

(72) Inventors: **Chris Jakubowski**, Rutland, VT (US);
Todd Jakubowski, Rutland, VT (US);
Kristen Jakubowski, Rutland, VT (US)

(73) Assignee: **Vermont Juvenile Furniture Mfg., Inc.**, West Rutland, VT (US)

(**) Term: **15 Years**

(21) Appl. No.: **29/685,120**

(22) Filed: **Mar. 26, 2019**

(51) **LOC (13) Cl.** **30-99**

(52) **U.S. Cl.**
USPC **D30/199**

(58) **Field of Classification Search**
USPC D30/199, 119, 160, 108, 118, 158, 161,
D30/109, 117; 119/847, 849, 168, 51.01,
119/468, 484, 482, 412, 496-498,
119/706-711, 28.5, 165, 702, 703, 705,
119/485, 479, 537, 848; 182/180.1, 94;
160/213; 52/7, 183; 14/71.1, 69.5,
14/386-392; D34/32; 414/537, 480;
5/413 R; 108/156; 296/61
CPC A01K 15/027; A01K 15/024; A01K 15/00;
A01K 15/02; A01K 29/00; A01K 1/02;
A01K 1/035; A01K 1/0272; E04F 11/002;
E04F 11/00; E04F 2011/005; E04F
2011/007; E04G 27/00; B65G 69/28;
B65G 69/30; Y10T 16/557; B60R 3/002;
B60R 3/005; B60R 3/007; B60R 3/02;
B60R 3/00

See application file for complete search history.

(56) **References Cited**

U.S. PATENT DOCUMENTS

3,846,860 A * 11/1974 Kummerman B63B 27/143
14/71.1

4,528,711 A * 7/1985 Packer B65G 69/30
14/69.5

4,920,597 A * 5/1990 Hamilton E04B 1/34347
14/69.5

D316,771 S * 5/1991 Murray D34/32

5,324,004 A * 6/1994 Richardson B66F 7/243
254/88

D361,642 S * 8/1995 Smith D34/32

D373,885 S * 9/1996 Holland, Jr. D34/32

D382,676 S * 8/1997 Holbrook D30/119

5,870,788 A 2/1999 Witkin

6,010,298 A * 1/2000 Cohn A61G 3/061
414/522

D420,175 S * 2/2000 Garrels, Jr. D30/119

6,179,545 B1 * 1/2001 Petersen, Jr. A61G 3/061
14/71.7

6,343,908 B1 * 2/2002 Oudsten A61G 3/061
414/537

6,430,769 B1 * 8/2002 Allen A61G 3/061
14/69.5

6,484,343 B1 11/2002 Phillips

6,484,344 B1 * 11/2002 Cooper A61G 3/061
14/71.1

6,536,064 B1 * 3/2003 Swink B60P 1/431
14/69.5

6,602,041 B2 * 8/2003 Lewis A61G 3/061
414/537

6,715,177 B1 * 4/2004 Lagergren-Julander
B60P 1/433
119/847

6,968,810 B2 11/2005 Bishop

7,004,308 B2 2/2006 Parks et al.

7,043,789 B2 * 5/2006 Morrish A61G 3/061
14/69.5

7,222,838 B1 5/2007 Ji

7,225,492 B2 6/2007 Pratt

7,264,433 B2 * 9/2007 Navarro B60P 1/431
414/537

7,299,517 B1 * 11/2007 Adinolfe B65G 69/30
14/69.5

7,326,024 B2 * 2/2008 Cohn B60P 1/4457
414/546

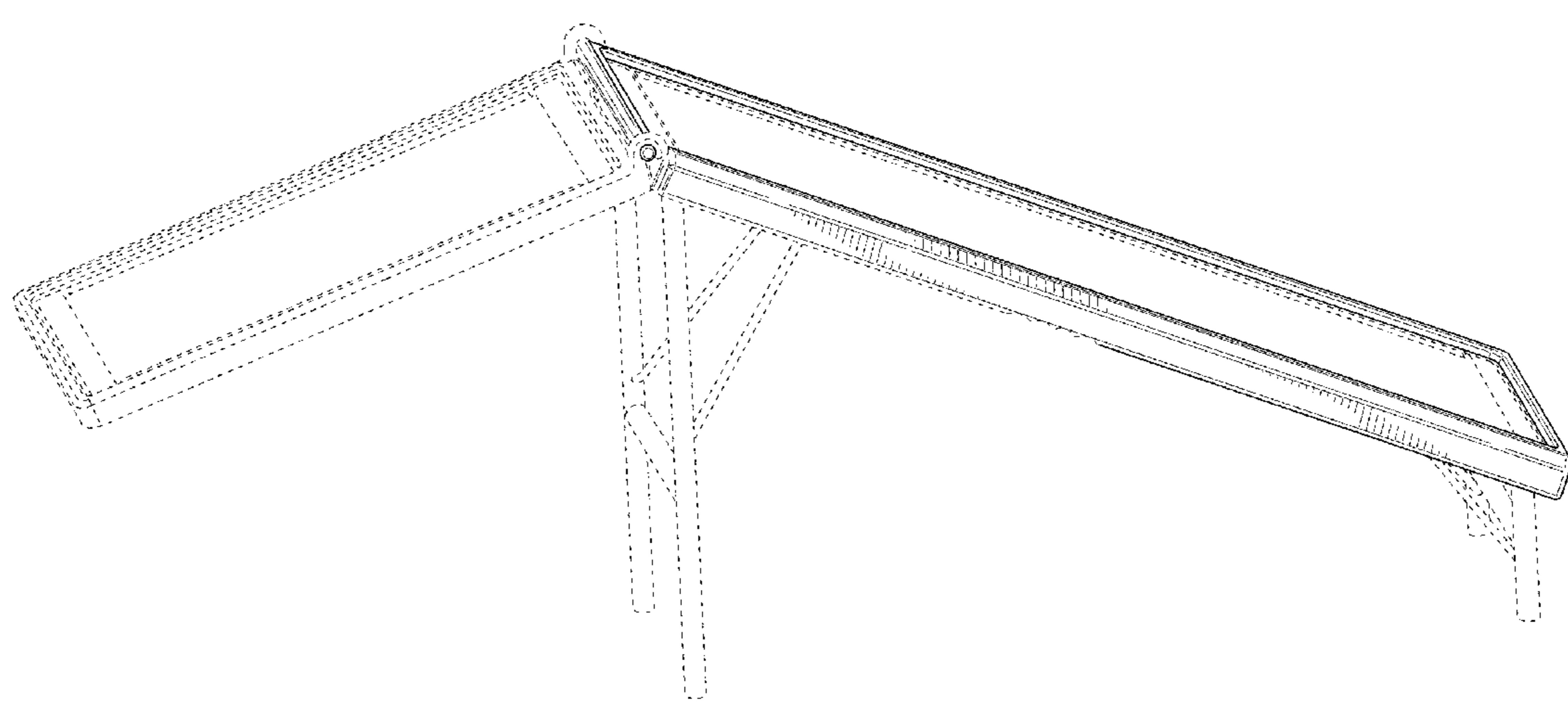
7,347,476 B2 * 3/2008 Luehr B60J 5/108
296/146.8

7,467,436 B1 * 12/2008 Jones E04F 11/002
14/69.5

7,493,874 B2 * 2/2009 Simpson A01K 1/0272
119/849

7,526,826 B2 * 5/2009 Bailie B65G 69/30
14/69.5

7,533,432 B2 * 5/2009 Morris A61G 3/061
14/71.3



US D910,938 S

Page 2

7,533,433 B2 *	5/2009	Morris	A61G 3/061	D848,079 S *	5/2019	MacNeil	D30/119
			14/71.3	D871,682 S *	12/2019	MacNeil	D30/119
7,533,434 B2 *	5/2009	Morris	A61G 3/061	D891,002 S *	7/2020	MacNeil	D30/119
			14/71.3	2002/0197141 A1 *	12/2002	Cohn	B60P 1/431
D599,062 S *	8/2009	Jakubowski	D30/199				414/537
D604,018 S *	11/2009	Simpson	D30/160	2003/0007853 A1 *	1/2003	Cohn	B60R 3/02
7,621,236 B2	11/2009	Steffey et al.					414/537
7,681,272 B2 *	3/2010	Morris	A61G 3/061	2003/0140433 A1	7/2003	Rieber	
			14/71.3	2003/0213072 A1 *	11/2003	Myrick	A01K 1/035
7,870,630 B2 *	1/2011	Johnson	E01D 19/00				14/69.5
			14/71.1	2004/0096304 A1 *	5/2004	Lewis	B60P 1/433
7,870,631 B2 *	1/2011	Morris	A61G 3/061				414/537
			14/71.3	2004/0136820 A1 *	7/2004	Cohn	B60P 1/43
8,032,963 B2 *	10/2011	Morris	B60R 3/02				414/537
			14/71.3	2005/0055783 A1 *	3/2005	Peschmann	B65G 69/30
D653,820 S *	2/2012	Haaf	D30/160				14/69.5
8,117,994 B1 *	2/2012	Goodlow	A01K 1/035	2005/0115522 A1 *	6/2005	Bishop	A01K 1/035
			119/849				119/847
8,122,552 B2 *	2/2012	Morris	A61G 3/061	2006/0191490 A1 *	8/2006	Lamstein	A01K 15/024
			14/71.3				119/706
8,122,553 B1 *	2/2012	Johnson	B60P 1/433	2006/0220410 A1 *	10/2006	Luehr	B62D 33/03
			14/71.3				296/61
8,166,594 B1 *	5/2012	Morris	B60P 1/433	2006/0245883 A1 *	11/2006	Fontaine	B60P 1/431
			14/71.3				414/537
8,181,300 B1 *	5/2012	Johnson	B60P 1/433	2007/0074675 A1	4/2007	Tu	
			14/71.3	2007/0234491 A1 *	10/2007	Bailie	E04G 27/00
8,230,539 B2 *	7/2012	Morris	B60P 1/433				14/69.5
			14/71.1	2008/0105215 A1 *	5/2008	Simpson	A01K 1/035
8,250,693 B1 *	8/2012	Johnson	B60P 1/433				119/849
			14/71.3	2008/0187425 A1 *	8/2008	Morris	A61G 3/061
8,327,486 B2 *	12/2012	Fontaine	B60P 1/433				414/537
			14/71.1	2008/0196675 A1 *	8/2008	Murrer	A01K 15/024
8,375,496 B1 *	2/2013	Johnson	A61G 3/061				119/706
			14/71.3	2008/0271267 A1 *	11/2008	Morris	A61G 3/061
8,402,660 B1 *	3/2013	Johnson	B60P 1/433				14/71.1
			29/897.2	2008/0271268 A1 *	11/2008	Johnson	A61G 3/061
8,434,181 B1 *	5/2013	Johnson	B65G 69/30				14/71.1
			14/71.3	2009/0035113 A1 *	2/2009	Morris	B60P 1/433
8,469,831 B2	6/2013	Jobe					414/537
8,561,549 B2 *	10/2013	Charbonneau	B60J 5/108	2009/0188439 A1 *	7/2009	Simpson	A01K 15/024
			105/348				119/706
8,590,159 B1 *	11/2013	Johnson	B65G 69/30	2009/0271934 A1 *	11/2009	Morris	A61G 3/061
			29/897.2				14/71.3
D696,821 S *	12/2013	Haaf	D30/160	2009/0300859 A1 *	12/2009	Lucht	E04F 11/002
8,635,729 B1 *	1/2014	Johnson	B60P 1/433				14/69.5
			14/71.3	2011/0008140 A1 *	1/2011	Hansen	A61G 3/067
8,695,141 B1 *	4/2014	Villareal	B65G 69/30				414/523
			14/69.5	2011/0072598 A1 *	3/2011	Morris	A61G 3/067
8,769,823 B1 *	7/2014	Johnson	B60P 1/433				14/69.5
			29/897.2	2012/0030886 A1 *	2/2012	Persson	B60R 3/02
D712,112 S *	8/2014	Leum	D34/32				14/71.1
8,869,333 B2 *	10/2014	Johnson	B60P 1/433	2012/0132480 A1 *	5/2012	Gomez Varela	E04F 11/002
			14/71.3				182/21
8,926,254 B2 *	1/2015	Pocobello	A61G 3/061	2014/0237739 A1 *	8/2014	Thompson	A63C 19/10
			414/537				14/2.4
8,938,837 B1 *	1/2015	Johnson	B60P 1/433	2015/0052693 A1 *	2/2015	Allen	A61G 3/061
			14/71.3				14/71.1
D729,462 S *	5/2015	Jakubowski	D30/199	2015/0068136 A1 *	3/2015	Duffield	E04H 1/1205
9,050,229 B1 *	6/2015	Morris	A61G 3/061				52/79.5
D736,484 S *	8/2015	Jakubowski	D30/199	2016/0302381 A1 *	10/2016	Asposito	A01K 1/035
D736,485 S	8/2015	Jakubowski et al.		2017/0121962 A1 *	5/2017	Duffield	E04B 1/34331
9,101,519 B2 *	8/2015	Smith	A61G 5/08	2017/0275886 A1 *	9/2017	Ueno	E04F 11/002
9,174,113 B2 *	11/2015	Thompson	E01C 13/003	2019/0283986 A1 *	9/2019	Morrish	B65G 69/287
9,271,883 B2 *	3/2016	Johnson	A61G 3/061	2020/0037582 A1 *	2/2020	Caterson	A01K 1/035
D756,573 S *	5/2016	Jakubowski	D30/199	2020/0085188 A1 *	3/2020	Feldman	A47B 96/028
9,440,808 B2	9/2016	Giemza et al.		2020/0308842 A1 *	10/2020	Jakubowski	E04F 11/002
9,441,333 B2	9/2016	McIntosh					
9,694,997 B2	7/2017	Lopez					
9,775,326 B1 *	10/2017	MacNeil	A01K 1/035				
9,776,547 B2	10/2017	Lin					
9,920,535 B2 *	3/2018	Belman	E04F 11/002				
10,190,310 B2 *	1/2019	Duffield	E04B 1/34815				
D846,813 S *	4/2019	MacNeil	D30/119				

FOREIGN PATENT DOCUMENTS

GB	2 320 408 A	6/1998
GB	2 449 658 A	12/2008
WO	2017 009818 A1	1/2017

OTHER PUBLICATIONS

“Free-Standing Extra Wide Pet Ramp” Pet Gear Inc. 2015. https://www.petgearinc.com/product_info.asp?id=503 Accessed Aug. 7, 2018.

* cited by examiner

Primary Examiner — Susan Moon Lee
(74) *Attorney, Agent, or Firm* — Volpe Koenig

(57)

CLAIM

The ornamental design for a pet ramp, as shown and described.

DESCRIPTION

FIG. 1 is a side perspective view of a pet ramp in accordance with our new design;

FIG. 2 is a front view of the pet ramp shown in FIG. 1; FIG. 3 is a rear view of the pet ramp shown in FIG. 1; FIG. 4 is a first side view of the pet ramp shown in FIG. 1; FIG. 5 is a second side view of the pet ramp shown in FIG. 1;

FIG. 6 is a top view of the pet ramp shown in FIG. 1; FIG. 7 is a bottom view of the pet ramp shown in FIG. 1; FIG. 8 is a bottom perspective view of the pet ramp shown in FIG. 1 in a collapsed position; and, FIG. 9 is a top perspective view of the pet ramp shown in FIG. 1 in the collapsed position.

All broken lines appearing in the drawings are for illustrative purposes and/or represent unclaimed subject matter and form no part of the claimed design.

1 Claim, 8 Drawing Sheets

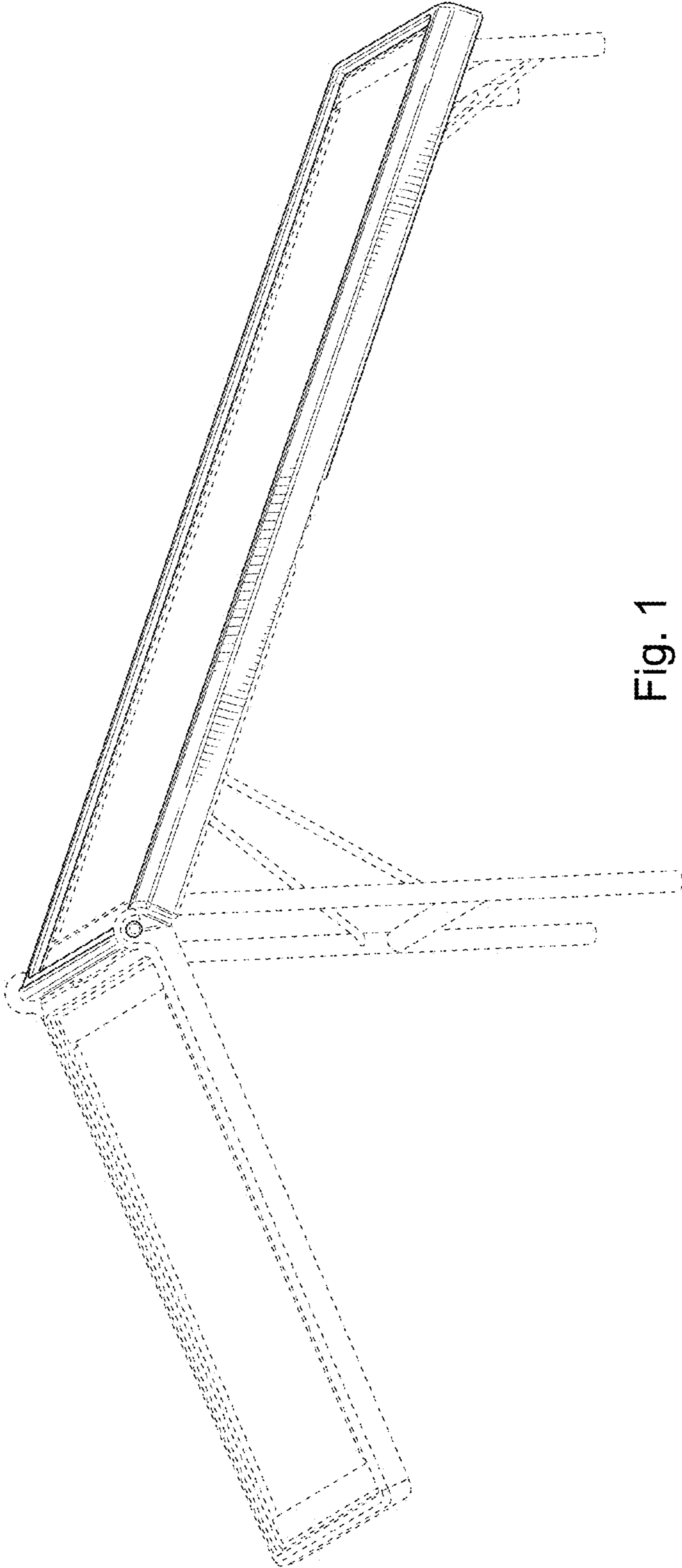


Fig. 1

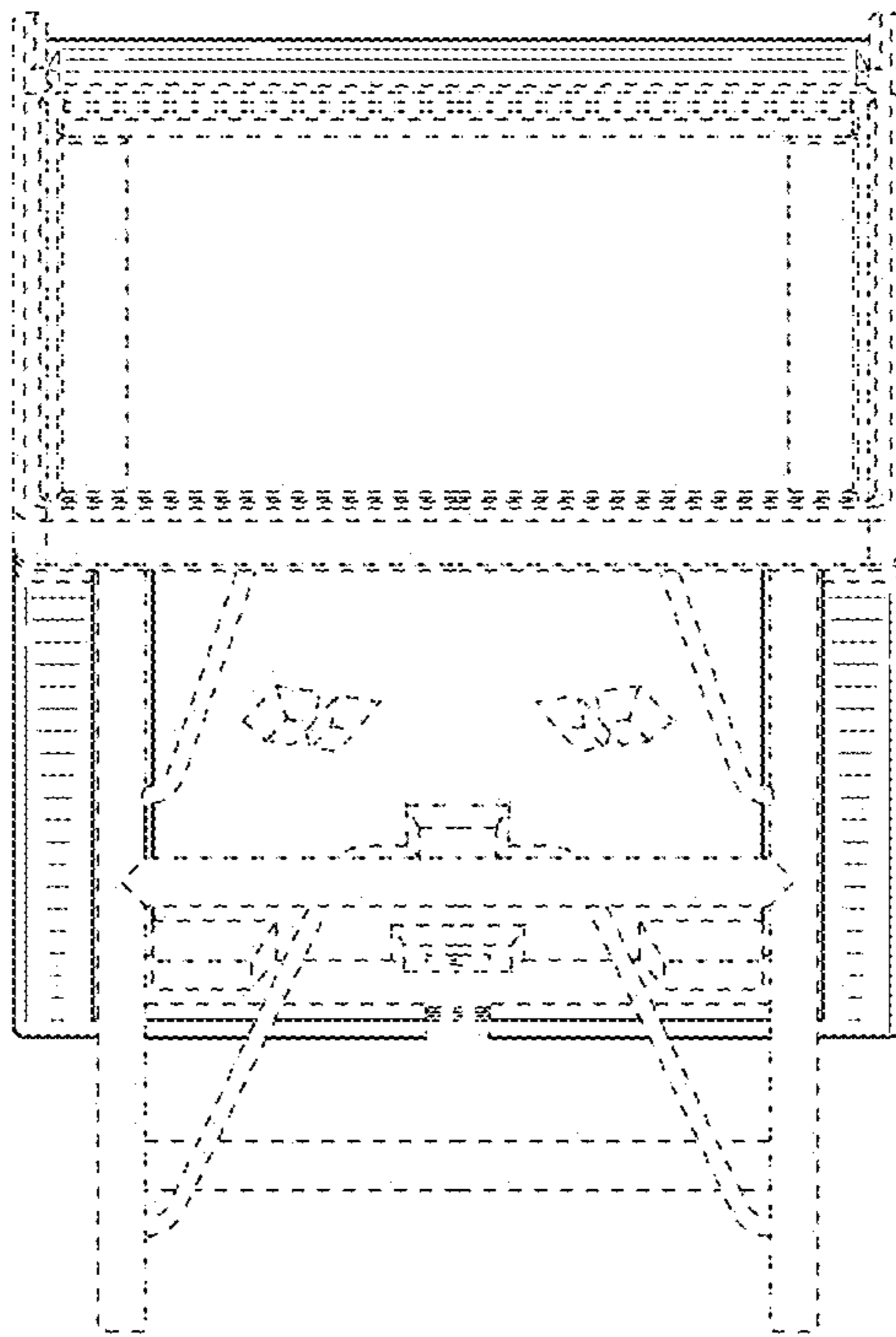


Fig. 2

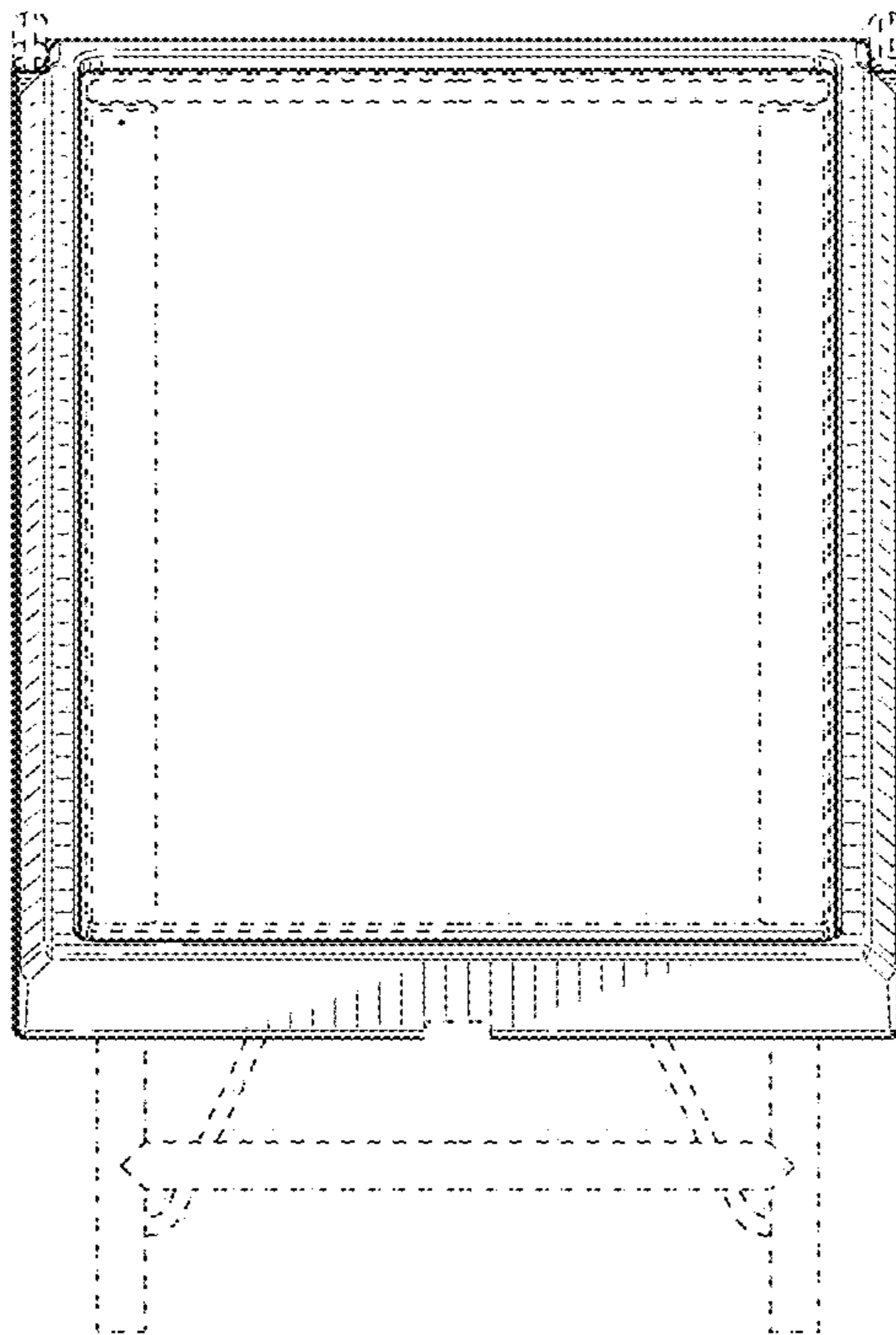


Fig. 3

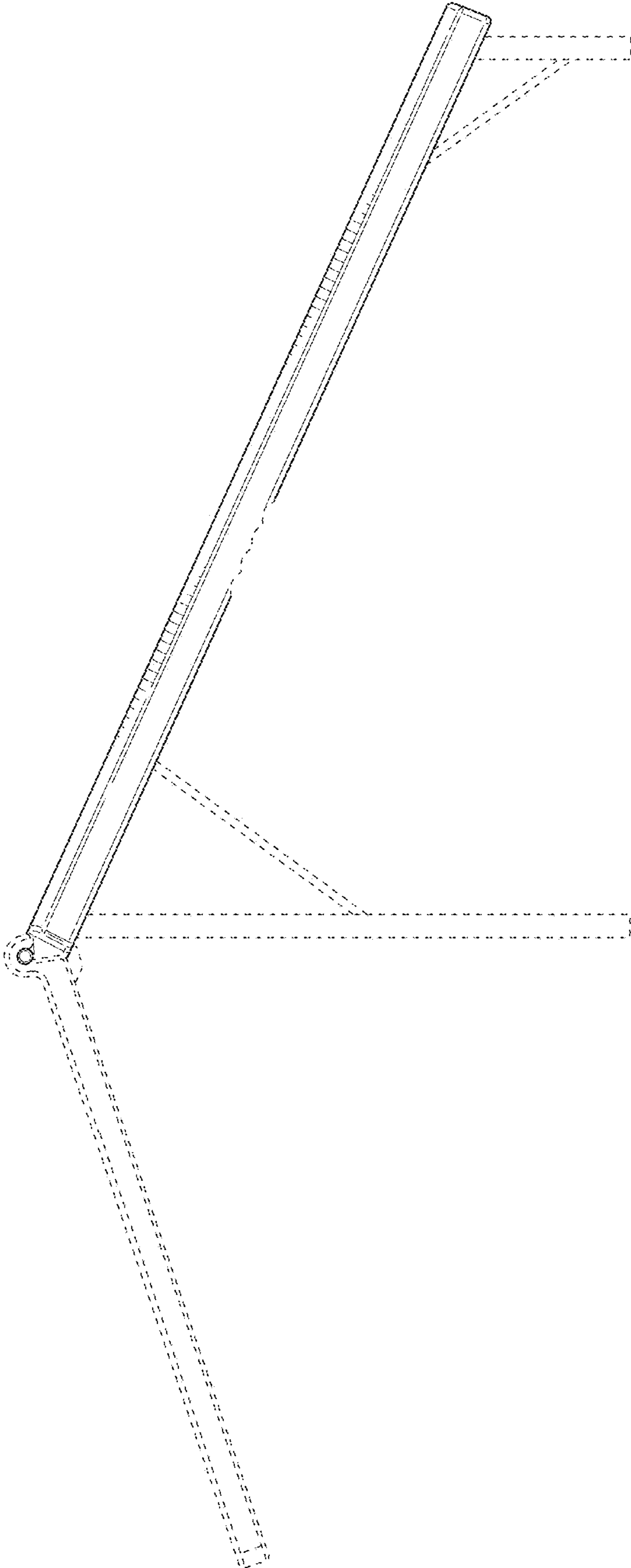


Fig. 4

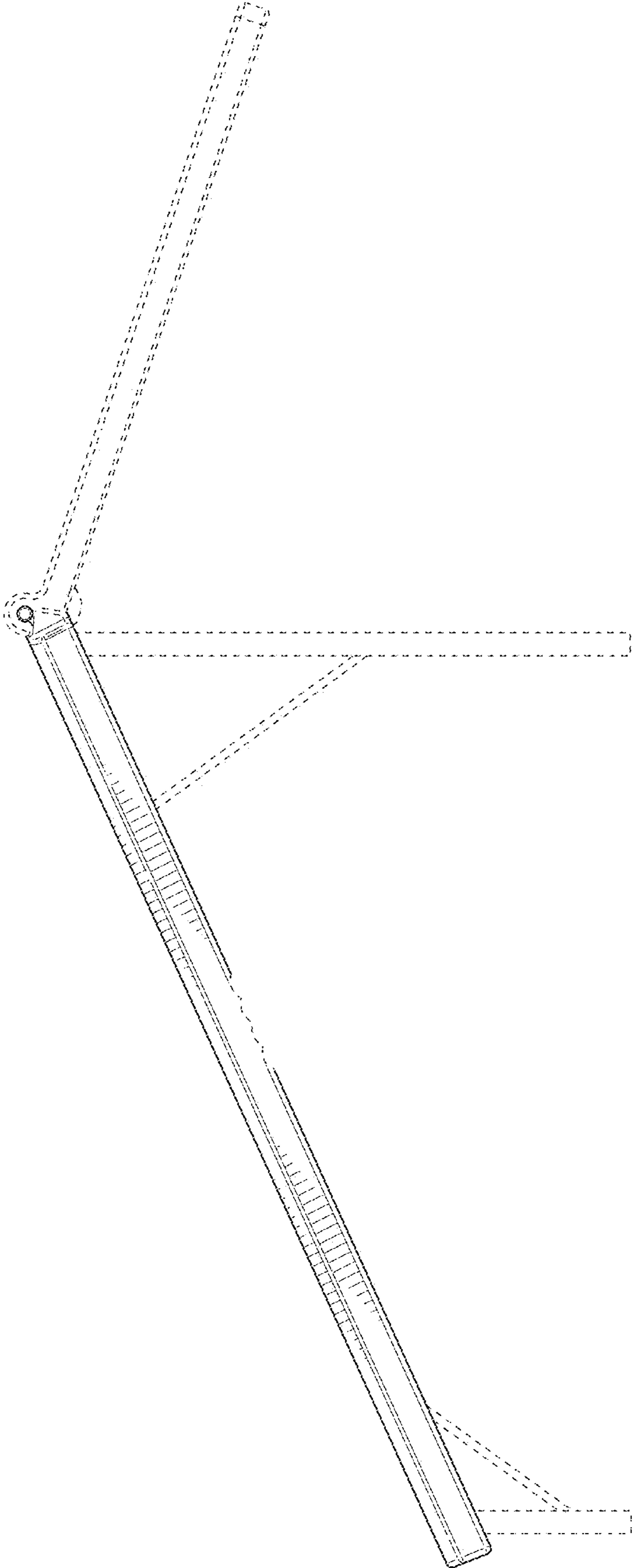


Fig. 5

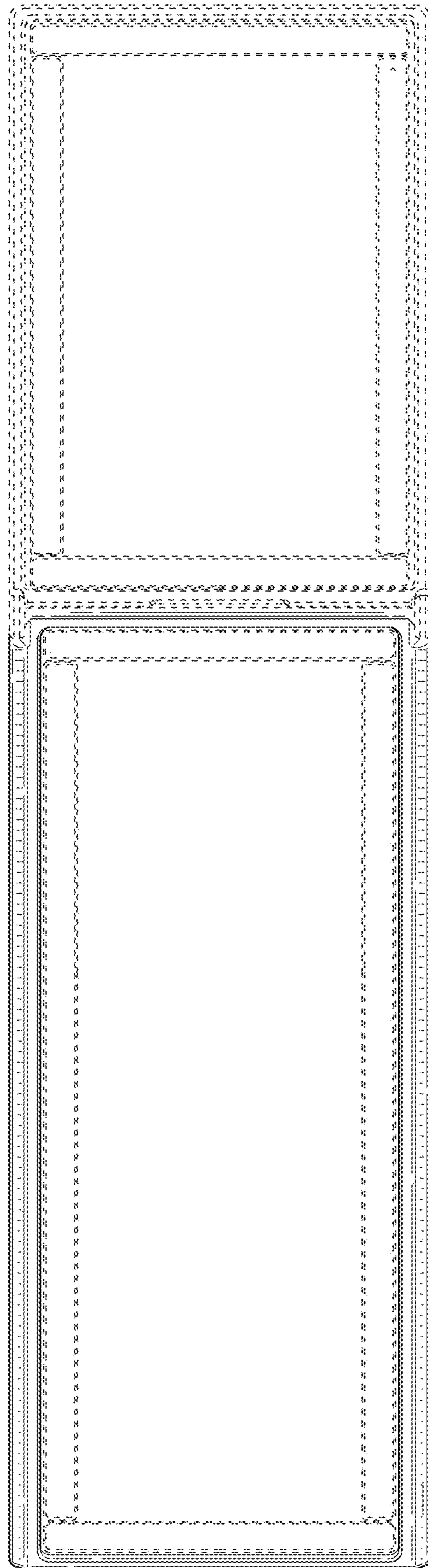


Fig. 6

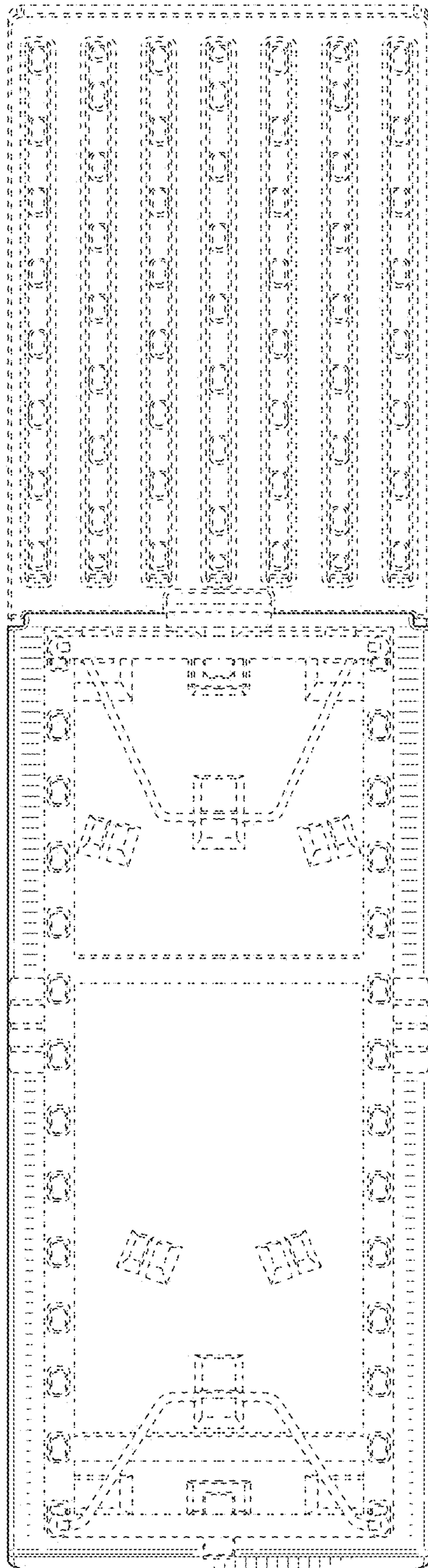


Fig. 7

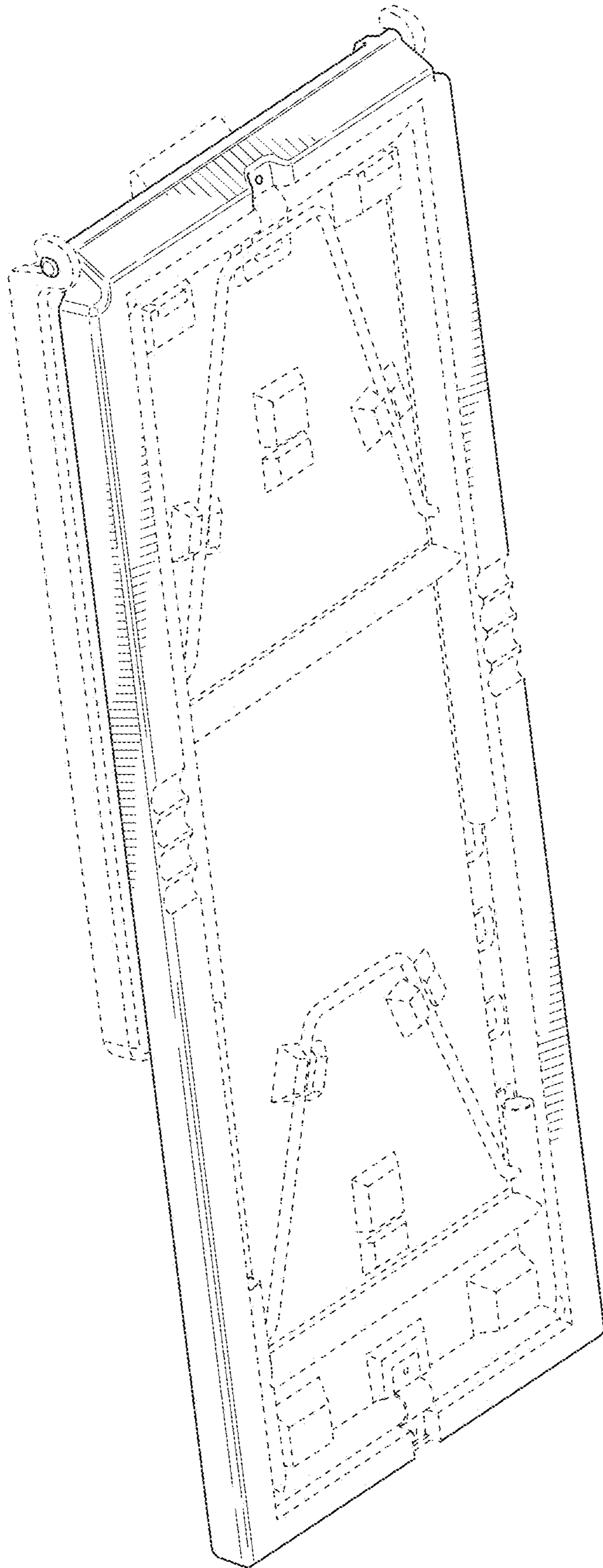


Fig. 8

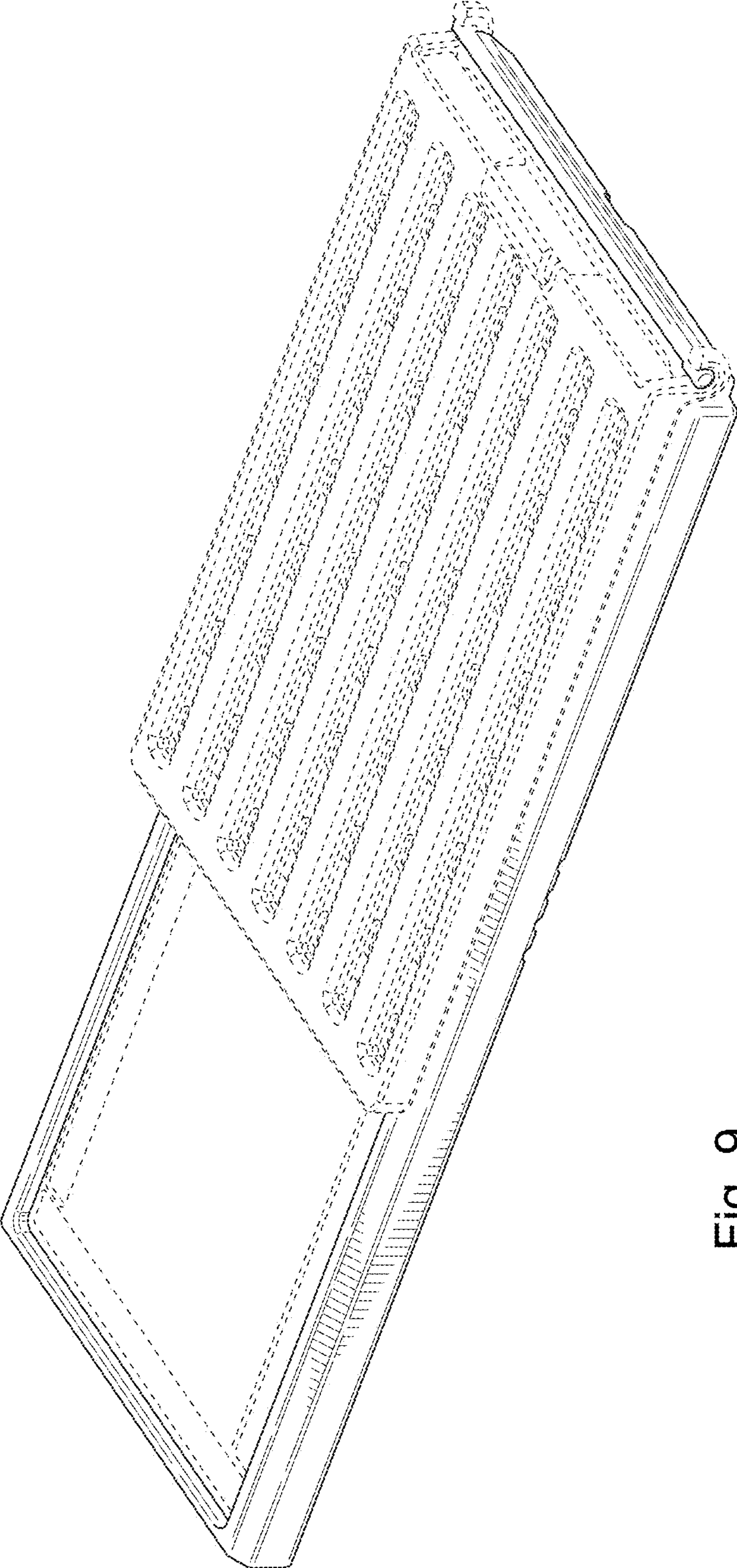


Fig. 9