

(56)

References Cited

U.S. PATENT DOCUMENTS

4,606,341 A * 8/1986 Hubbard A41D 13/1123
128/206.19
D292,030 S 9/1987 Revson
4,802,473 A * 2/1989 Hubbard A41D 13/1115
128/206.13
4,867,148 A * 9/1989 Gomez A41D 13/11
128/858
4,920,960 A * 5/1990 Hubbard A41D 13/1115
128/206.12
4,941,470 A * 7/1990 Hubbard A41D 13/1115
128/206.13
4,969,457 A * 11/1990 Hubbard A41D 13/1115
128/206.12
D348,330 S 6/1994 Marrese
D348,331 S 6/1994 Marrese
D354,153 S 1/1995 Marrese
5,379,782 A * 1/1995 Tabb A45D 8/00
132/273
D366,697 S * 1/1996 Drummond D24/110.1
D380,545 S 7/1997 Nozaki et al.
D391,674 S * 3/1998 Meehan D2/865
D391,675 S 3/1998 Meehan
5,727,574 A * 3/1998 Frye A45D 2/00
132/210
D396,128 S * 7/1998 Fergusson D28/41
5,813,398 A * 9/1998 Baird A41D 13/1115
128/201.15
5,927,280 A * 7/1999 Miyake A41D 13/1115
128/206.12
6,000,408 A * 12/1999 Maturaporn A45D 8/34
132/273
D420,769 S * 2/2000 White D24/110.1
D443,954 S * 6/2001 Blum D28/41
D475,804 S * 6/2003 Stachowski D28/41
D638,171 S * 5/2011 Goranov D29/108
D693,062 S * 11/2013 Bowen D29/108
D777,988 S * 1/2017 Miros D29/108
D785,780 S 5/2017 Scarbrough et al.
D803,391 S * 11/2017 Reese D24/110.1

D837,456 S * 1/2019 Andrews D29/108
D848,678 S * 5/2019 Andrews D29/108
D850,760 S * 6/2019 Greenblat D2/865
D854,144 S 7/2019 Bowen
D859,742 S * 9/2019 Harrel D28/41
D867,660 S * 11/2019 Thillet D28/41
D874,735 S * 2/2020 Ward D29/108
D885,677 S * 5/2020 Acosta D29/108
D892,440 S * 8/2020 Holmes D2/865
2004/0078860 A1 * 4/2004 Bell A41D 13/1161
2/9
2010/0307503 A1 12/2010 Iwamoto et al.
2013/0047995 A1 * 2/2013 Shibata A62B 23/025
128/863
2014/0076334 A1 * 3/2014 Cheng A61B 46/00
128/857
2014/0182600 A1 * 7/2014 Duffy A41D 13/1115
128/863
2014/0224261 A1 8/2014 Tsuei
2014/0237695 A1 * 8/2014 Al Malki A41D 13/1138
2/9
2014/0326255 A1 * 11/2014 Teng A41D 13/1115
128/863
2015/0020815 A1 * 1/2015 Gabriel A41D 13/1161
128/863
2015/0047642 A1 * 2/2015 Tucker A62B 18/025
128/206.17
2015/0056102 A1 * 2/2015 Yamada A61L 9/014
422/120
2016/0015098 A1 * 1/2016 Conlon A41D 13/1192
128/863
2016/0029715 A1 * 2/2016 Zheng A41D 13/11
128/863
2016/0151650 A1 * 6/2016 Reese A62B 23/025
128/863
2020/0008970 A1 * 1/2020 Parker A41D 31/00

OTHER PUBLICATIONS

Face Mask Holder, Sewing Rabbit, <https://mesewcrazy.com/2020/05/face-mask-holder.html>, 2020 (Year: 2020).*

* cited by examiner

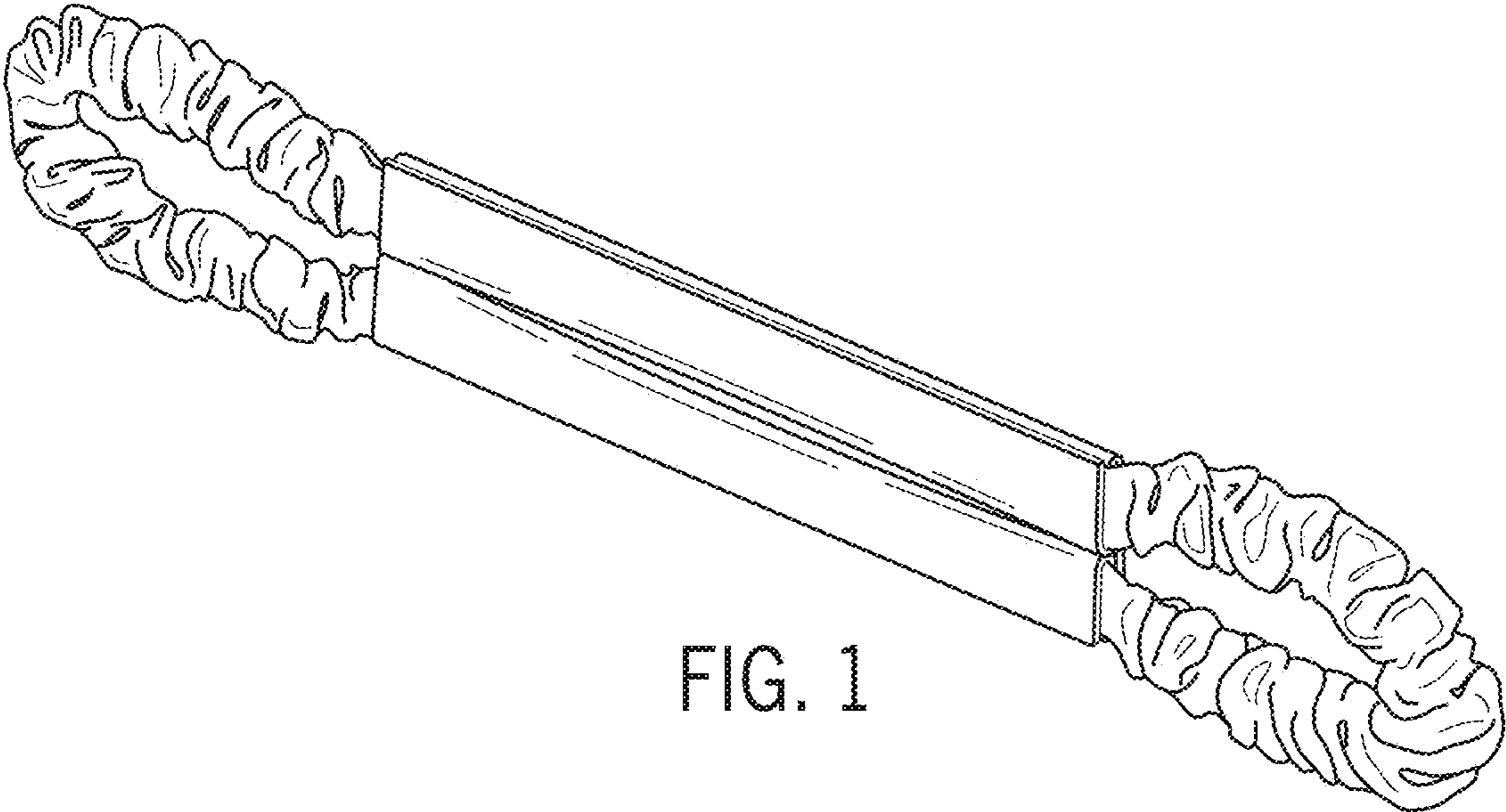


FIG. 1

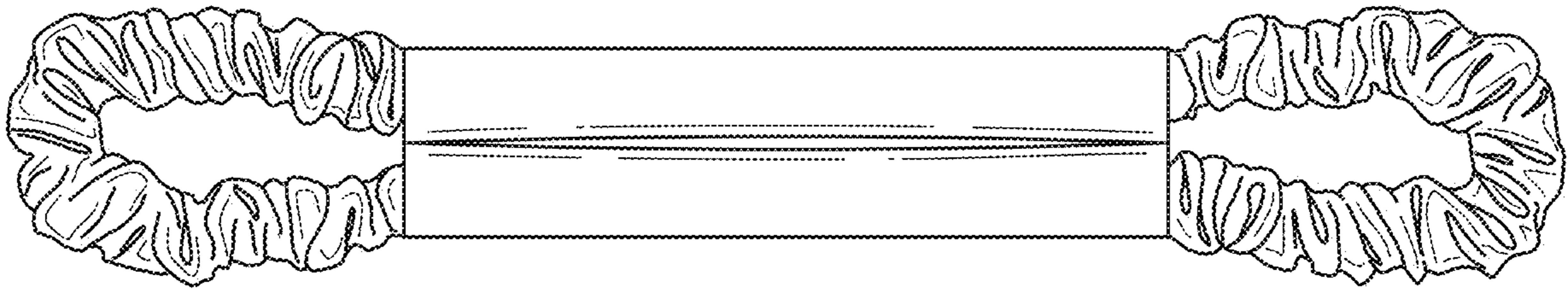


FIG. 2

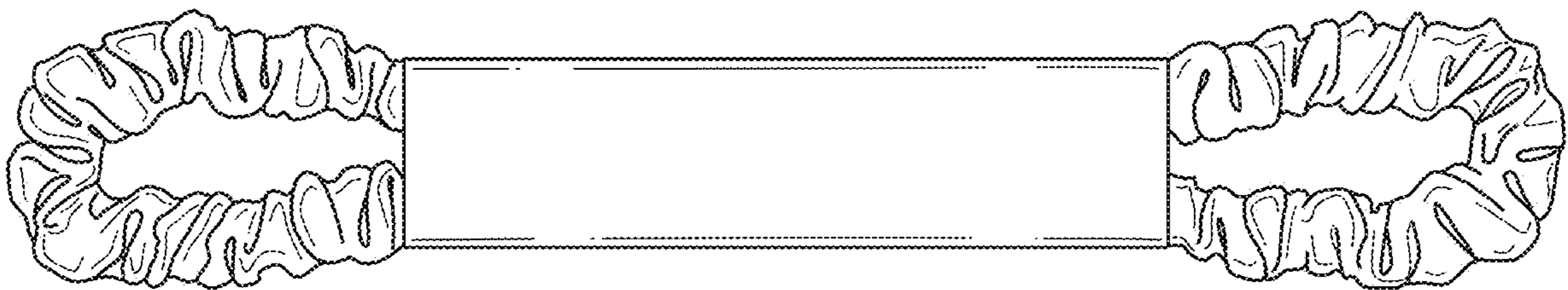


FIG. 3



FIG. 4



FIG. 5

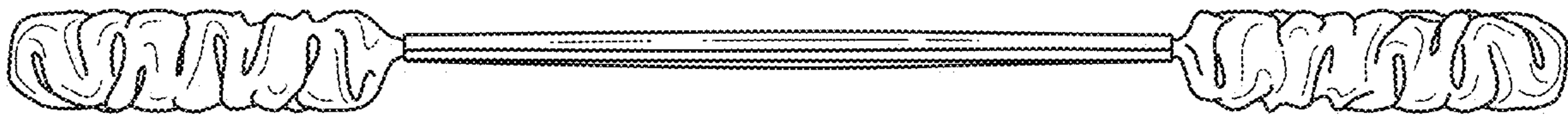


FIG. 6

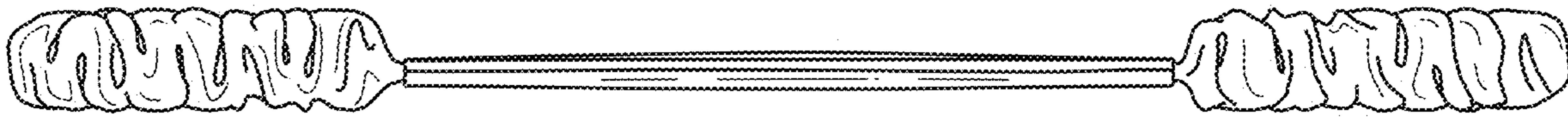


FIG. 7

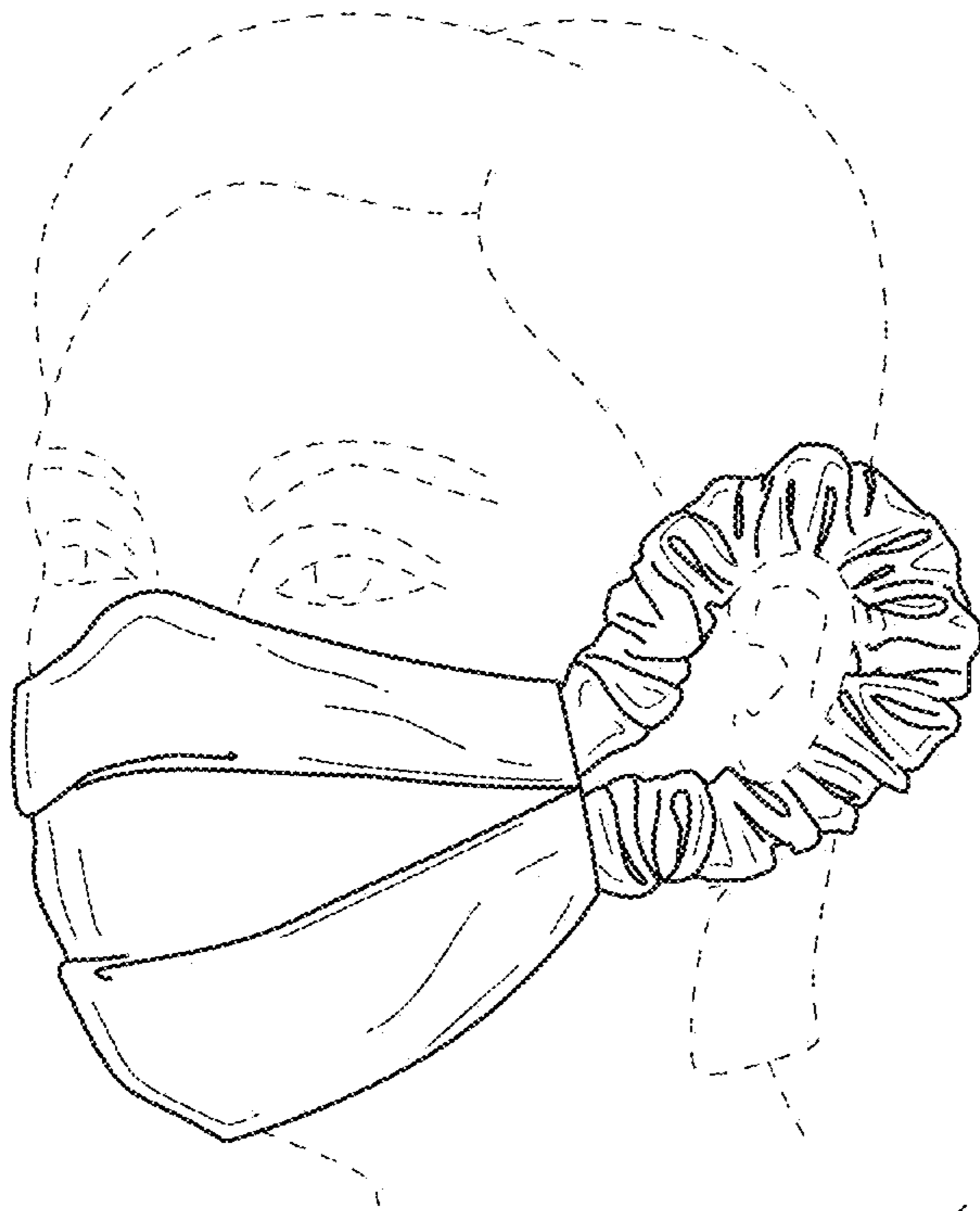


FIG. 8

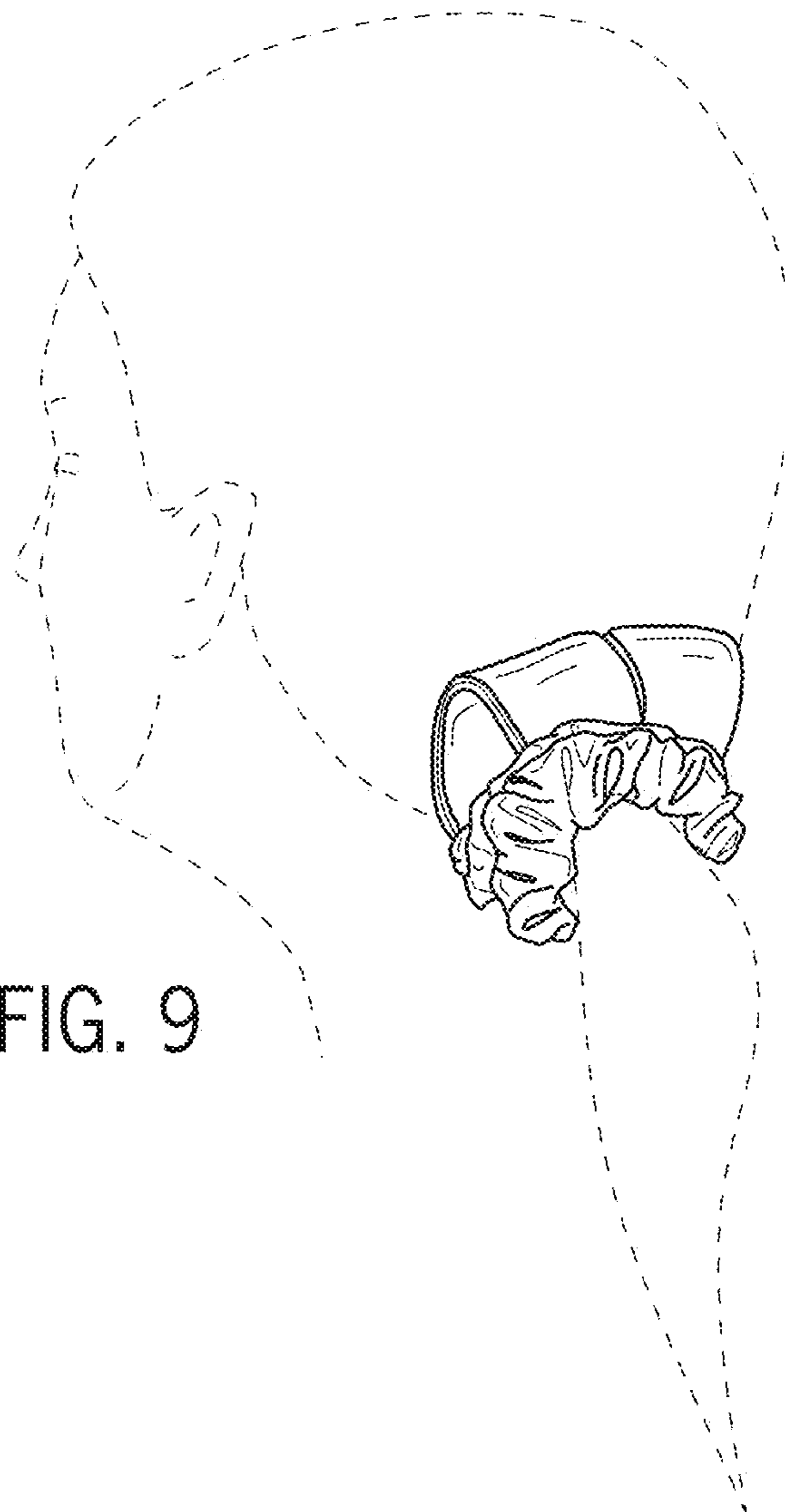


FIG. 9

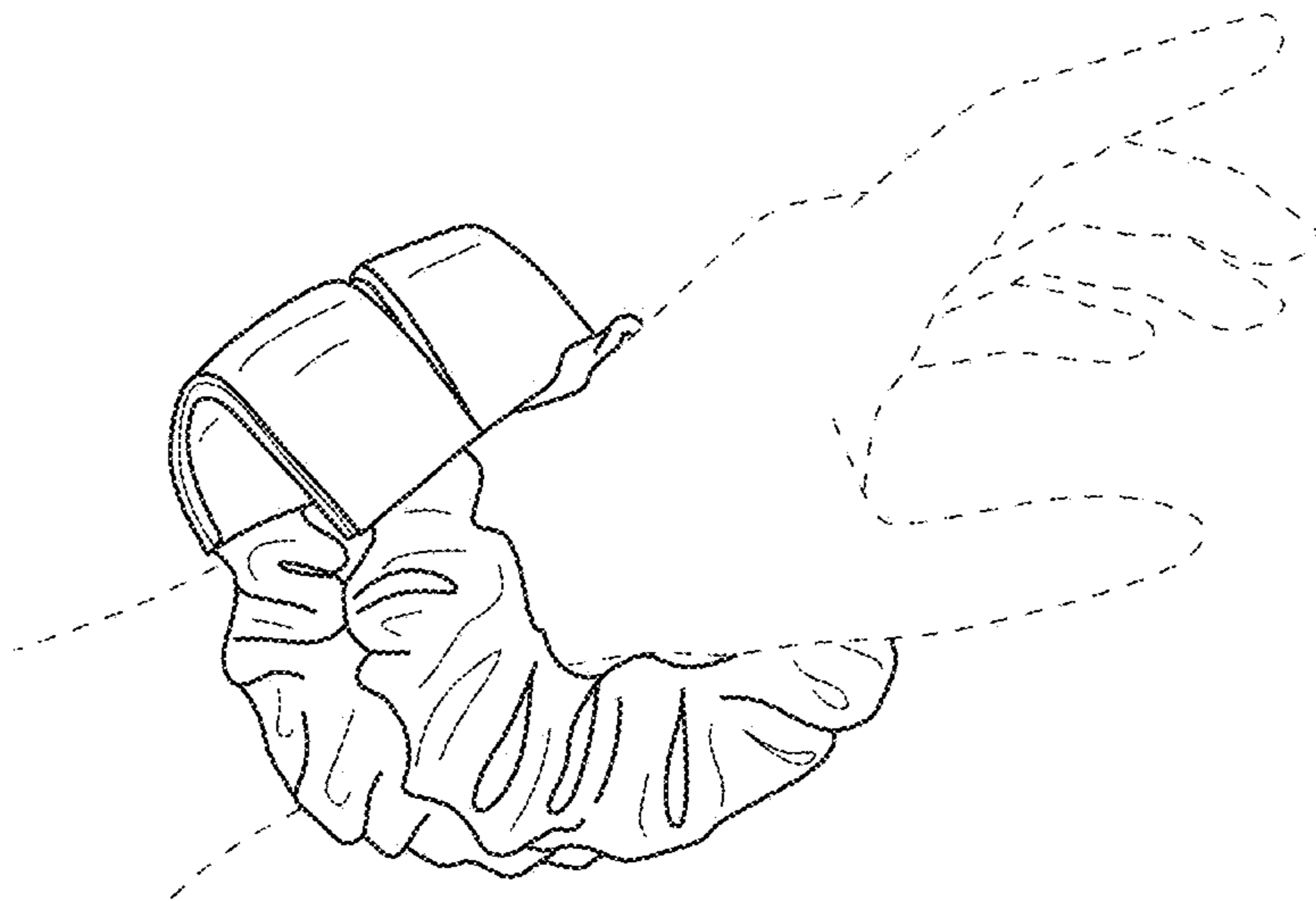


FIG. 10