



US00D910920S

(12) **United States Design Patent** (10) **Patent No.:** **US D910,920 S**
Jiang (45) **Date of Patent:** **** Feb. 16, 2021**

(54) **ELECTRIC HAIR CLIPPER**
(71) Applicant: **NINGBO ICLIPPER ELECTRIC APPLIANCE CO., LTD.**, Ningbo (CN)
(72) Inventor: **Qi Jiang**, Ningbo (CN)
(**) Term: **15 Years**
(21) Appl. No.: **29/744,022**
(22) Filed: **Jul. 27, 2020**
(51) **LOC (13) Cl.** **28-03**
(52) **U.S. Cl.**
USPC **D28/53**
(58) **Field of Classification Search**
USPC D28/49-54
CPC B26B 19/00-08; B26B 19/10-12; B26B 19/20-24; B26B 19/26-265; B26B 19/38-3826; B26B 19/3873-3893; B26B 19/42
See application file for complete search history.

D821,652 S * 6/2018 Skuhra D28/53
10,059,013 B2 * 8/2018 Skuhra B26B 19/3853
D844,245 S * 3/2019 Wu D28/53
D846,192 S * 4/2019 Wu D28/53
D847,432 S * 4/2019 Aulwes D28/54
10,518,427 B2 * 12/2019 Skuhra B26B 19/3853
2003/0051346 A1 * 3/2003 McCambridge B26B 19/3846
30/122
2013/0200823 A1 * 8/2013 Chan H02K 33/16
318/3

OTHER PUBLICATIONS

<https://iclipperen.alibaba.com/> iclipper Ningbo Iclipper products, downloaded Jan. 2021, reviewed as early as Dec. 2020, 1 page (Year: 2020).*

* cited by examiner

Primary Examiner — Jennifer Rivard
(74) *Attorney, Agent, or Firm* — ZANIP

(57) **CLAIM**

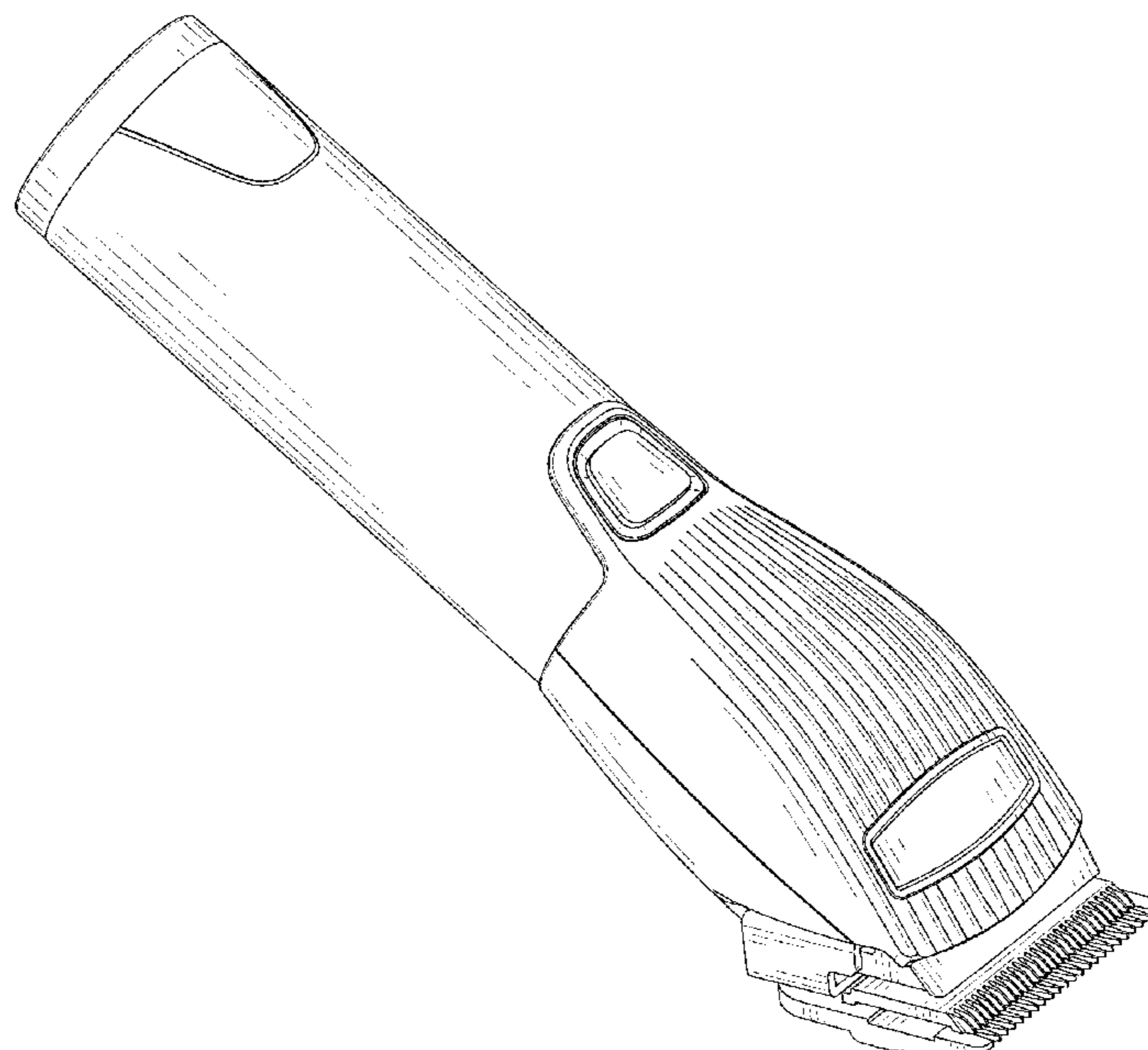
The ornamental design for an electric hair clipper, as shown and described.

DESCRIPTION

FIG. 1 is a front and top perspective view of an electric hair clipper, showing my new design;
FIG. 2 is a rear and bottom perspective view thereof;
FIG. 3 is a front elevational view thereof;
FIG. 4 is a rear elevational view thereof;
FIG. 5 is a left side elevational view thereof;
FIG. 6 is a right side elevational view thereof;
FIG. 7 is a top plan view thereof; and,
FIG. 8 is a bottom plan view thereof.
The broken lines in the figures illustrate portions of the article that form no part of the claimed design.

1 Claim, 8 Drawing Sheets

(56) **References Cited**
U.S. PATENT DOCUMENTS
D435,936 S * 1/2001 Long D28/54
D497,452 S * 10/2004 Nielsen D28/53
D500,392 S * 12/2004 Buck, Jr. D28/54
D534,689 S * 1/2007 Gross D28/53
D556,379 S 11/2007 Akahori
D571,504 S * 6/2008 Long D28/54
D597,254 S * 7/2009 Eddinger D28/54
D715,489 S * 10/2014 Aulwes D28/54
D715,490 S * 10/2014 Aulwes D28/54
9,038,276 B2 * 5/2015 Arndt B26B 19/06
30/208
D758,665 S * 6/2016 Skuhra D28/54
D790,133 S * 6/2017 Aulwes D28/54
D815,355 S * 4/2018 Fleming D28/53



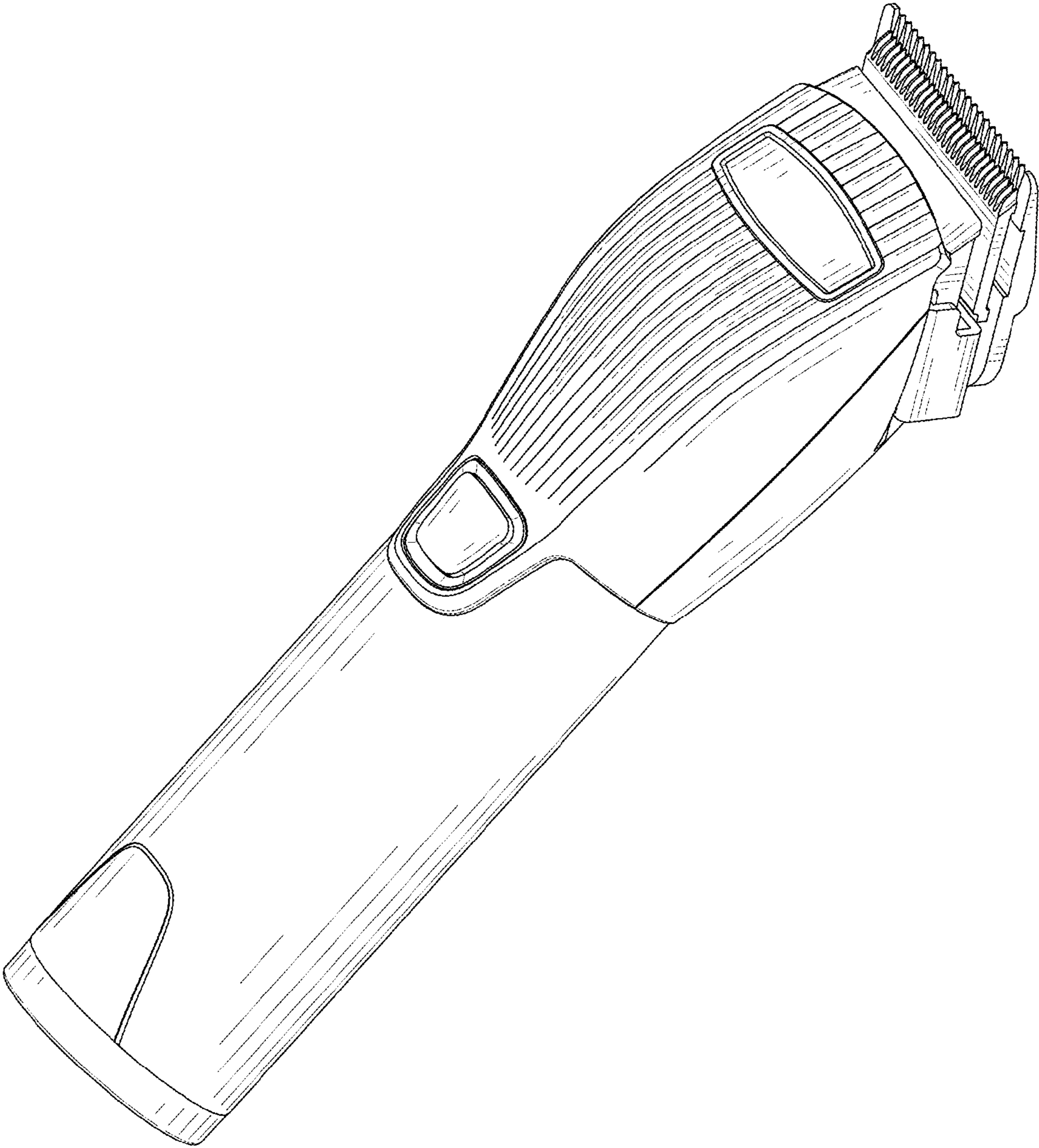


FIG. 1

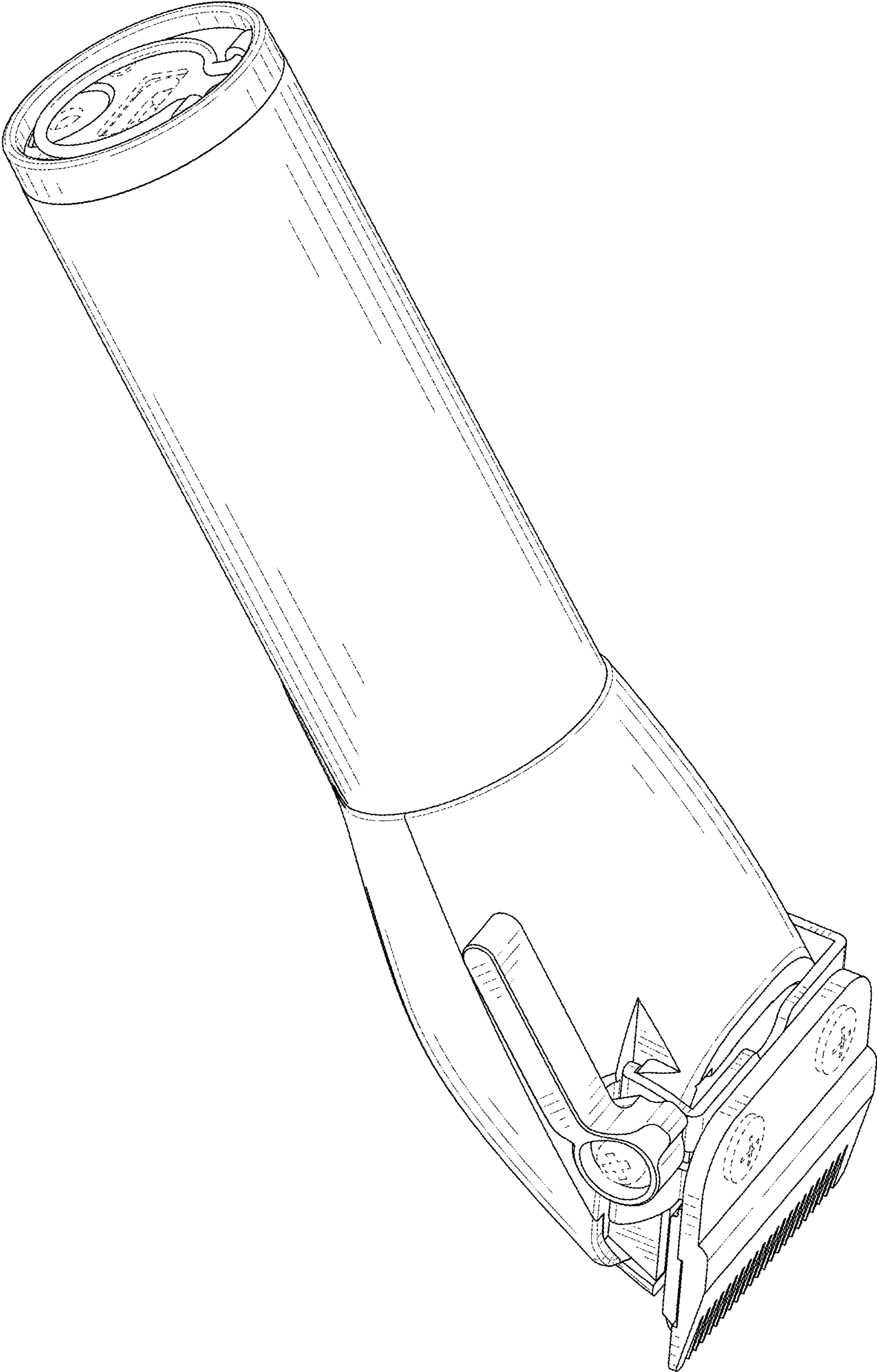


FIG. 2

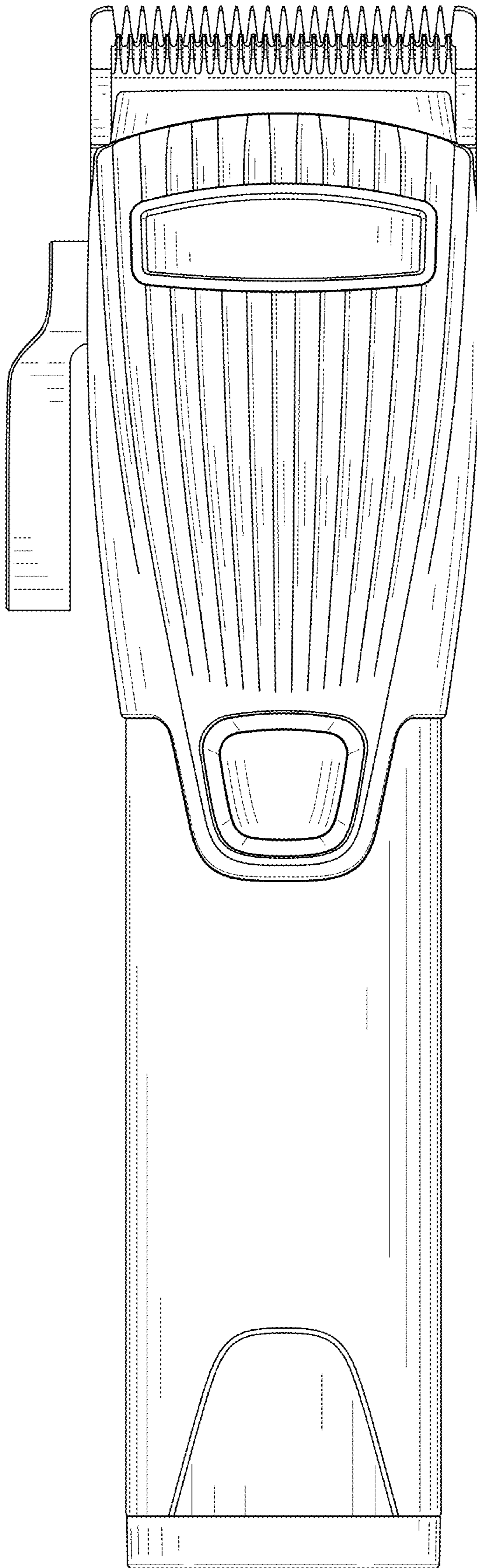


FIG. 3

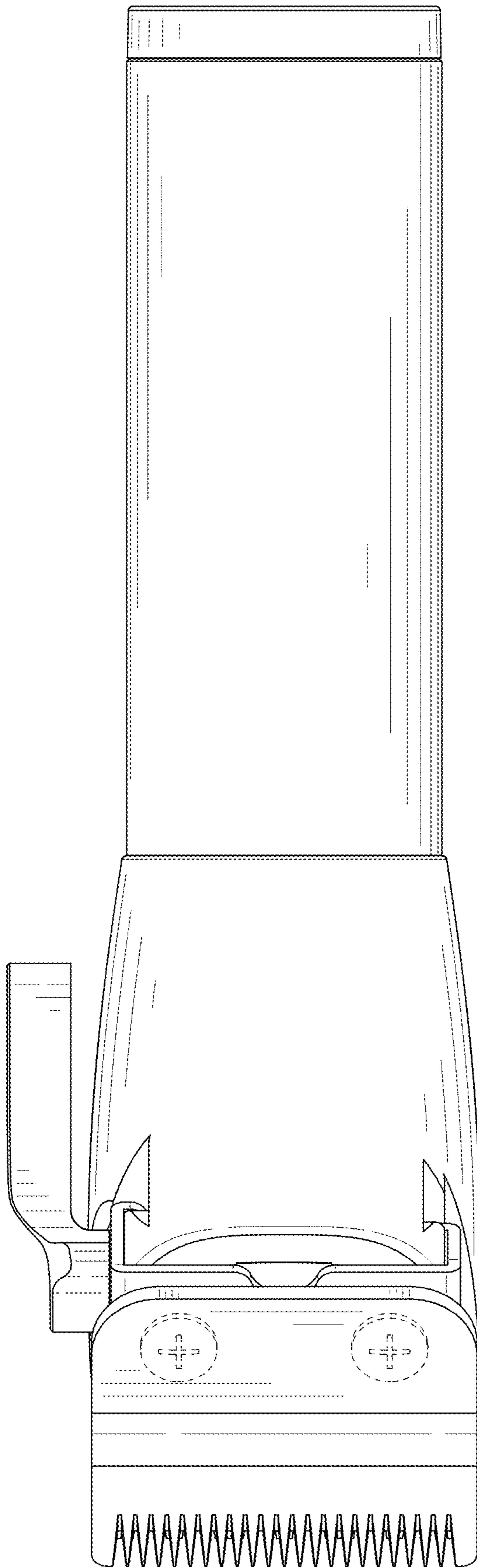


FIG. 4

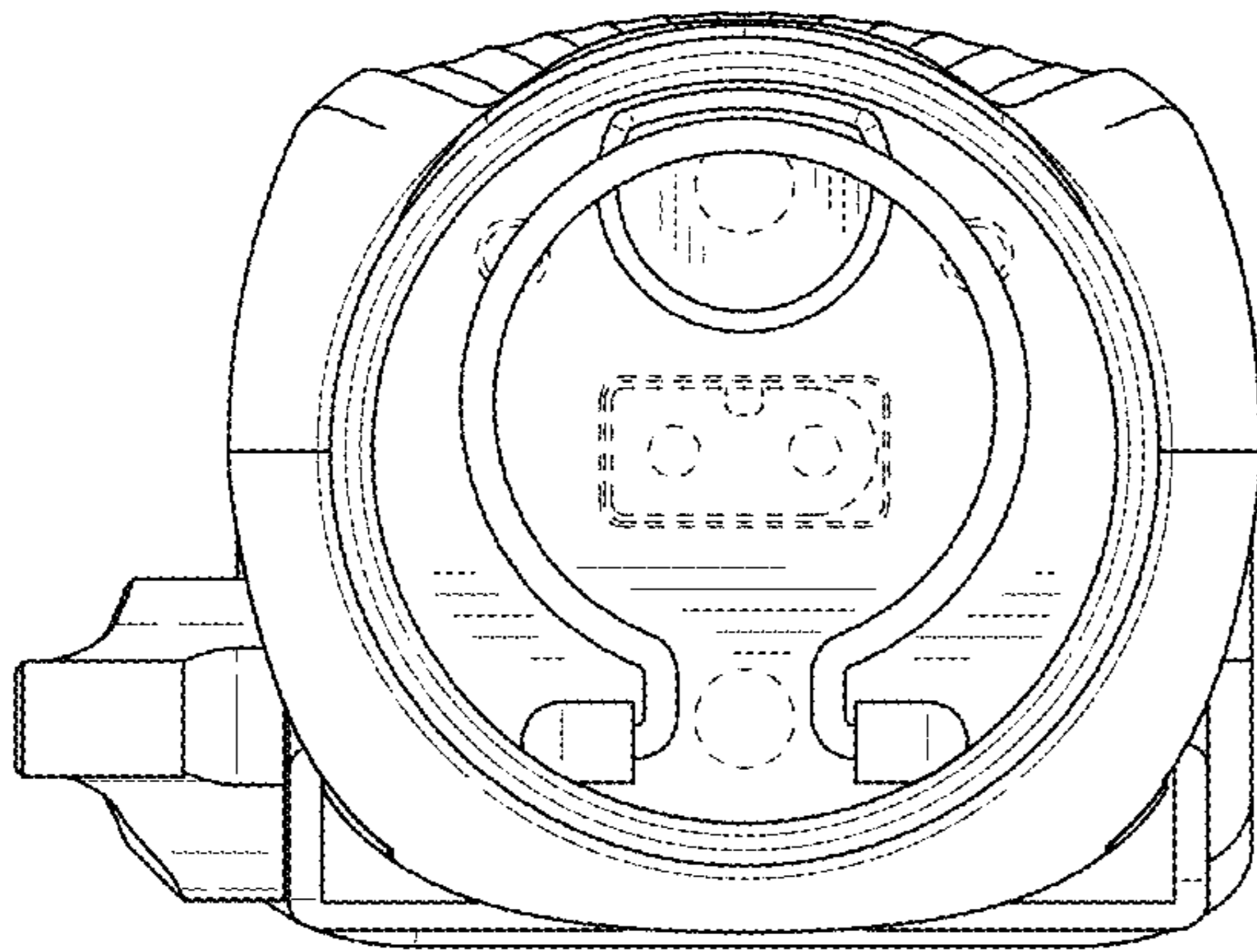


FIG. 5

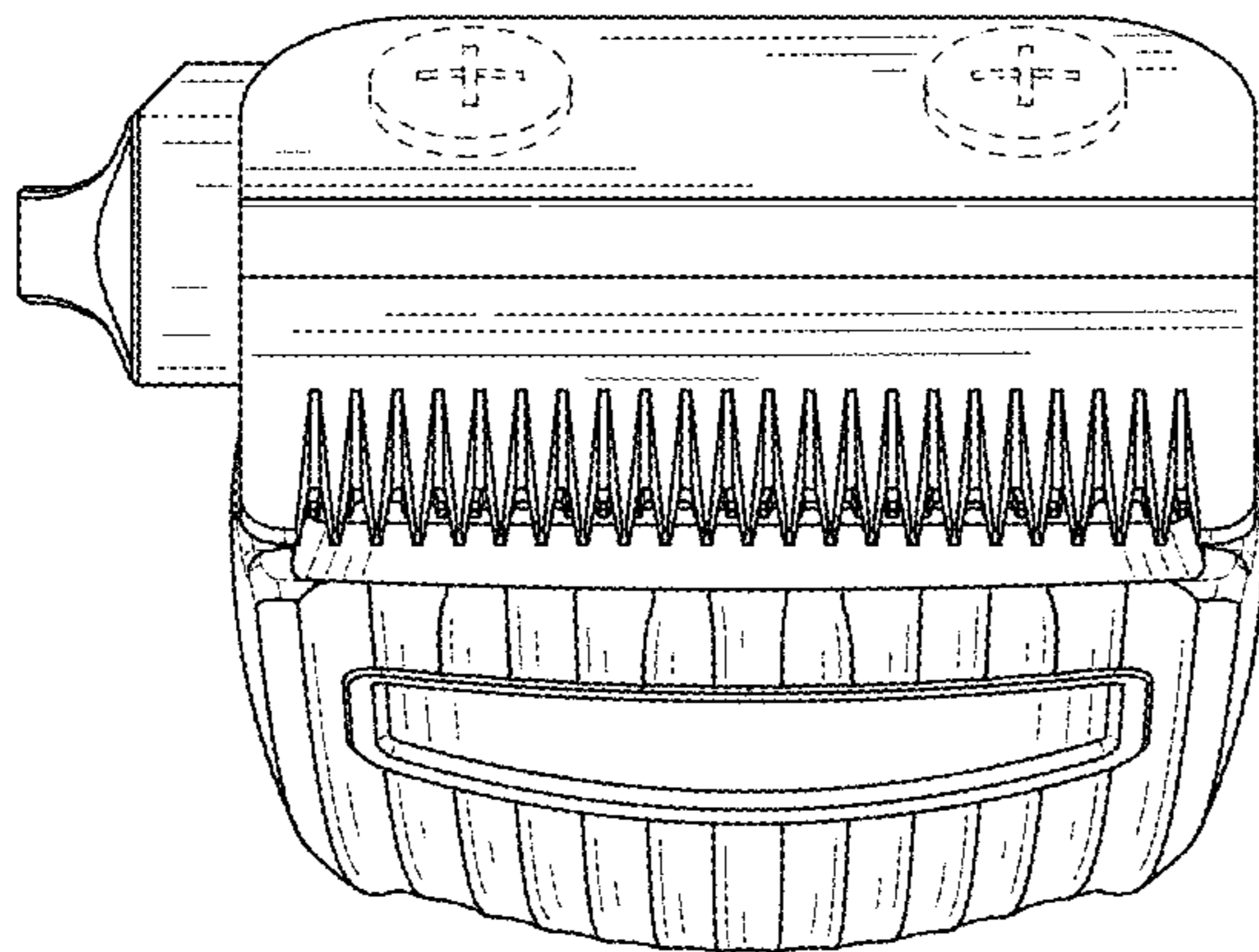


FIG. 6

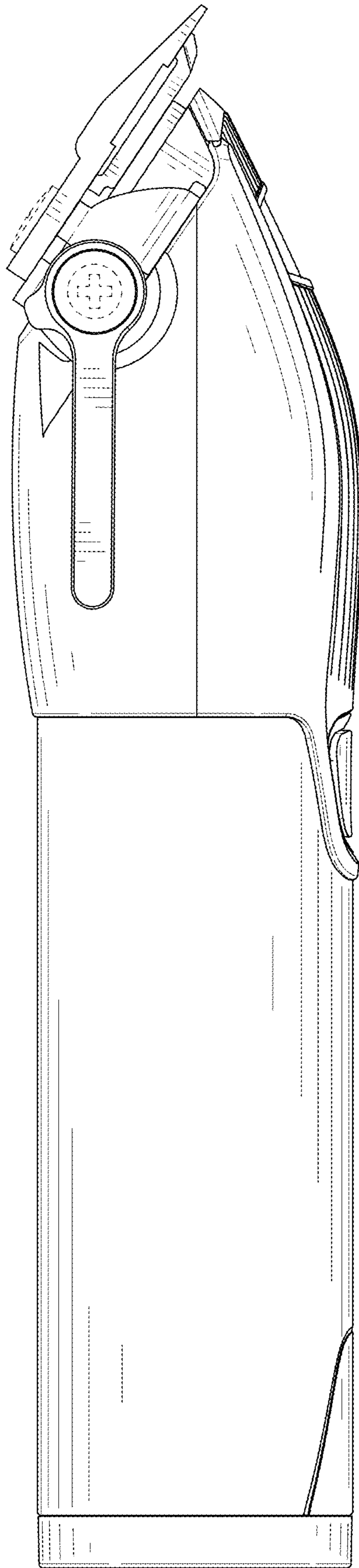


FIG. 7

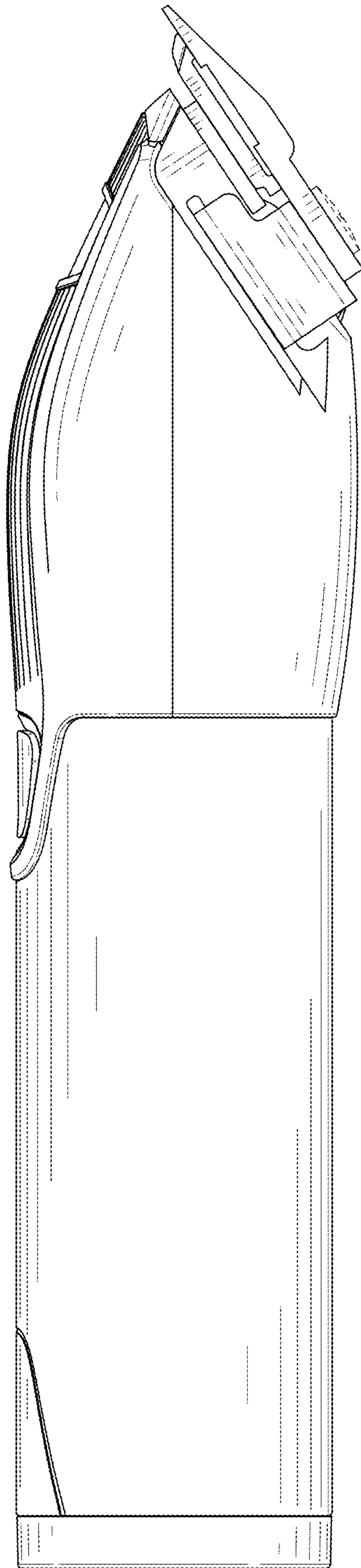


FIG. 8