



US00D910917S

(12) **United States Design Patent** (10) **Patent No.:** **US D910,917 S**
Ramm et al. (45) **Date of Patent:** **** Feb. 16, 2021**

(54) **HANDLE FOR A SHAVING RAZOR**
(71) Applicant: **The Gillette Company LLC**, Boston, MA (US)

D880,063 S * 3/2020 Ramm D28/48
D881,468 S * 4/2020 Goeder D28/48
D882,174 S * 4/2020 Goeder D28/48
D883,571 S * 5/2020 Psimadas D28/48

* cited by examiner

(72) Inventors: **Christopher Ramm**, North Attleboro, MA (US); **Robert Harold Johnson**, Hingham, MA (US)

Primary Examiner — Jennifer Rivard
(74) *Attorney, Agent, or Firm* — Kevin C. Johnson

(73) Assignee: **The Gillette Company LLC**, Boston, MA (US)

(57) **CLAIM**

The ornamental design for a handle for a shaving razor, as shown and described.

(**) Term: **15 Years**

DESCRIPTION

(21) Appl. No.: **29/704,732**

FIG. 1 is a perspective view of a design of a handle for a shaving razor of the present invention;
FIG. 2 is a front view thereof;
FIG. 3 is a back view thereof;
FIG. 4 is a right side view thereof;
FIG. 5 is a left side view thereof;
FIG. 6 is a top view thereof;
FIG. 7 is a bottom view thereof;
FIG. 8 is another perspective view thereof;
FIG. 9 is a perspective view of a design of a second embodiment of a handle for a shaving razor of the present invention;
FIG. 10 is a front view thereof;
FIG. 11 is a back view thereof;
FIG. 12 is a right side view thereof;
FIG. 13 is a left side view thereof;
FIG. 14 is a top view thereof;
FIG. 15 is a bottom view thereof; and,
FIG. 16 is another perspective view thereof.
The broken lines illustrate portions of the handle for a shaving razor and form no part of the claimed design.

(22) Filed: **Sep. 6, 2019**

(51) **LOC (13) Cl.** **28-03**

(52) **U.S. Cl.**
USPC **D28/48**

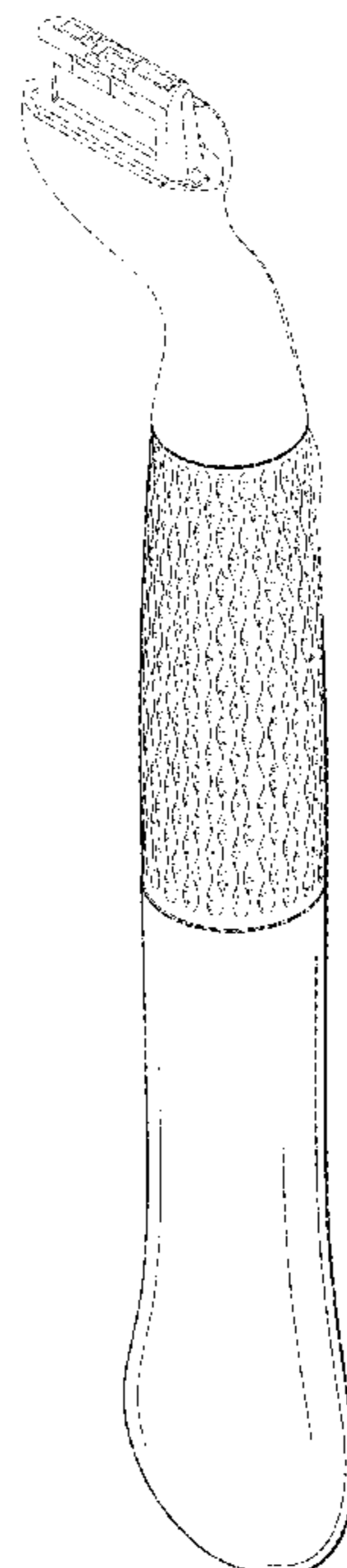
(58) **Field of Classification Search**
USPC D28/46–48
CPC B26B 21/00–06; B26B 21/08–38; B26B 21/44–50; B26B 21/405–4056; B26B 21/52–528
See application file for complete search history.

(56) **References Cited**

U.S. PATENT DOCUMENTS

D736,466 S * 8/2015 Cataudella D28/48
D789,609 S * 6/2017 Kong D28/48
D792,025 S * 7/2017 Faktorovich D28/48
D842,542 S * 3/2019 Ramm D28/48
D842,543 S * 3/2019 Ramm D28/48
D842,544 S * 3/2019 Ramm D28/48
D863,681 S * 10/2019 Jin D28/48
D864,482 S * 10/2019 Goeder D28/48

1 Claim, 8 Drawing Sheets



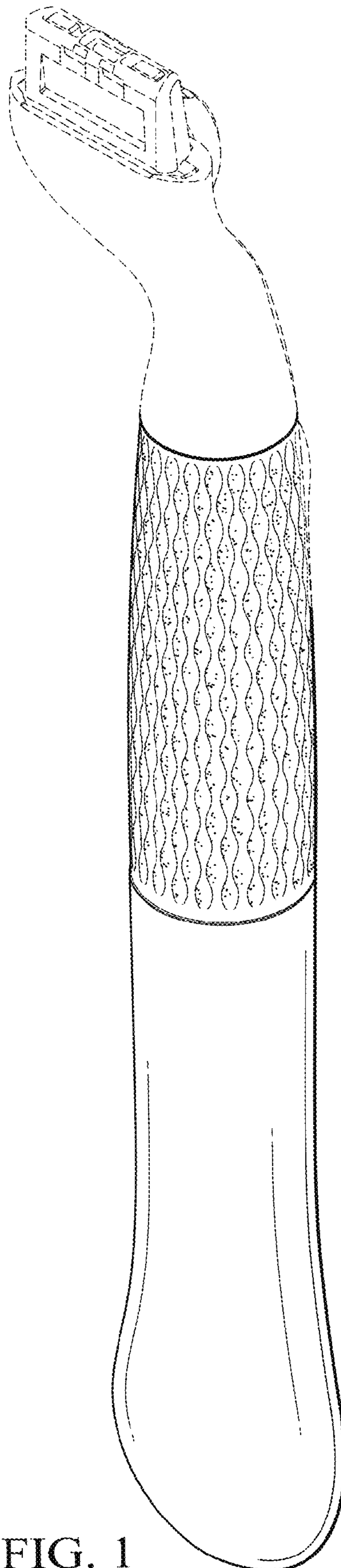


FIG. 1

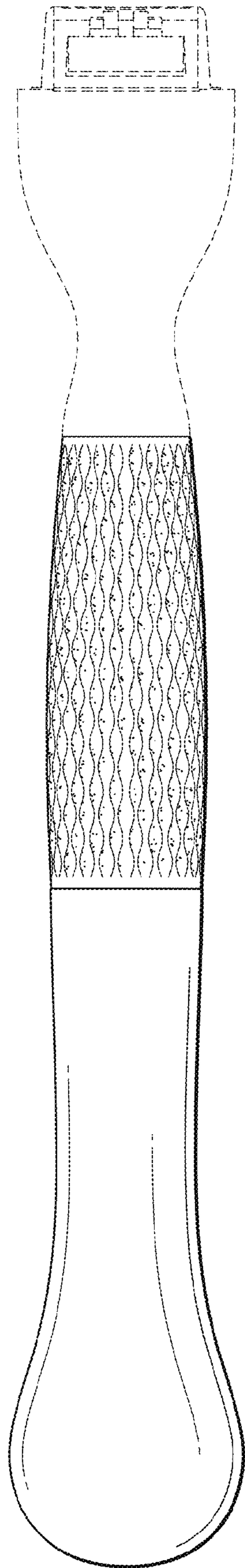


FIG. 2

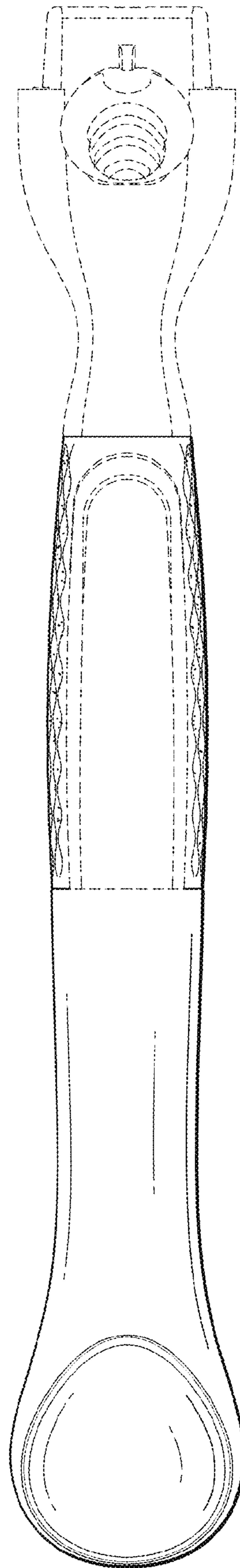


FIG. 3

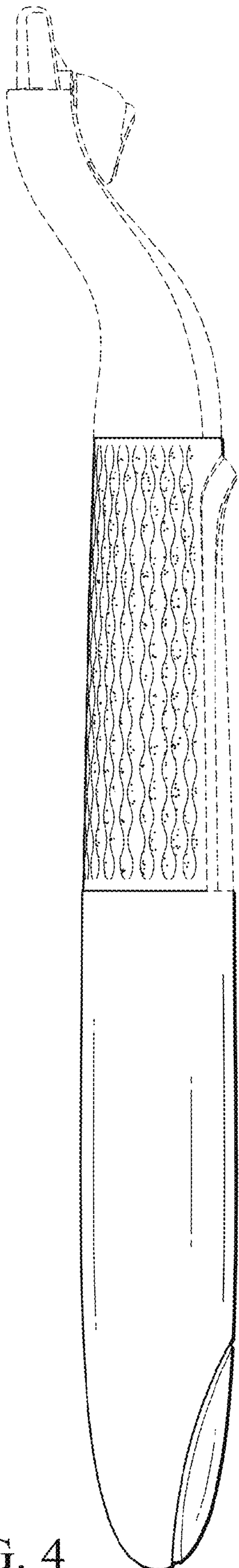


FIG. 4

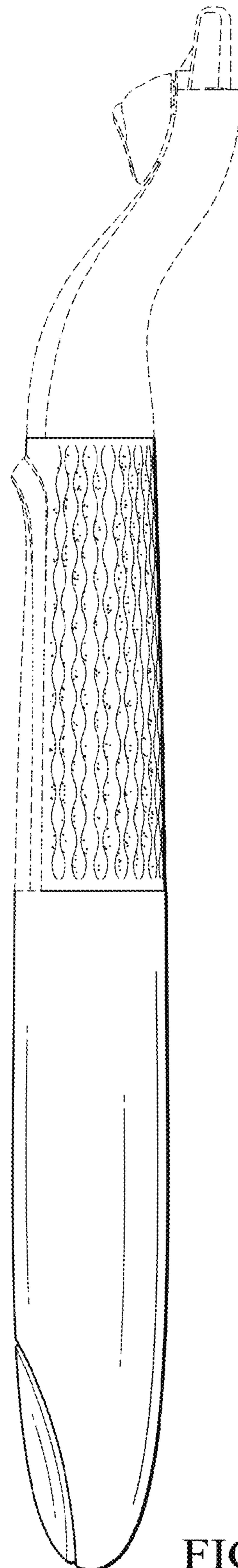


FIG. 5

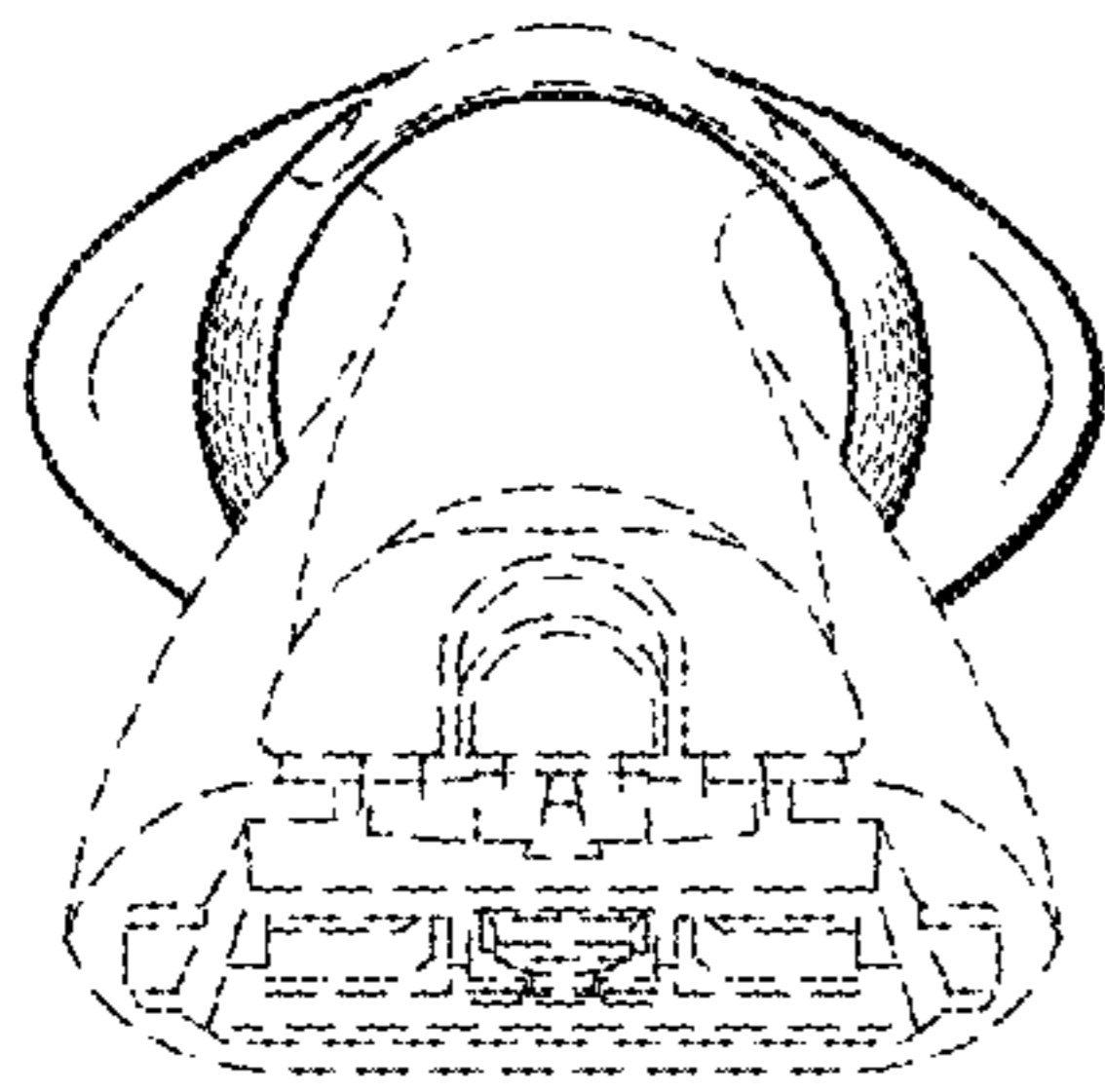


FIG. 6

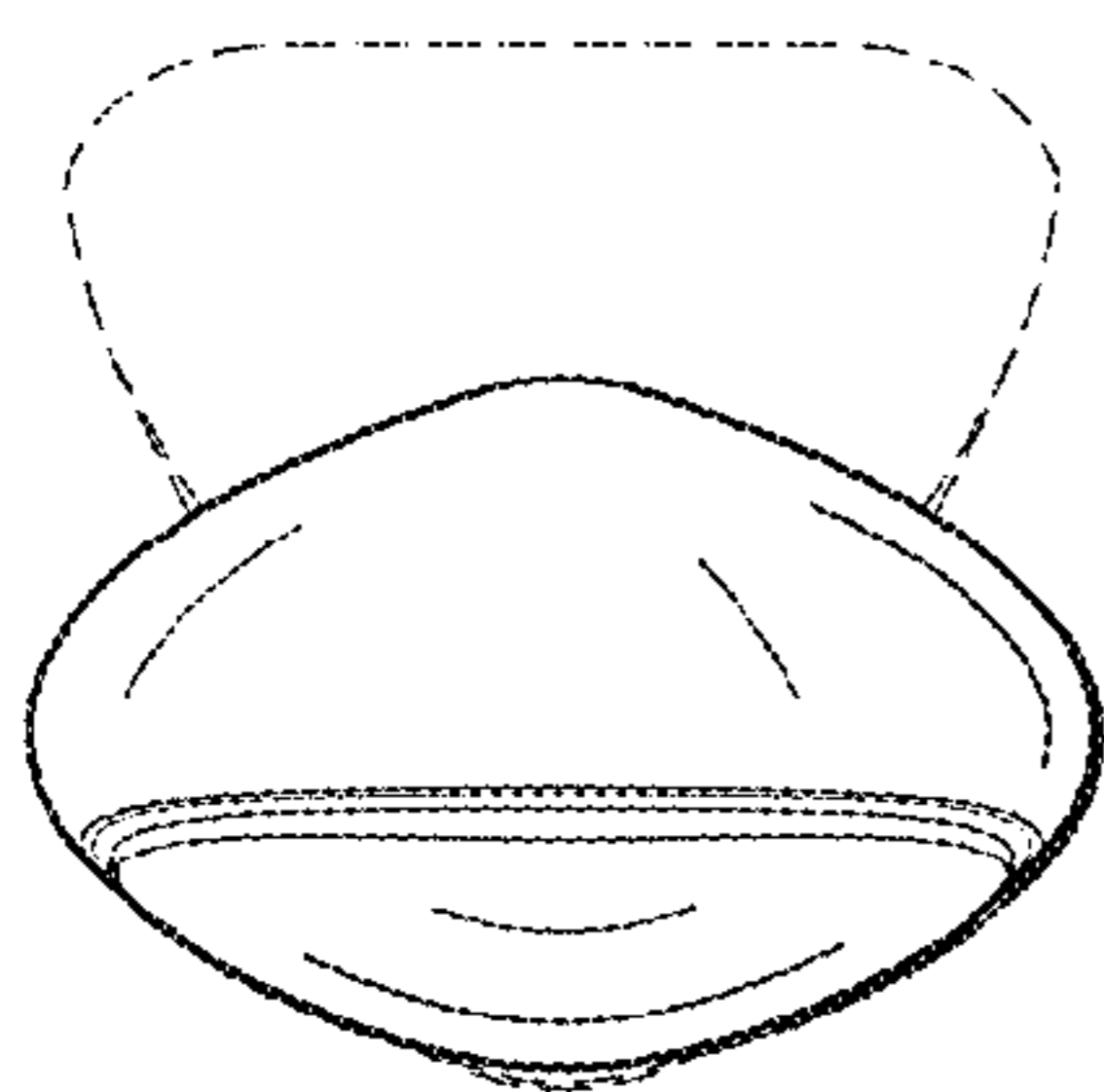


FIG. 7

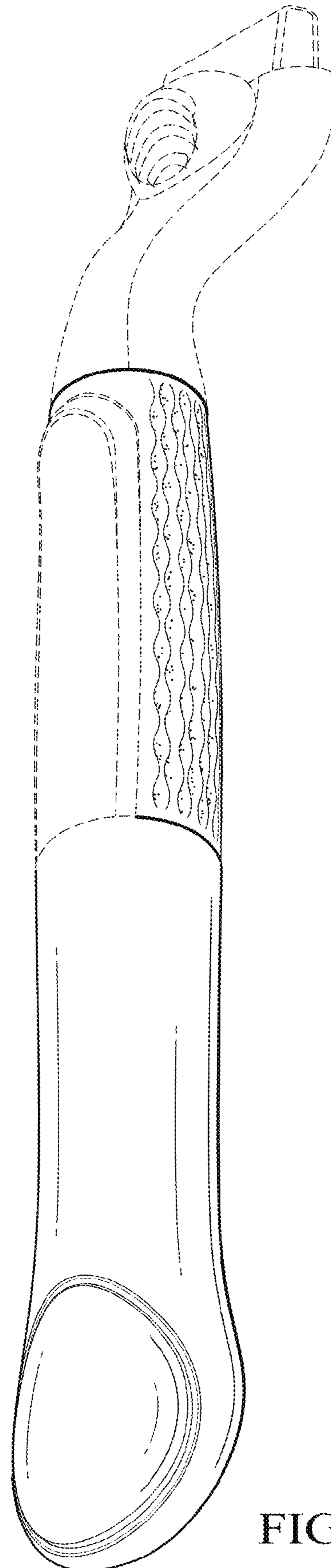


FIG. 8

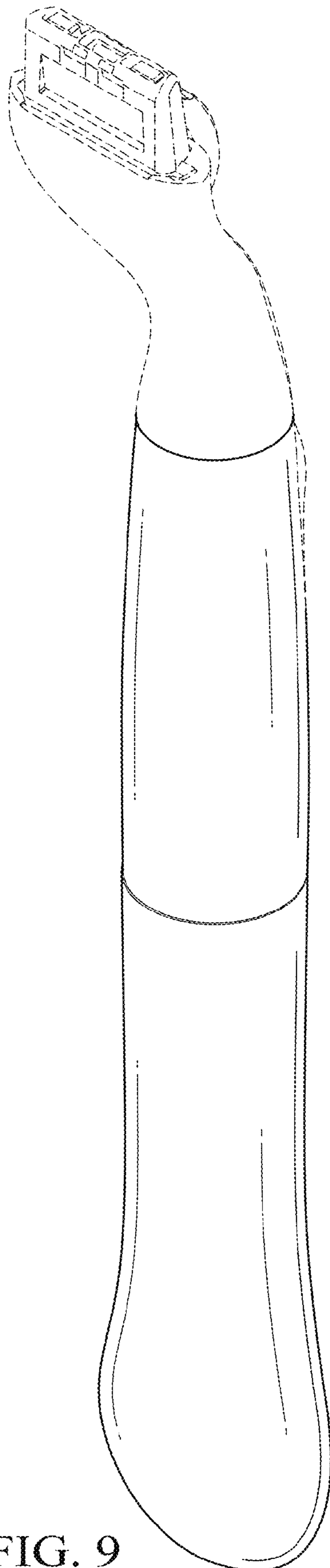


FIG. 9

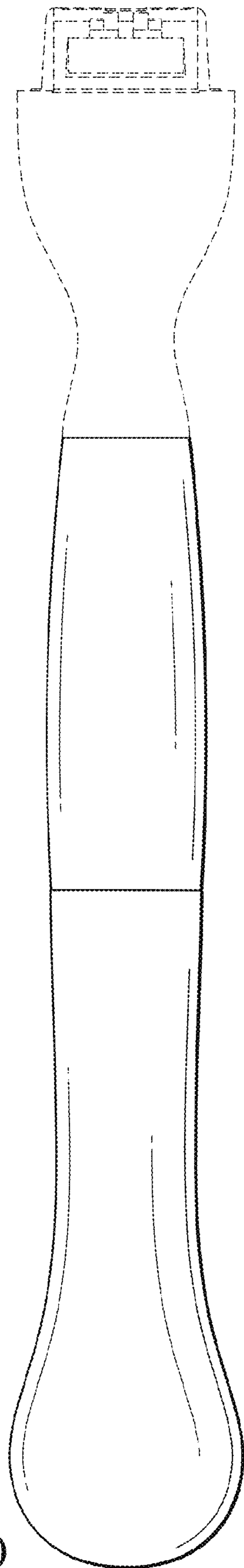


FIG. 10

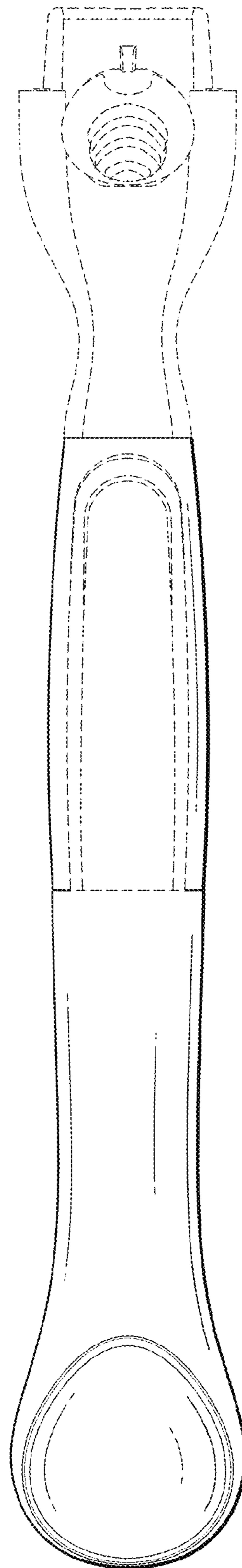


FIG. 11

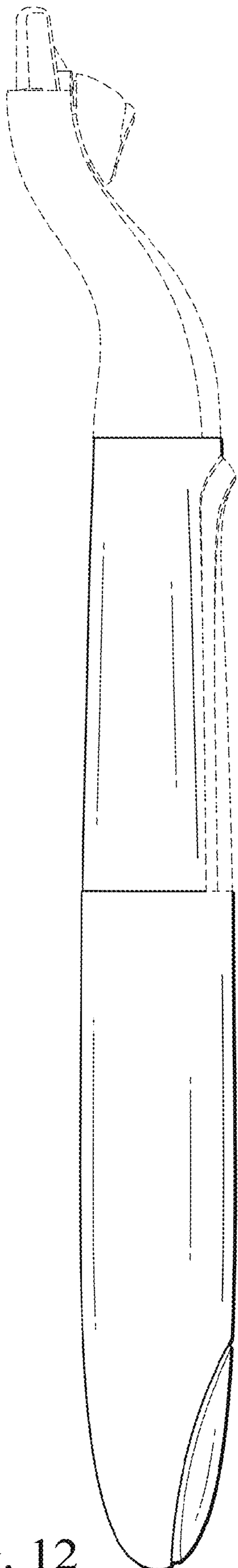


FIG. 12

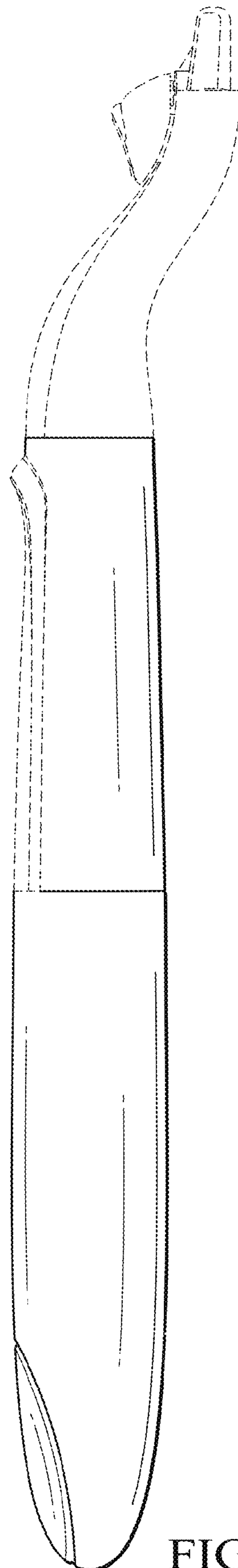


FIG. 13

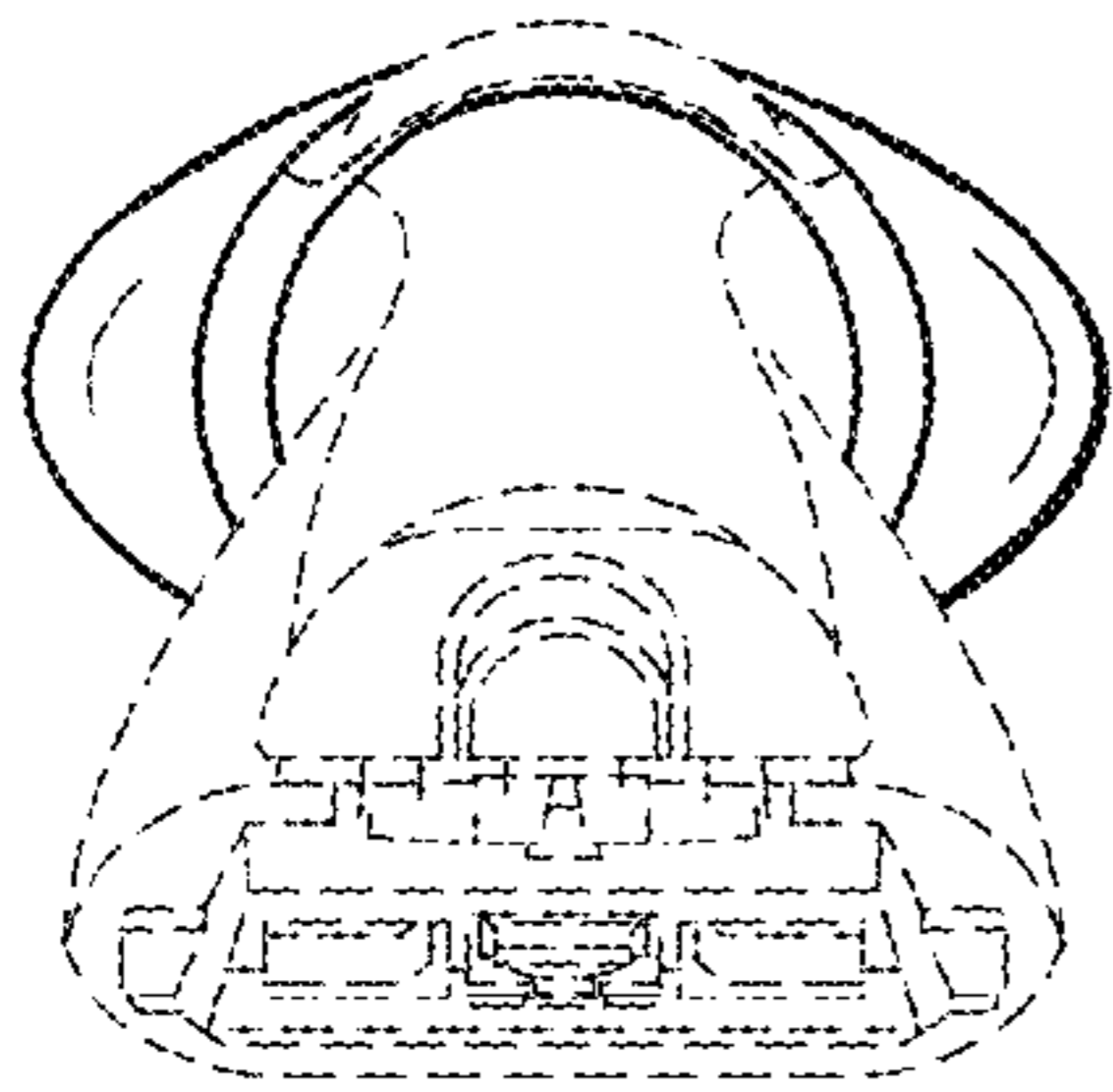


FIG. 14

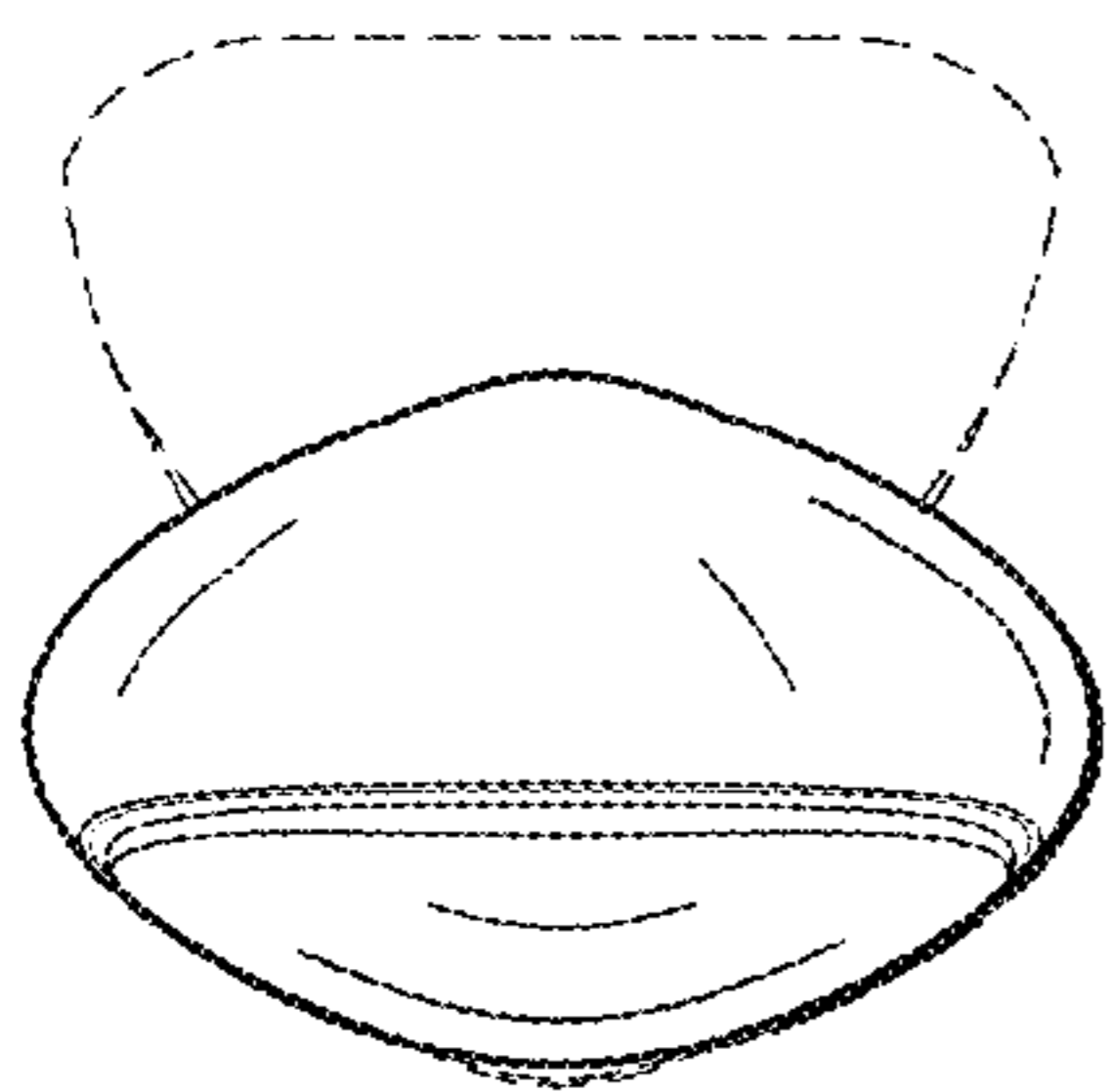


FIG. 15

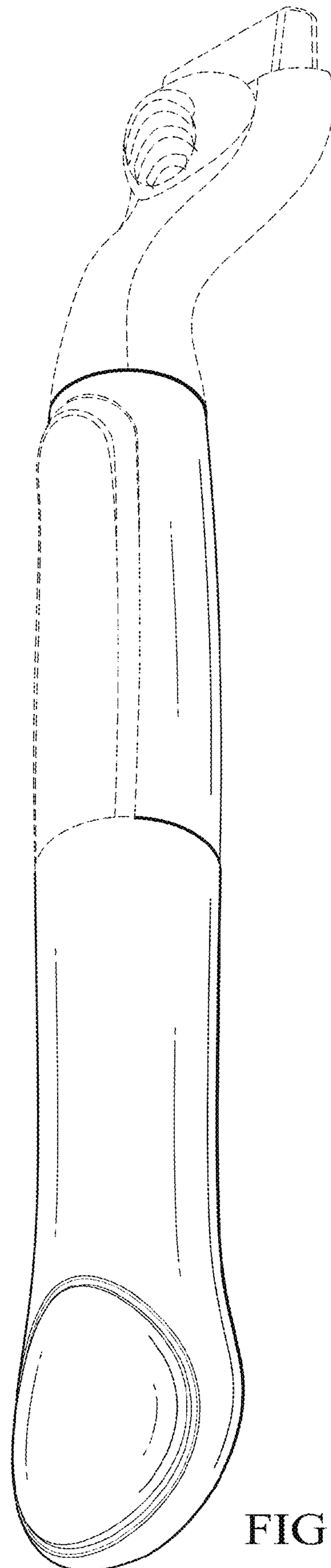


FIG. 16