



US00D910915S

(12) **United States Design Patent**  
**Shin et al.**

(10) **Patent No.:** **US D910,915 S**  
(45) **Date of Patent:** **\*\* Feb. 16, 2021**

(54) **HAIR DRYER**

(71) Applicant: **LG ELECTRONICS INC.**, Seoul (KR)

(72) Inventors: **Daekee Shin**, Seoul (KR); **Hophil Lee**, Seoul (KR)

(73) Assignee: **LG ELECTRONICS INC.**, Seoul (KR)

(\*\*) Term: **15 Years**

(21) Appl. No.: **29/699,989**

(22) Filed: **Jul. 30, 2019**

(30) **Foreign Application Priority Data**

Jan. 31, 2019 (KR) ..... 30-2019-0005129

(51) **LOC (13) Cl.** ..... **28-03**

(52) **U.S. Cl.**  
USPC ..... **D28/13**

(58) **Field of Classification Search**  
USPC ..... D28/12-19  
CPC ..... A45D 20/04; A45D 20/06; A45D 20/08;  
A45D 20/10; A45D 20/128  
See application file for complete search history.

(56) **References Cited**

**U.S. PATENT DOCUMENTS**

D716,492 S \* 10/2014 Dyson ..... A45D 20/12  
D28/13  
D729,979 S \* 5/2015 Gammack ..... D28/13

D731,117 S \* 6/2015 Bates ..... D28/13  
D741,544 S \* 10/2015 Gammack ..... D28/13  
D757,361 S \* 5/2016 Gammack ..... D28/13  
D757,362 S \* 5/2016 Dyson ..... D28/13  
D782,733 S \* 3/2017 Smith ..... D28/13  
D791,407 S \* 7/2017 Smith ..... D28/13  
D850,716 S \* 6/2019 Jin ..... D28/13  
D872,358 S \* 1/2020 Liao ..... D28/13

\* cited by examiner

*Primary Examiner* — Zenia I Bennett

(74) *Attorney, Agent, or Firm* — Birch, Stewart, Kolasch & Birch, LLP

(57) **CLAIM**

The ornamental design for a hair dryer, as shown and described.

**DESCRIPTION**

FIG. 1 is a front perspective view of the hair dryer showing our new design;  
FIG. 2 is a front view thereof;  
FIG. 3 is a rear view thereof;  
FIG. 4 is a left side view thereof where the right side view is a mirror image;  
FIG. 5 is a top plan view thereof;  
FIG. 6 is a bottom plan view thereof;  
FIG. 7 is a back perspective view thereof; and,  
FIG. 8 is a reference view showing the state of use in which the display part is operated.  
The broken lines depict portions of the hair dryer that form no part of the claimed design.

**1 Claim, 8 Drawing Sheets**

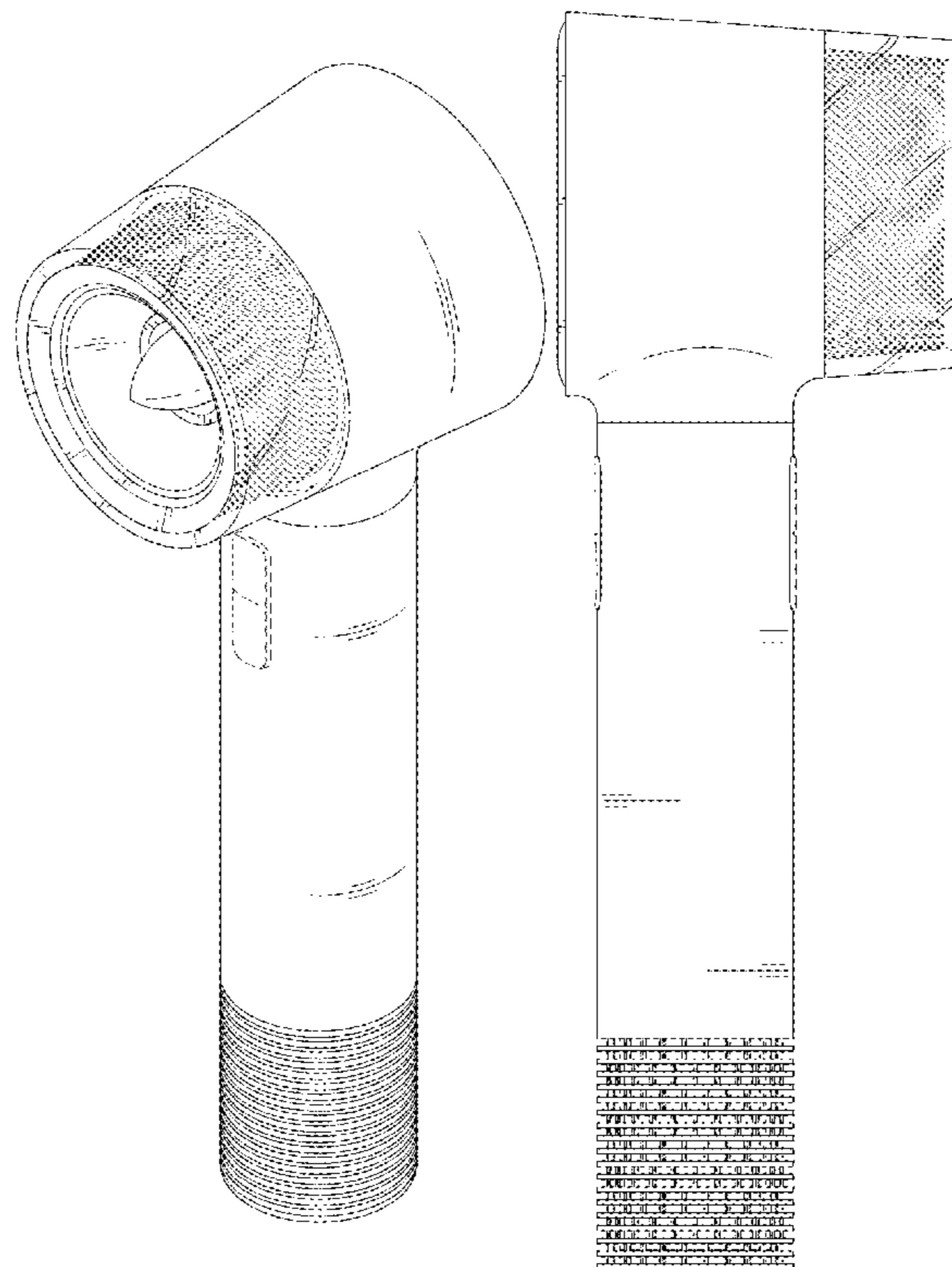


FIG. 1

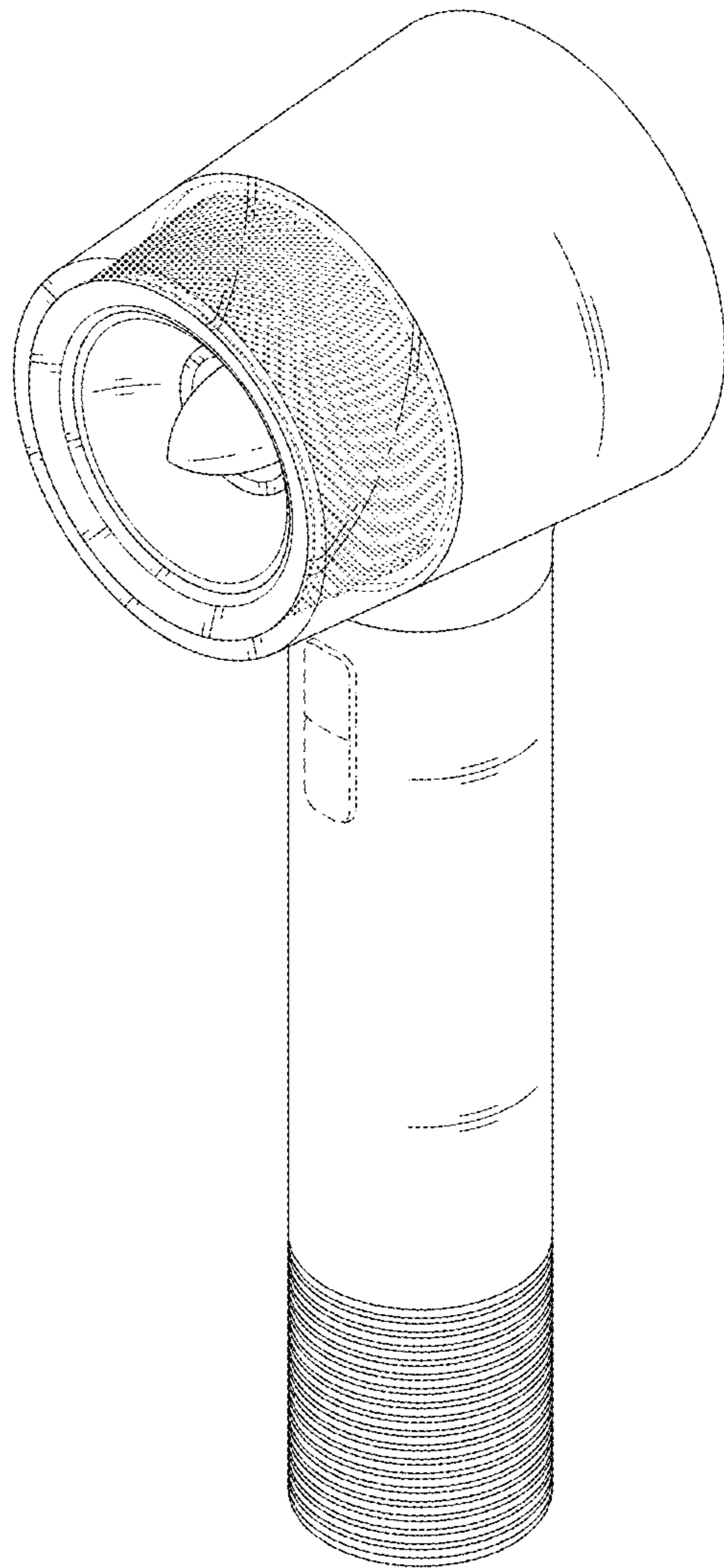


FIG. 2

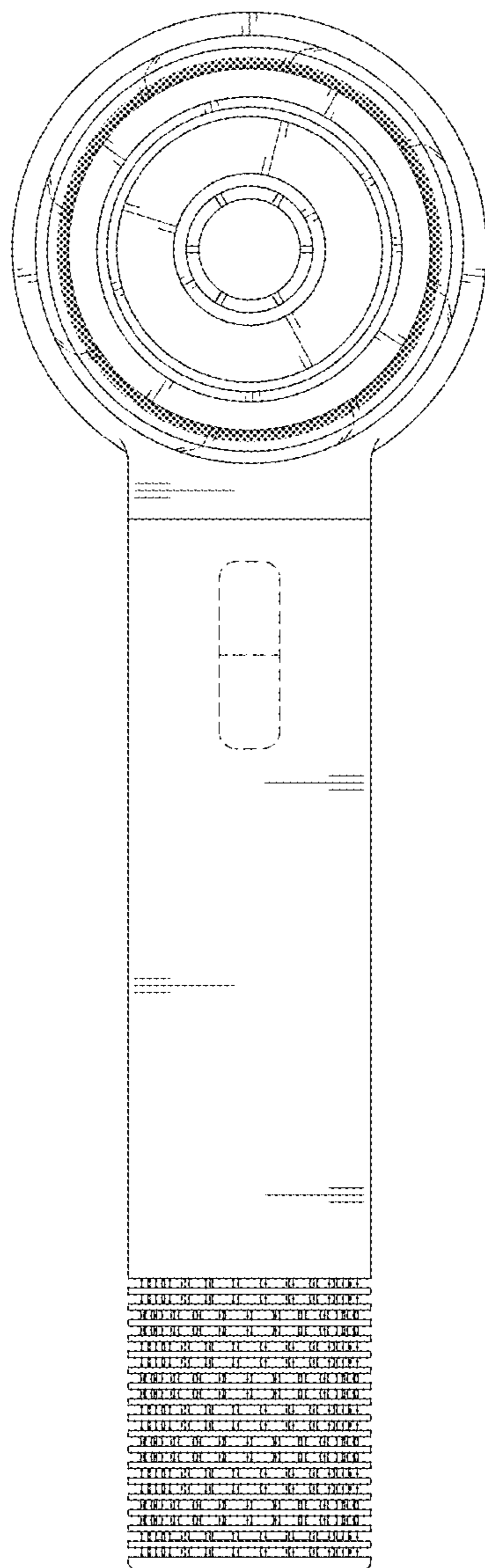


FIG. 3

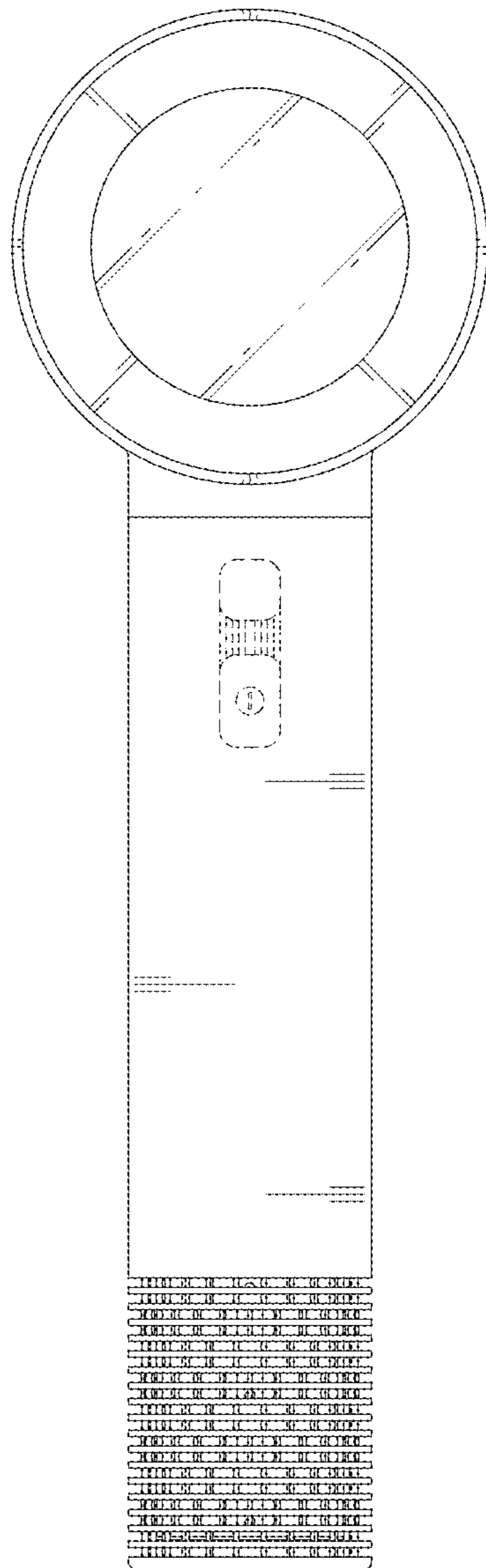


FIG. 4

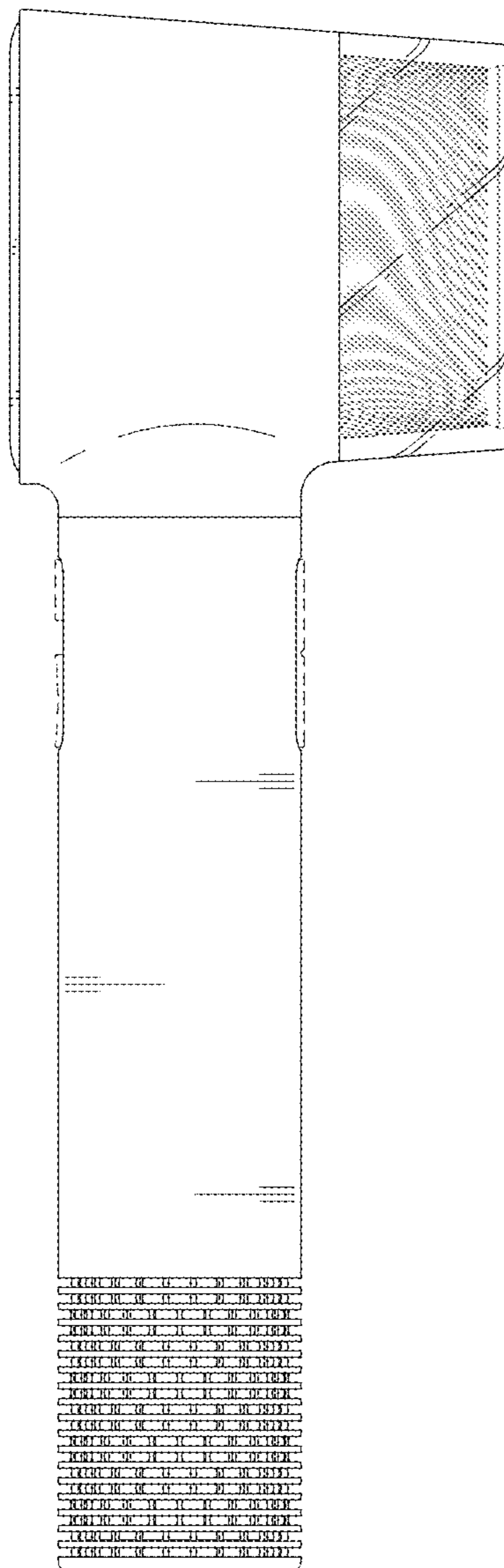


FIG. 5

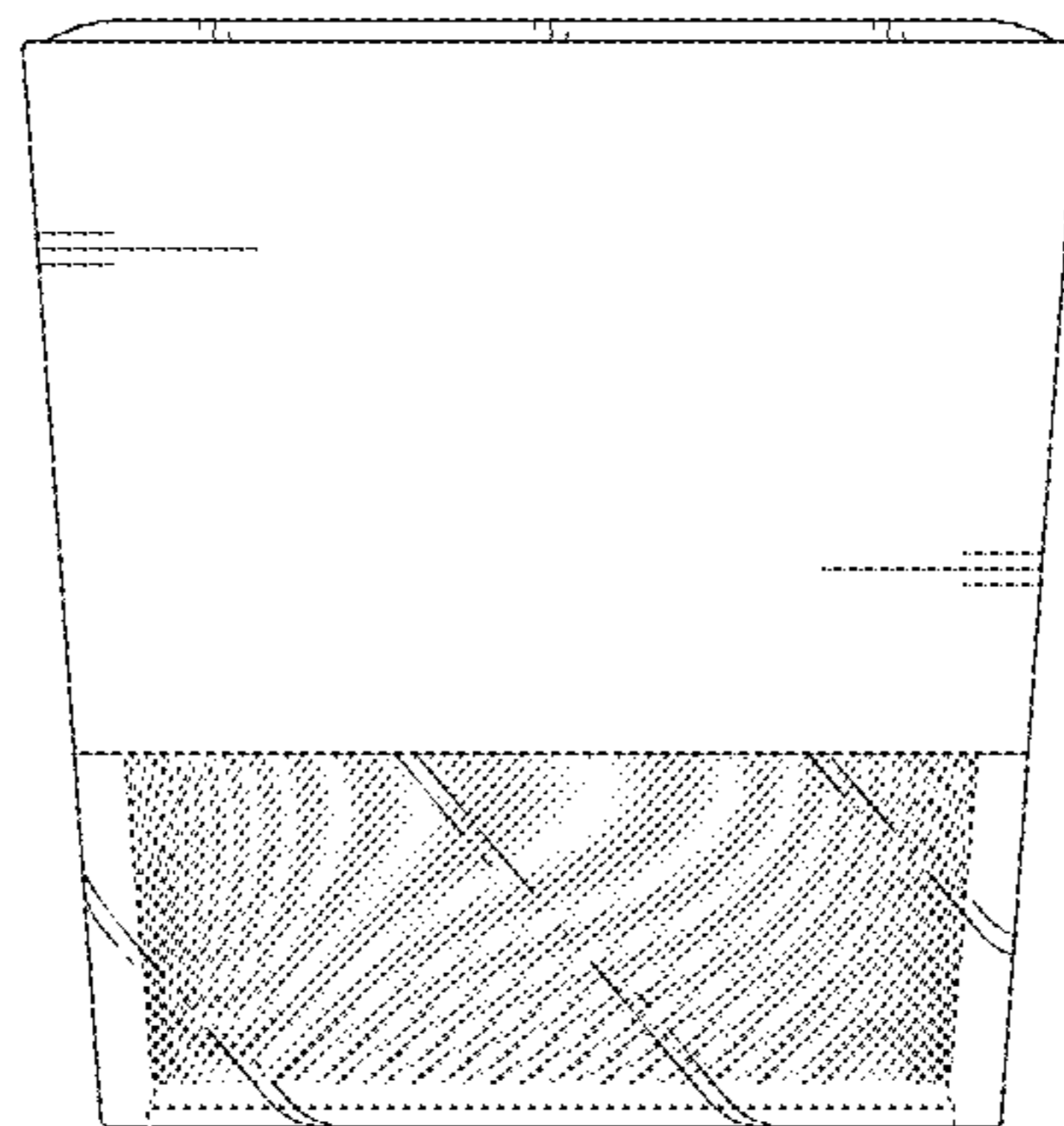


FIG. 6

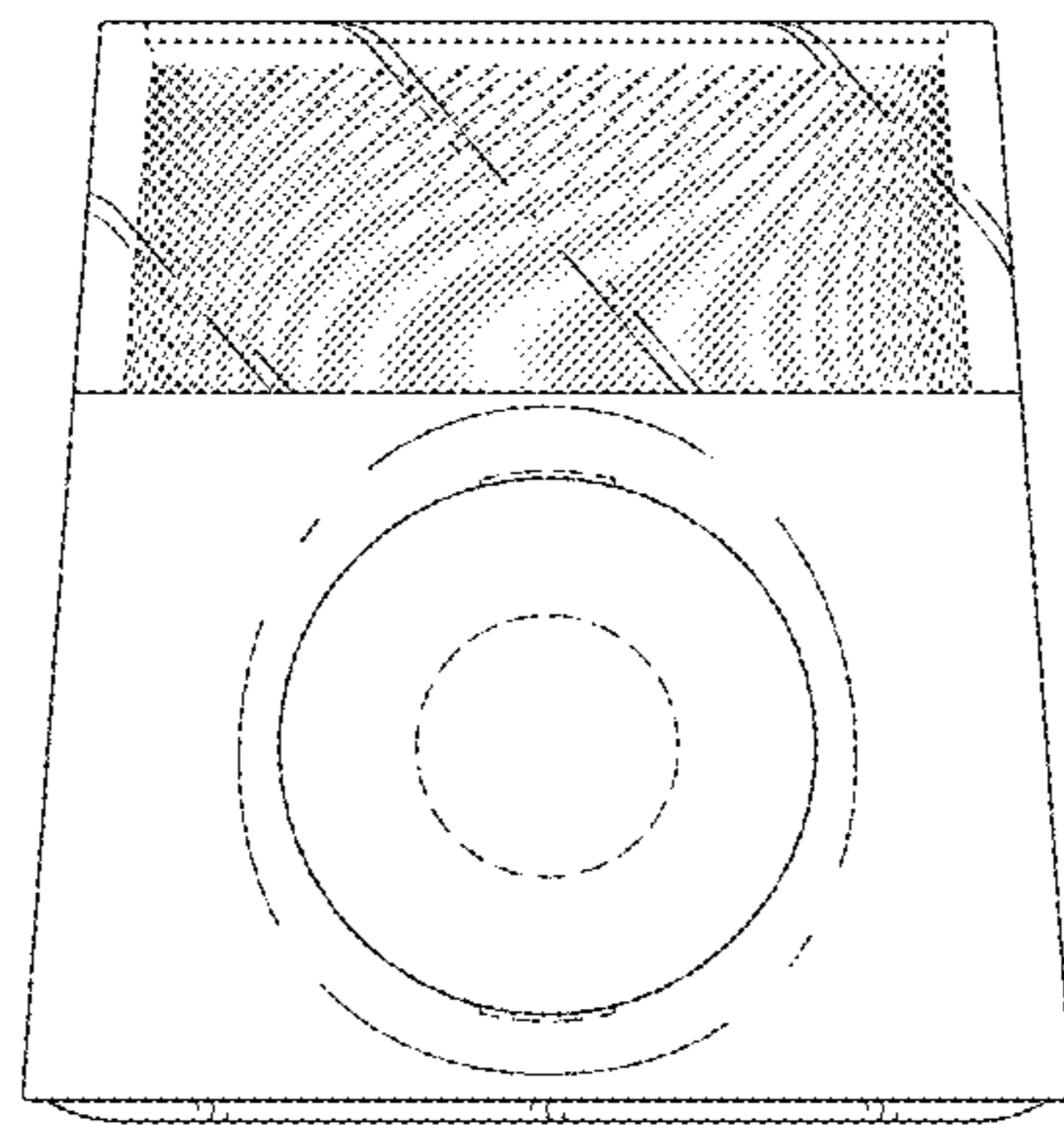


FIG. 7

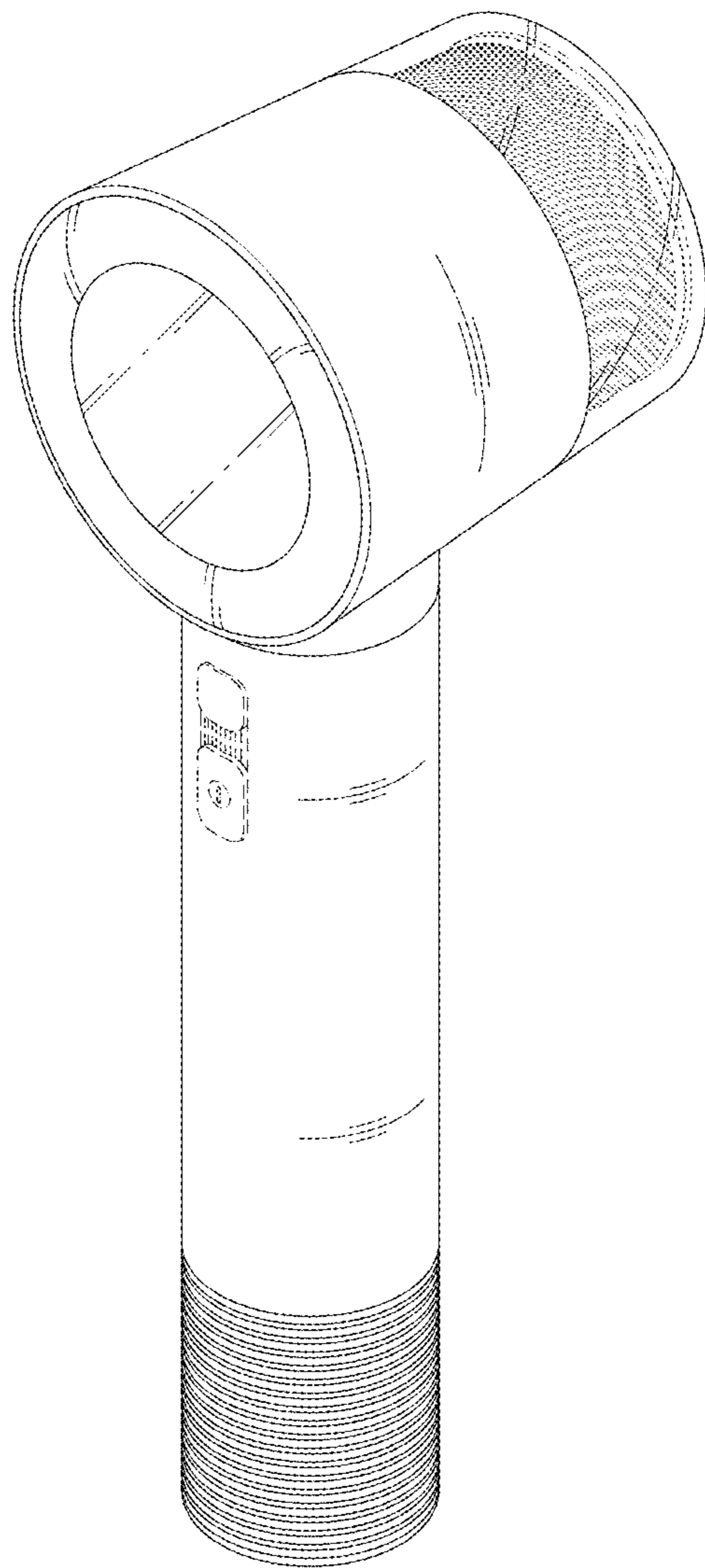




FIG. 8

