



US00D910912S

(12) **United States Design Patent** (10) **Patent No.:** **US D910,912 S**
Slate et al. (45) **Date of Patent:** **** Feb. 16, 2021**

(54) **HUMIDOR**
(71) Applicants: **Michael Slate**, Indianapolis, IN (US);
Ian Winston Scott Bennett,
Indianapolis, IN (US)
(72) Inventors: **Michael Slate**, Indianapolis, IN (US);
Ian Winston Scott Bennett,
Indianapolis, IN (US)
(**) Term: **15 Years**
(21) Appl. No.: **29/699,702**
(22) Filed: **Jul. 29, 2019**
(51) **LOC (13) Cl.** **27-06**
(52) **U.S. Cl.**
USPC **D27/189**
(58) **Field of Classification Search**
USPC D27/127, 186-189, 183, 172; D3/295,
D3/294, 201, 203.1, 205, 211; D23/358
CPC A24F 25/02; A24F 25/00
See application file for complete search history.

D761,023 S * 7/2016 Tramontana D3/294
D774,173 S * 12/2016 Engberg D23/364
D788,462 S * 6/2017 Zhu D3/294
D809,298 S * 2/2018 Zhu D3/294
D832,696 S * 11/2018 Balanevsky D9/423
D839,585 S * 2/2019 Beilman D3/205
D899,253 S * 10/2020 Natsume D9/456
2020/0037661 A1 * 2/2020 Slate A24F 25/02

OTHER PUBLICATIONS

Jewelry Case by: ORE International found on line Oct. 5, 2020
<https://www.lowes.com/pd/REe-International-8-In-Long-Tempered-Glass-and-Leather-Jewelry-Case-Watch-Display-Brown/1001135810>.*

* cited by examiner

Primary Examiner — Marissa J Cash
Assistant Examiner — Rebecca Tsehaye

(57) **CLAIM**

The ornamental design for a humidor, as shown and described.

DESCRIPTION

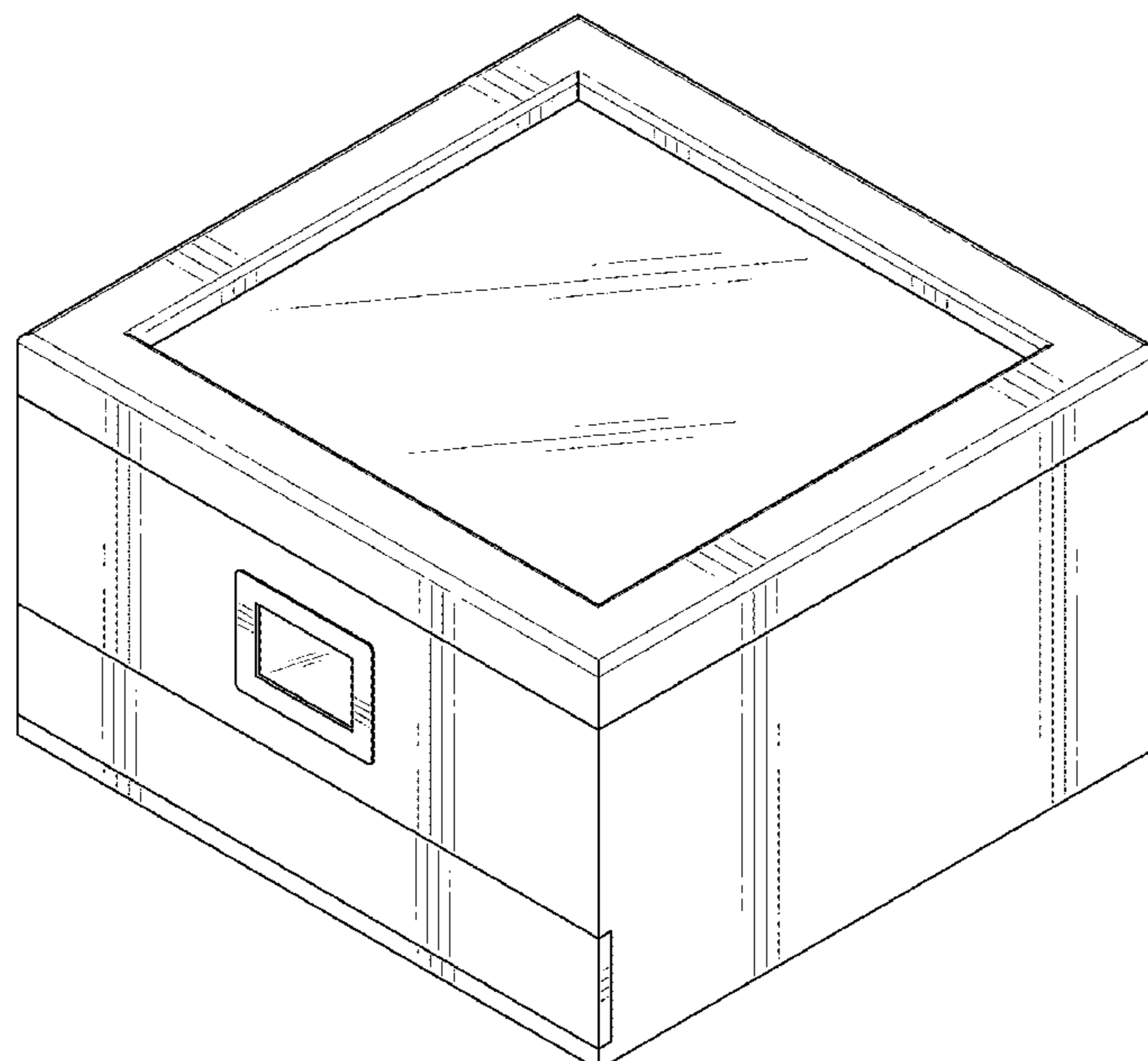
FIG. 1 is a front perspective view of a humidor in a closed state, illustrating our new design;
FIG. 2 is a front view thereof;
FIG. 3 is a rear view thereof;
FIG. 4 is a left side view thereof;
FIG. 5 is a right side view thereof;
FIG. 6 is a top view thereof;
FIG. 7 is a bottom view thereof; and,
FIG. 8 is a front perspective view of the humidor of FIG. 1 in an opened state.
The broken lines in the drawings depict portions of the humidor that form no part of the claimed design.

1 Claim, 8 Drawing Sheets

(56) **References Cited**

U.S. PATENT DOCUMENTS

2,680,048 A * 6/1954 McDonald A23L 3/3418
312/31.1
D341,248 S * 11/1993 Kataoka D16/249
5,607,051 A * 3/1997 Espinosa B65D 85/12
206/213.1
D399,598 S * 10/1998 Perkins D27/189
D409,329 S * 5/1999 Bucher D27/186
D437,779 S * 2/2001 Randall D9/418
D442,780 S * 5/2001 Hiernard D3/294
D467,731 S * 12/2002 Pratt D3/273
D597,834 S * 8/2009 Mittelstaedt D3/294
D704,442 S * 5/2014 Chen D3/294
D716,649 S * 11/2014 McAdam D9/418
D740,562 S * 10/2015 Bonilla D3/294



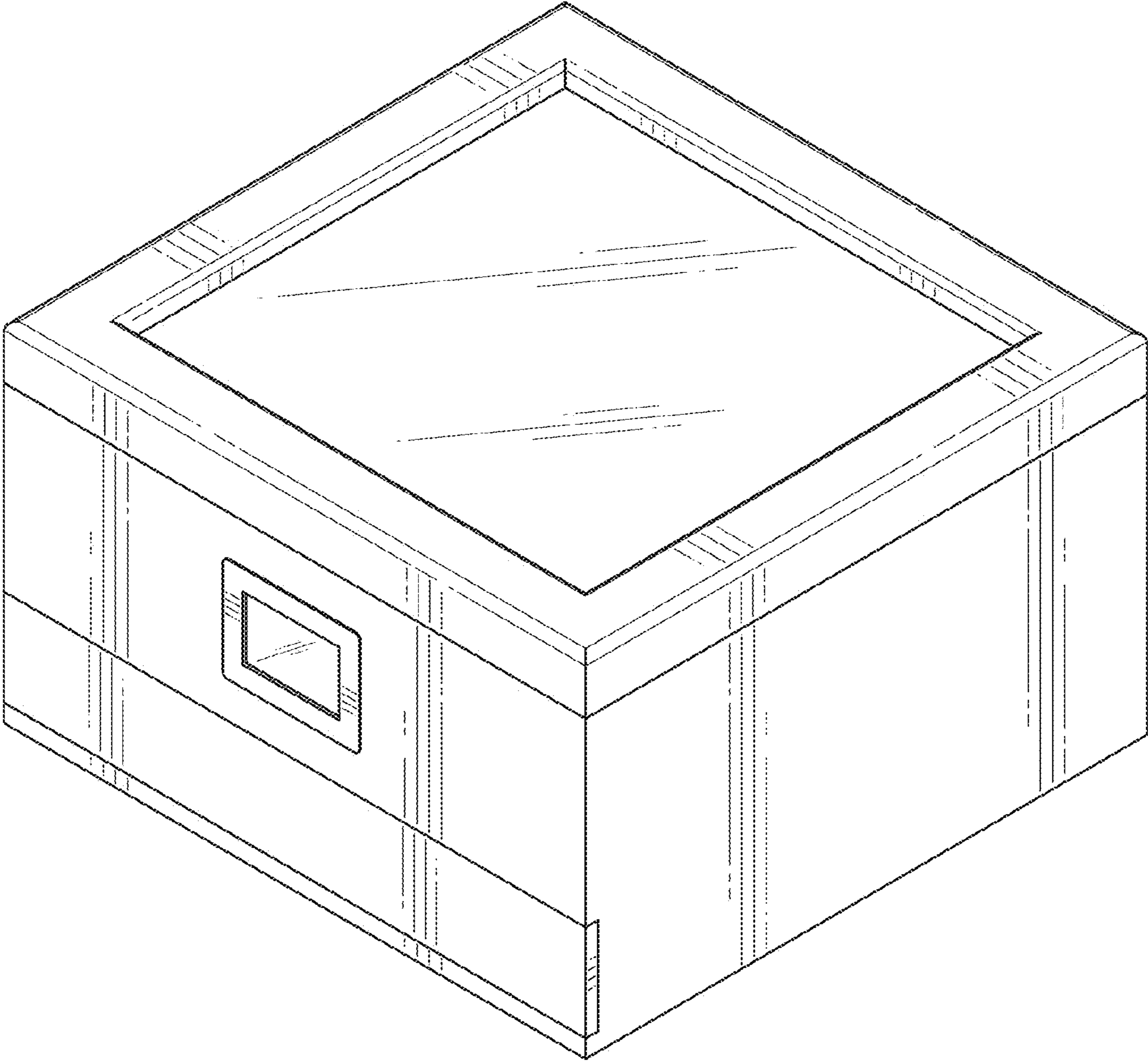


FIG. 1

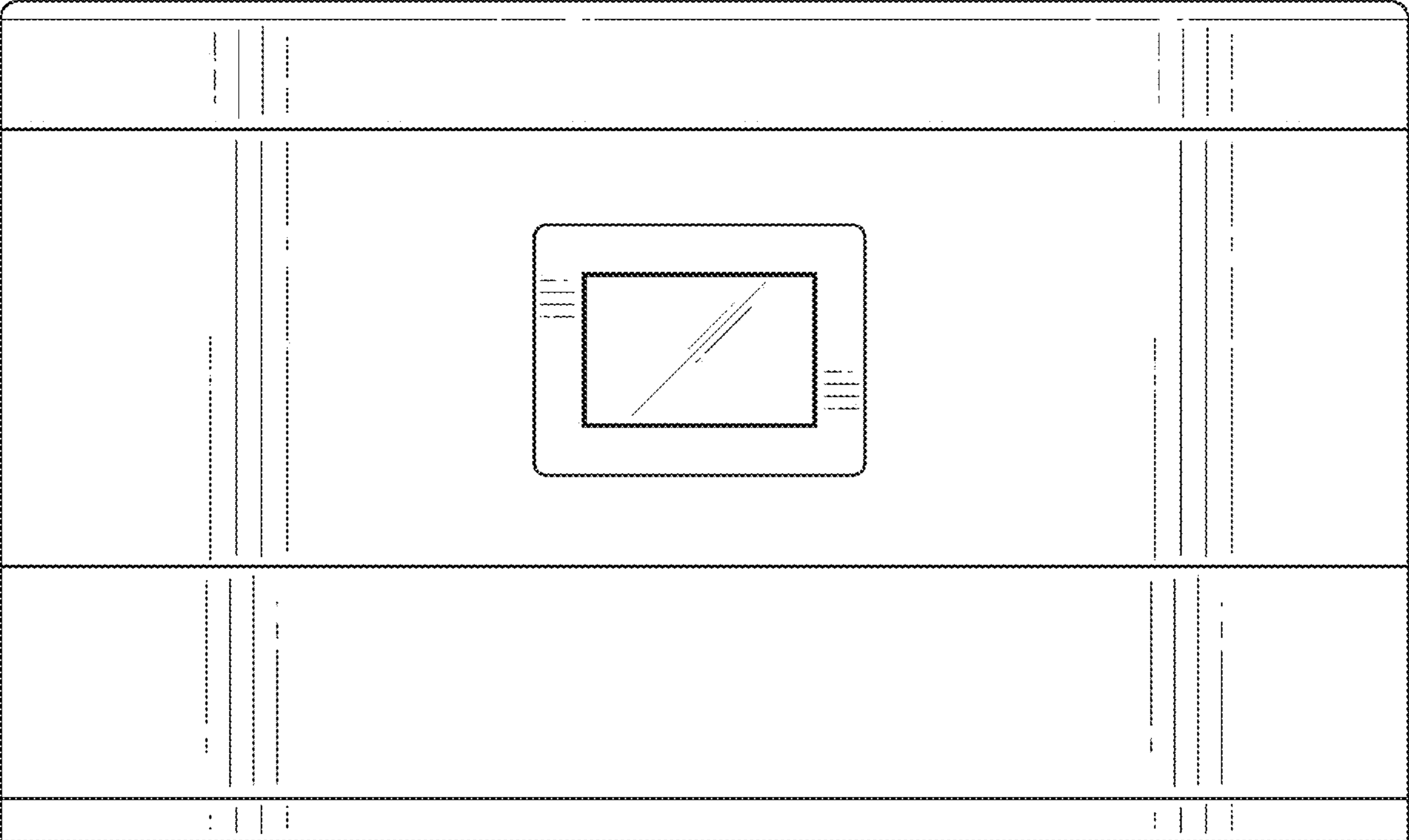


FIG. 2

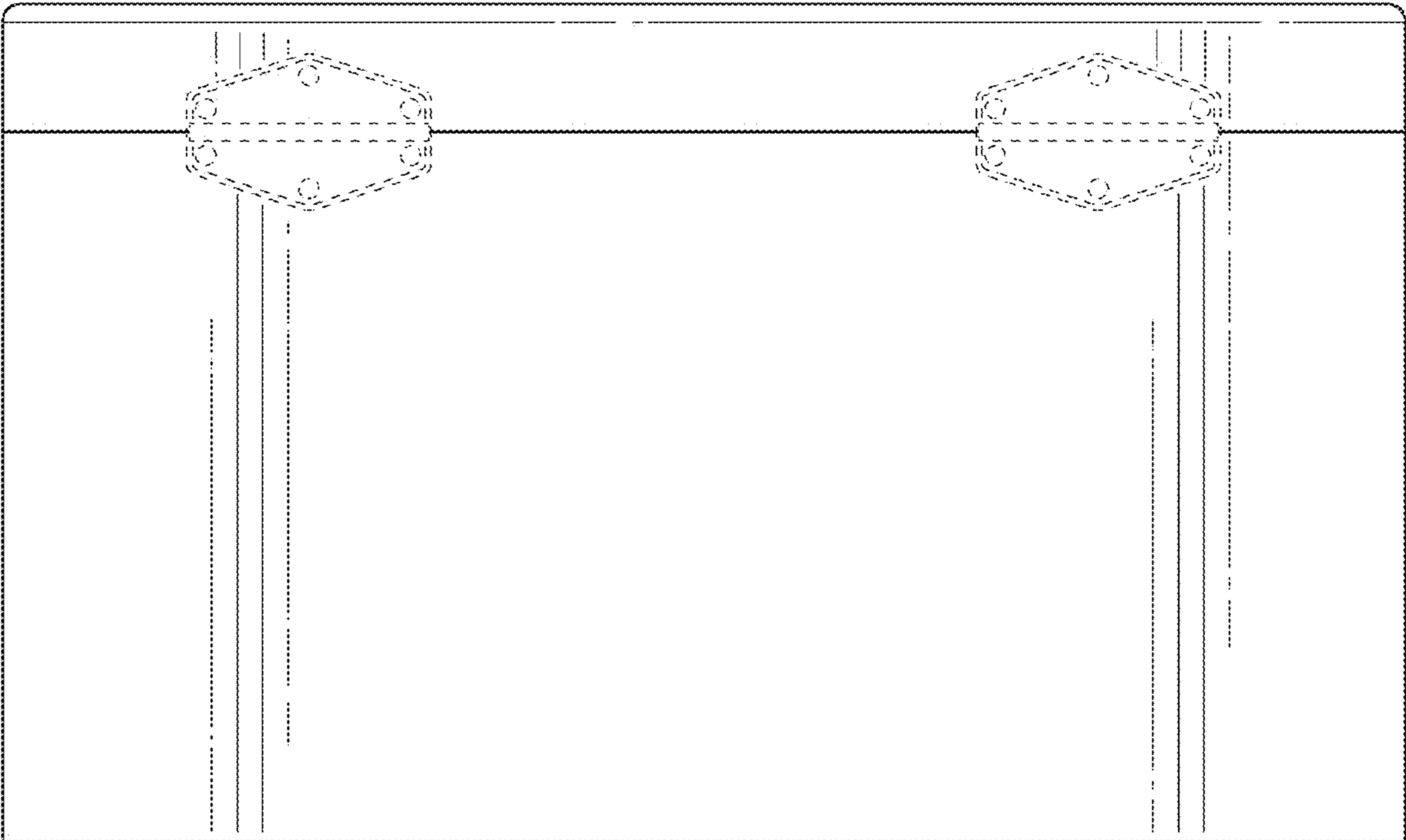


FIG. 3



FIG. 4

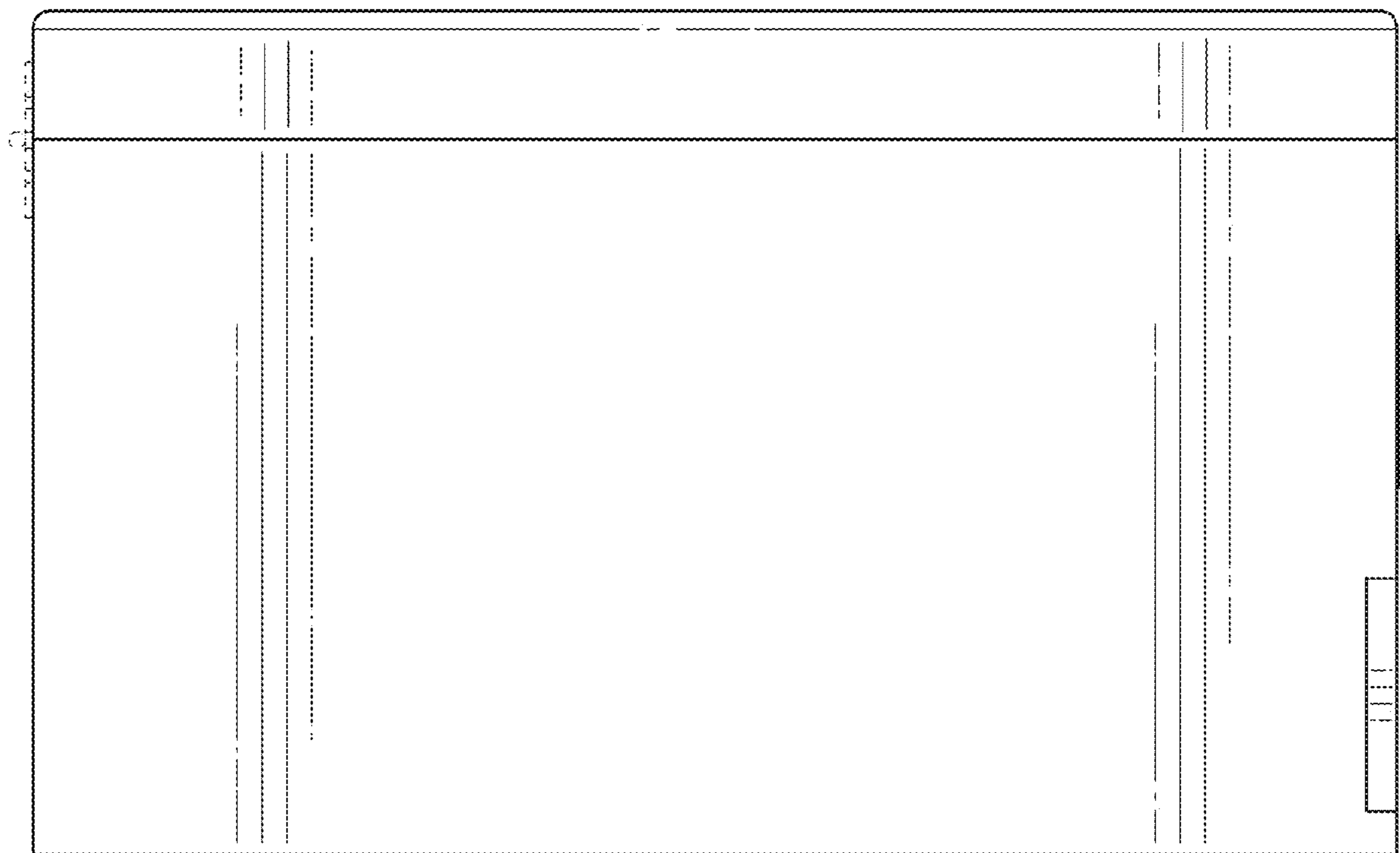


FIG. 5

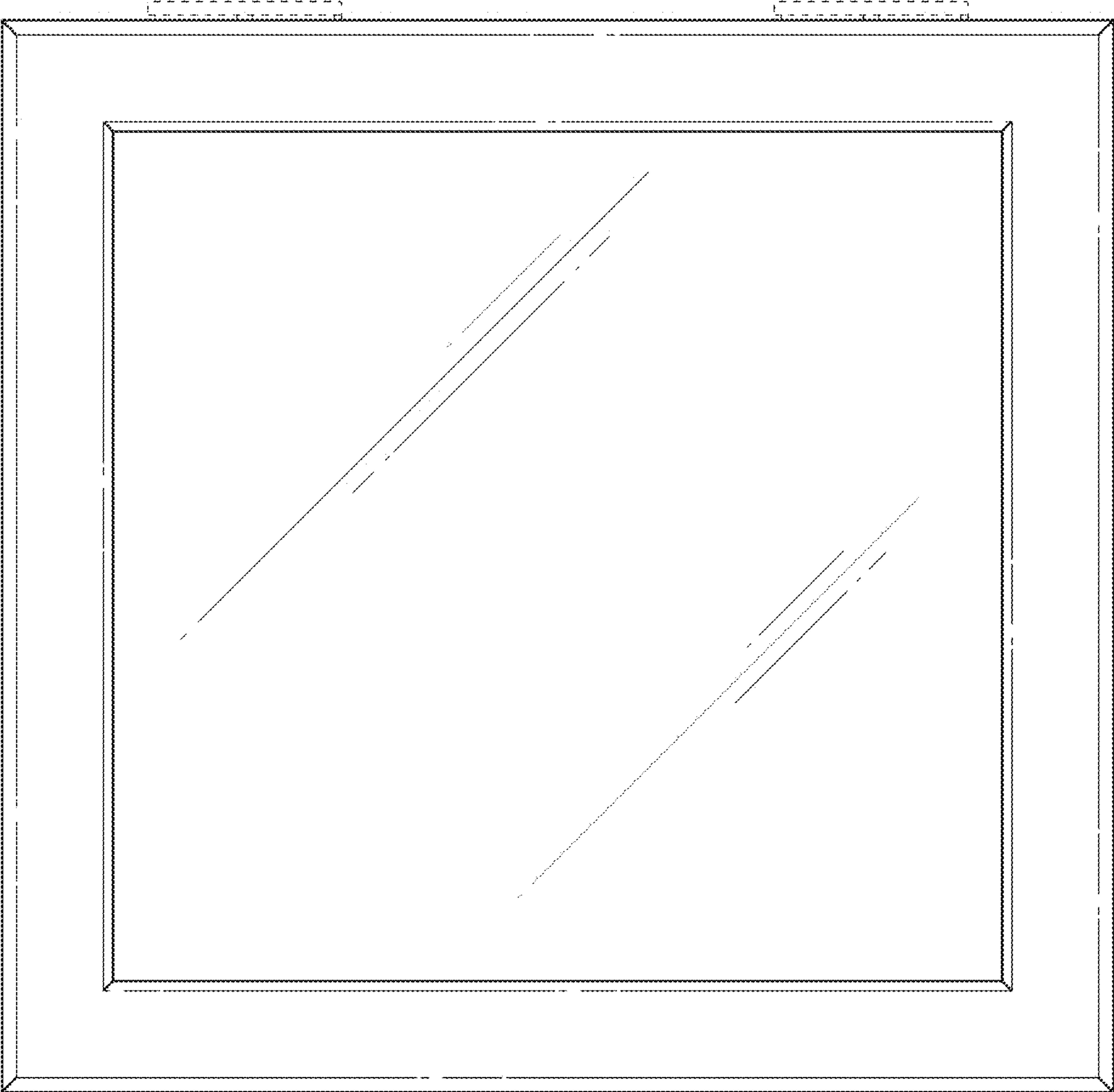


FIG. 6

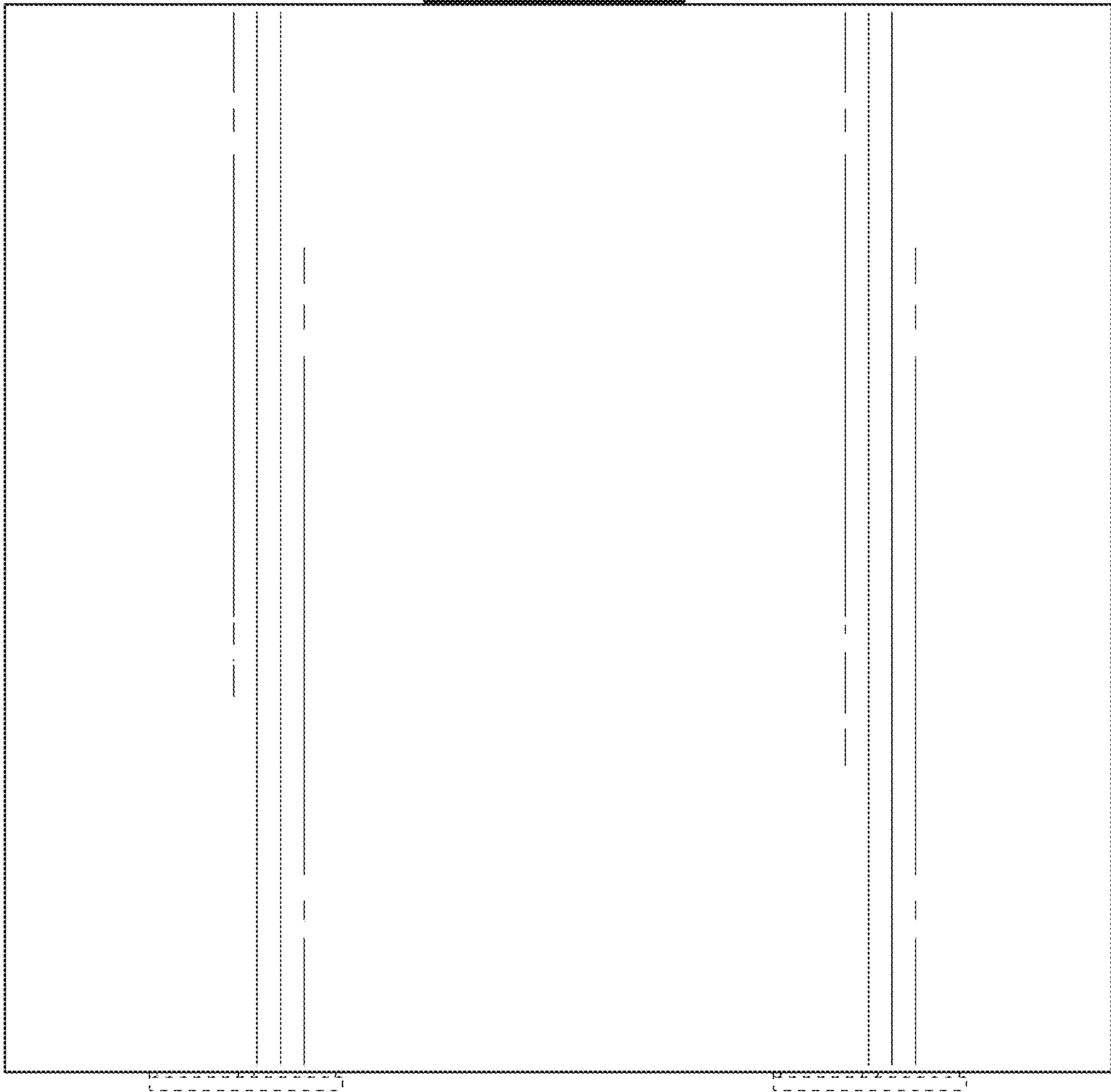


FIG. 7

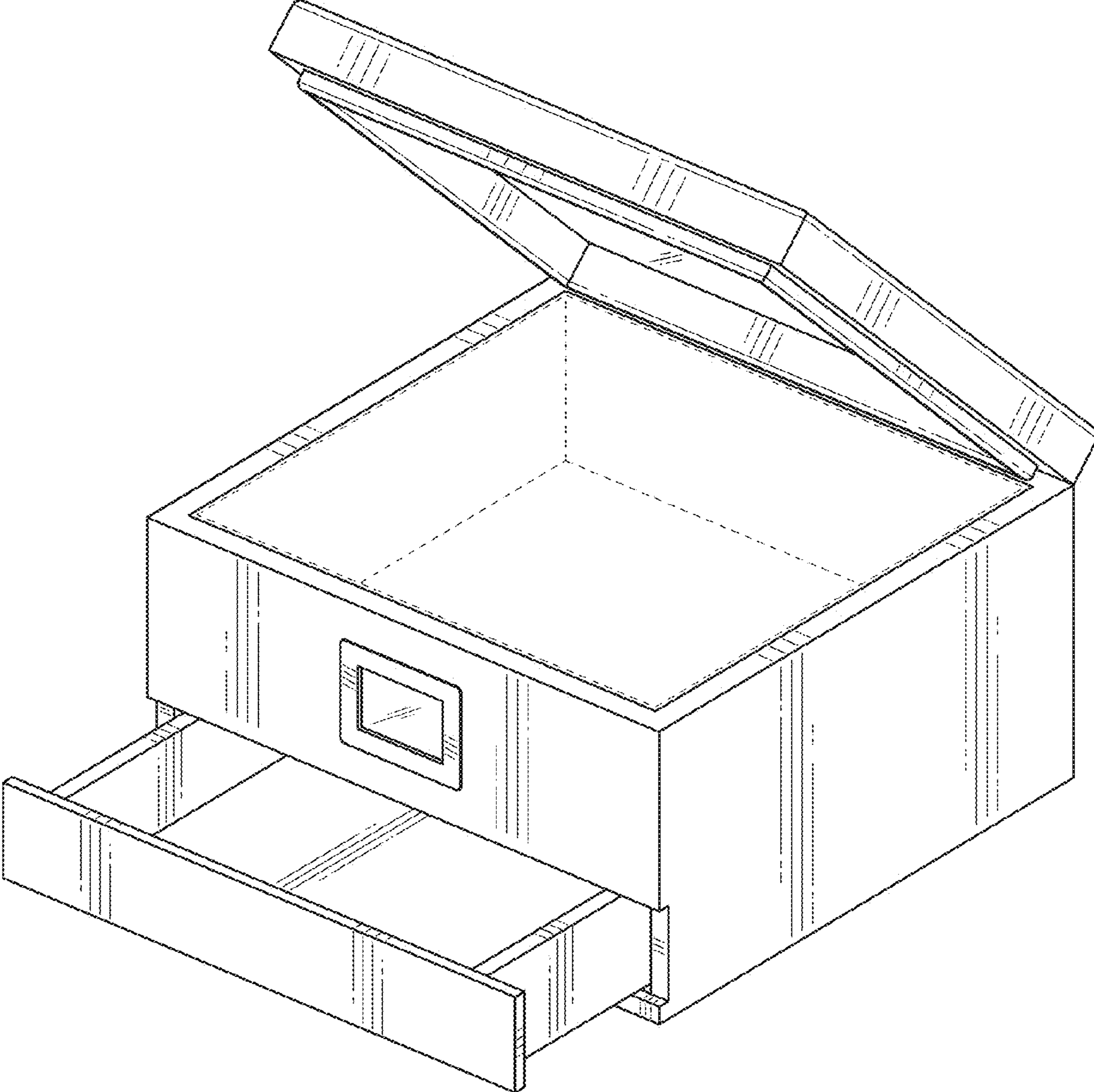


FIG. 8