



US00D910911S

(12) **United States Design Patent** (10) **Patent No.:** **US D910,911 S**  
**Kim et al.** (45) **Date of Patent:** **\*\* Feb. 16, 2021**

(54) **COVER FOR ELECTRONIC CIGARETTE**

(71) Applicant: **KT&G Corporation**, Daejeon (KR)

(72) Inventors: **Min Chul Kim**, Yongin-si (KR); **Su Mi Shin**, Goyang-si (KR)

(73) Assignee: **KT&G Corporation**, Daejeon (KR)

(\*\*) Term: **15 Years**

(21) Appl. No.: **29/688,815**

(22) Filed: **Apr. 24, 2019**

(30) **Foreign Application Priority Data**

Mar. 19, 2019 (KR) ..... 30-2019-0012339

(51) **LOC (13) Cl.** ..... **27-02**

(52) **U.S. Cl.**

USPC ..... **D27/167**; D27/162

(58) **Field of Classification Search**

USPC ..... D27/162, 100, 101, 139, 141, 148,  
D27/161-171, 183, 185-193, 194;  
D24/110, 110.5, 129, 113, 112; D13/108,  
D13/144, 103, 119, 146, 168; D23/360,  
D23/364-366, 202, 262, 209, 207;  
D19/66, 73, 115, 123, 173, 177, 923,  
D19/925-929, 934, 161-166, 194-196;  
D14/434, 480.5, 480.1, 480.3, 483, 484.1,  
D14/420, 426, 250, 137, 203.1, 203.3,  
D14/203.7, 218, 254, 411, 433-435,  
D14/435.1; D4/121; D9/500, 503, 504,  
D9/516, 517, 522, 523, 530, 531, 560,  
D9/444; D11/143, 156, 146, 54, 152,  
D11/149, 144; D28/85, 4, 7, 88, 90,  
D28/73-76, 77; D3/201, 11, 13, 17, 273,  
D3/274, 300

CPC ..... A24F 40/00; A24F 40/40; A24F 40/42;  
A24F 40/05; A24F 40/46; A24F 47/002;  
A24F 47/008; A24D 1/14; A24D 1/042;  
A24D 1/02; G06F 3/03545

See application file for complete search history.

(56) **References Cited**

U.S. PATENT DOCUMENTS

D237,583 S \* 11/1975 Kemp ..... D9/684  
D239,198 S \* 3/1976 Nau ..... D26/46

(Continued)

FOREIGN PATENT DOCUMENTS

CN 00112139 \* 11/2018  
CN 304929551 \* 12/2018

(Continued)

OTHER PUBLICATIONS

Lil hybrid, published 2018 [online], [retrieved Aug. 12, 2020],  
Available from Internet, URL: [https://ifworlddesignguide.com/entry/247859-lil-hybrid.\\*](https://ifworlddesignguide.com/entry/247859-lil-hybrid.*)

(Continued)

*Primary Examiner* — George D. Kirschbaum

*Assistant Examiner* — Mary Claire Ramirez

(74) *Attorney, Agent, or Firm* — Novick, Kim & Lee,  
PLLC; Sang Ho Lee; Hyun Woo Shin

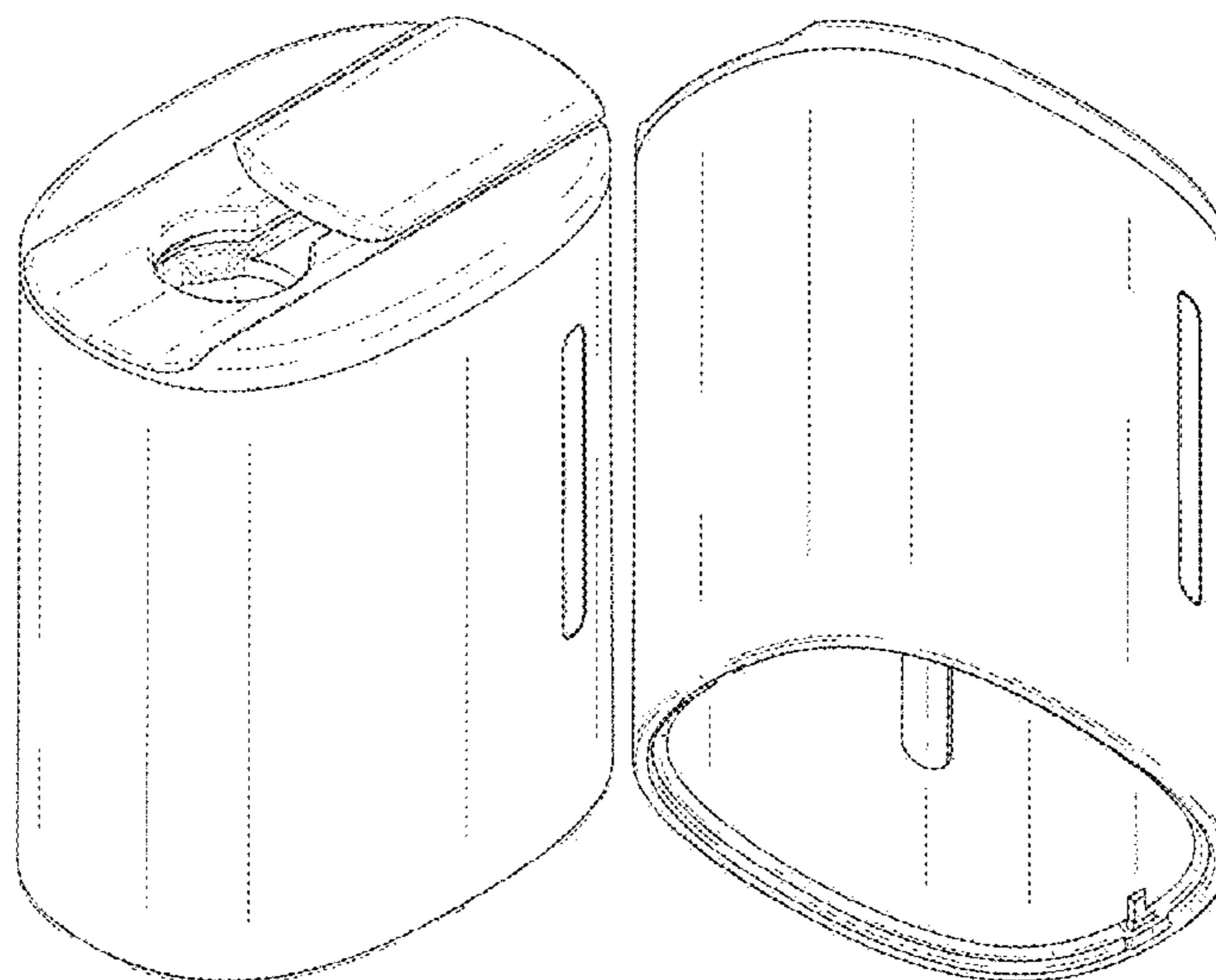
(57) **CLAIM**

We claim the ornamental design for a cover for electronic cigarette, as shown and described.

**DESCRIPTION**

FIG. 1 is a top perspective view of a cover for electronic cigarette, showing our new design;  
FIG. 2 is a front elevational view thereof;  
FIG. 3 is a rear elevational view thereof;  
FIG. 4 is a left side elevational view thereof;  
FIG. 5 is a right side elevational view thereof;  
FIG. 6 is a top plan view thereof;  
FIG. 7 is a bottom plan view thereof; and,  
FIG. 8 is a bottom perspective view thereof.

**1 Claim, 8 Drawing Sheets**



(56)

References Cited

U.S. PATENT DOCUMENTS

D351,043 S \* 9/1994 Parker ..... D27/154  
 D472,341 S \* 3/2003 Cohen Harel ..... D27/141  
 D490,931 S \* 6/2004 Xu ..... D27/161  
 D607,729 S \* 1/2010 Berger ..... D9/516  
 D624,421 S \* 9/2010 Berger ..... D9/516  
 D685,382 S \* 7/2013 Anderson ..... D14/480.5  
 D695,396 S \* 12/2013 Tani ..... D24/113  
 D737,506 S \* 8/2015 Liu ..... D27/189  
 D760,414 S \* 6/2016 Brown ..... D26/37  
 D784,162 S \* 4/2017 Villarreal ..... D9/724  
 D792,021 S \* 7/2017 Beer ..... D27/101  
 D792,643 S \* 7/2017 Wong ..... D27/101  
 D807,575 S \* 1/2018 Luo ..... D27/141  
 D816,267 S \* 4/2018 Fornarelli ..... D27/101  
 D833,384 S \* 11/2018 Takayanagi ..... D13/103  
 D842,237 S \* 3/2019 Qiu ..... D13/103  
 D843,052 S \* 3/2019 Powell ..... D27/163  
 D848,603 S \* 5/2019 Fujino ..... D24/110  
 D883,563 S \* 5/2020 Pan ..... D27/139  
 D889,740 S \* 7/2020 Beer ..... D27/194  
 D891,692 S \* 7/2020 Barbaric ..... D27/162  
 2013/0228191 A1\* 9/2013 Newton ..... A24F 47/008  
 131/329  
 2017/0119044 A1\* 5/2017 Oligschlaeger ..... B65D 43/16

2018/0279682 A1\* 10/2018 Guo ..... H05B 3/04  
 2019/0069601 A1\* 3/2019 Qiu ..... A24F 47/008  
 2019/0150510 A1\* 5/2019 Conley ..... A24F 47/008  
 2019/0239559 A1\* 8/2019 Srour ..... A24F 47/008  
 2020/0093185 A1\* 3/2020 Lim ..... A24B 15/16  
 2020/0119489 A1\* 4/2020 Novak, III ..... H01R 13/6205  
 2020/0214351 A1\* 7/2020 Lee ..... A24F 47/00  
 2020/0214355 A1\* 7/2020 Lee ..... A24F 40/46  
 2020/0221782 A1\* 7/2020 Lim ..... A24D 3/17  
 2020/0245681 A1\* 8/2020 An ..... A24F 40/20

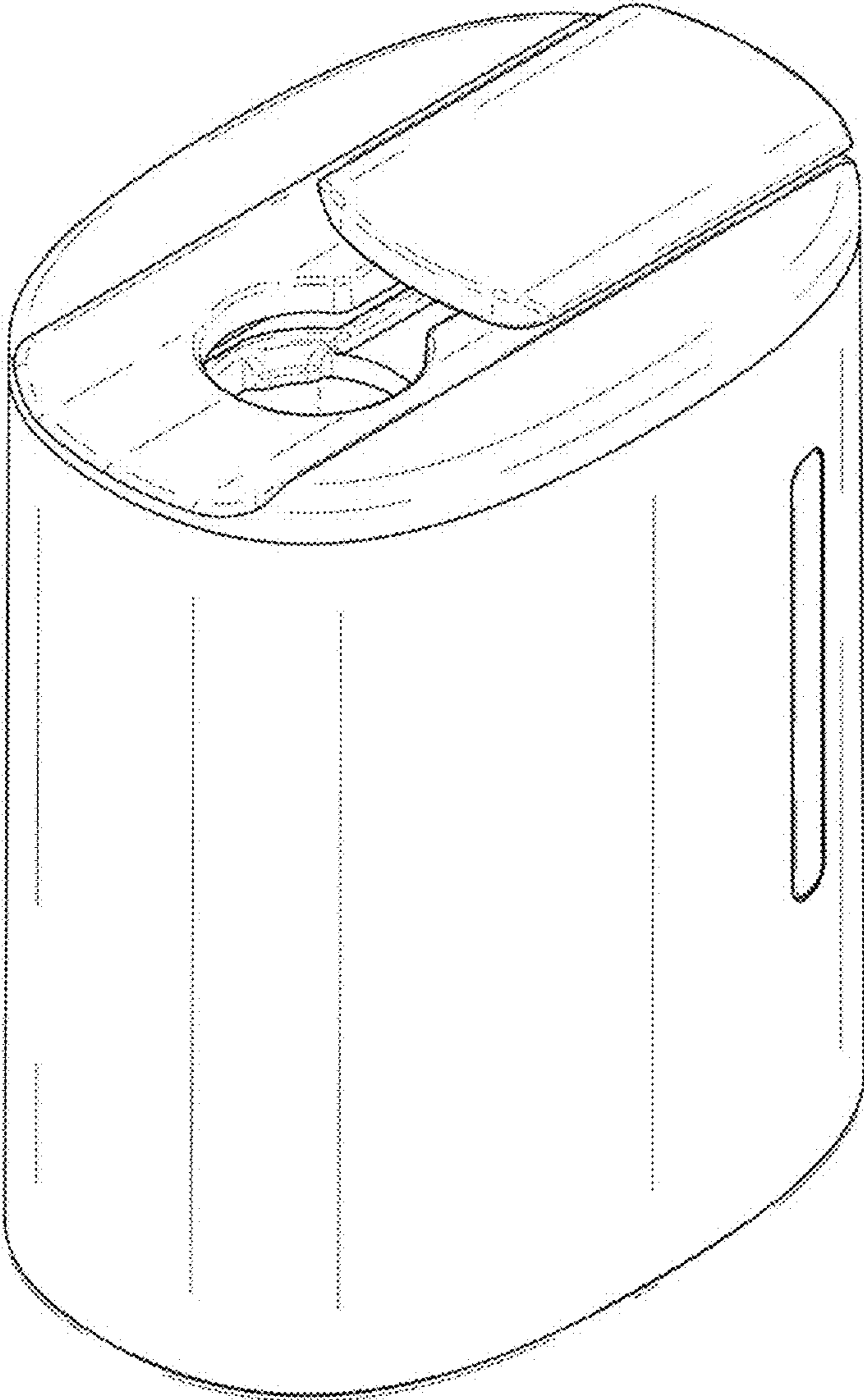
FOREIGN PATENT DOCUMENTS

RU 00112135 \* 11/2018  
 RU 00117504 \* 11/2019  
 RU 00117505 \* 11/2019  
 VN 3-0028389-000 8/2018  
 VN 3-2018-02503 3/2019

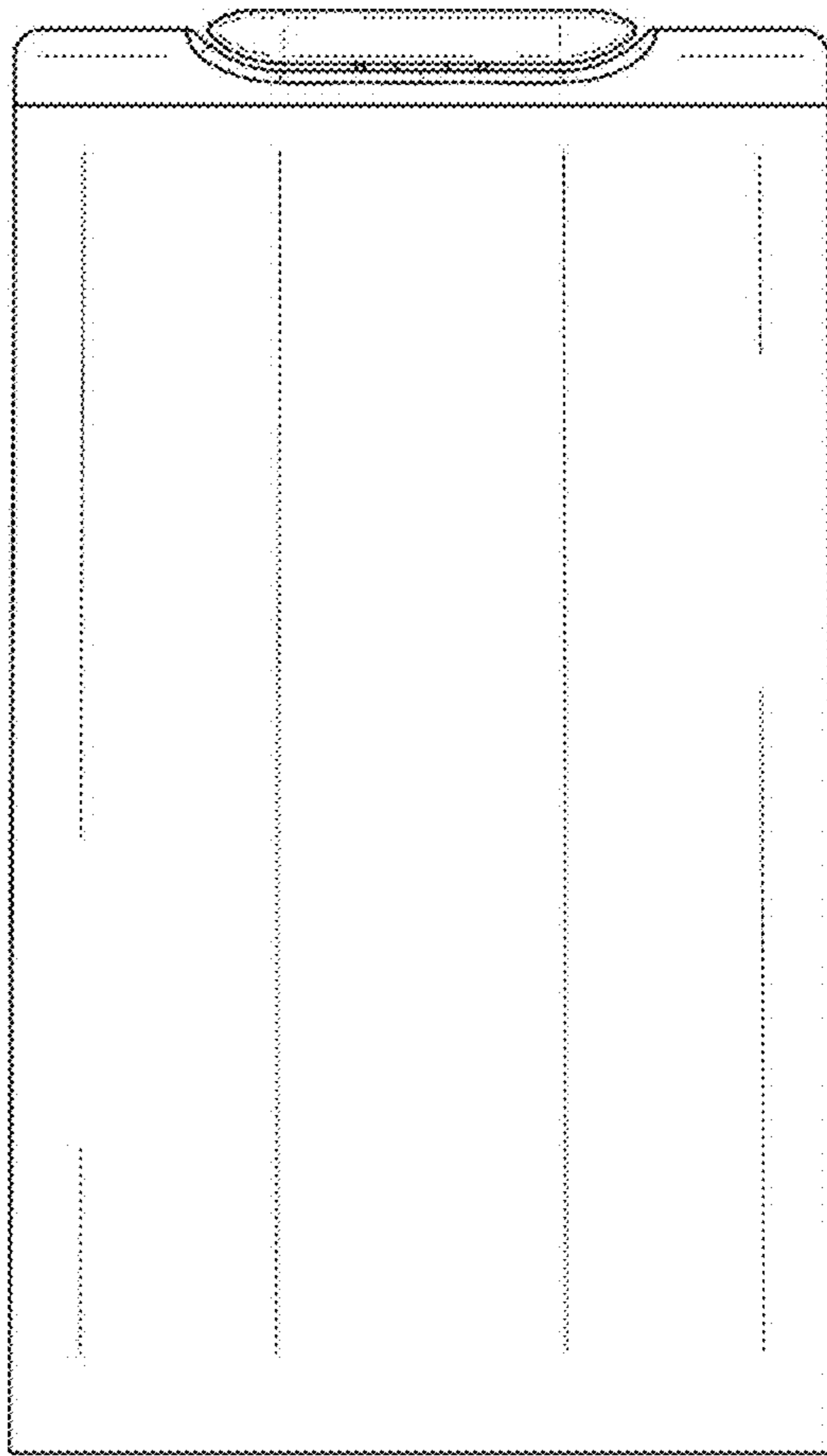
OTHER PUBLICATIONS

The Korea Herald “KT&G unveils liquid cartridge-type HNB tobacco Lil Hybrid” retrieved from <http://www.koreaherald.com/view.php?ud=20181126000509>, Nov. 27, 2018.

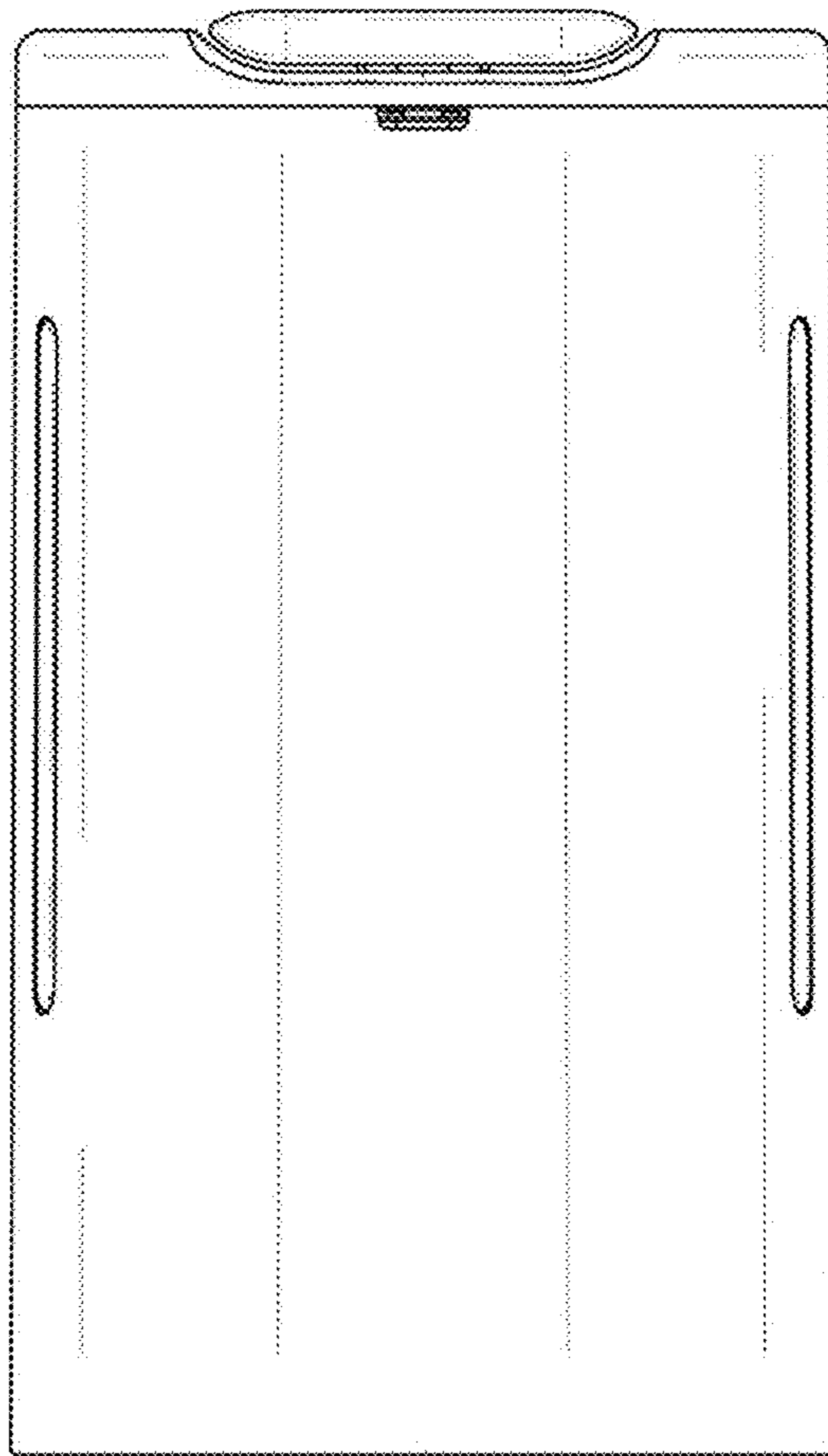
\* cited by examiner



**FIG. 1**

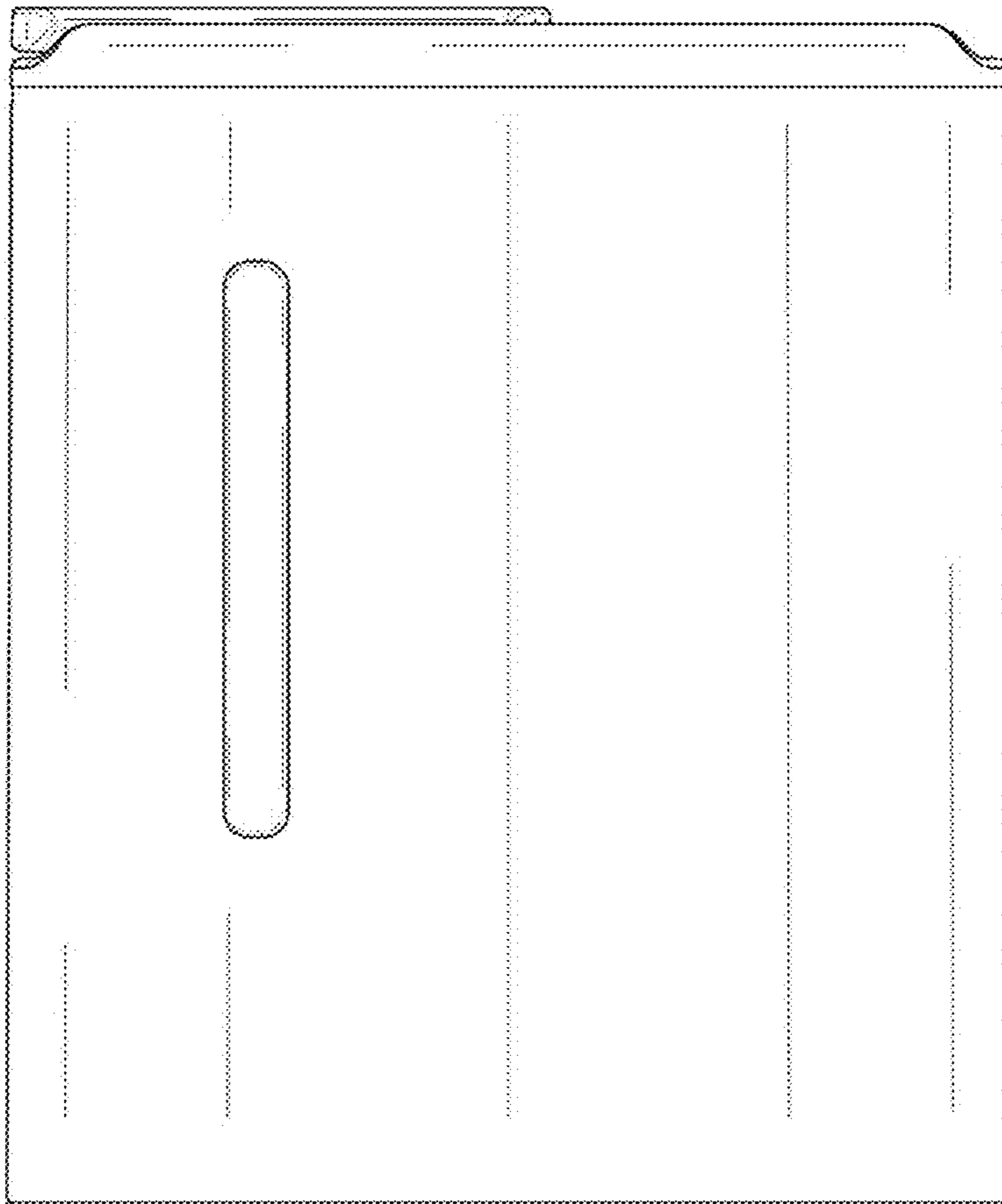


**FIG. 2**

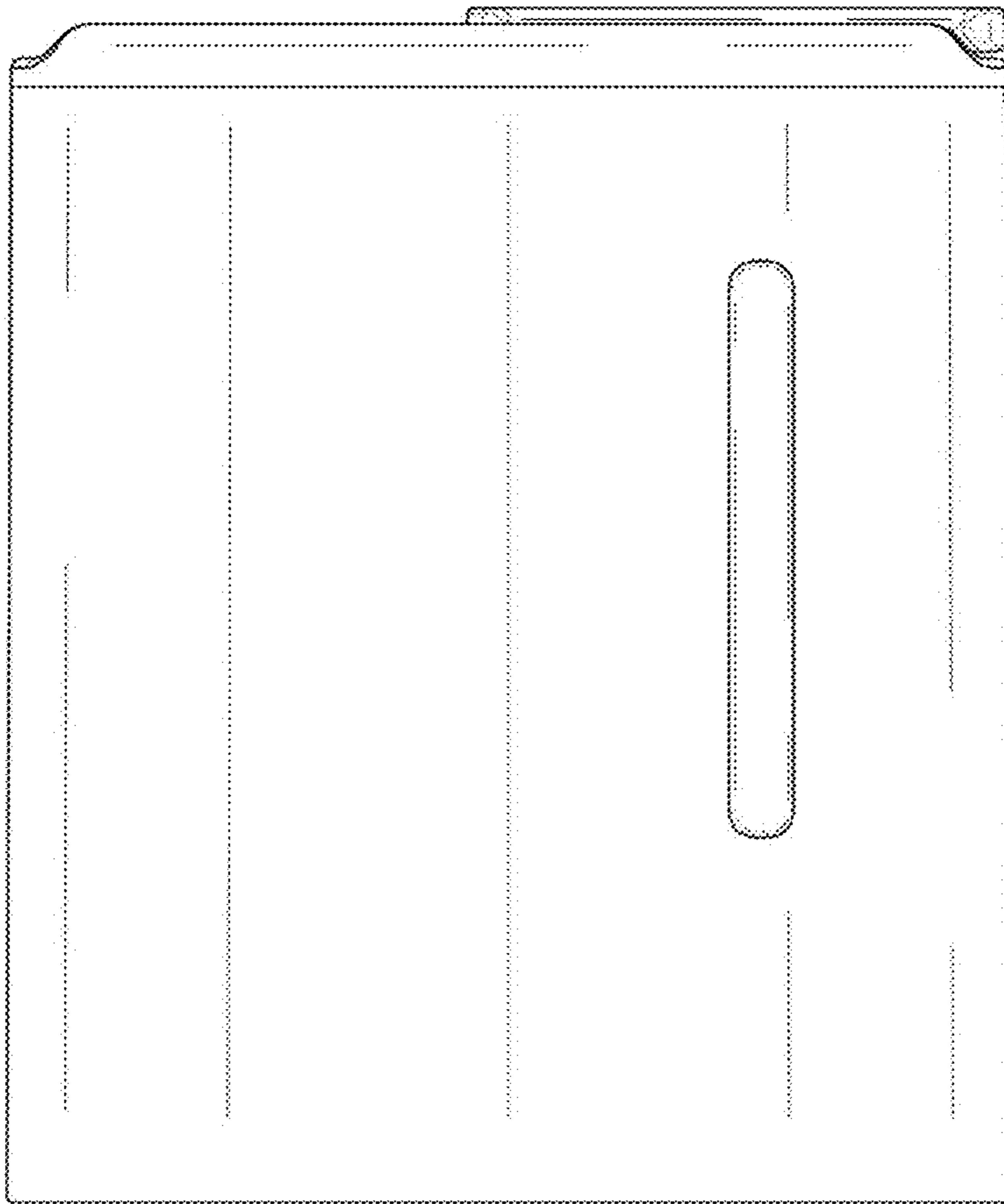


**FIG. 3**

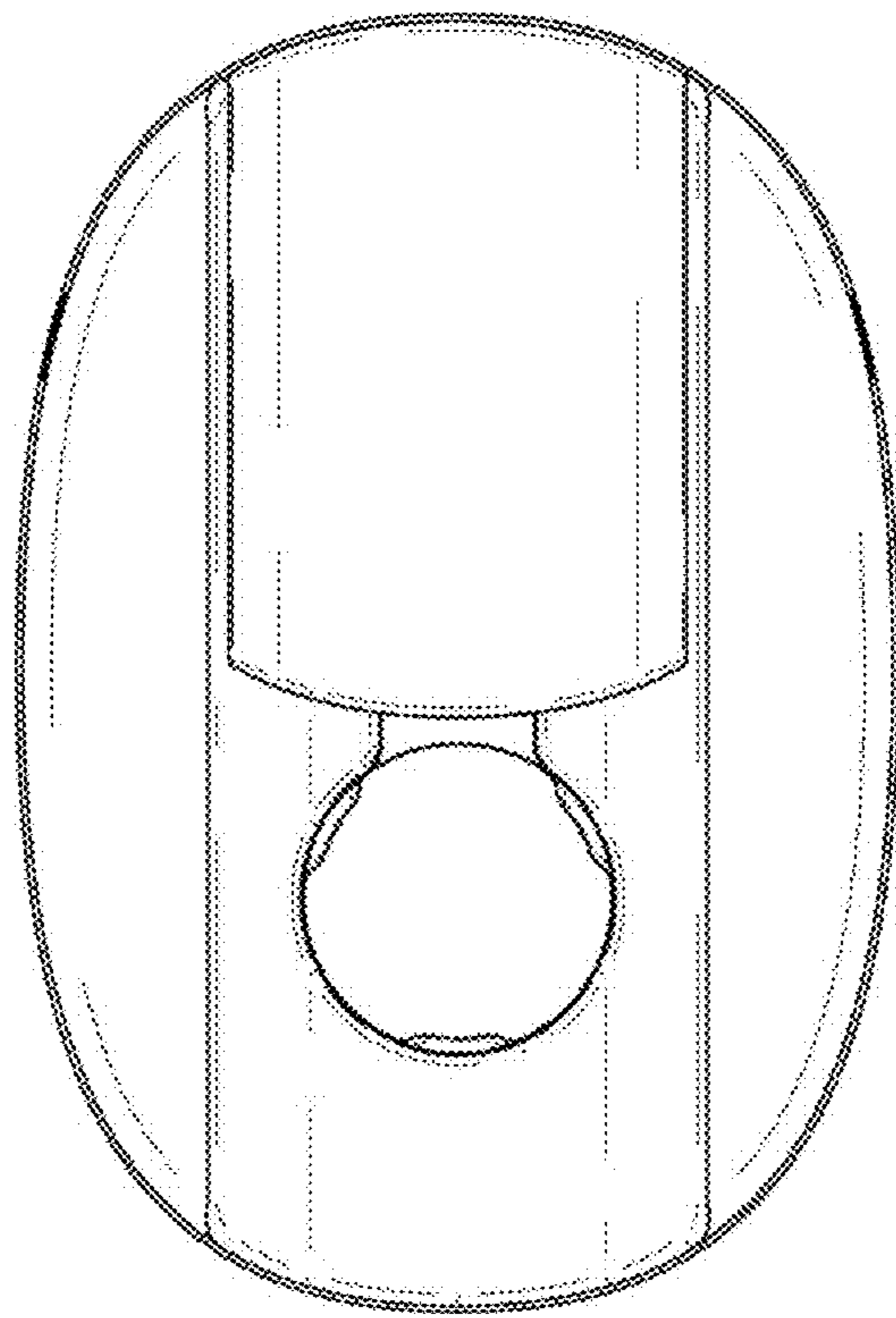




**FIG. 4**

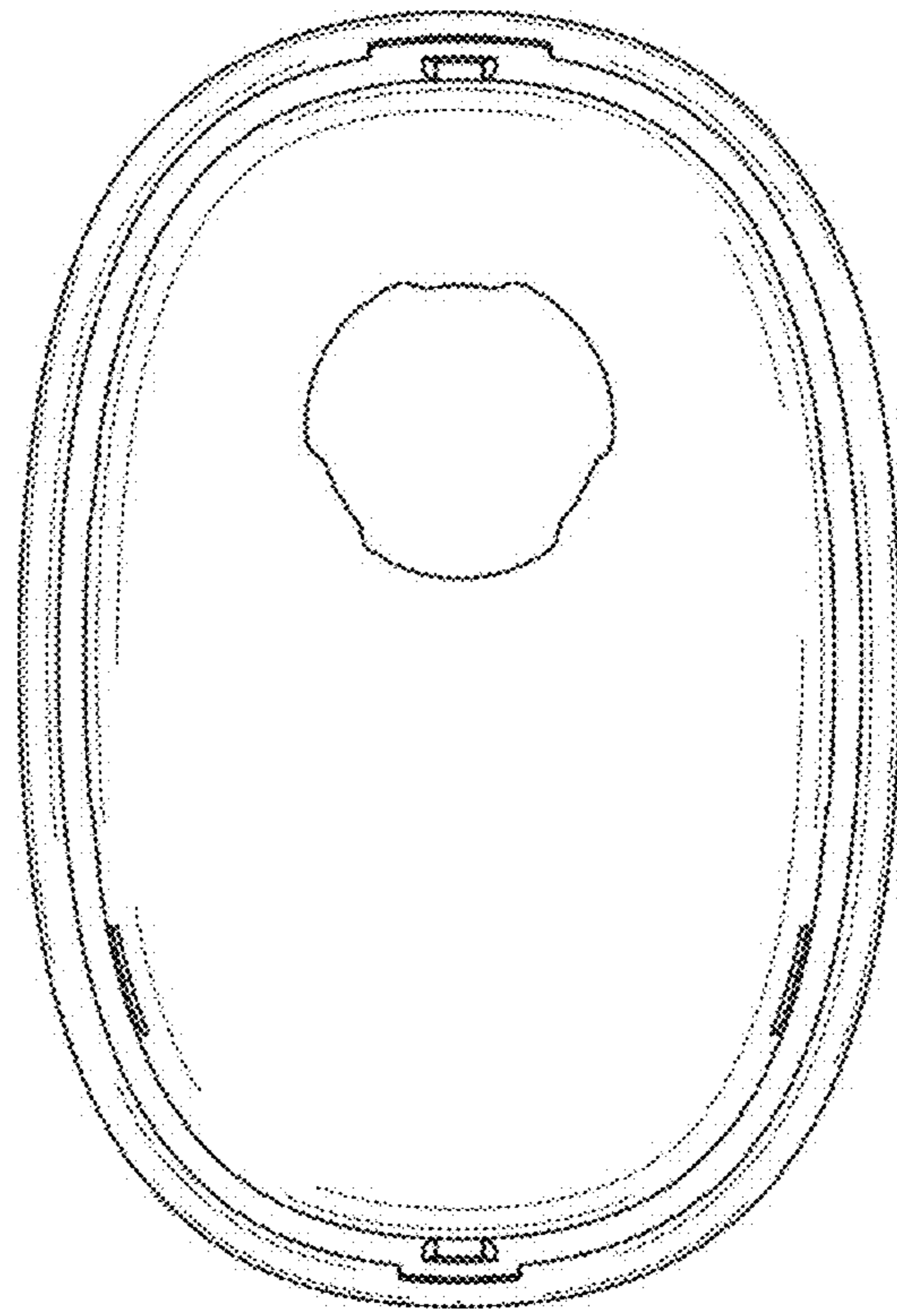


**FIG. 5**



**FIG. 6**





**FIG. 7**

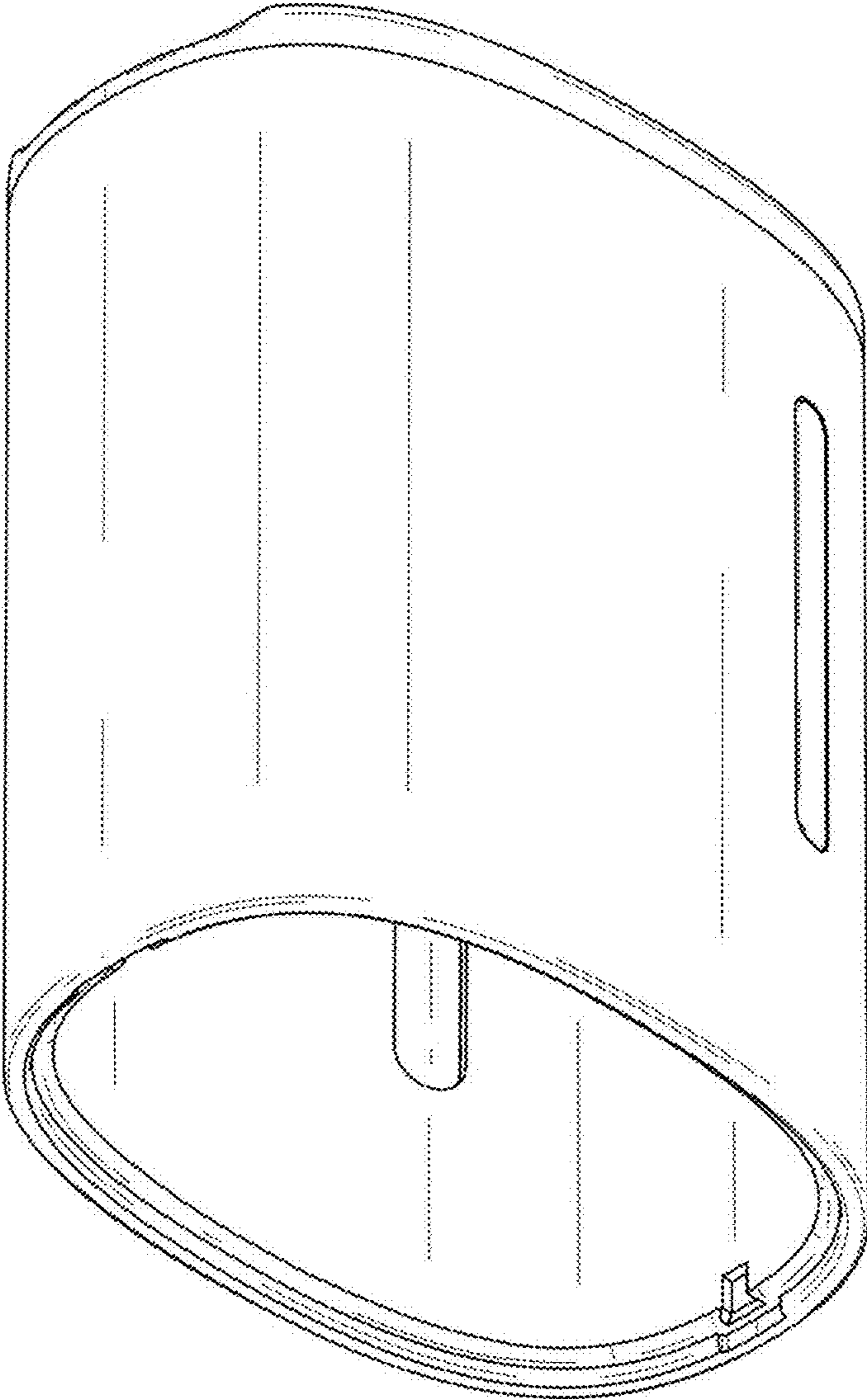


FIG. 8