



US00D910910S

(12) **United States Design Patent**  
**Yang**

(10) **Patent No.:** **US D910,910 S**

(45) **Date of Patent:** **\*\* Feb. 16, 2021**

- (54) **ELECTRONIC CIGARETTE**
- (71) Applicant: **SHENZHEN ZUN YI PIN TECHNOLOGY CO., LTD.**, Shenzhen (CN)
- (72) Inventor: **Miaowen Yang**, Shenzhen (CN)
- (73) Assignee: **SHENZHEN ZUN YI PIN TECHNOLOGY CO., LTD.**, Shenzhen (CN)

D829,373 S *	9/2018	Huang	.....	D27/101
D829,980 S *	10/2018	Qiu	.....	D27/162
D837,446 S *	1/2019	Durand	.....	D27/101
D859,735 S *	9/2019	Qiu	.....	D27/162
D864,470 S *	10/2019	Huang	.....	D27/101
D884,267 S *	5/2020	Wang	.....	D27/162
D892,397 S *	8/2020	Li	.....	D27/162
D899,679 S *	10/2020	Liu	.....	D27/162
D901,067 S *	11/2020	Powell	.....	D27/101
D901,761 S *	11/2020	Zhu	.....	D27/162
D902,475 S *	11/2020	Liu	.....	D27/162
D903,191 S *	11/2020	Li	.....	D27/101

\* cited by examiner

(\*\*) Term: **15 Years**

*Primary Examiner* — Marissa J Cash

(21) Appl. No.: **29/721,492**

*Assistant Examiner* — Rebecca Tsehaye

(22) Filed: **Jan. 21, 2020**

(74) *Attorney, Agent, or Firm* — Tarter Krinsky & Drogin LLP

(30) **Foreign Application Priority Data**

Aug. 20, 2019 (CN) ..... 201930451687.4

(51) **LOC (13) Cl.** ..... **27-02**

(52) **U.S. Cl.**  
USPC ..... **D27/162**

(58) **Field of Classification Search**  
USPC ..... D27/162, 100, 101, 163–165, 172, 174,  
D27/183, 185–194; D24/110, 110.5  
CPC .... A24F 47/002; A24F 47/006; A24F 47/008;  
A61M 15/00; A61M 15/06  
See application file for complete search history.

(56) **References Cited**

**U.S. PATENT DOCUMENTS**

D818,636 S *	5/2018	Qiu	.....	D27/101
D829,371 S *	9/2018	Durand	.....	D27/101

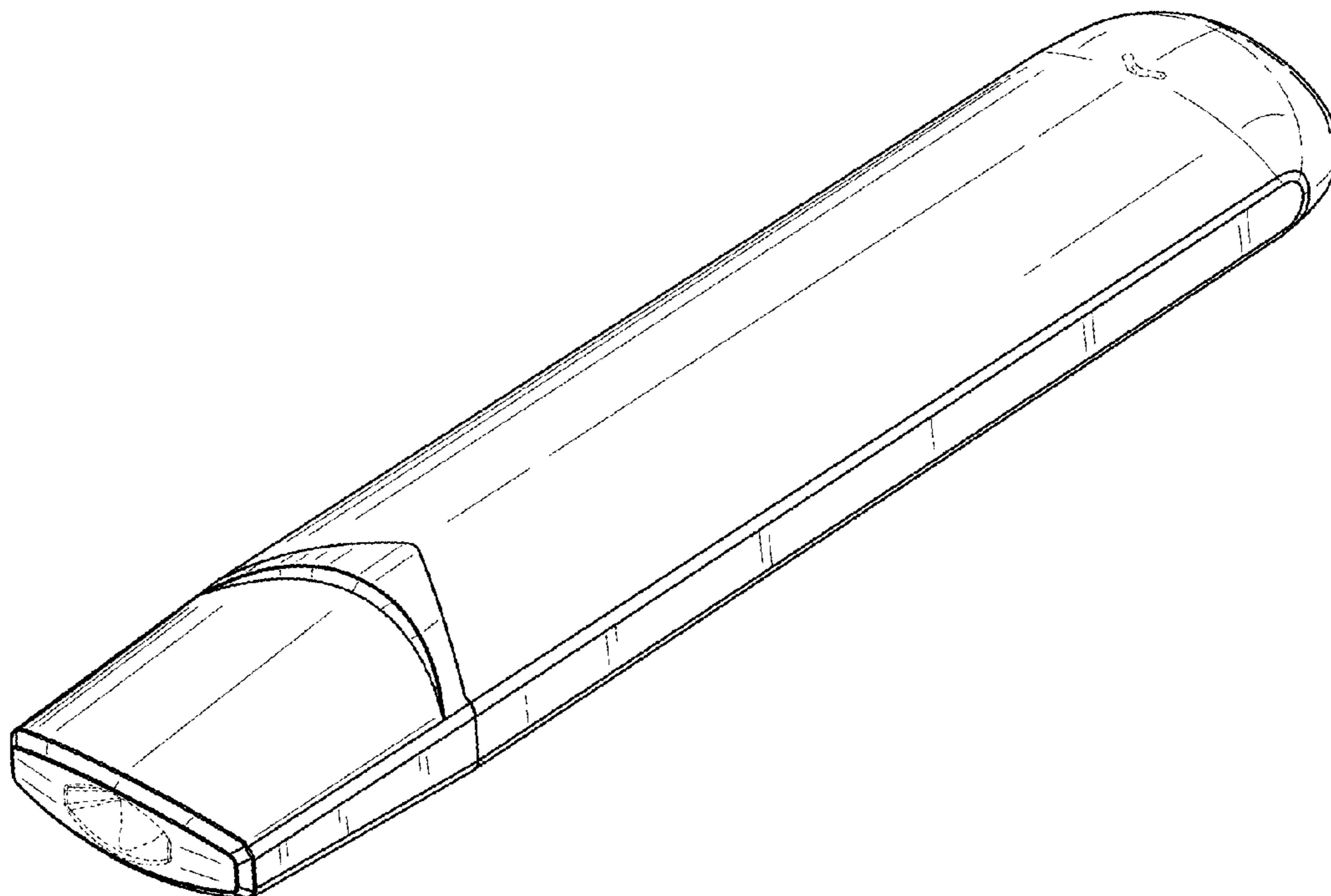
(57) **CLAIM**

The ornamental design for an electronic cigarette, as shown and described.

**DESCRIPTION**

FIG. 1 is a front view of an electronic cigarette;  
FIG. 2 is a rear view thereof;  
FIG. 3 is a first side view thereof;  
FIG. 4 is a second side view thereof;  
FIG. 5 is a top view thereof;  
FIG. 6 is a bottom view thereof;  
FIG. 7 is a front perspective view thereof; and,  
FIG. 8 is a rear perspective view thereof.  
The broken lines shown in the drawings illustrate portions of the electronic cigarette that form no part of the claimed design.

**1 Claim, 8 Drawing Sheets**



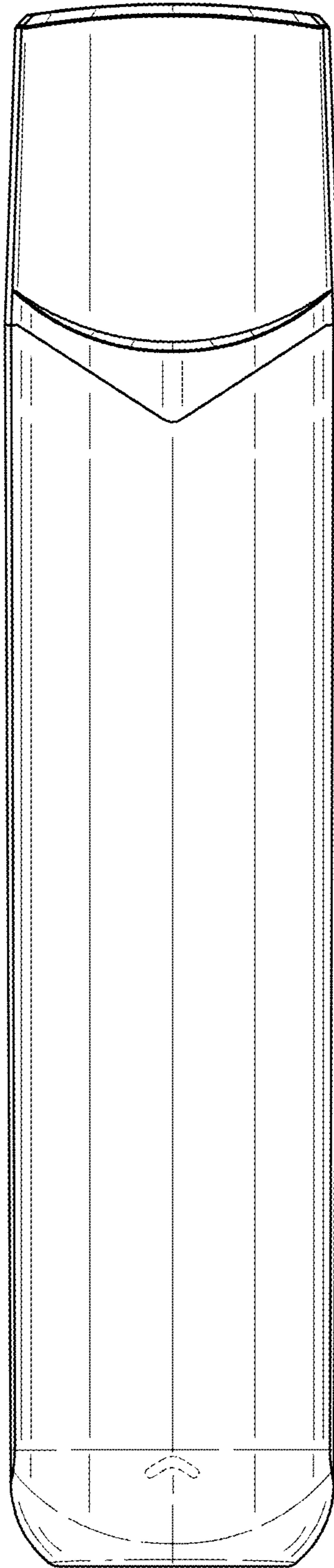


FIG. 1

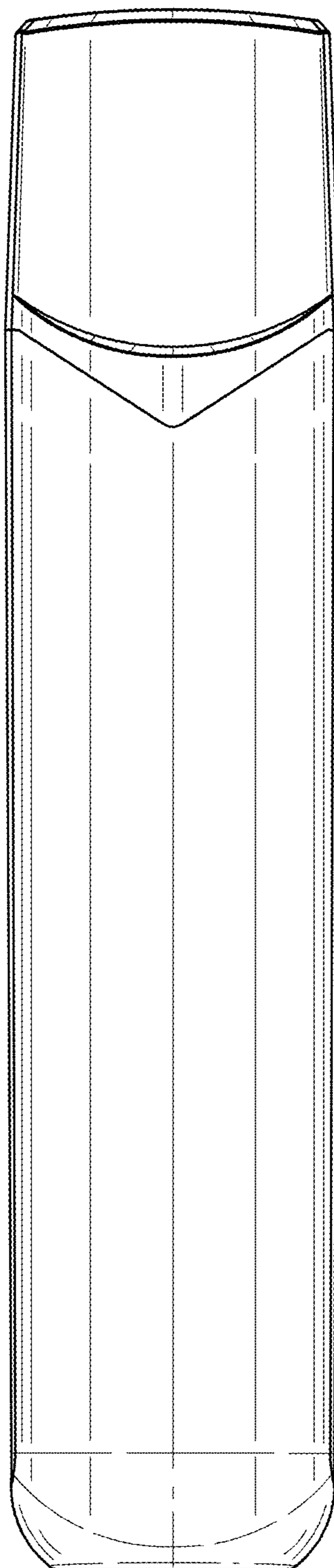


FIG. 2

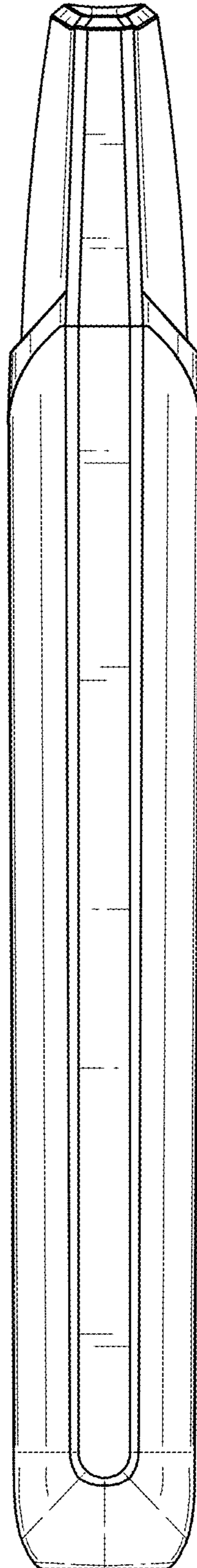


FIG. 3

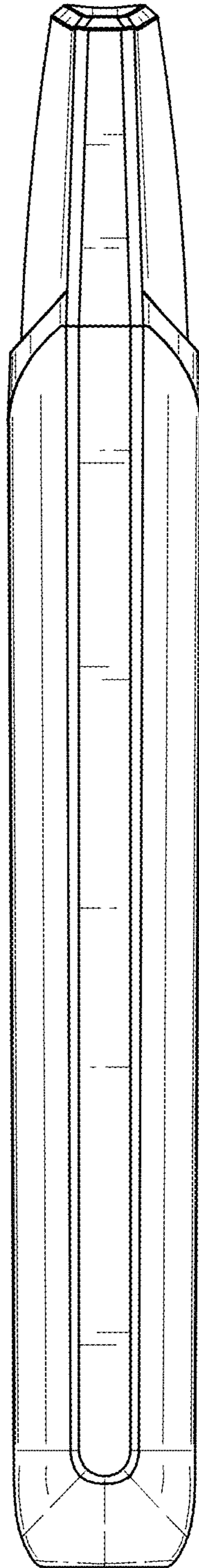


FIG. 4

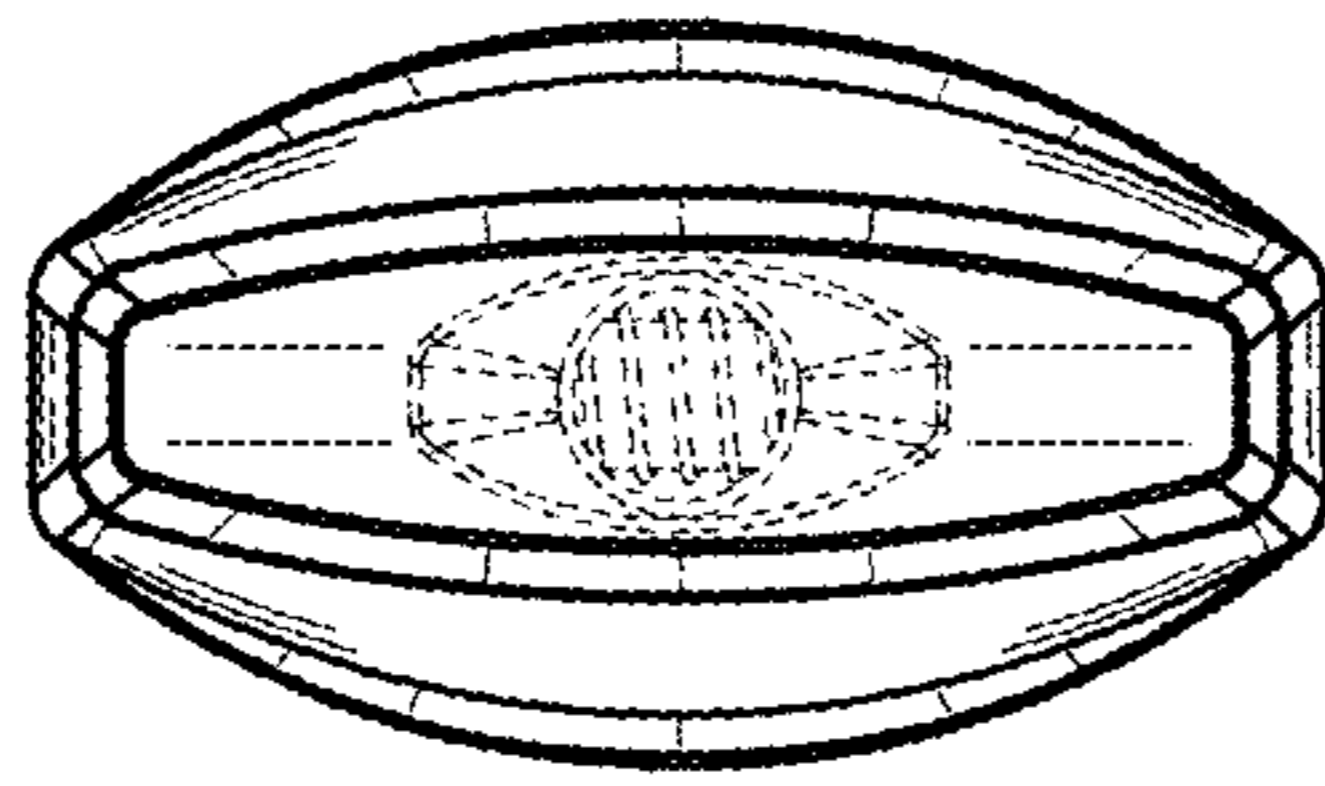


FIG. 5

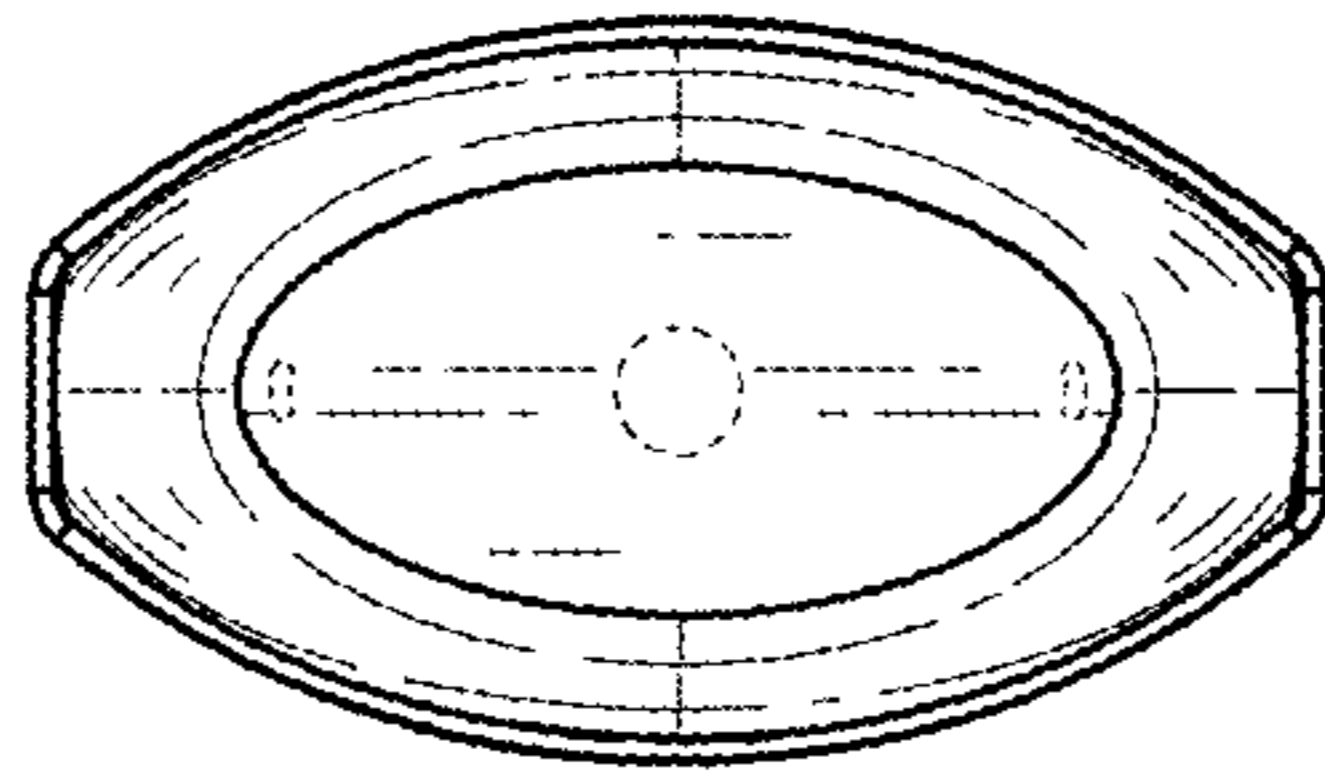


FIG. 6



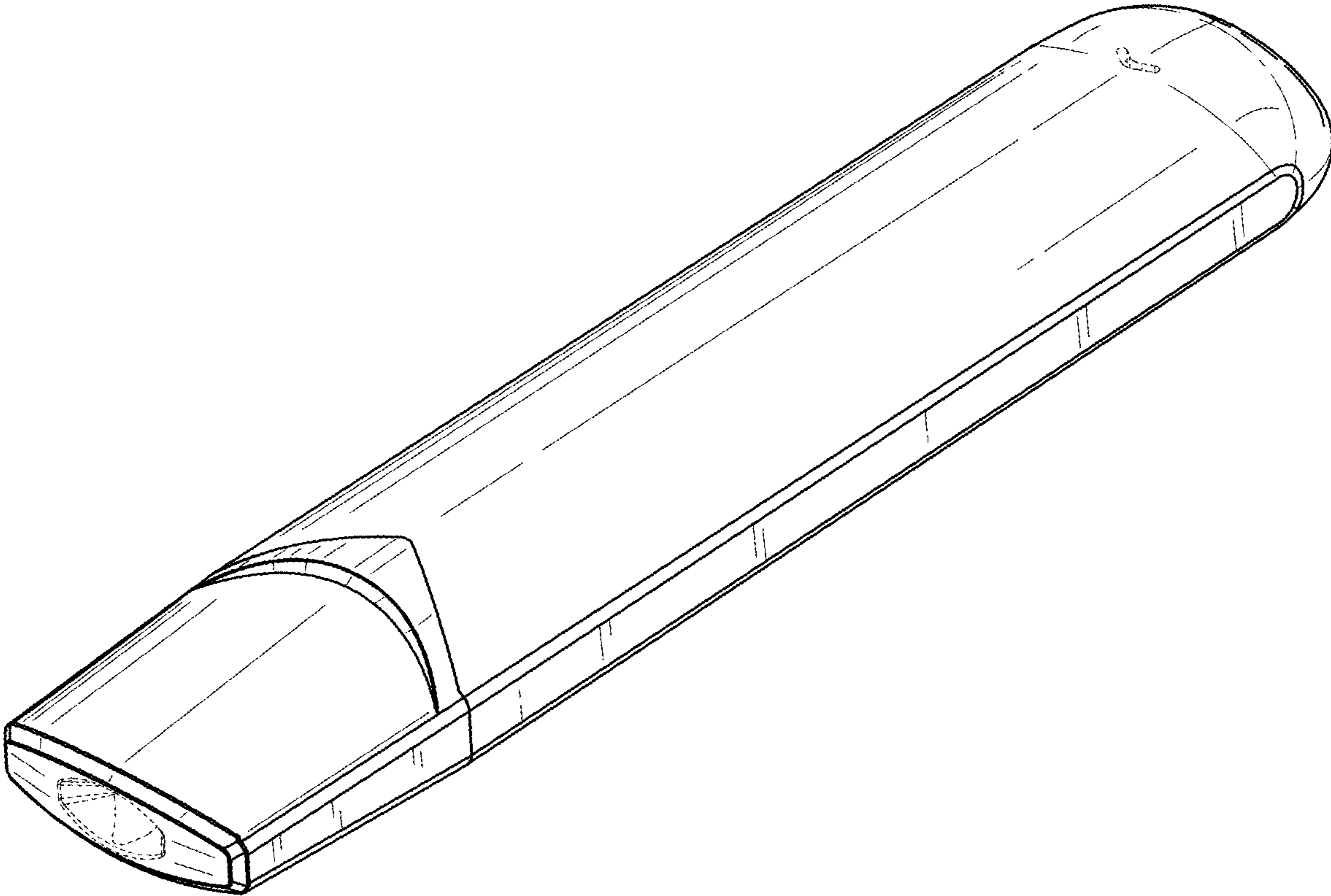


FIG. 7



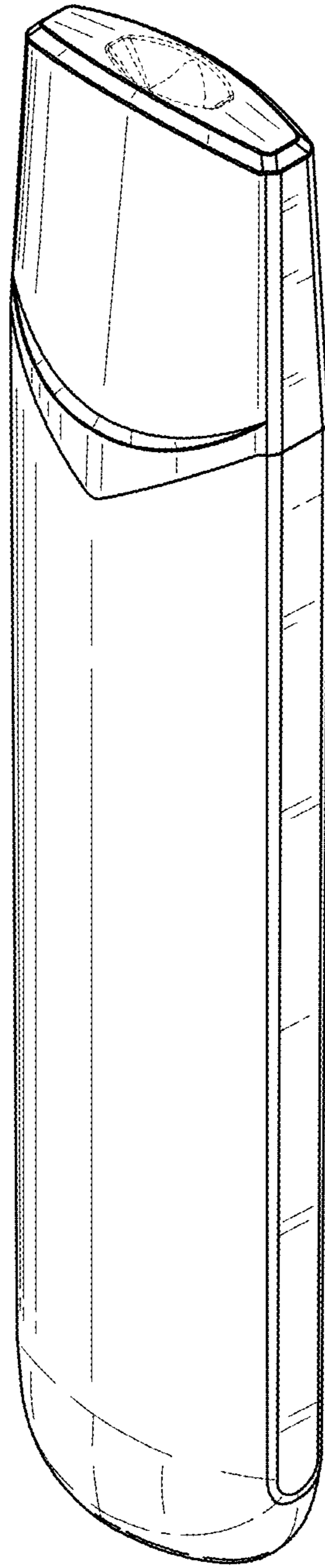


FIG. 8