



US00D910907S

(12) **United States Design Patent** (10) **Patent No.:** **US D910,907 S**
Liu (45) **Date of Patent:** **** Feb. 16, 2021**

(54) **ELECTRONIC CIGARETTE**
(71) Applicant: **Tuanfang Liu**, Shenzhen (CN)
(72) Inventor: **Tuanfang Liu**, Shenzhen (CN)
(**) Term: **15 Years**
(21) Appl. No.: **29/702,771**
(22) Filed: **Aug. 22, 2019**

D819,880 S * 6/2018 Qiu D27/101
D821,639 S * 6/2018 Dai D27/162
D828,621 S * 9/2018 Qiu D27/162
D831,269 S * 10/2018 Qiu D27/162
D831,270 S * 10/2018 Qiu D27/162
D836,242 S * 12/2018 Xu D27/162
D844,232 S * 3/2019 Qiu D27/163
D854,236 S * 7/2019 Qiu D27/101
D881,454 S * 4/2020 Wright D27/162
D881,455 S * 4/2020 Wright D27/162
D881,461 S * 4/2020 Wright D27/162
D881,462 S * 4/2020 Wright D27/162
D890,416 S * 7/2020 Ouyang D27/162

(30) **Foreign Application Priority Data**

Mar. 14, 2019 (CN) 2019 3 0105520

(51) **LOC (13) Cl.** **27-02**
(52) **U.S. Cl.**
USPC **D27/162**

(58) **Field of Classification Search**
USPC D27/162, 100, 101, 163-165, 172, 174,
D27/183, 185-194; D24/110, 110.5;
D23/366; D9/516, 522, 523, 572
CPC A24F 47/002; A24F 47/006; A24F 47/008;
A61M 15/00; A61M 15/06
See application file for complete search history.

(56) **References Cited**

U.S. PATENT DOCUMENTS

D543,852 S * 6/2007 Warren D9/523
D753,336 S * 4/2016 Chen D27/101
D771,867 S * 11/2016 Leidel D27/163
D773,114 S * 11/2016 Leidel D27/163
D775,762 S * 1/2017 Chen D27/101
D799,746 S * 10/2017 Leidel D27/163
D800,377 S * 10/2017 Liu D27/101
D802,834 S * 11/2017 Mathias D27/163

* cited by examiner

Primary Examiner — Marissa J Cash

Assistant Examiner — Rebecca Tsehaye

(74) *Attorney, Agent, or Firm* — Matthias Scholl P.C.;
Matthias Scholl

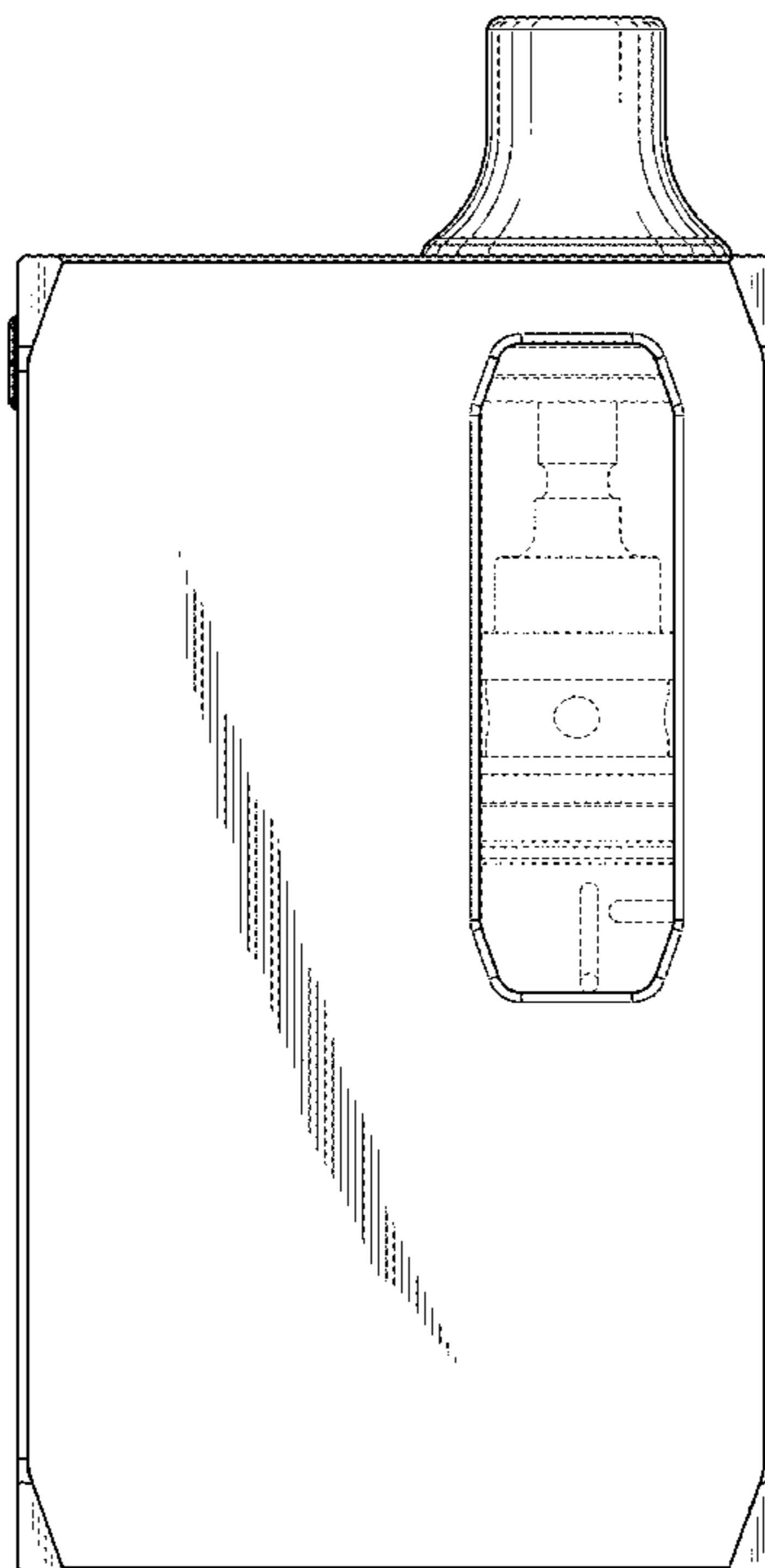
(57) **CLAIM**

The ornamental design for an electronic cigarette, as shown and described.

DESCRIPTION

FIG. 1 is a front elevation view of an electronic cigarette; FIG. 2 is a rear elevation view thereof; FIG. 3 is a left-side elevation view thereof; FIG. 4 is a right-side elevation view thereof; FIG. 5 is a top plan view thereof; FIG. 6 is a bottom plan view thereof; FIG. 7 is a perspective view thereof; and, FIG. 8 is a bottom perspective view thereof. The broken lines shown in the drawings depict portions of the electronic cigarette that form no part of the claim.

1 Claim, 8 Drawing Sheets



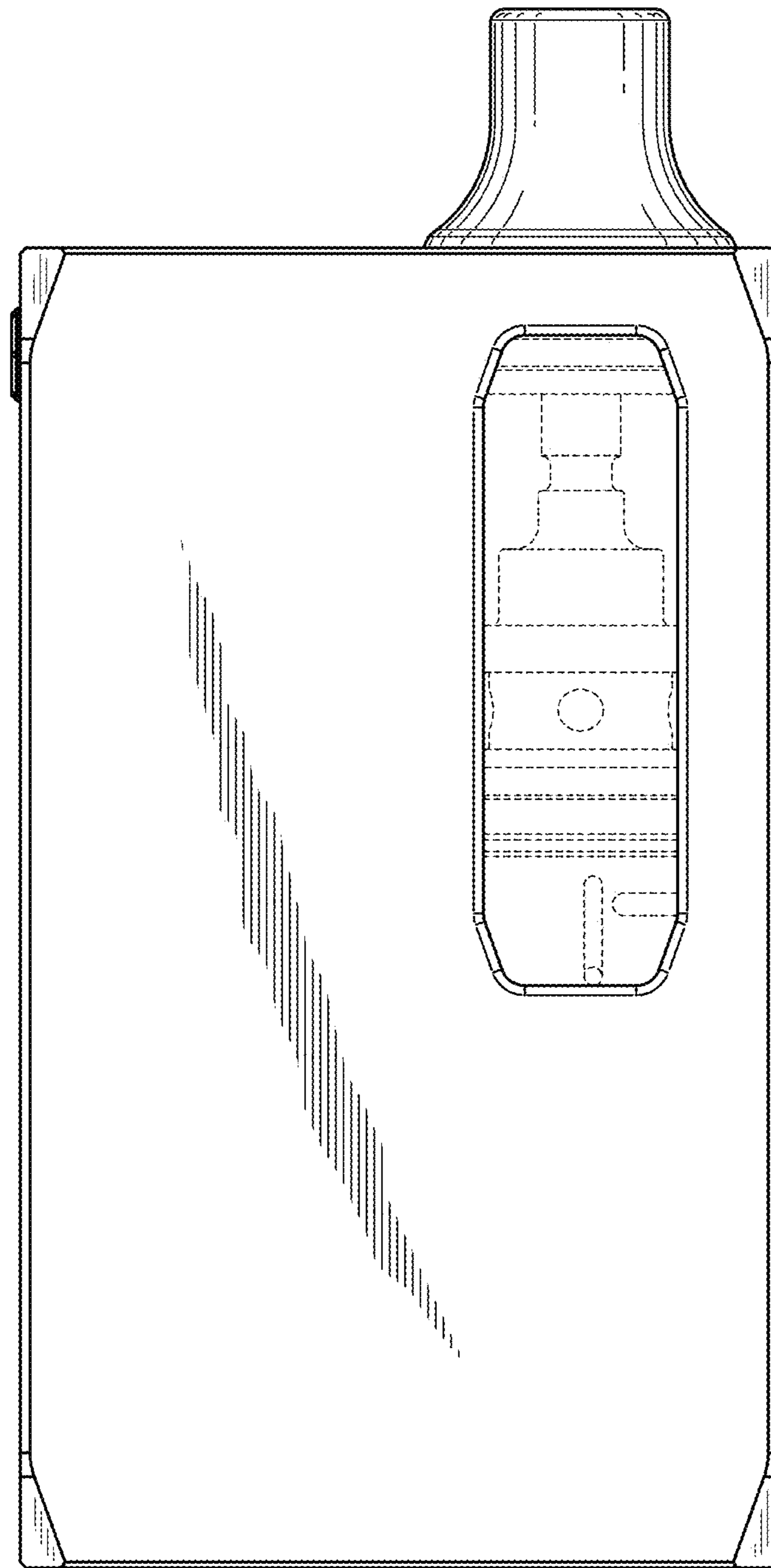


FIG. 1

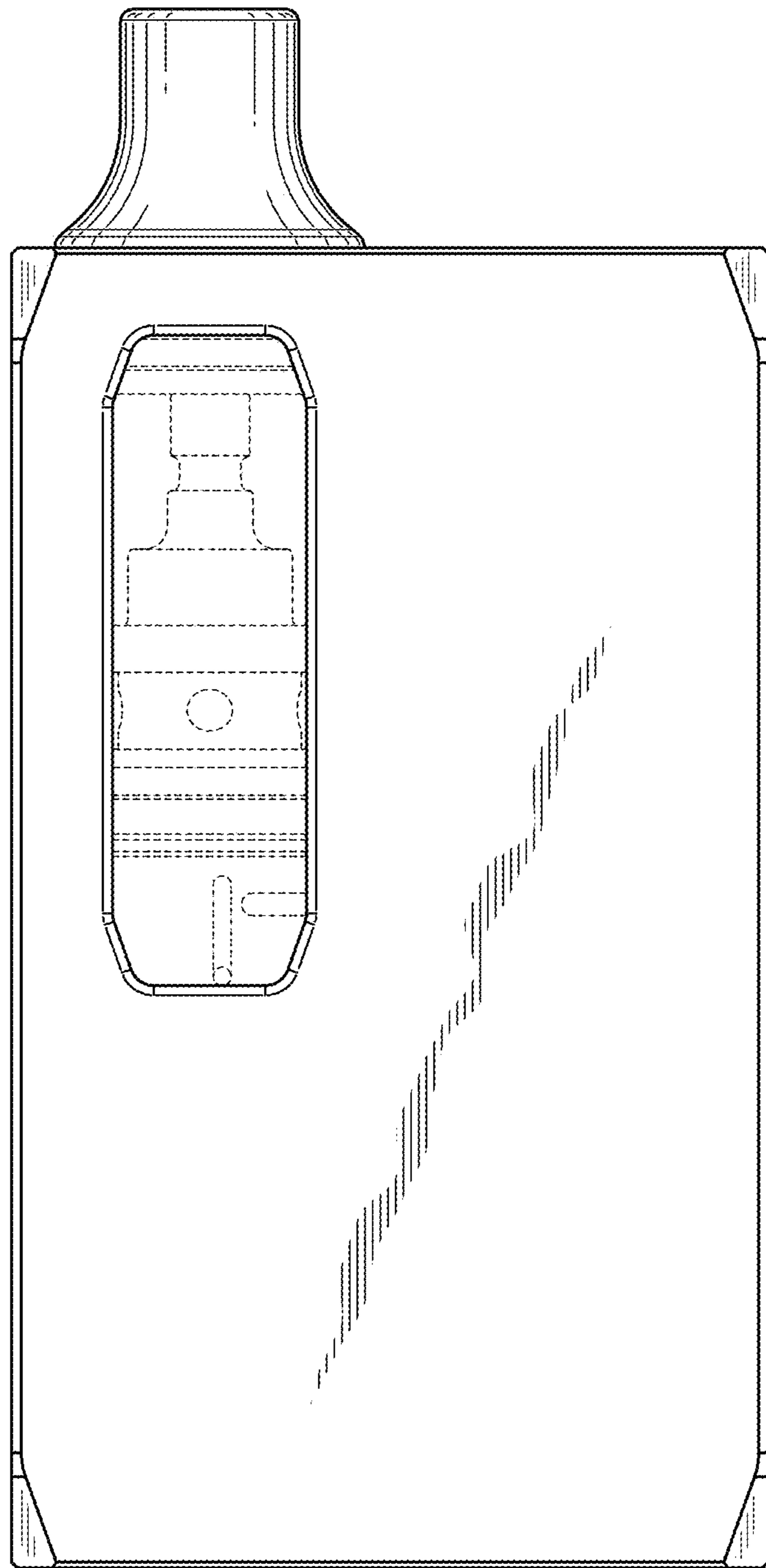


FIG. 2

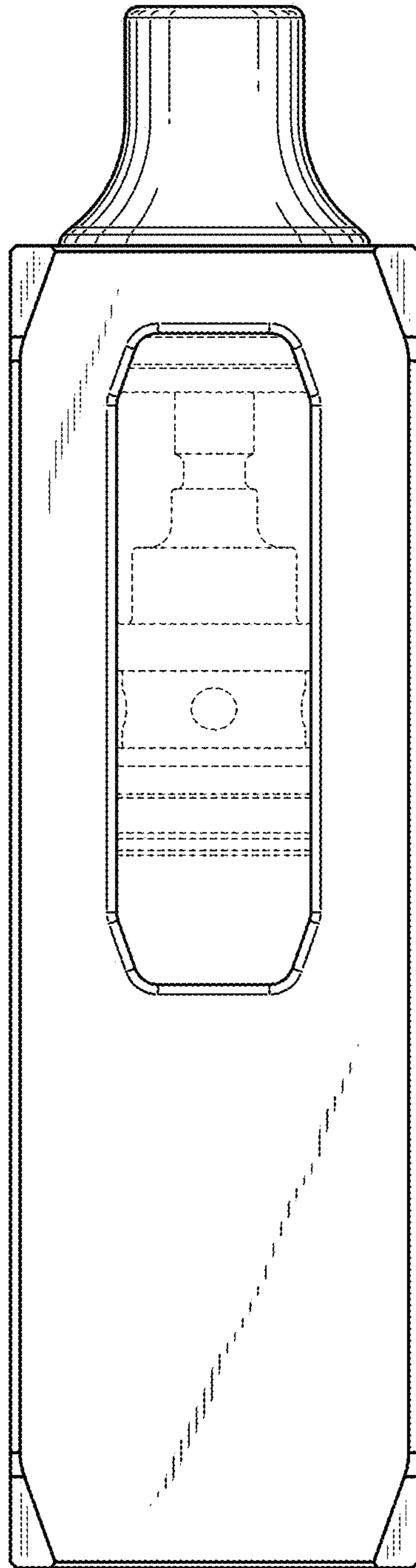


FIG. 3

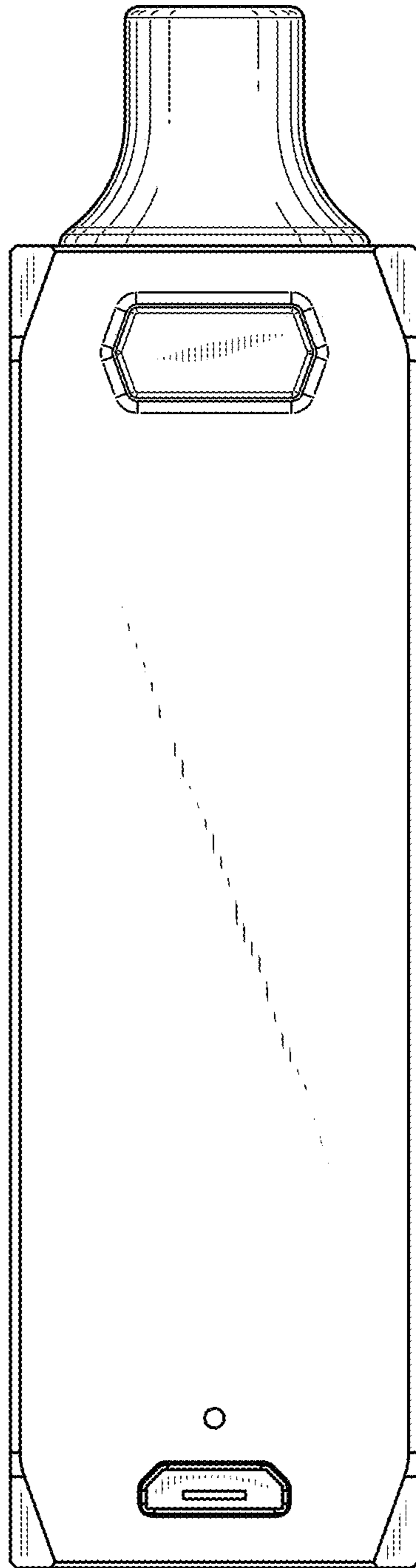


FIG. 4

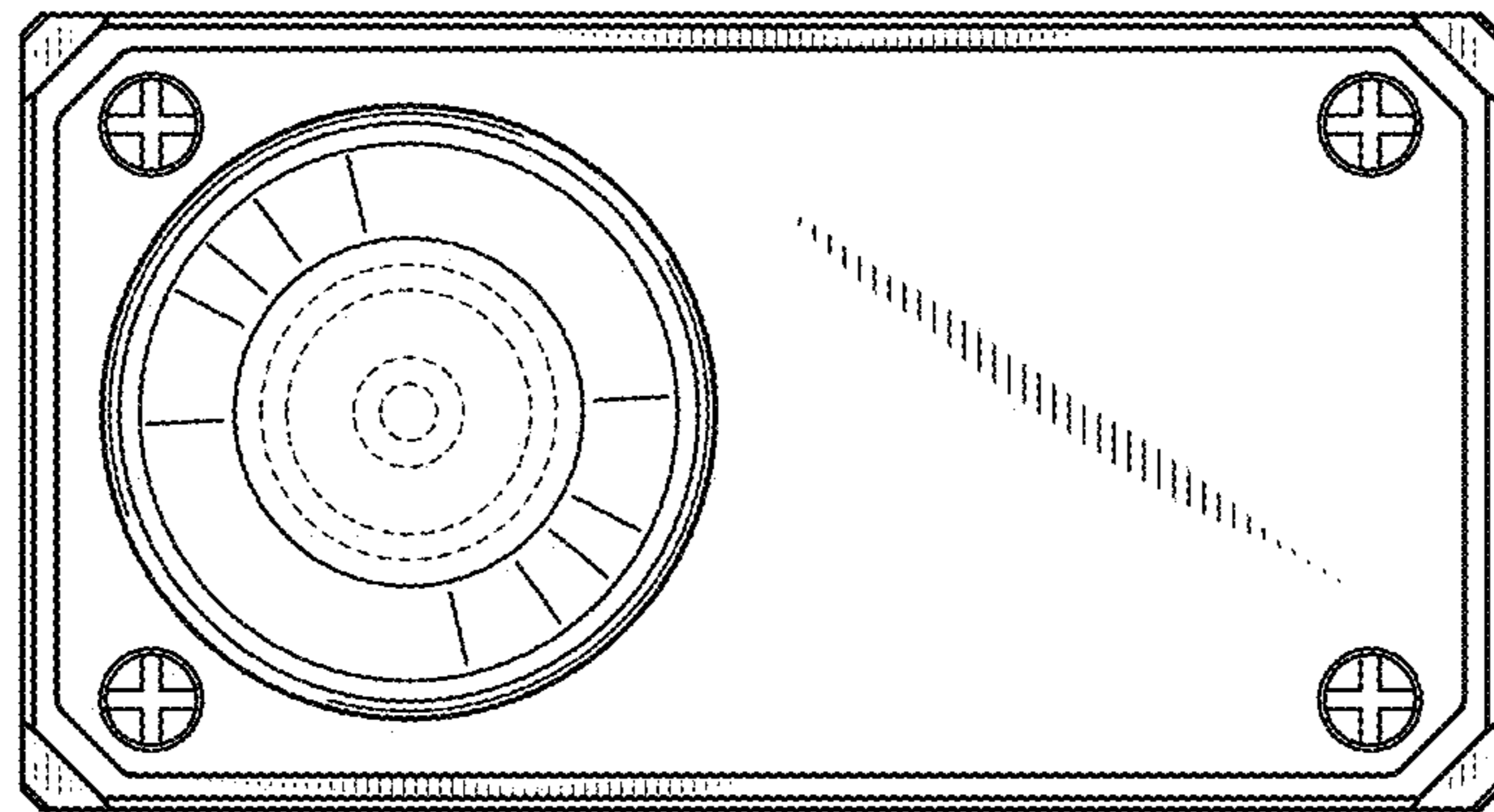


FIG. 5

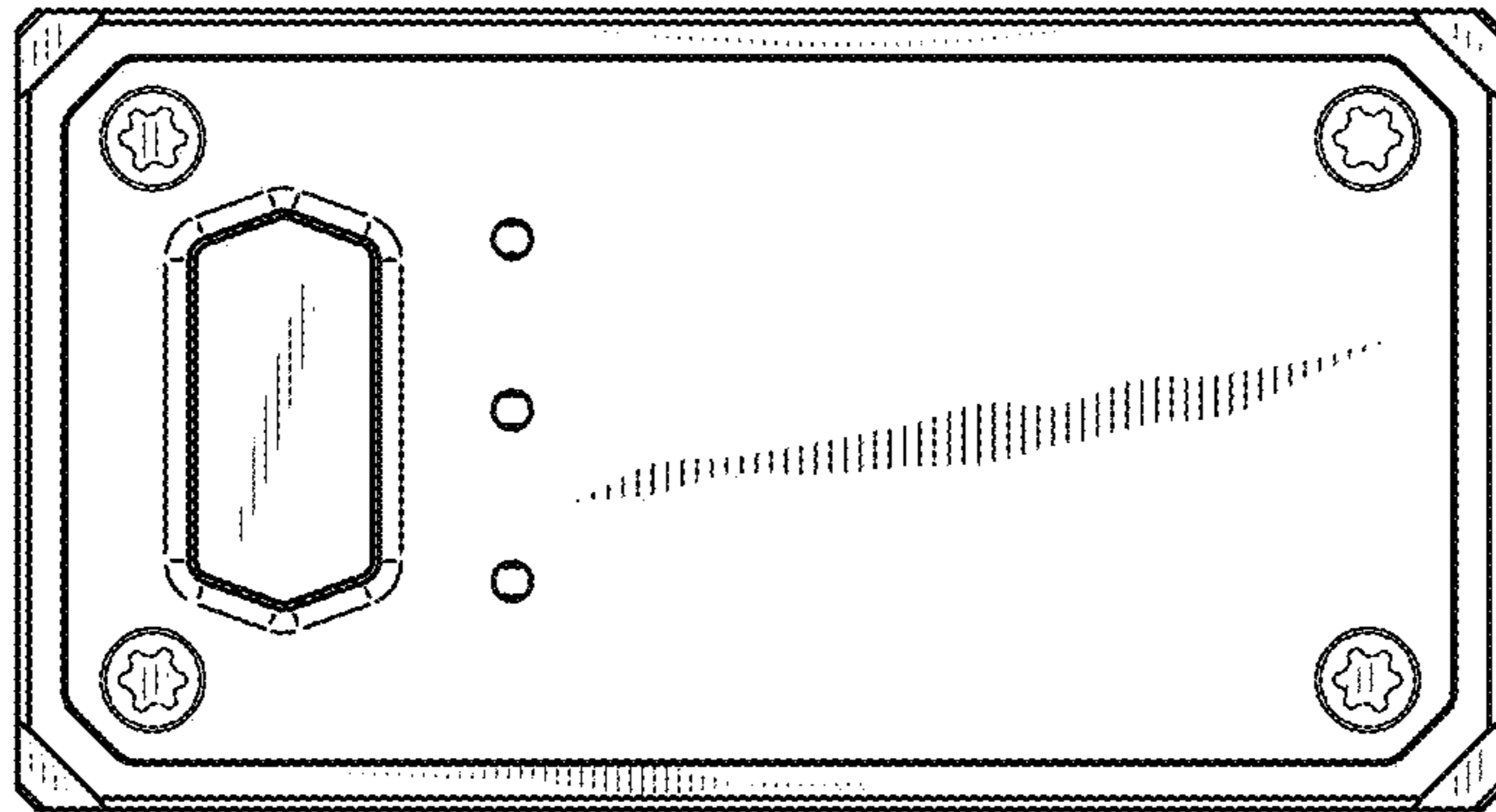


FIG. 6

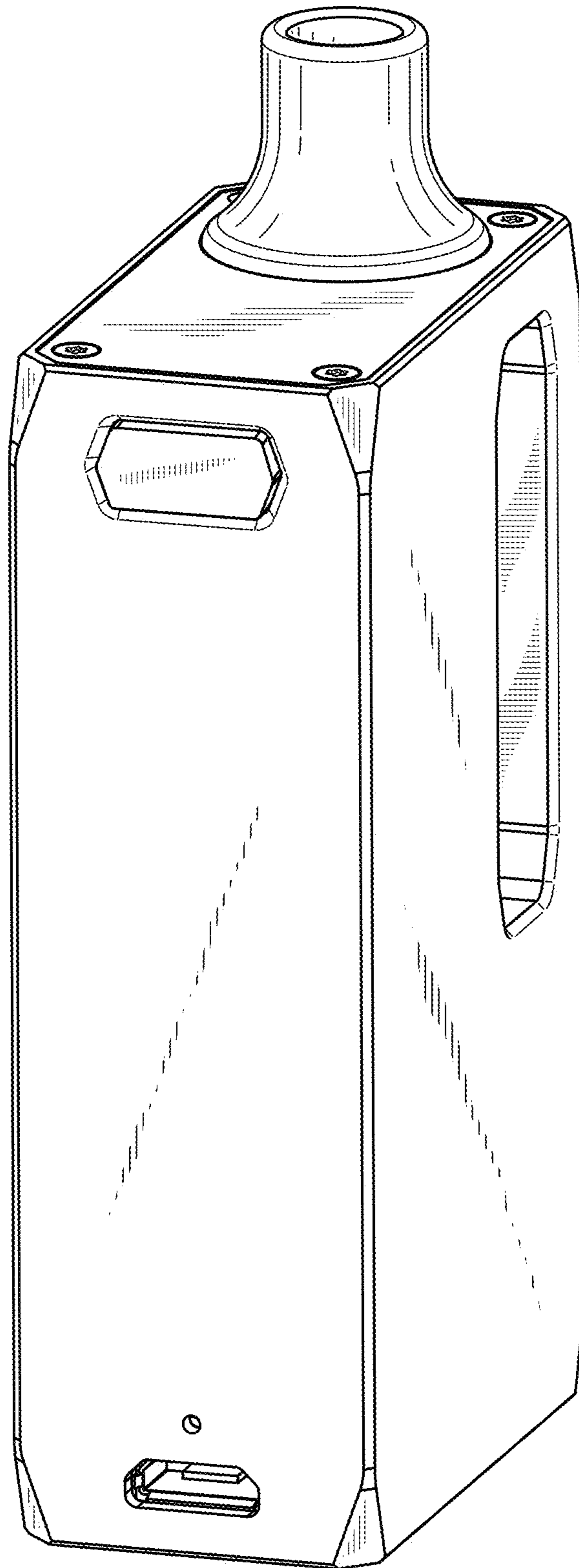


FIG. 7

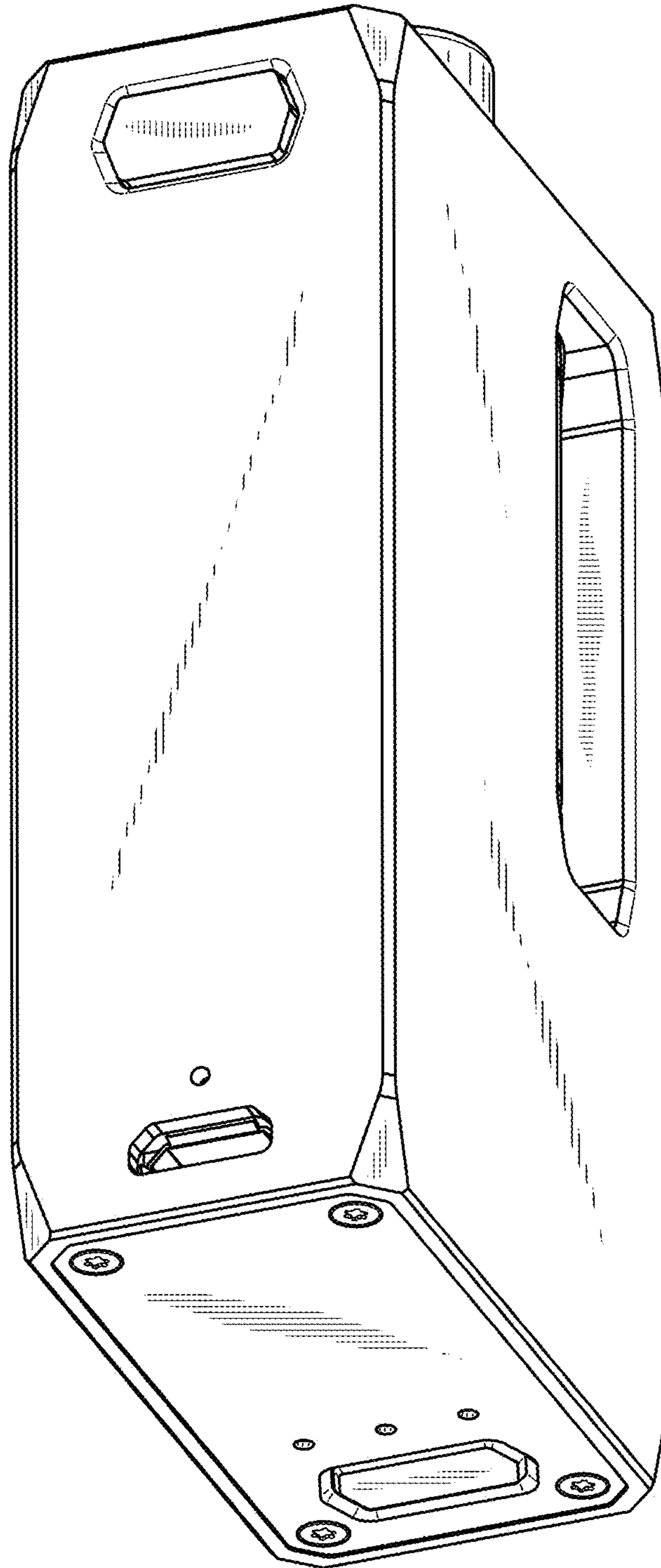


FIG. 8