



US00D910905S

(12) **United States Design Patent** (10) **Patent No.:** **US D910,905 S**
Liu (45) **Date of Patent:** **** Feb. 16, 2021**

(54) **ELECTRONIC CIGARETTE**
(71) Applicant: **Tuanfang Liu**, Shenzhen (CN)
(72) Inventor: **Tuanfang Liu**, Shenzhen (CN)
(**) Term: **15 Years**
(21) Appl. No.: **29/689,445**
(22) Filed: **Apr. 30, 2019**
(30) **Foreign Application Priority Data**

D613,396 S * 4/2010 Nakao D24/110
D698,959 S * 2/2014 Shen D26/46
D760,414 S * 6/2016 Brown D26/37
D805,666 S * 12/2017 Nguyen D26/37
D816,154 S * 4/2018 Kim D18/50
D823,382 S * 7/2018 Kim D18/50
D824,557 S * 7/2018 Waters D26/46
D833,063 S * 11/2018 Qiu D27/101
D844,873 S * 4/2019 Koshiba D26/46
D853,024 S * 7/2019 Almsberger D27/195
D860,517 S * 9/2019 Qiu D27/101
D892,064 S * 8/2020 Tang D13/168
D899,678 S * 10/2020 Liu D27/162
D900,388 S * 10/2020 Liu D27/162

(Continued)

Nov. 12, 2018 (CN) 201830637445.X

(51) **LOC (13) Cl.** **27-02**
(52) **U.S. Cl.**
USPC **D27/162**
(58) **Field of Classification Search**
USPC D27/162, 100, 101, 139, 141, 148,
D27/161-171, 183, 185-193, 194;
D24/110, 110.5, 129, 113, 112; D13/108,
D13/144, 103, 119, 146, 168; D23/360,
D23/364-366; D19/163, 161; D14/434,
D14/480.5, 480.1, 480.3, 483, 484.1;
D4/121
CPC A24F 40/00; A24F 40/40; A24F 40/42;
A24F 40/05; A24F 40/46; A24F 47/002;
A24F 47/008; A24D 1/14; A24D 1/042;
A24D 1/02; G06F 3/03545
See application file for complete search history.

FOREIGN PATENT DOCUMENTS

CN 304785113 * 8/2018
EM 006402517-0001 * 5/2019
EM 006610200-0001 * 7/2019

Primary Examiner — George D. Kirschbaum
Assistant Examiner — Mary Claire Ramirez
(74) *Attorney, Agent, or Firm* — Matthias Scholl P.C.;
Matthias Scholl

(57) **CLAIM**

The ornamental design for an electronic cigarette, as shown and described.

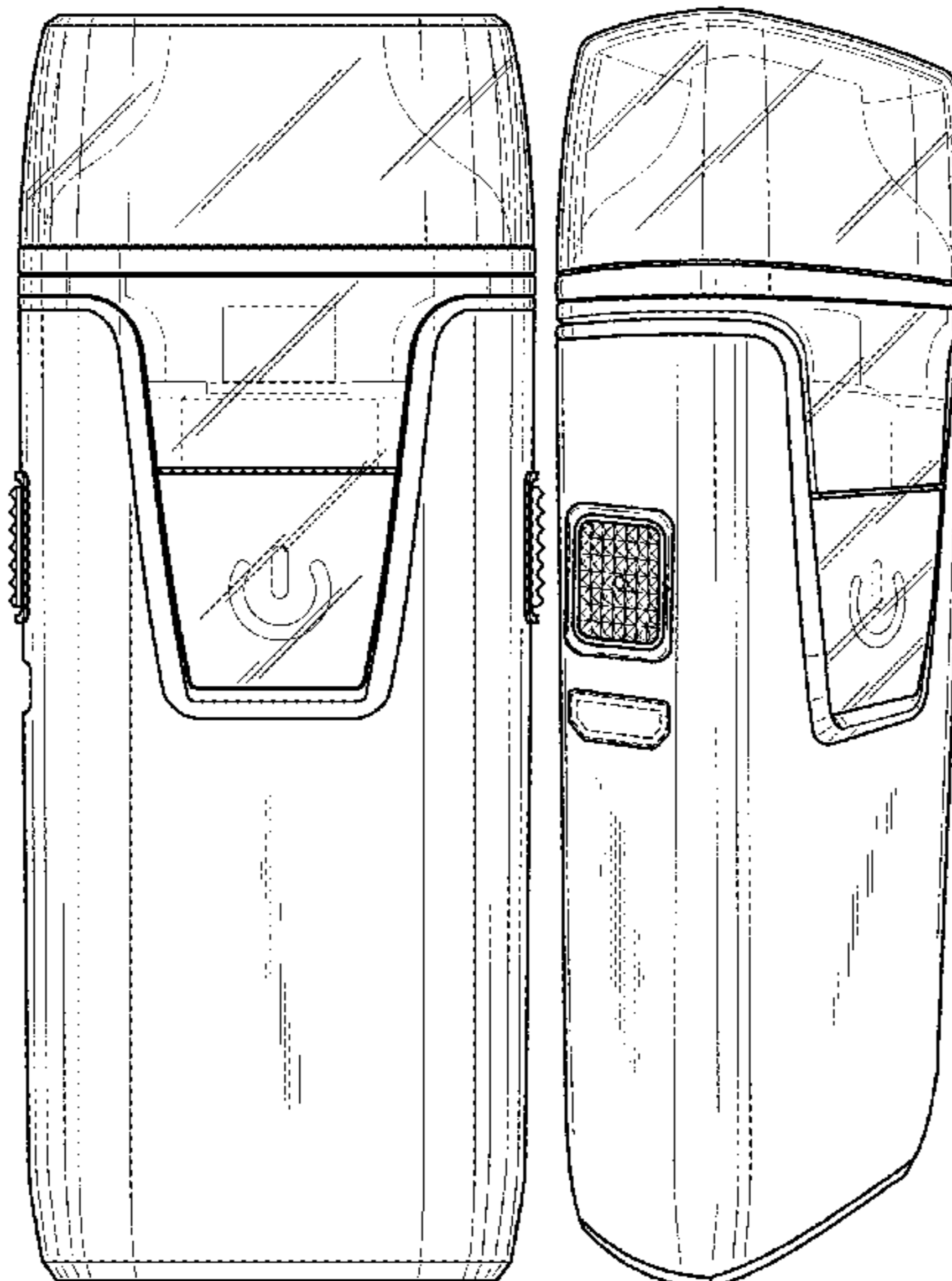
DESCRIPTION

FIG. 1 is a front elevation view of an electronic cigarette; FIG. 2 is a rear elevation view thereof; FIG. 3 is a left-side elevation view thereof; FIG. 4 is a right-side elevation view thereof; FIG. 5 is a top plan view thereof; FIG. 6 is a bottom plan view thereof; and, FIG. 7 is a perspective view thereof. The broken lines in the drawings depict portions of the electronic cigarette that form no part of the claimed design.

(56) **References Cited**
U.S. PATENT DOCUMENTS

4,652,163 A * 3/1987 Karliner A47L 13/03
401/123
D399,130 S * 10/1998 Monaghan D9/686
D417,019 S * 11/1999 Rachwal D26/37
D477,432 S * 7/2003 Parsons D26/37
D597,690 S * 8/2009 Yamamoto D26/37
D613,395 S * 4/2010 Nakao D24/110

1 Claim, 7 Drawing Sheets



(56)

References Cited

U.S. PATENT DOCUMENTS

2017/0354182 A1* 12/2017 Liu A24F 47/008
2018/0020738 A1* 1/2018 Qiu A24F 47/008
131/329
2019/0008208 A1* 1/2019 Cirillo A24F 7/04
2019/0111219 A1* 4/2019 Campos A61M 15/0003
2019/0133191 A1* 5/2019 Qiu A24F 47/008
2019/0289911 A1* 9/2019 Liu A61M 15/06
2019/0289912 A1* 9/2019 Liu A24F 7/00

* cited by examiner

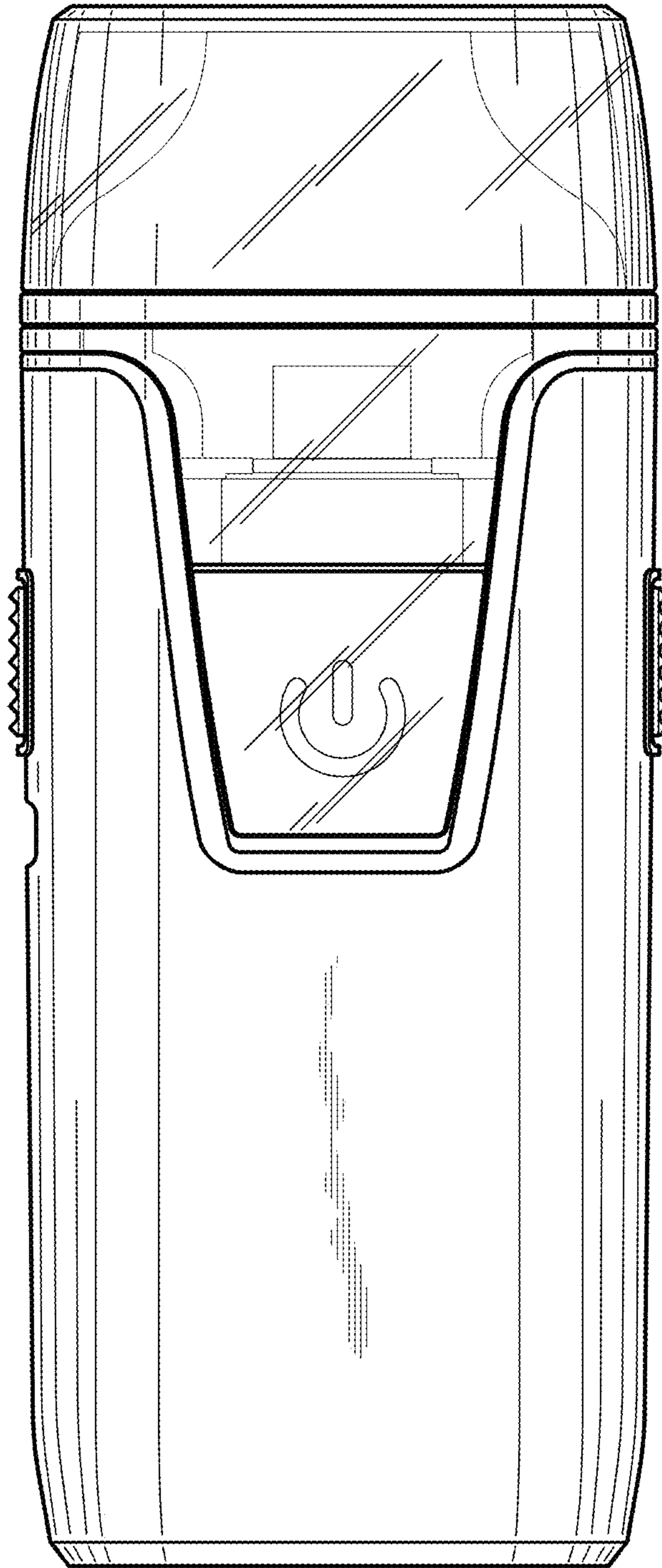


FIG. 1

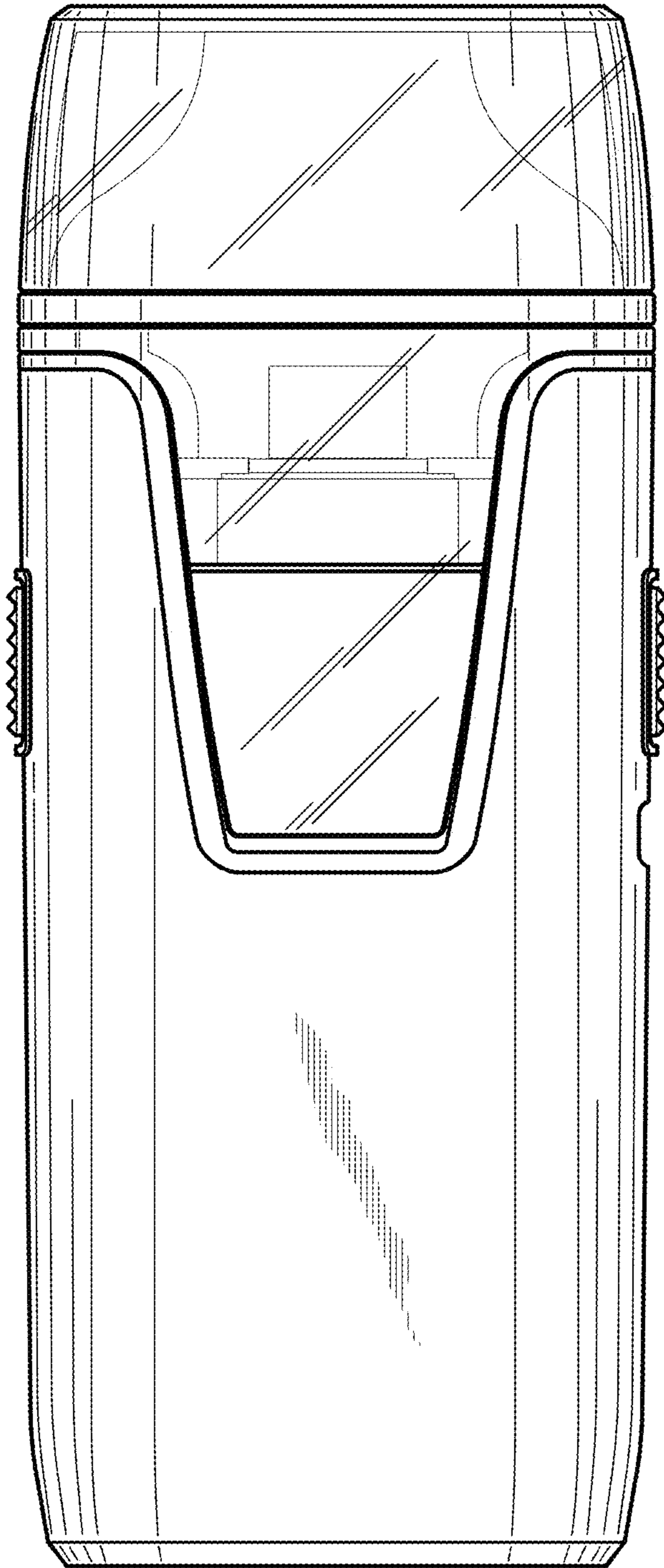


FIG. 2

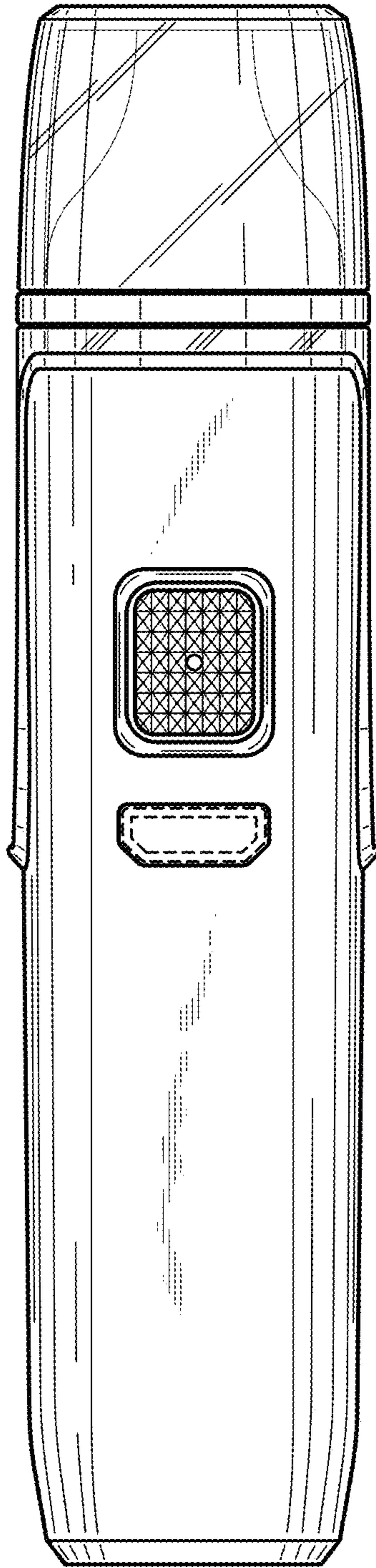


FIG. 3

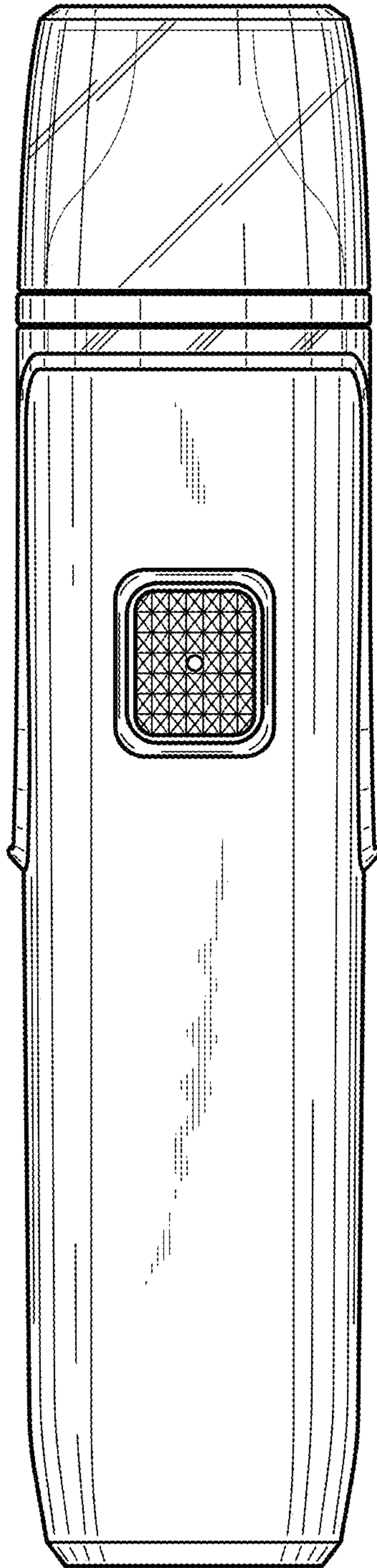


FIG. 4

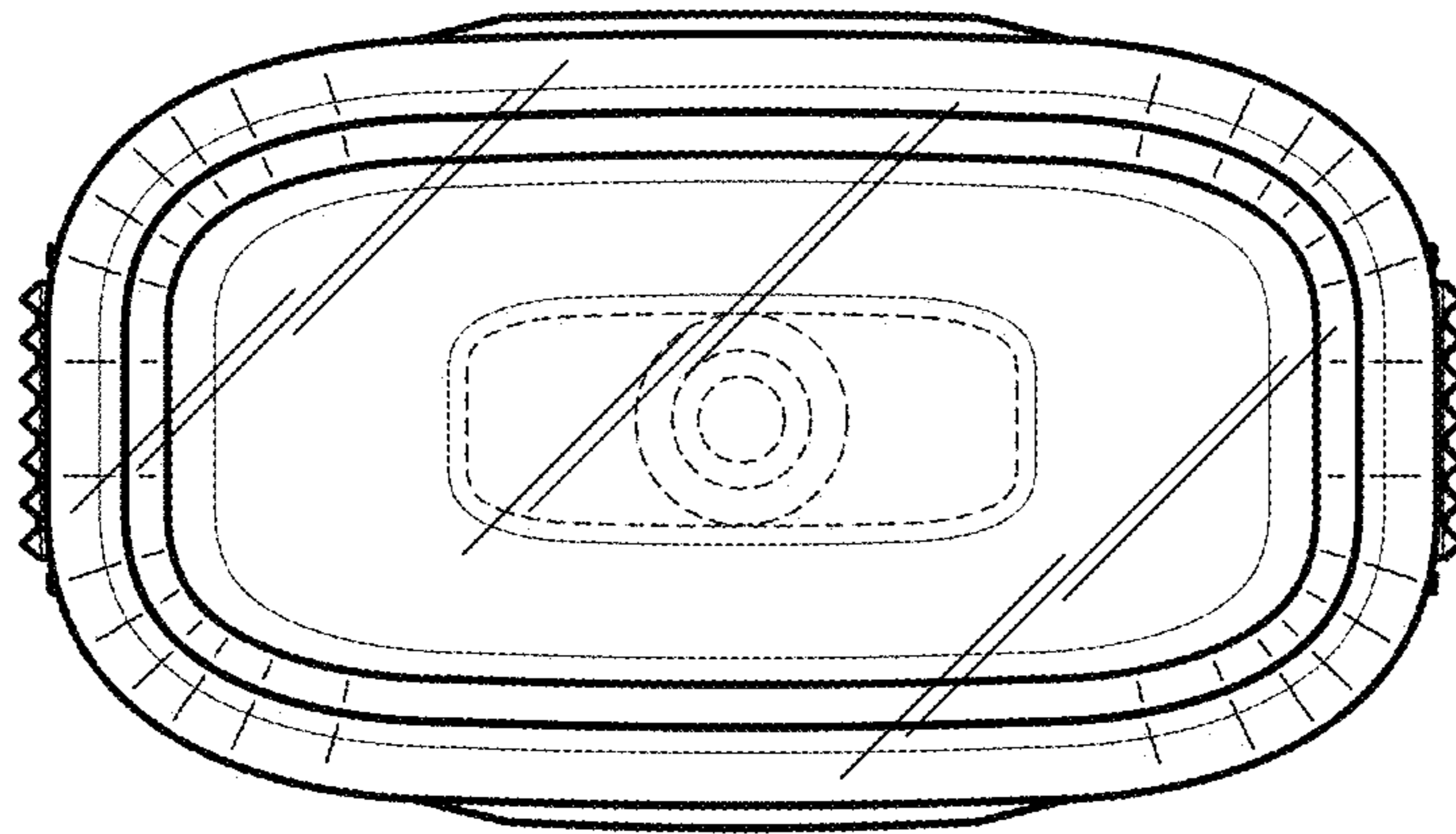


FIG. 5

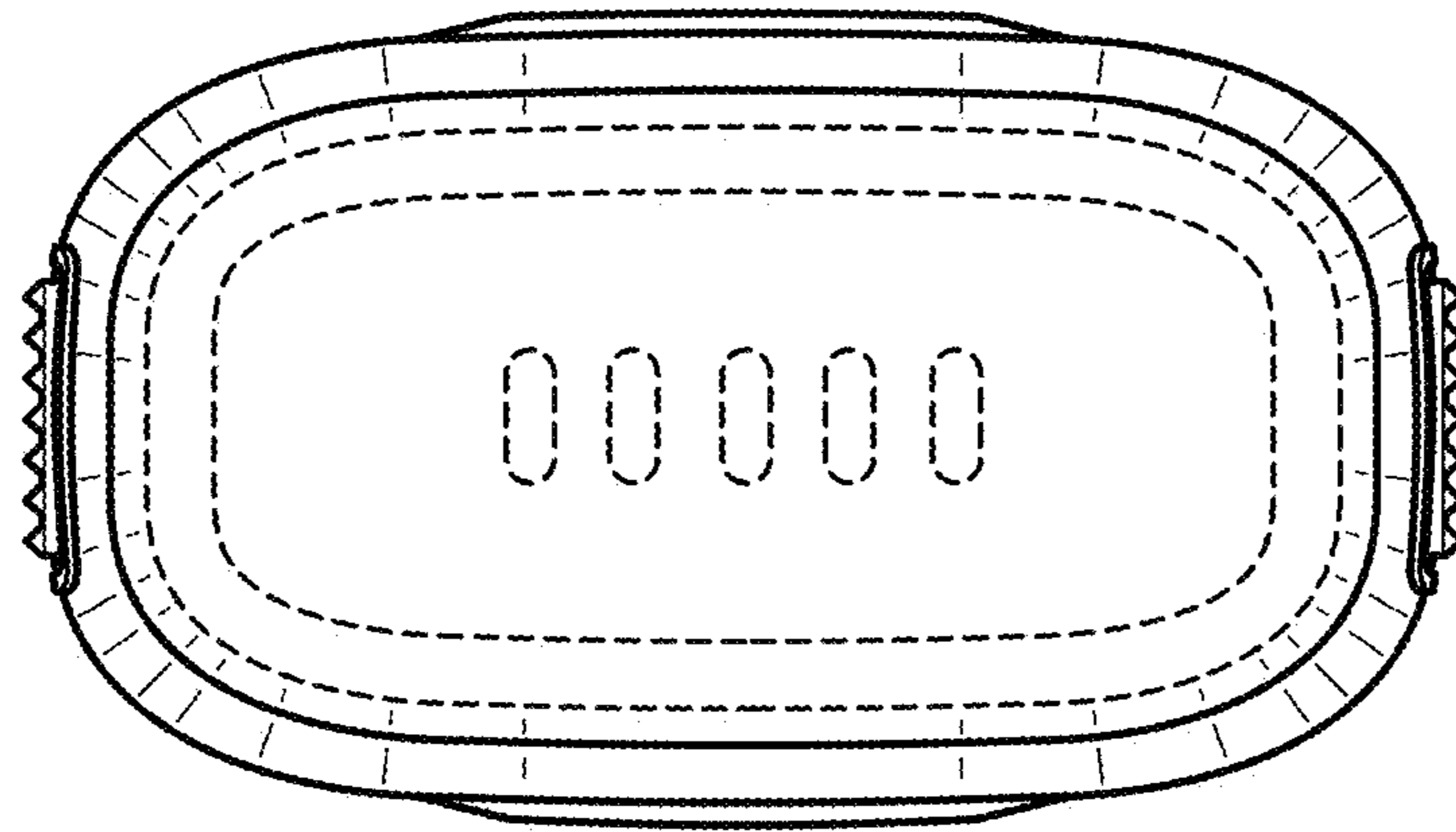


FIG. 6

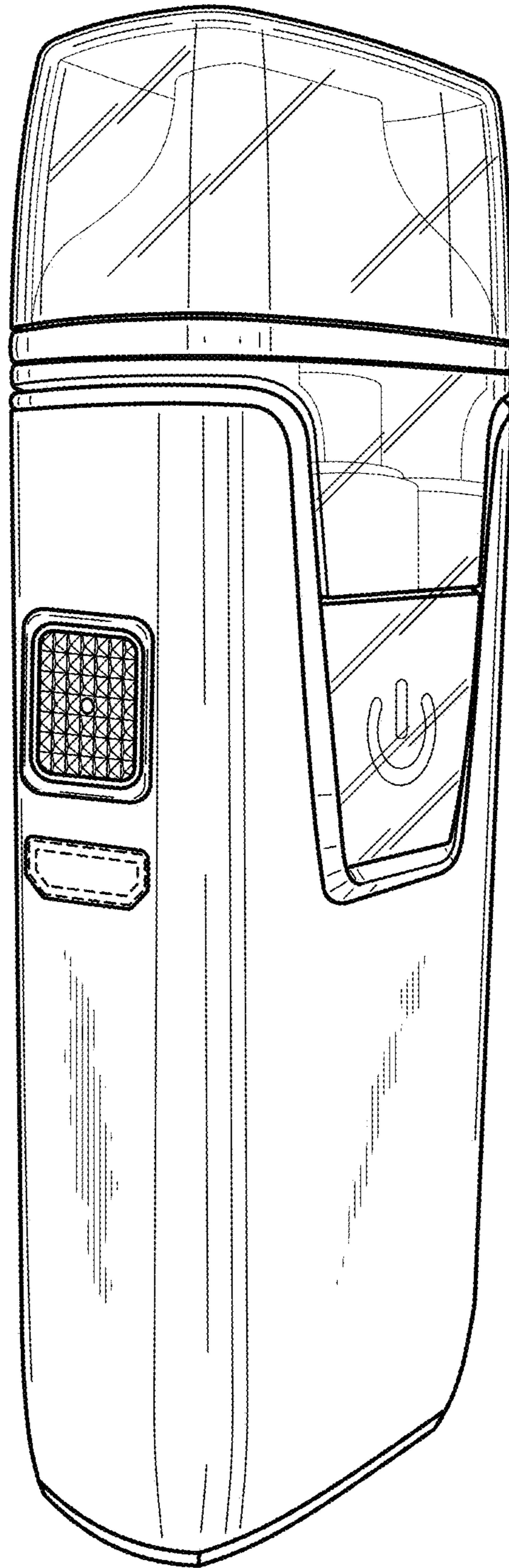


FIG. 7