



US00D910900S

(12) **United States Design Patent**
Cheng

(10) **Patent No.:** **US D910,900 S**

(45) **Date of Patent:** **** Feb. 16, 2021**

(54) **DOG SHAPED LIGHT WITH SPEAKER**

(71) Applicant: **SHENZHEN GODO CULTURAL ORIGINALITY CO., LTD.**, Shenzhen (CN)

(72) Inventor: **Lin Cheng**, Shenzhen (CN)

(73) Assignee: **SHENZHEN GODO CULTURAL ORIGINALITY CO., LTD.**, Shenzhen (CN)

(**) Term: **15 Years**

(21) Appl. No.: **29/756,054**

(22) Filed: **Oct. 26, 2020**

(51) **LOC (13) Cl.** **26-03**

(52) **U.S. Cl.**
USPC **D26/98**

(58) **Field of Classification Search**
USPC D26/98, 38; D11/158; D21/405, 611
CPC F21W 2121/00
See application file for complete search history.

(56) **References Cited**

U.S. PATENT DOCUMENTS

D457,203 S * 5/2002 Onishi D21/611
D468,374 S * 1/2003 So D21/611
6,887,120 B2 * 5/2005 Shamitoff A63H 3/46
24/662

D544,133 S * 6/2007 Kovac D26/98
D559,476 S * 1/2008 Rutherford D21/611
D733,349 S * 6/2015 Kim D26/98
D746,502 S * 12/2015 Kovac D26/98
D746,507 S * 12/2015 Kovac D26/98
D819,596 S 6/2018 Sun
D827,391 S * 9/2018 Summer D21/611
D847,115 S 4/2019 Li
D848,549 S * 5/2019 Cummings D21/611
D882,000 S * 4/2020 Tompkin D21/611

* cited by examiner

Primary Examiner — Brian N. Vinson

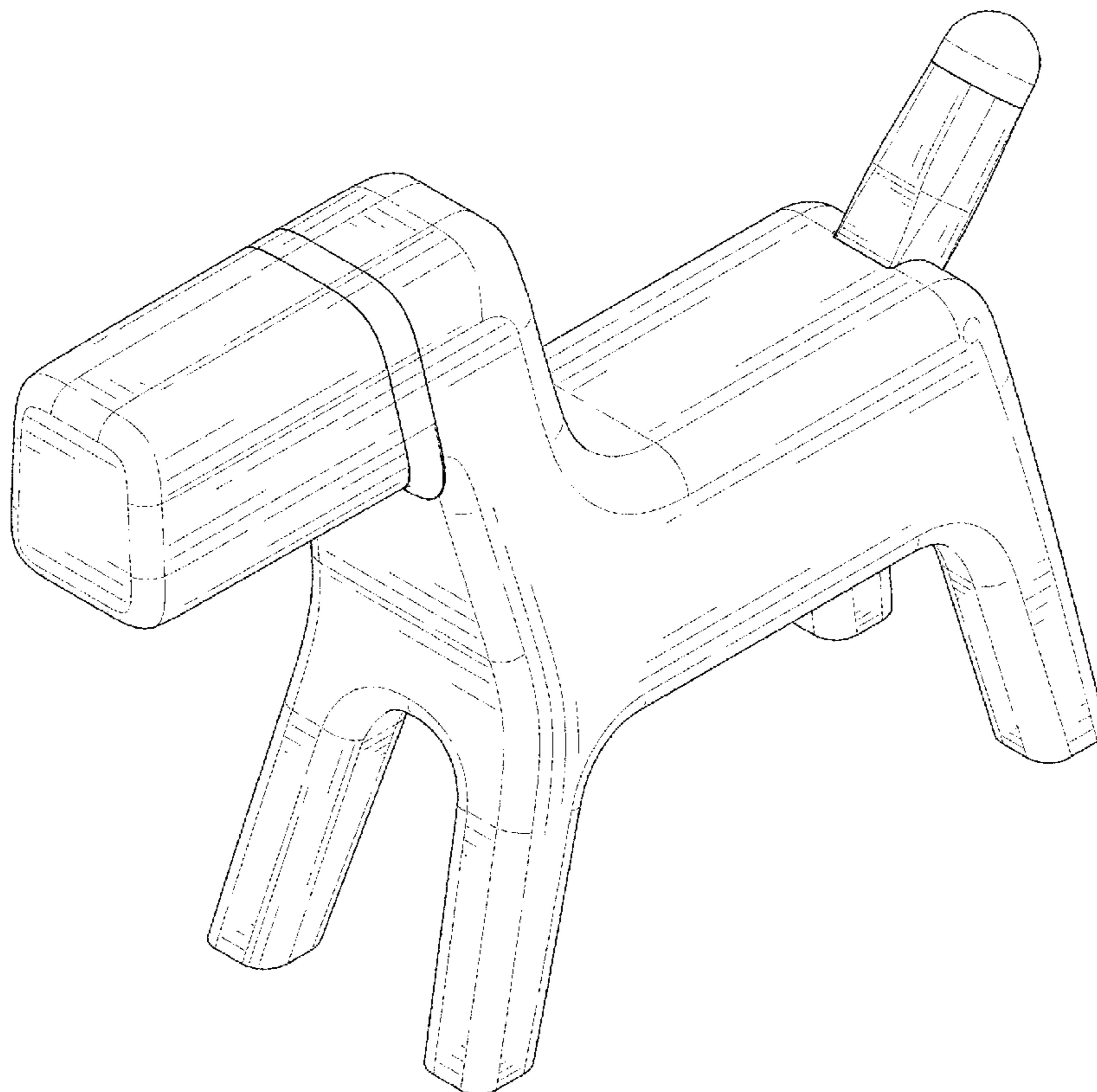
(57) **CLAIM**

The ornamental design for a dog shaped light with speaker, as shown and described.

DESCRIPTION

FIG. 1 is a perspective view of a dog shaped light with speaker showing my new design;
FIG. 2 is another perspective view thereof;
FIG. 3 is a front elevational view thereof;
FIG. 4 is a rear elevational view thereof;
FIG. 5 is a left side elevational view thereof;
FIG. 6 is a right side elevational view thereof;
FIG. 7 is a top plan view thereof; and,
FIG. 8 is a bottom plan view thereof.
The broken lines in the drawings depict portions of the dog shaped light with speaker that form no part of the claimed design.

1 Claim, 8 Drawing Sheets



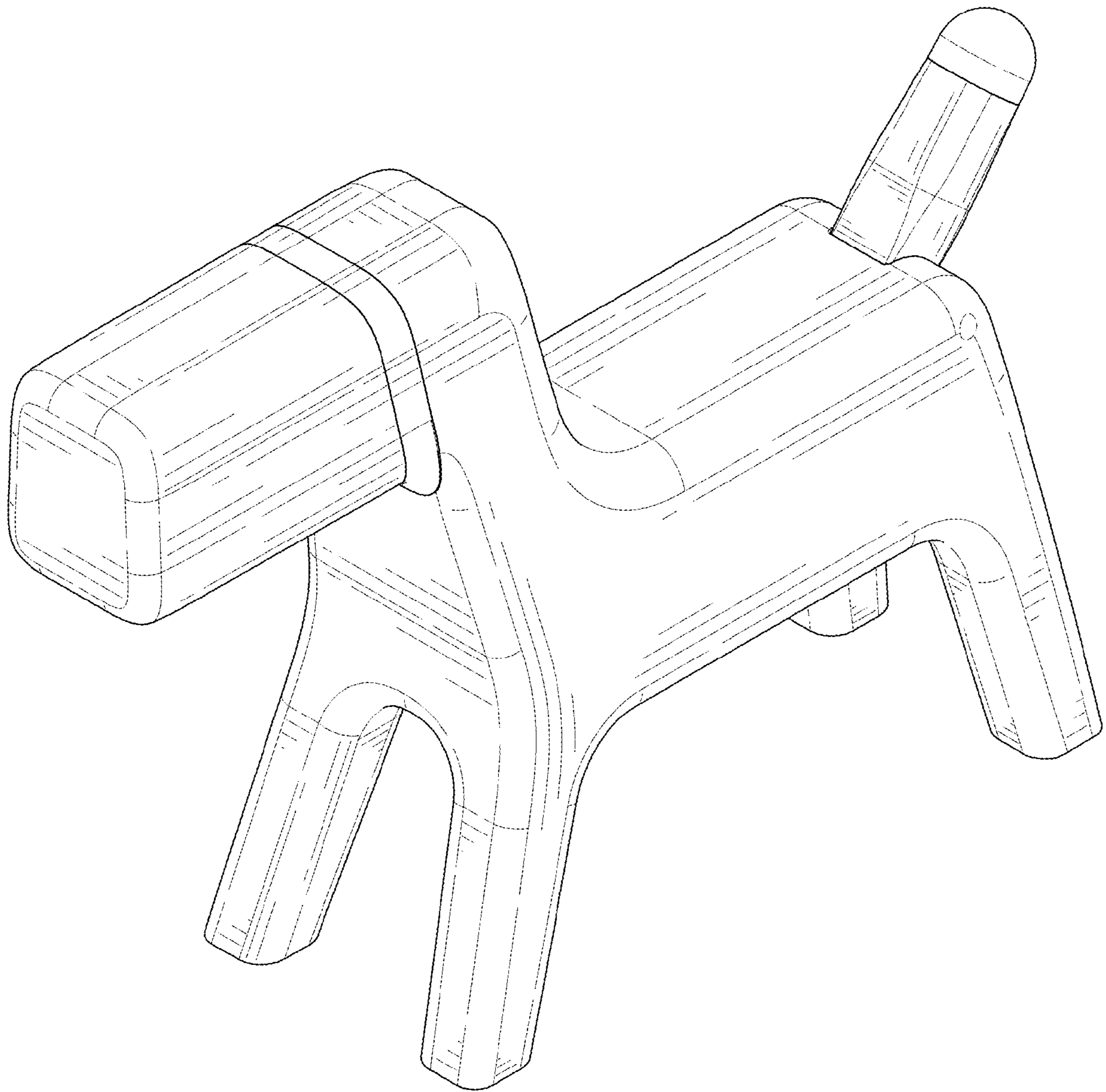


FIG. 1

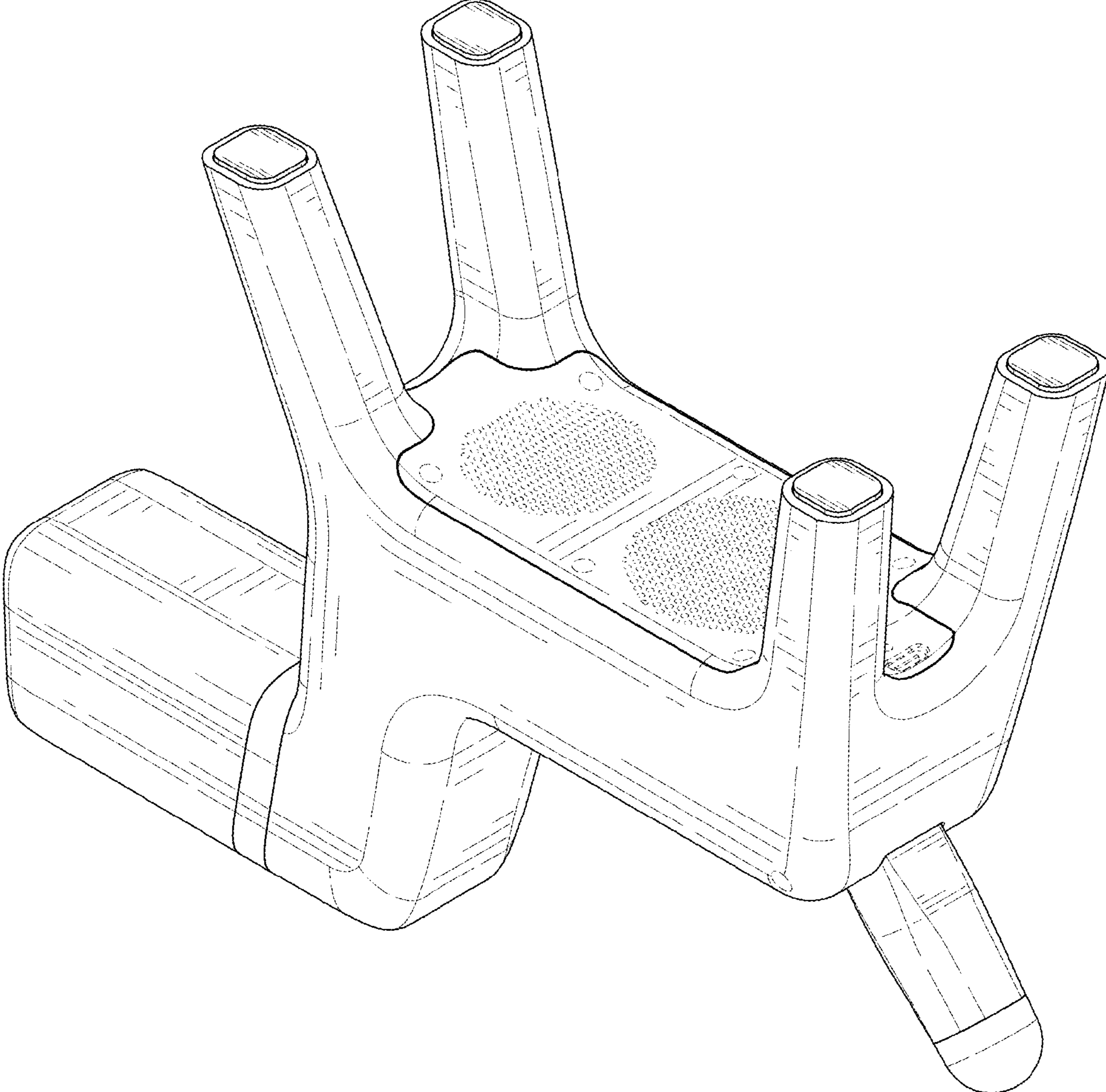


FIG. 2

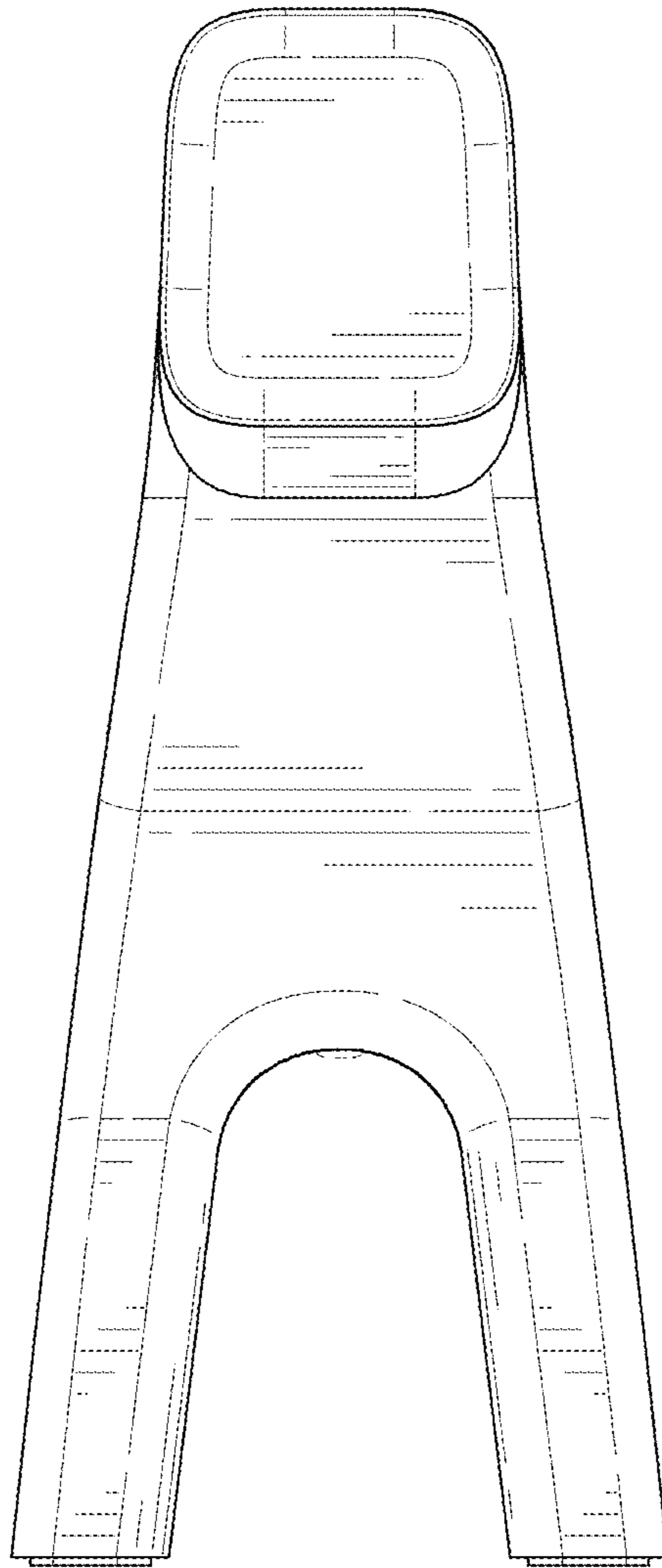


FIG. 3

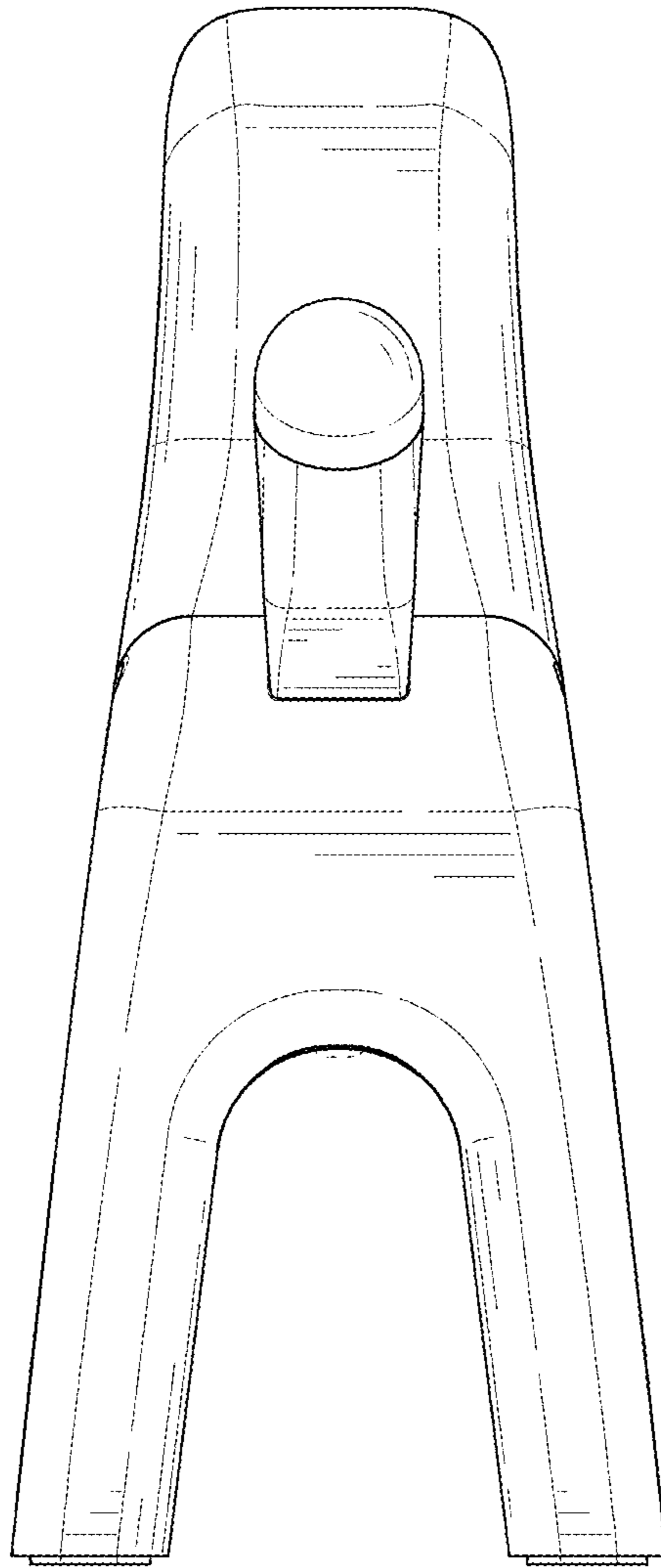


FIG. 4

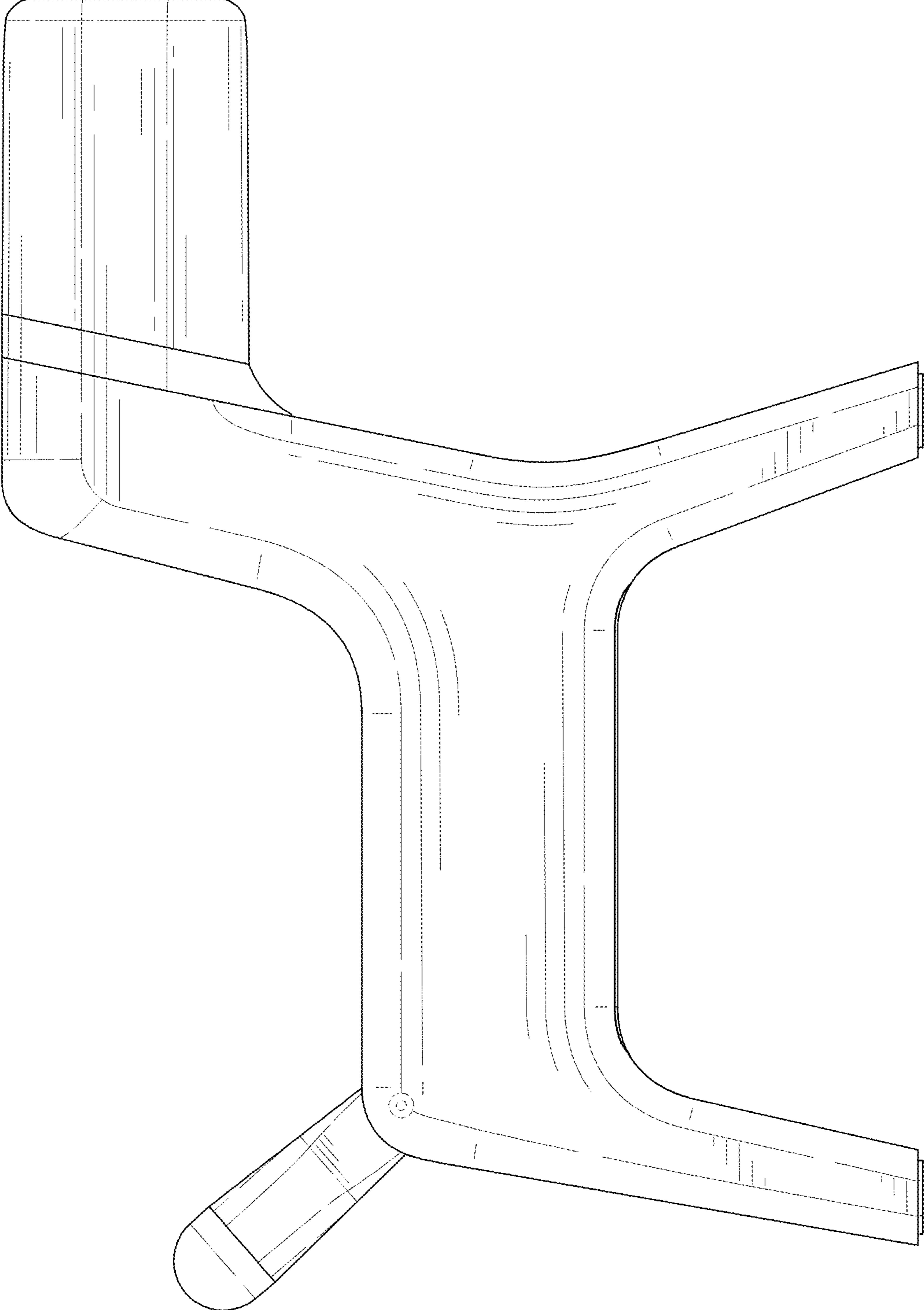


FIG. 5

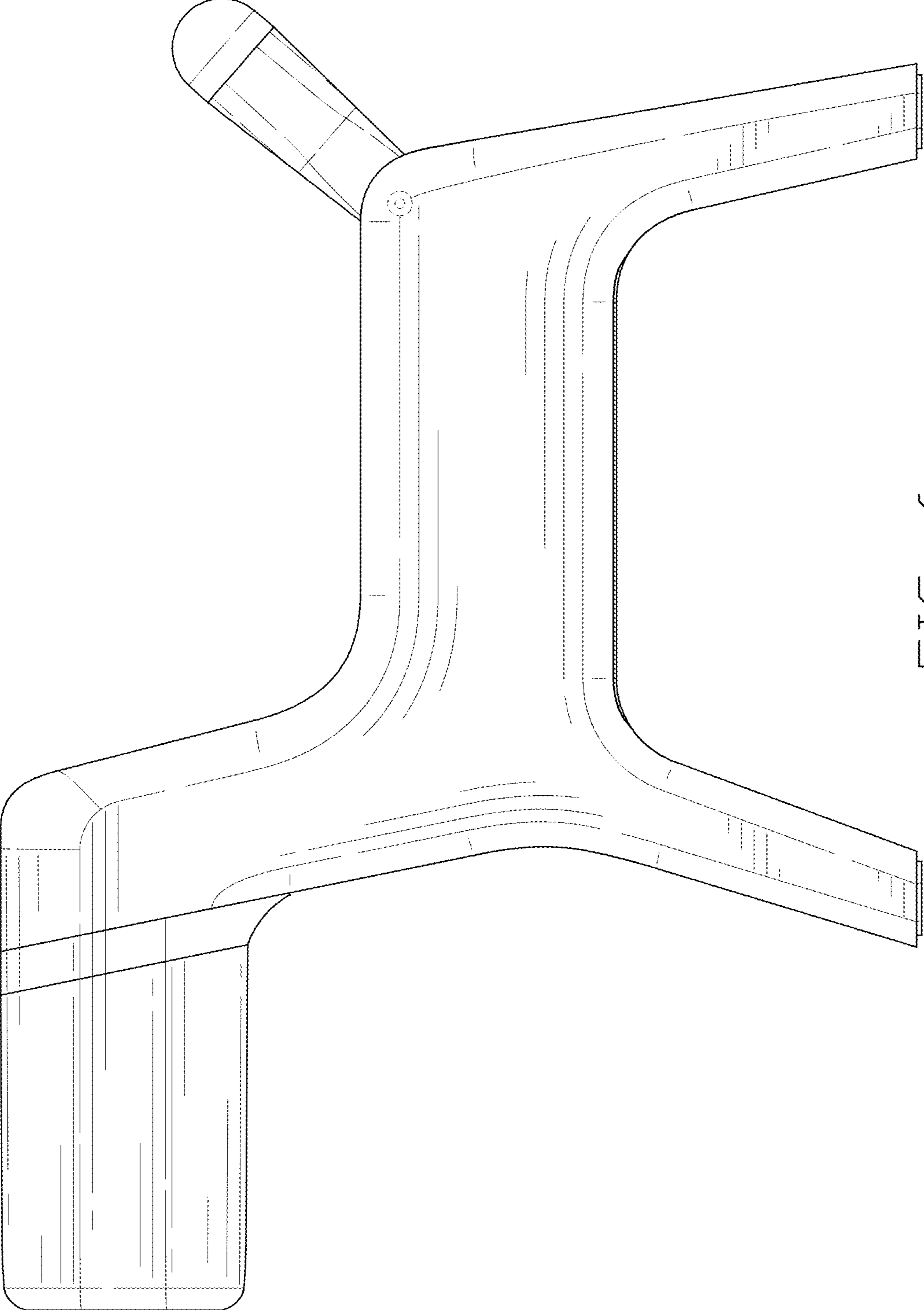


FIG. 6

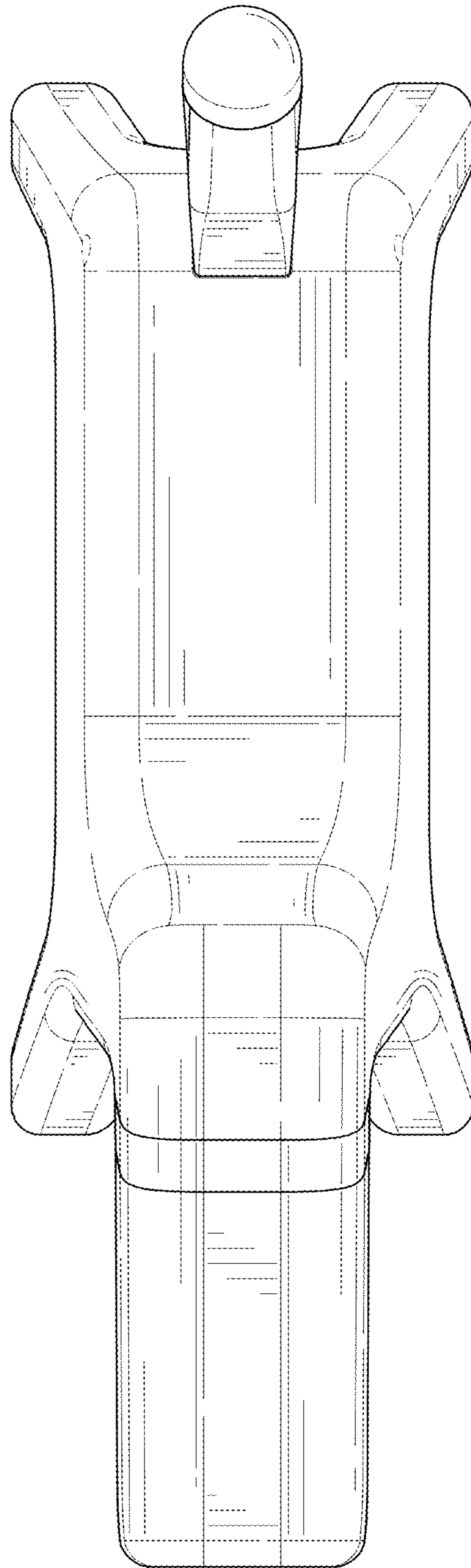


FIG. 7

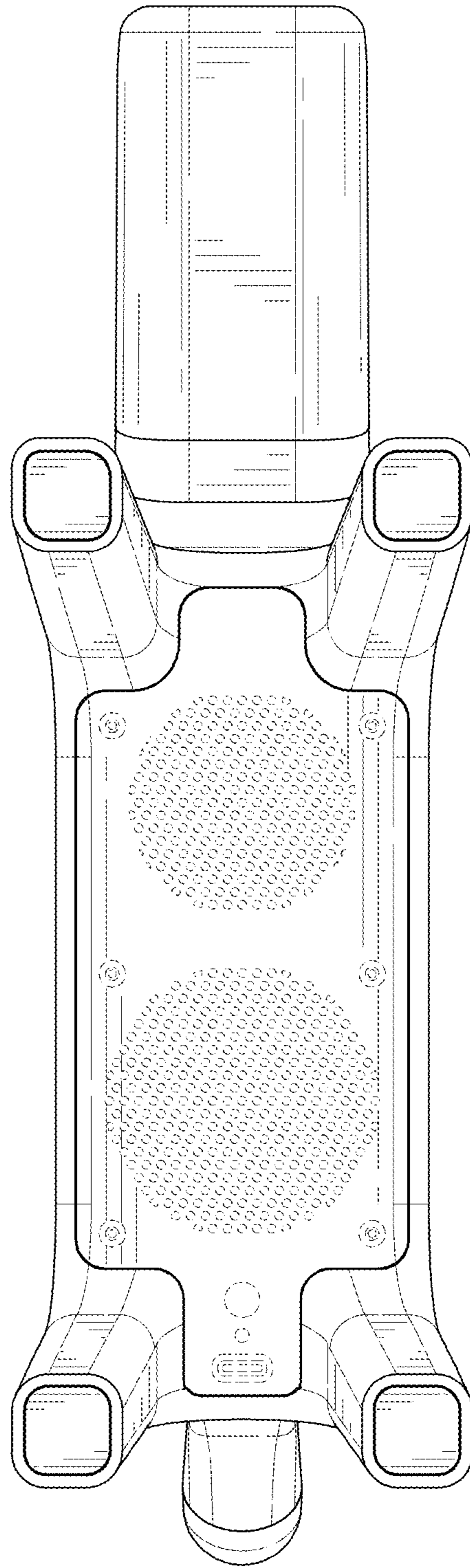


FIG. 8